



US00D647477S

(12) **United States Design Patent**
Lin

(10) **Patent No.:** **US D647,477 S**

(45) **Date of Patent:** **** Oct. 25, 2011**

(54) **MAGLEV WIND POWER GENERATOR**

(75) Inventor: **Wenqi Lin**, Shenzhen (CN)

(73) Assignee: **Shenzhen Taima Wind Energy and Luminous Energy Technology Co., Ltd.**, Shenzhen (CN)

(**) Term: **14 Years**

(21) Appl. No.: **29/381,894**

(22) Filed: **Dec. 24, 2010**

(51) **LOC (9) Cl.** **13-01**

(52) **U.S. Cl.** **D13/115**

(58) **Field of Classification Search** D13/115,
D13/101, 118, 199; D15/1, 199; 290/54,
290/55; 415/56.3, 191, 208.1, 209.4, 916;
416/37, 38, 44, 132 B, 141, 142, 176, 177,
416/196 A

See application file for complete search history.

(56) **References Cited**

U.S. PATENT DOCUMENTS

D243,408 S * 2/1977 McAllister D13/115
4,247,253 A * 1/1981 Seki et al. 416/44

4,525,124 A * 6/1985 Watson et al. 416/132 B
D305,419 S * 1/1990 Korneski D13/115
D511,323 S * 11/2005 Kato et al. D13/115
D511,495 S * 11/2005 Okubo et al. D13/115
D560,161 S * 1/2008 Martinez D13/115
D591,234 S * 4/2009 Unno D13/115

* cited by examiner

Primary Examiner — Stella Reid

Assistant Examiner — Derrick Holland

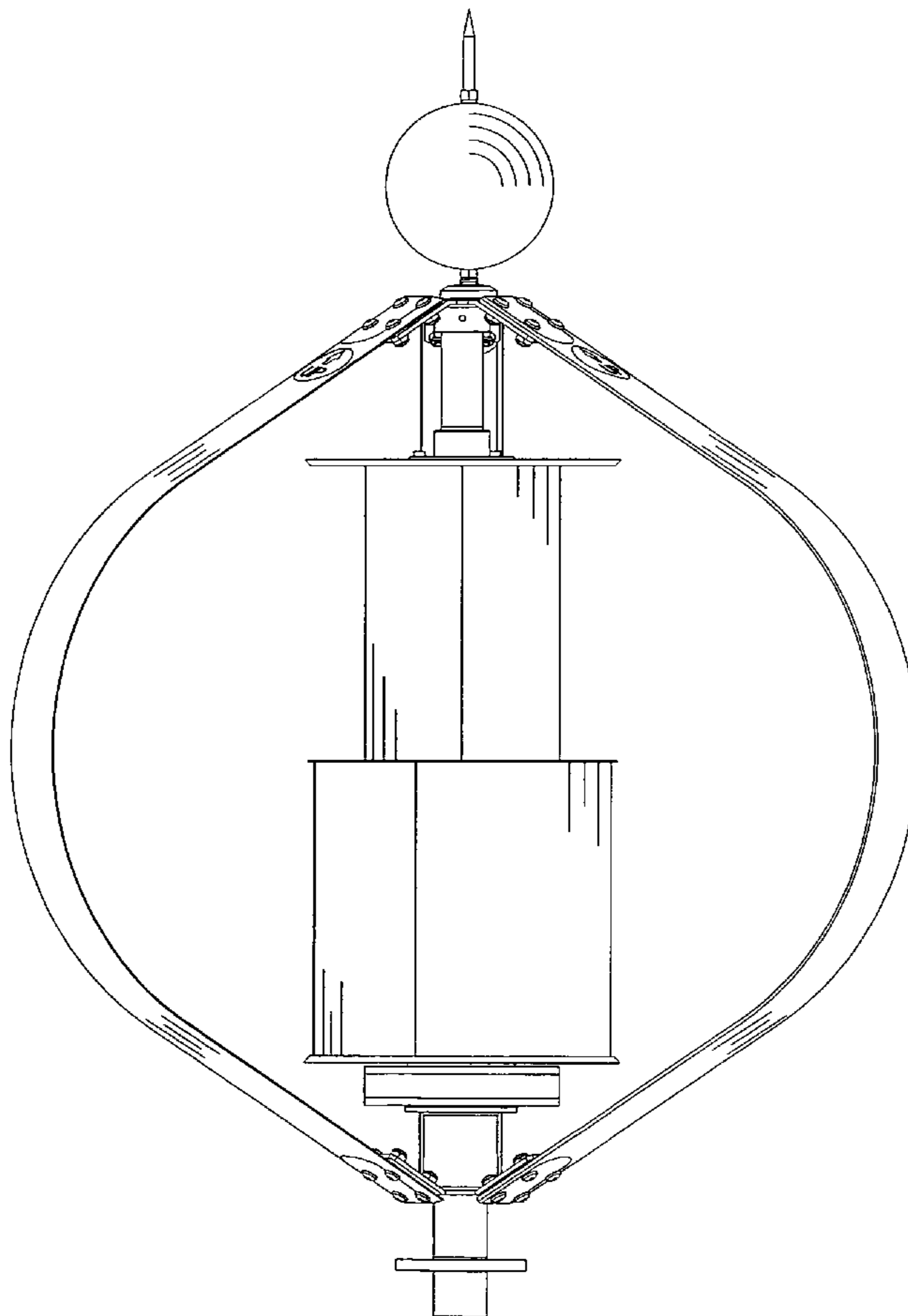
(57) **CLAIM**

The ornamental design for a maglev wind power generator, as shown and described.

DESCRIPTION

FIG. 1 is a front elevational view of a maglev wind power generator showing my new design; FIG. 2 is a rear elevational view thereof; FIG. 3 is a left side view thereof; FIG. 4 is a right side view thereof; FIG. 5 is a top plan view thereof; and, FIG. 6 is a bottom plan view thereof. The broken lines shown form no part of the claimed design.

1 Claim, 6 Drawing Sheets



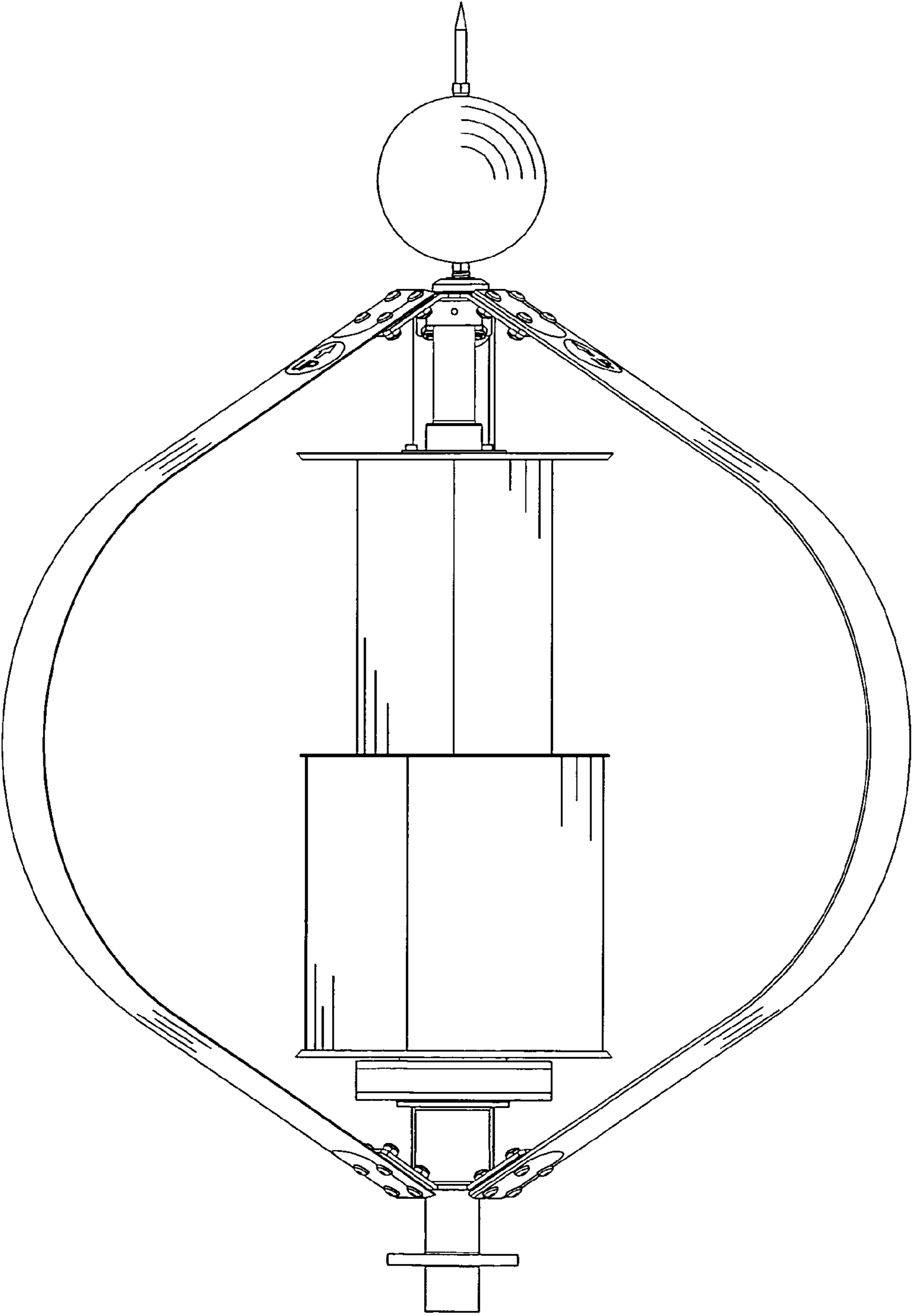


FIG. 1

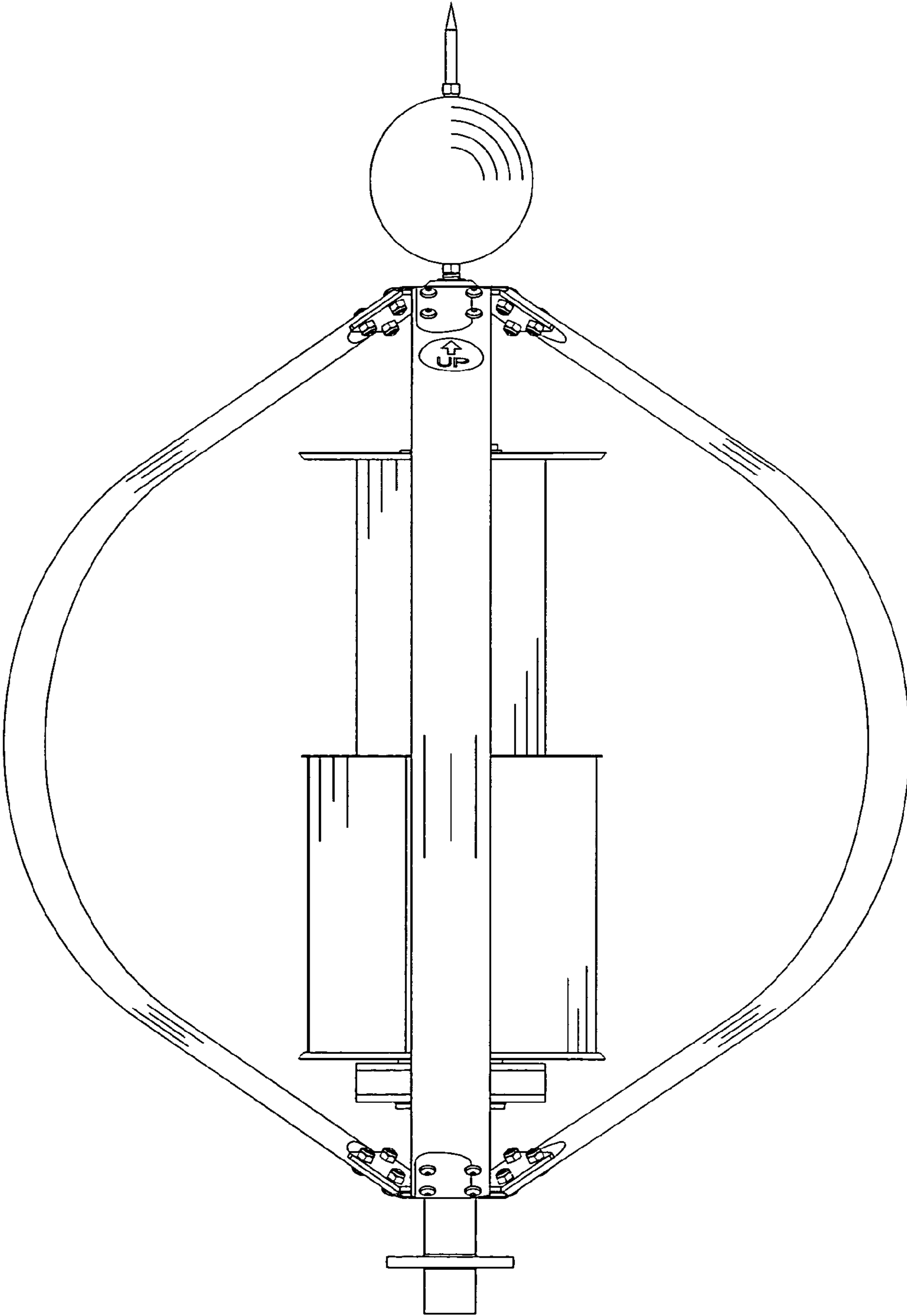


FIG. 2

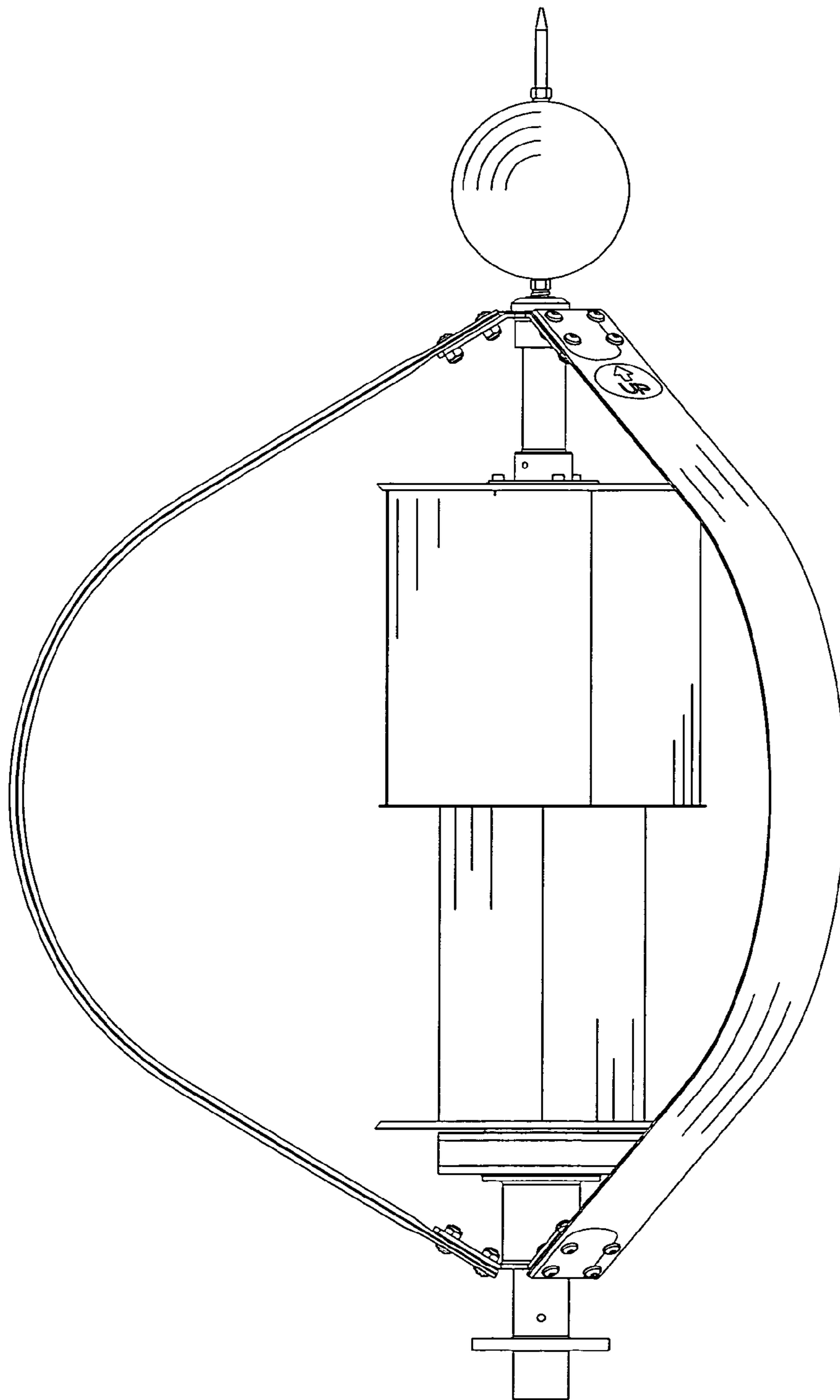


FIG. 3

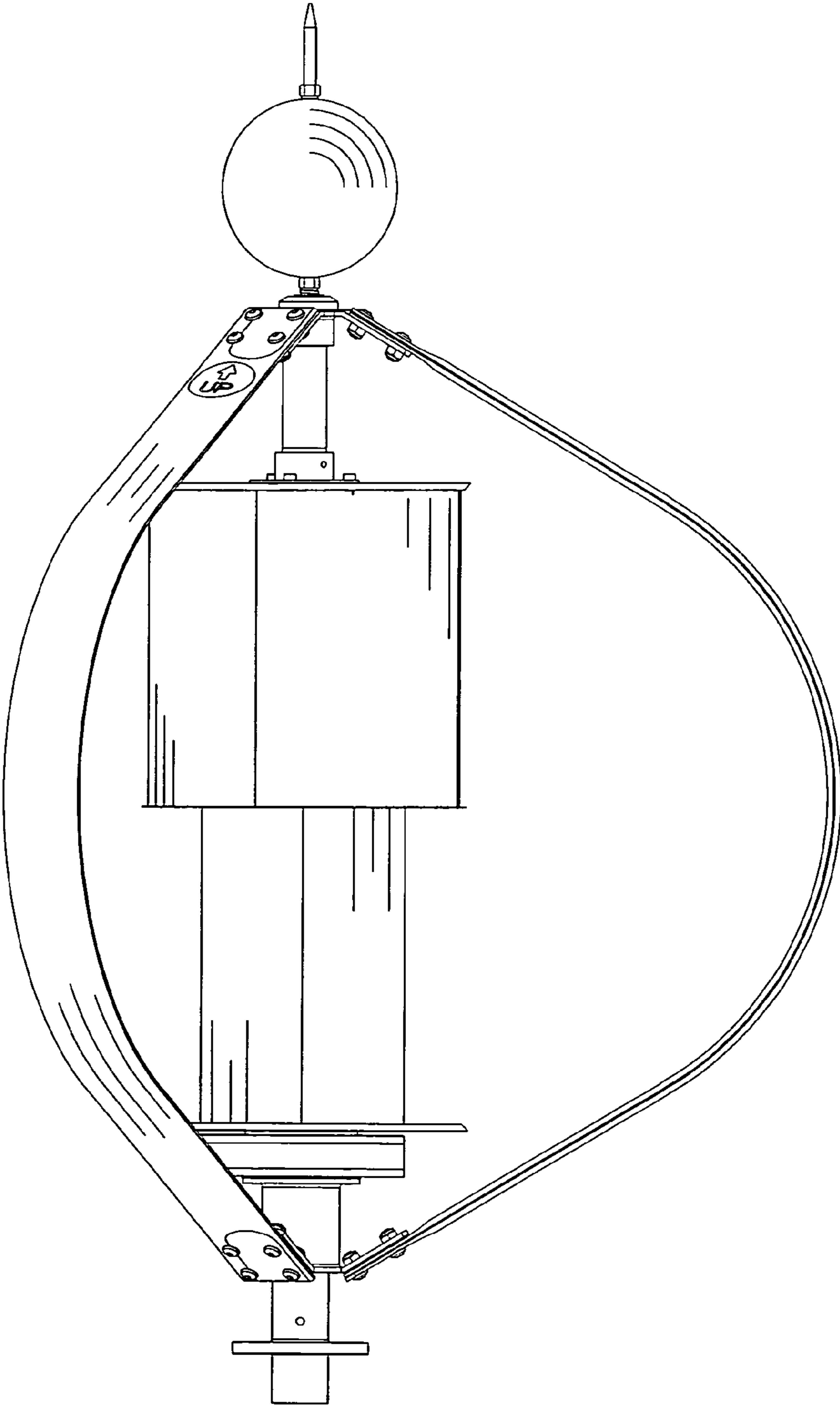


FIG. 4

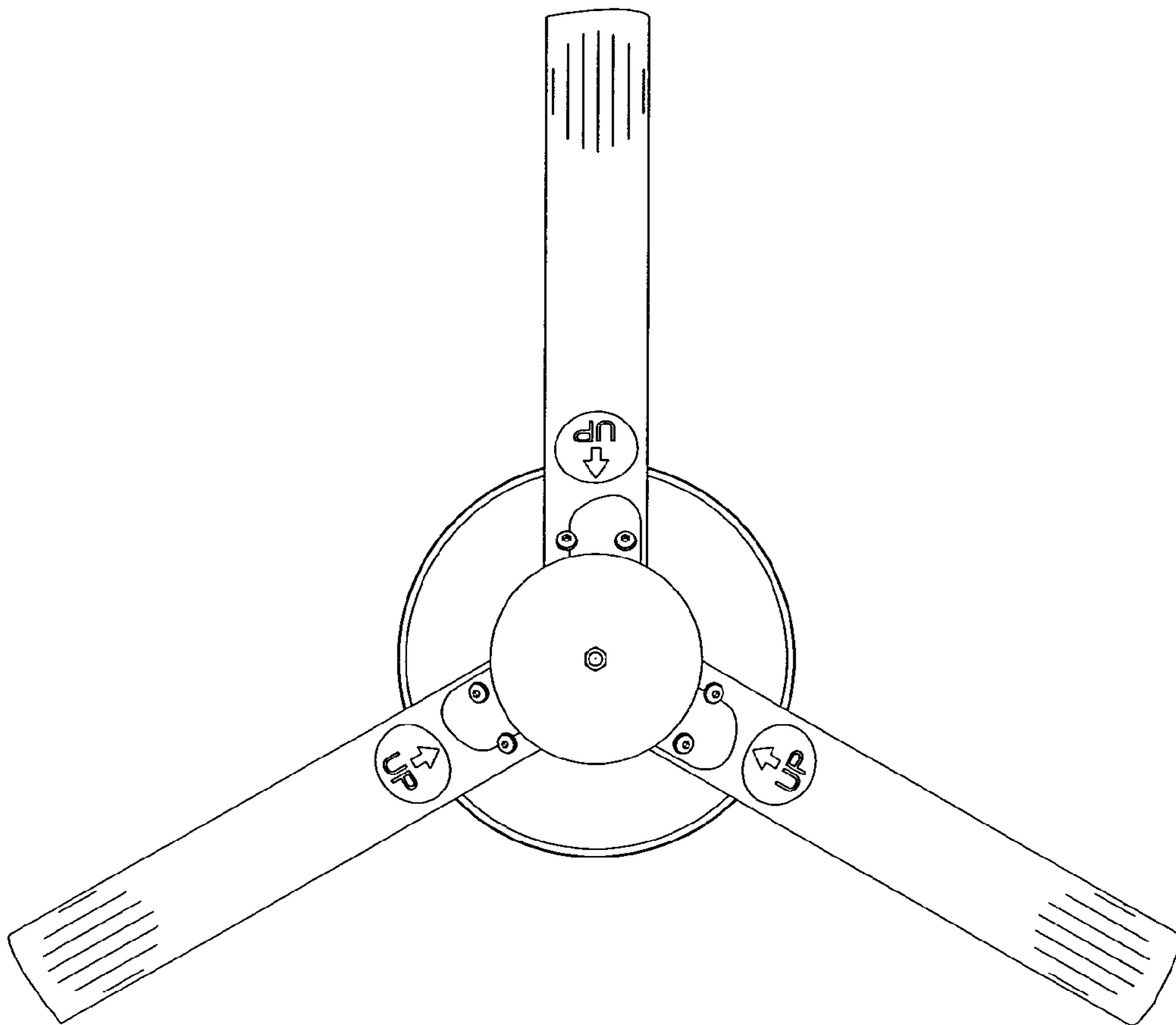


FIG. 5

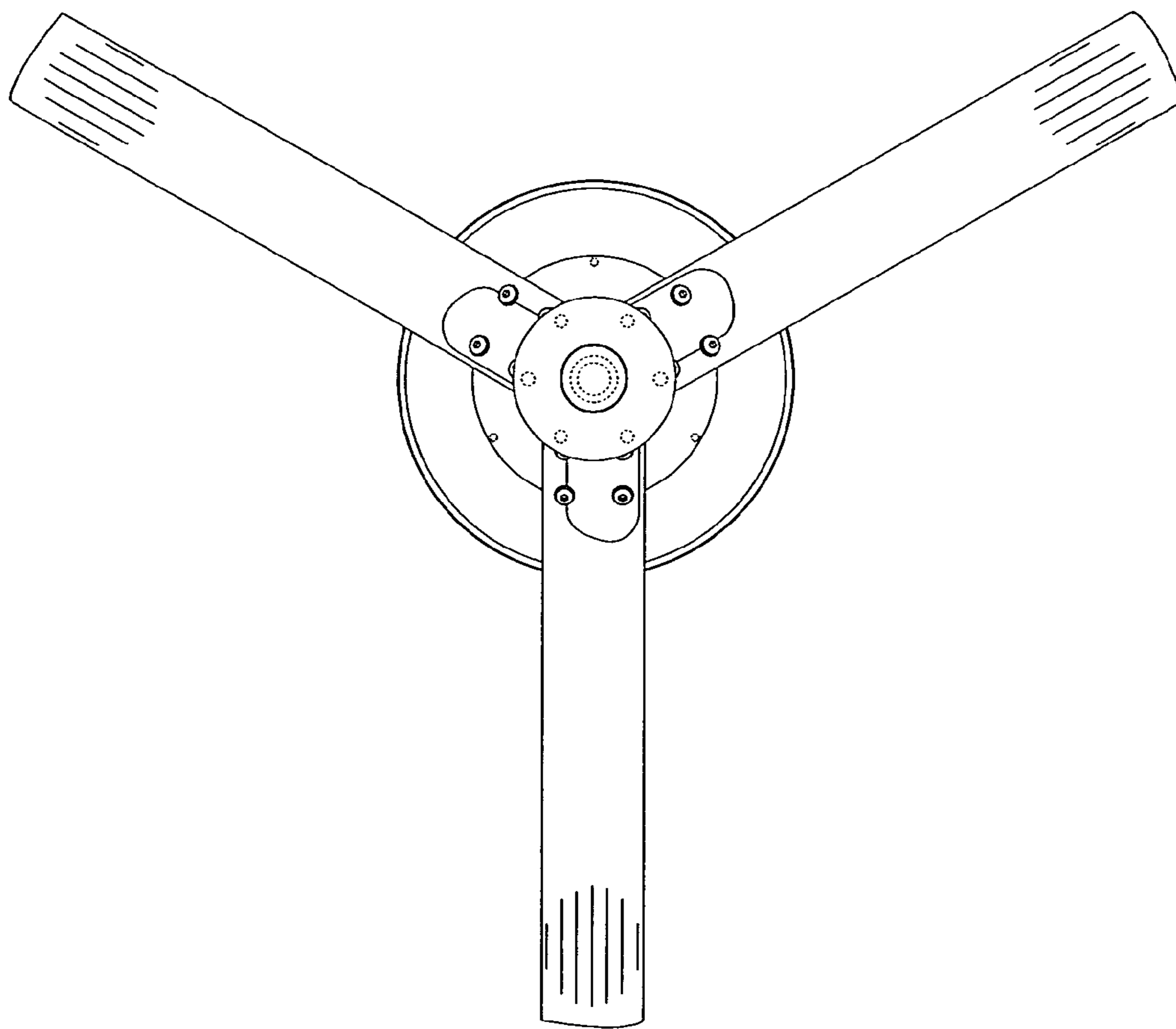


FIG. 6