



US00D647476S

(12) **United States Design Patent**
Ciou

(10) **Patent No.:** **US D647,476 S**

(45) **Date of Patent:** **** Oct. 25, 2011**

(54) **POWER ADAPTER**

(75) Inventor: **Chuei-Hang Ciou**, Taoyuan County (TW)

(73) Assignee: **Asian Power Devices Inc.**, Taoyuan County (TW)

(**) Term: **14 Years**

(21) Appl. No.: **29/392,826**

(22) Filed: **May 26, 2011**

(30) **Foreign Application Priority Data**

Mar. 14, 2011 (TW) 100301202

(51) **LOC (9) Cl.** **13-02**

(52) **U.S. Cl.** **D13/110**

(58) **Field of Classification Search** D13/110,
D13/107, 108, 123, 133, 137.1, 138.1, 199;
D9/414, 423, 424, 426, 432; D10/72, 74;
D28/78, 83; 174/53, 54, 59, 61; 307/150,
307/151; 320/111, 114; 363/132, 140, 142,
363/143, 146; 439/105, 131, 166, 171-173,
439/218, 350, 351, 518, 686, 687, 692, 956;
D8/358

See application file for complete search history.

(56) **References Cited**

U.S. PATENT DOCUMENTS

D279,553 S * 7/1985 Drechsler D10/72
4,954,940 A * 9/1990 Chandler et al. 363/146
D316,666 S * 5/1991 Ishimaru D8/358
D338,188 S * 8/1993 Lee et al. D13/110
5,613,863 A * 3/1997 Klaus et al. 439/131

D454,538 S * 3/2002 Glickman D13/110
D456,008 S * 4/2002 Kawanobe et al. D13/110
D478,546 S * 8/2003 Andre et al. D13/110
D479,016 S * 8/2003 Sgariboldi D28/78
D562,766 S * 2/2008 Yang D13/110
D592,048 S * 5/2009 Biedermann et al. D9/423
D593,031 S * 5/2009 Miyatake et al. D13/110

* cited by examiner

Primary Examiner — Derrick Holland

(74) *Attorney, Agent, or Firm* — Morris Manning Martin LLP; Tim Tingkang Xia, Esq.

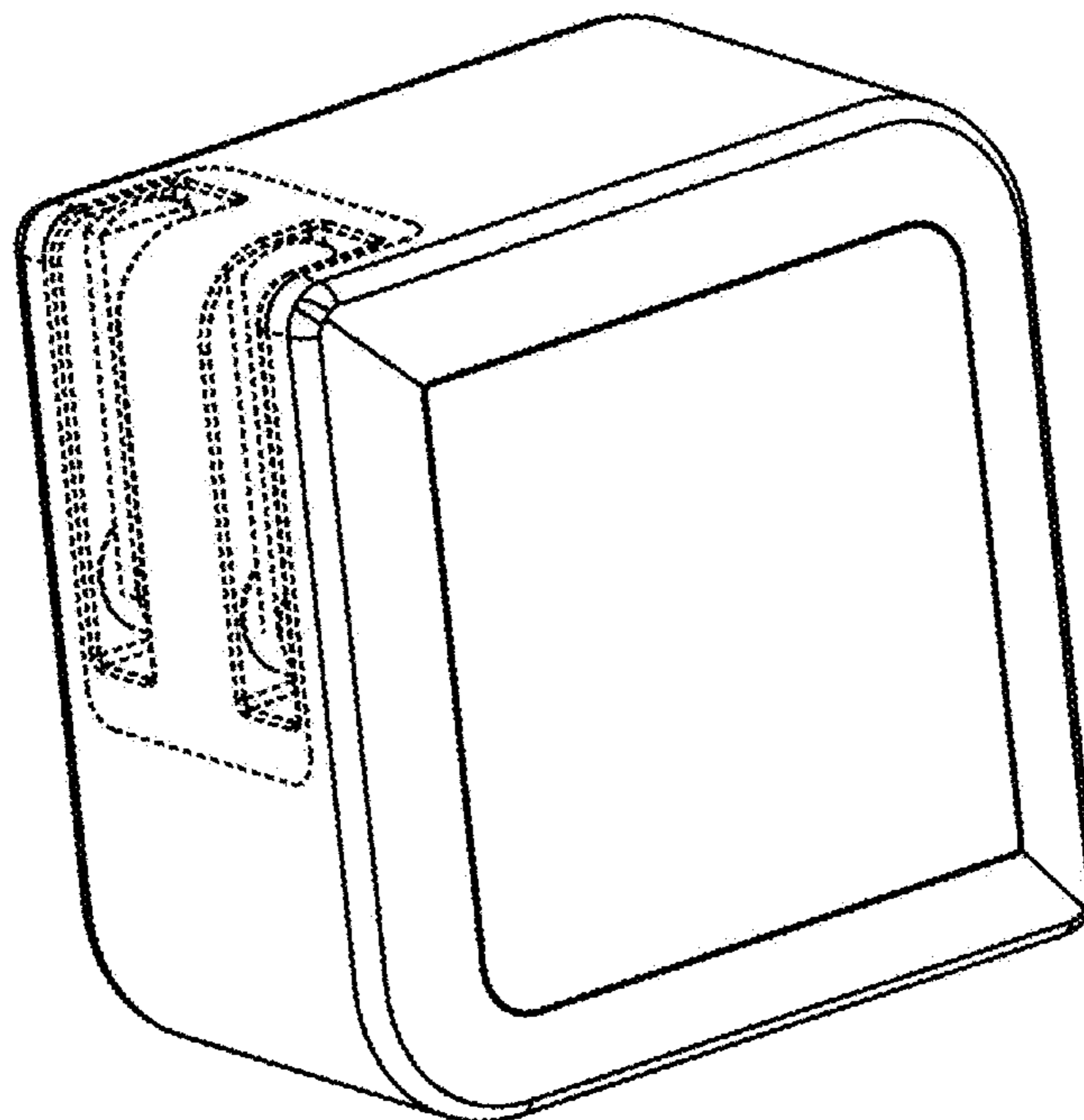
(57) **CLAIM**

The ornamental design for a power adapter, as shown and described.

DESCRIPTION

FIG. 1 is a perspective view of a power adapter showing my new design;
FIG. 2 is a front elevation view thereof;
FIG. 3 is a rear elevation view thereof;
FIG. 4 is a left side elevation view thereof;
FIG. 5 is a right side elevation view thereof;
FIG. 6 is a top plan view thereof;
FIG. 7 is a bottom plan view thereof;
FIG. 8 is a second perspective view thereof, shown in environmental use; and,
FIG. 9 is a third perspective view thereof, shown in an alternate environmental use.
The broken lines shown represent unclaimed subject matter and form no part of the claimed design.

1 Claim, 5 Drawing Sheets



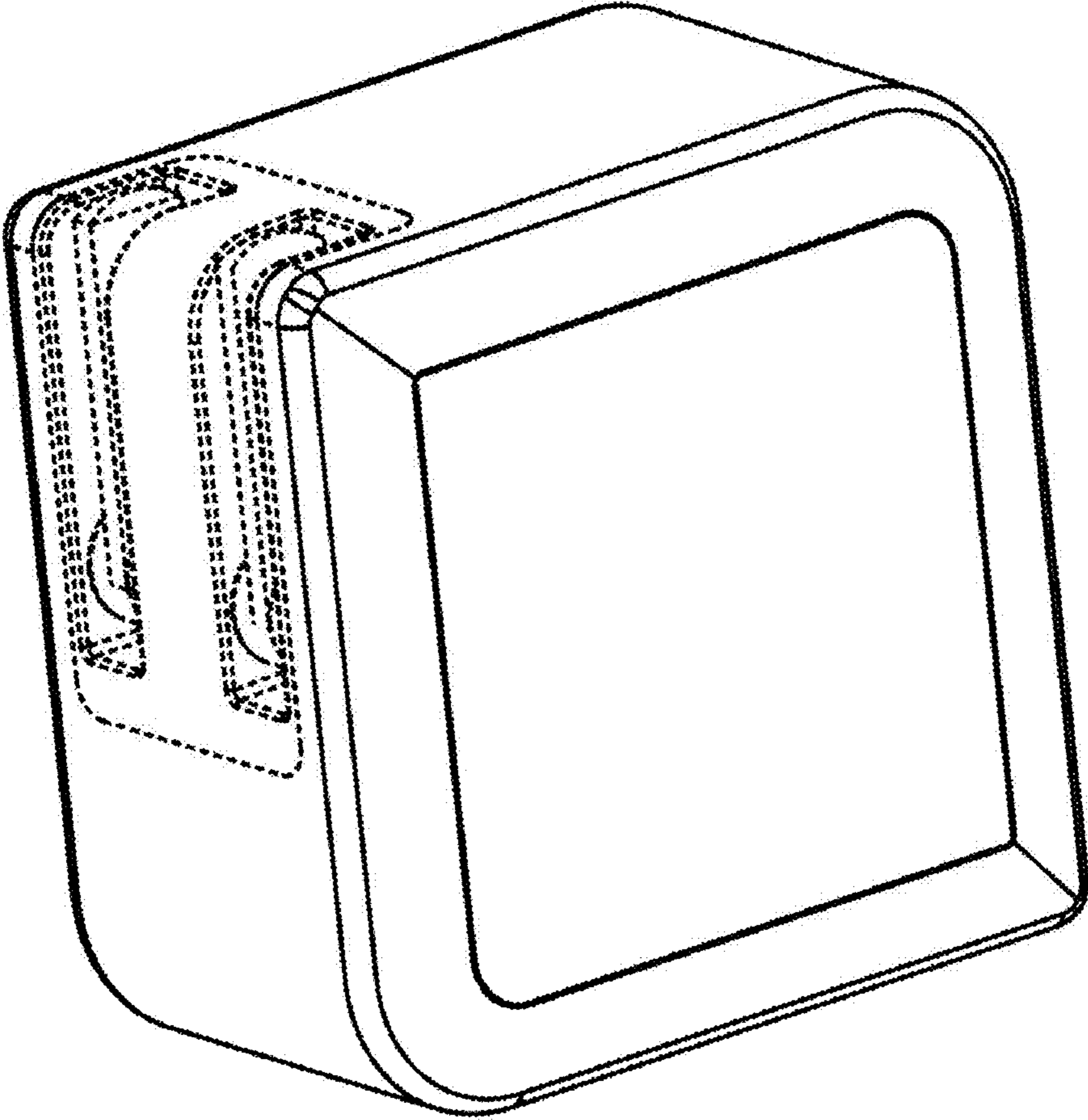


Fig. 1

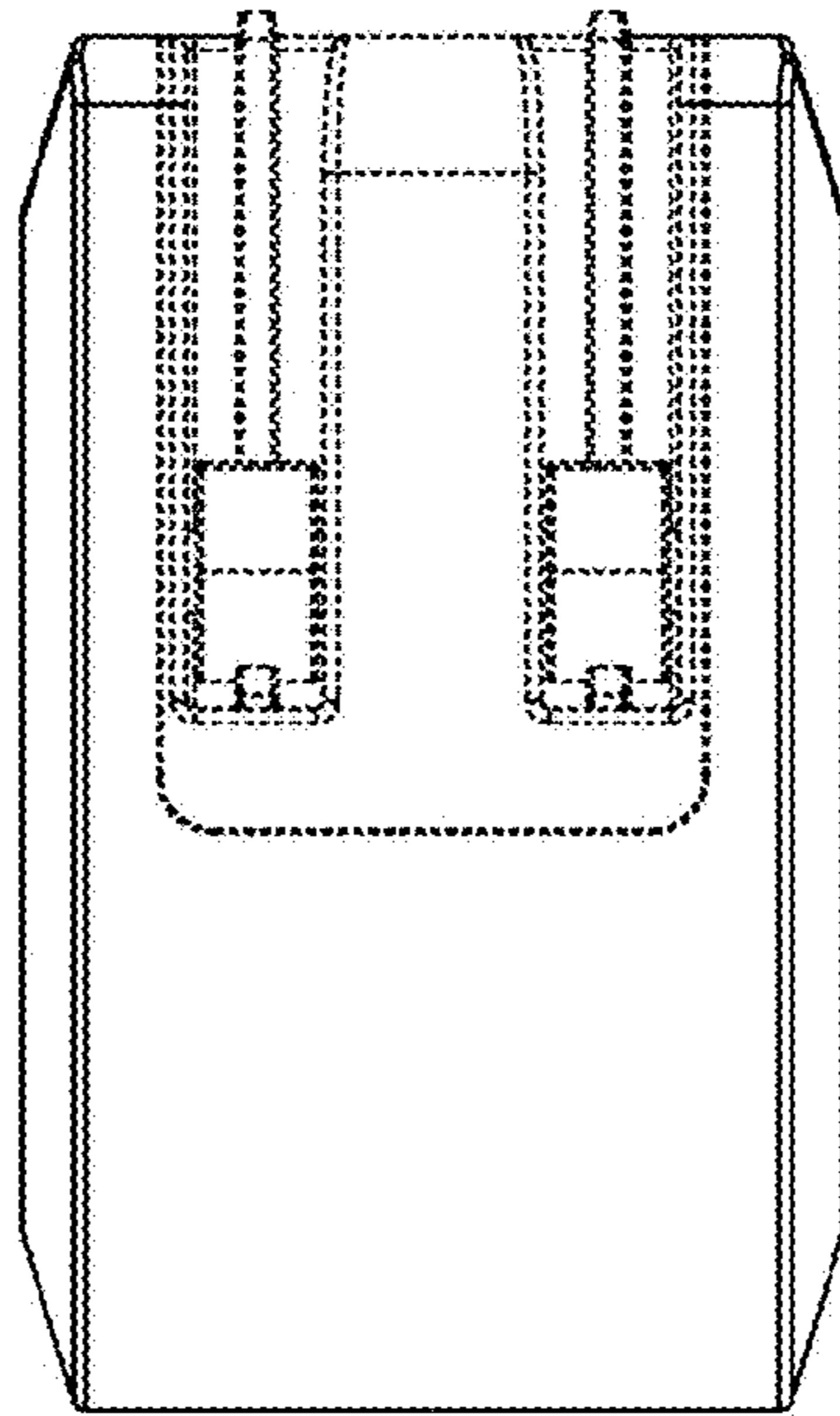


Fig. 2

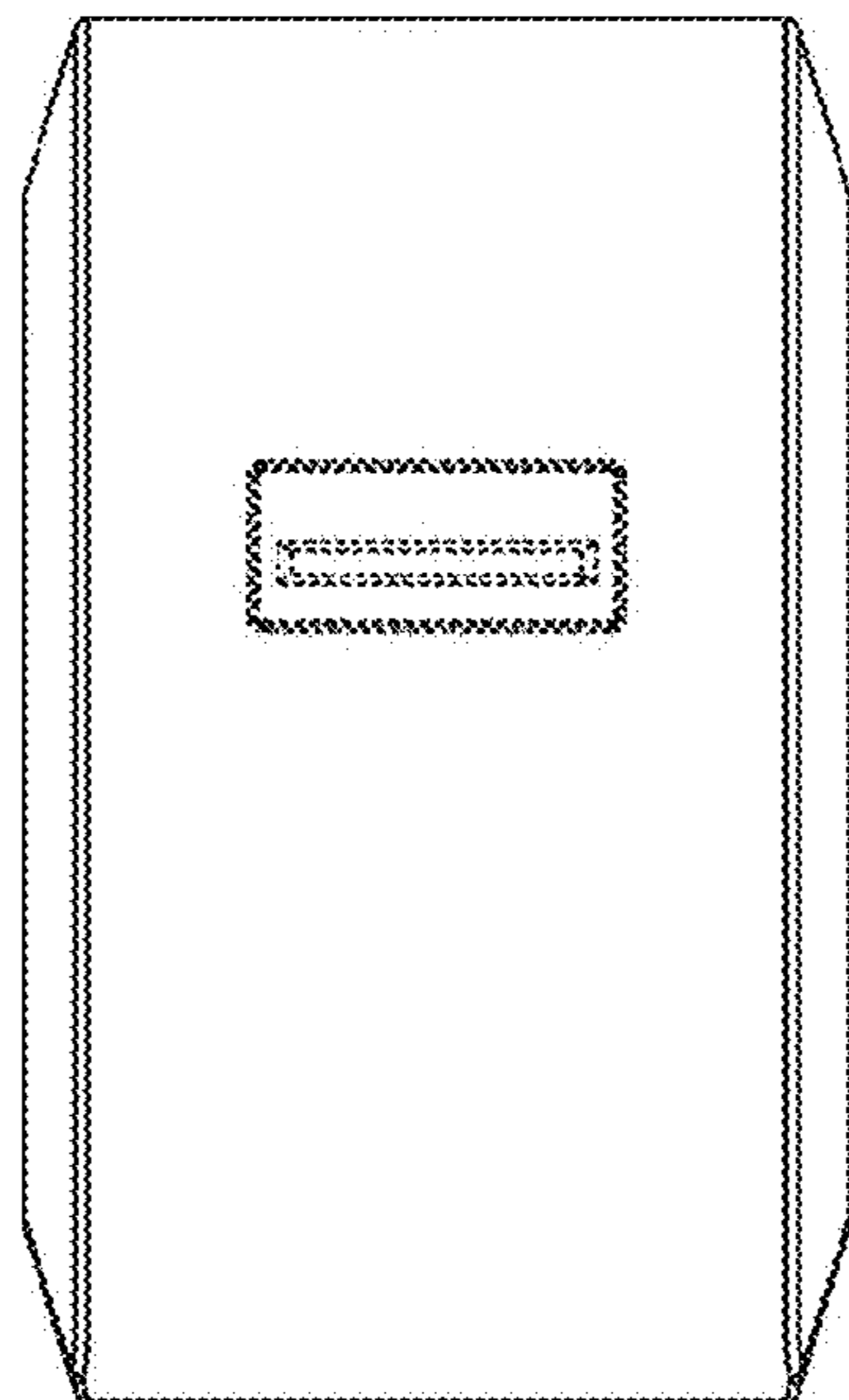


Fig. 3

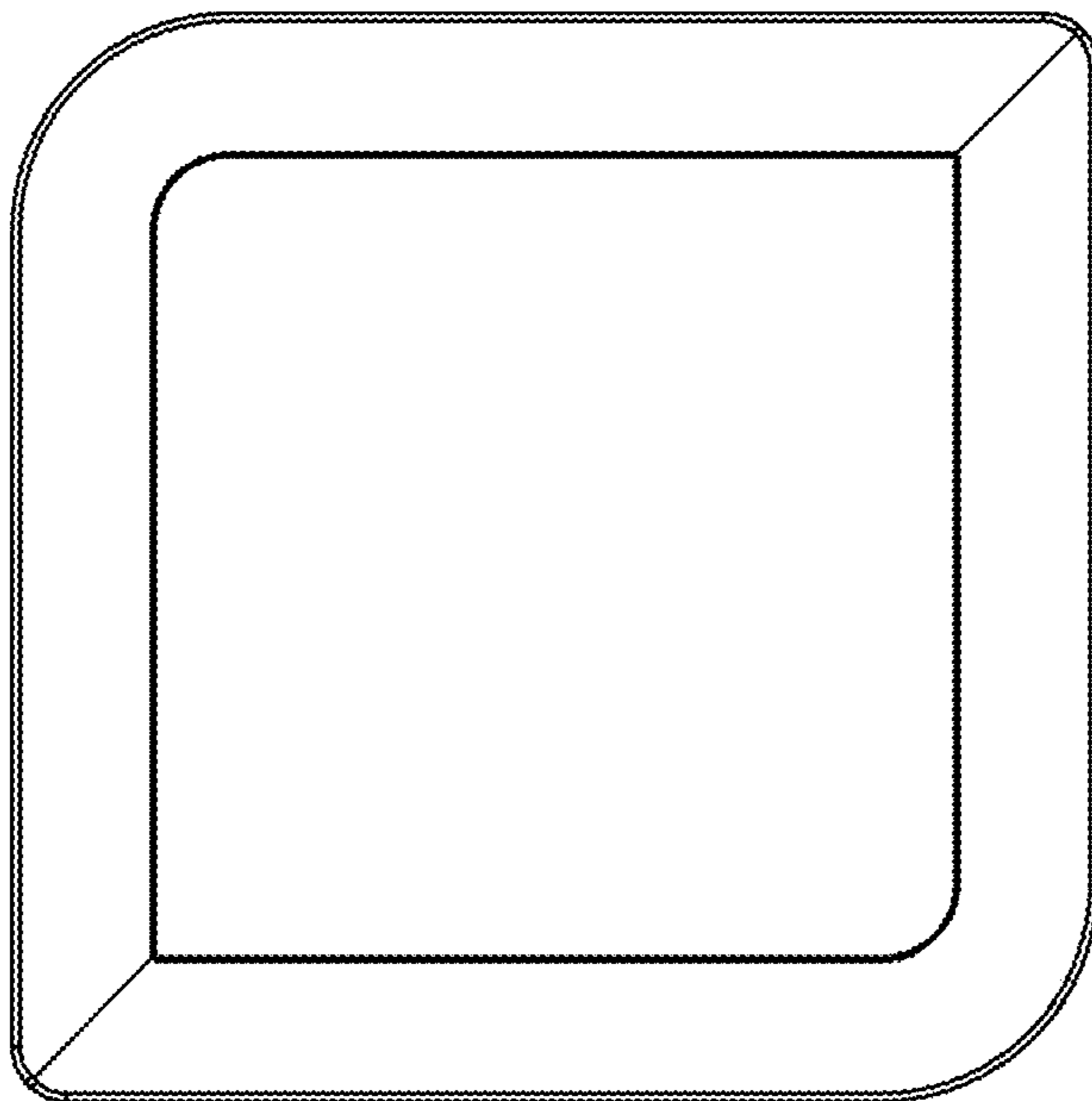


Fig. 4

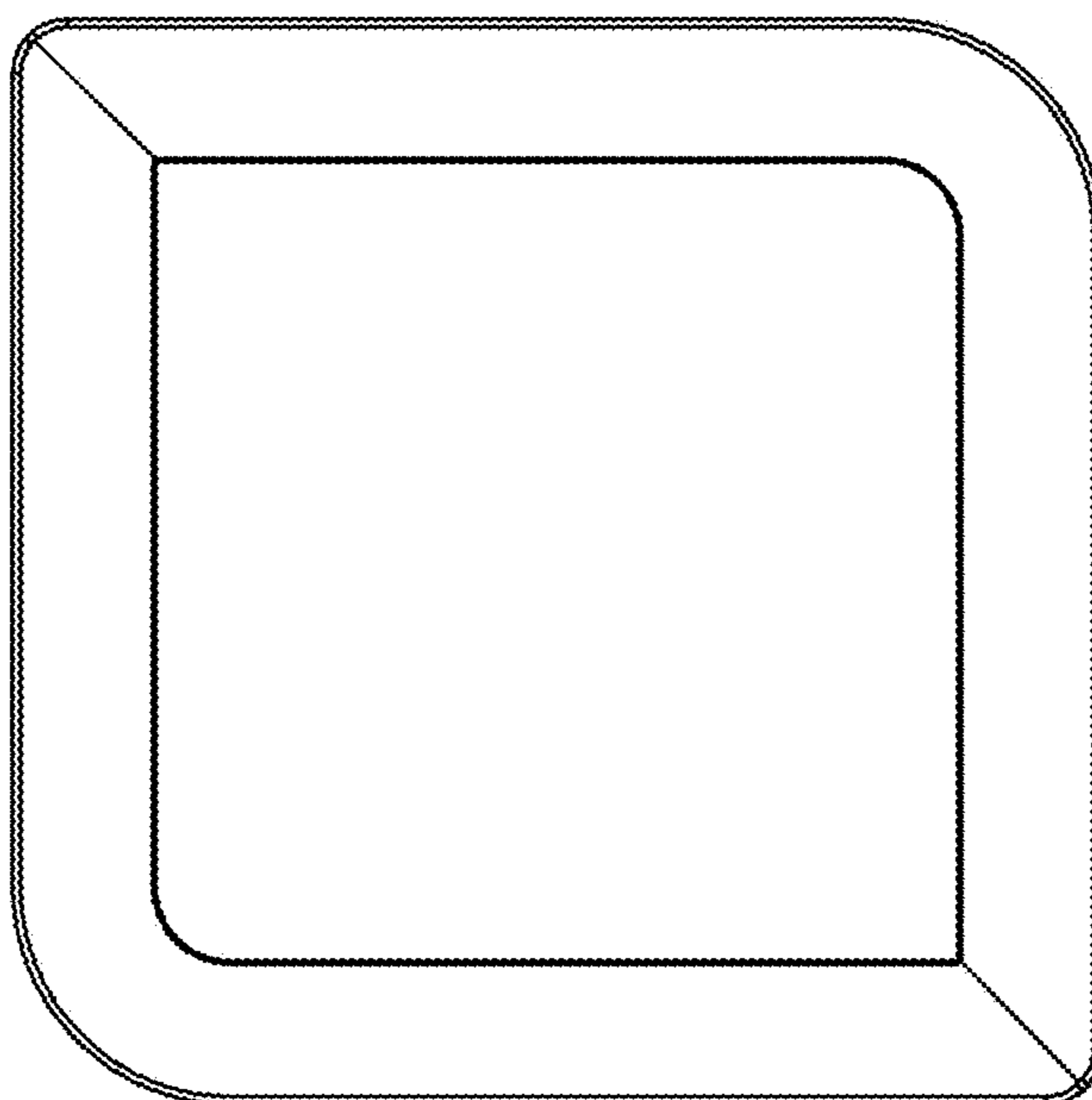


Fig. 5

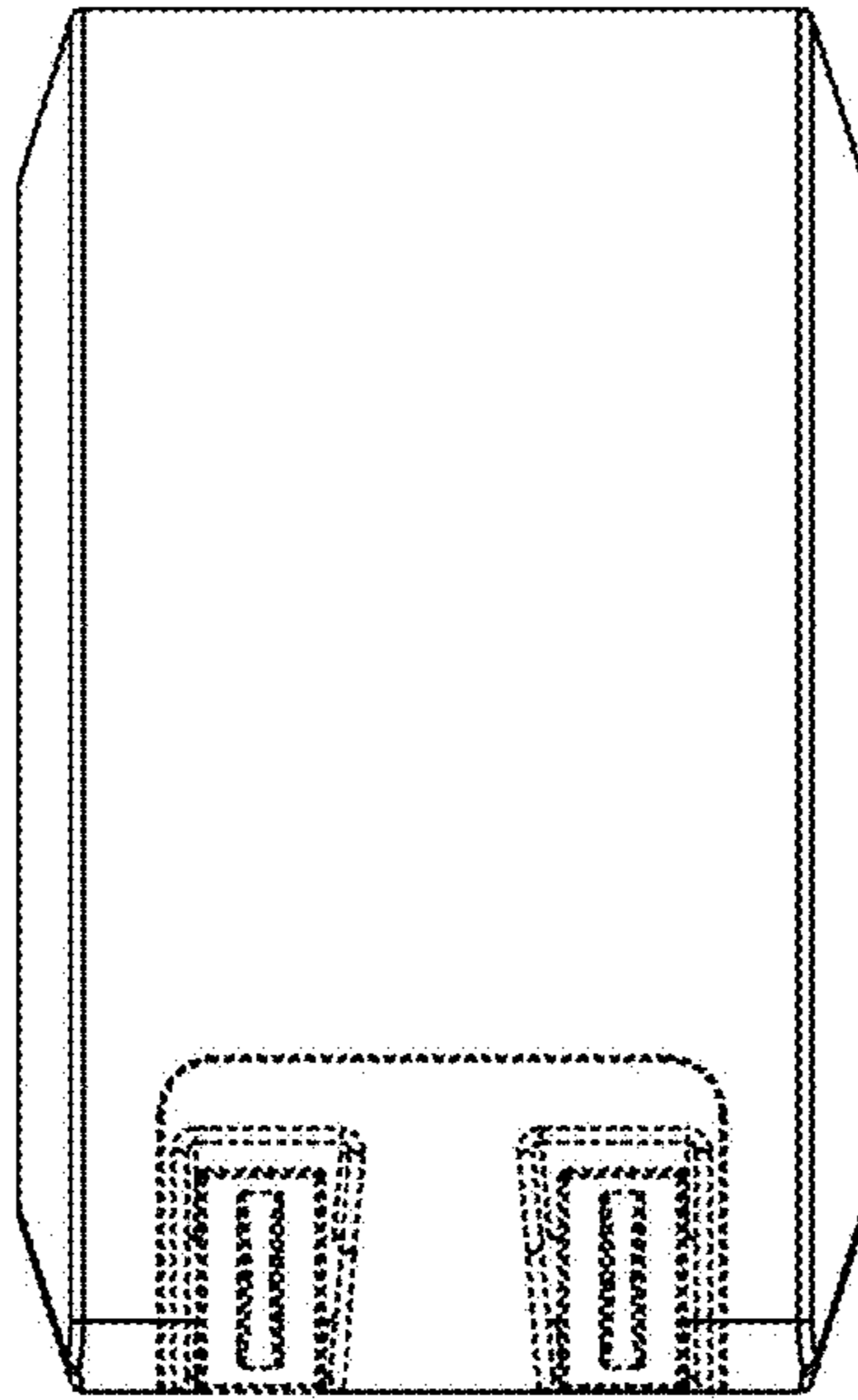


Fig. 6

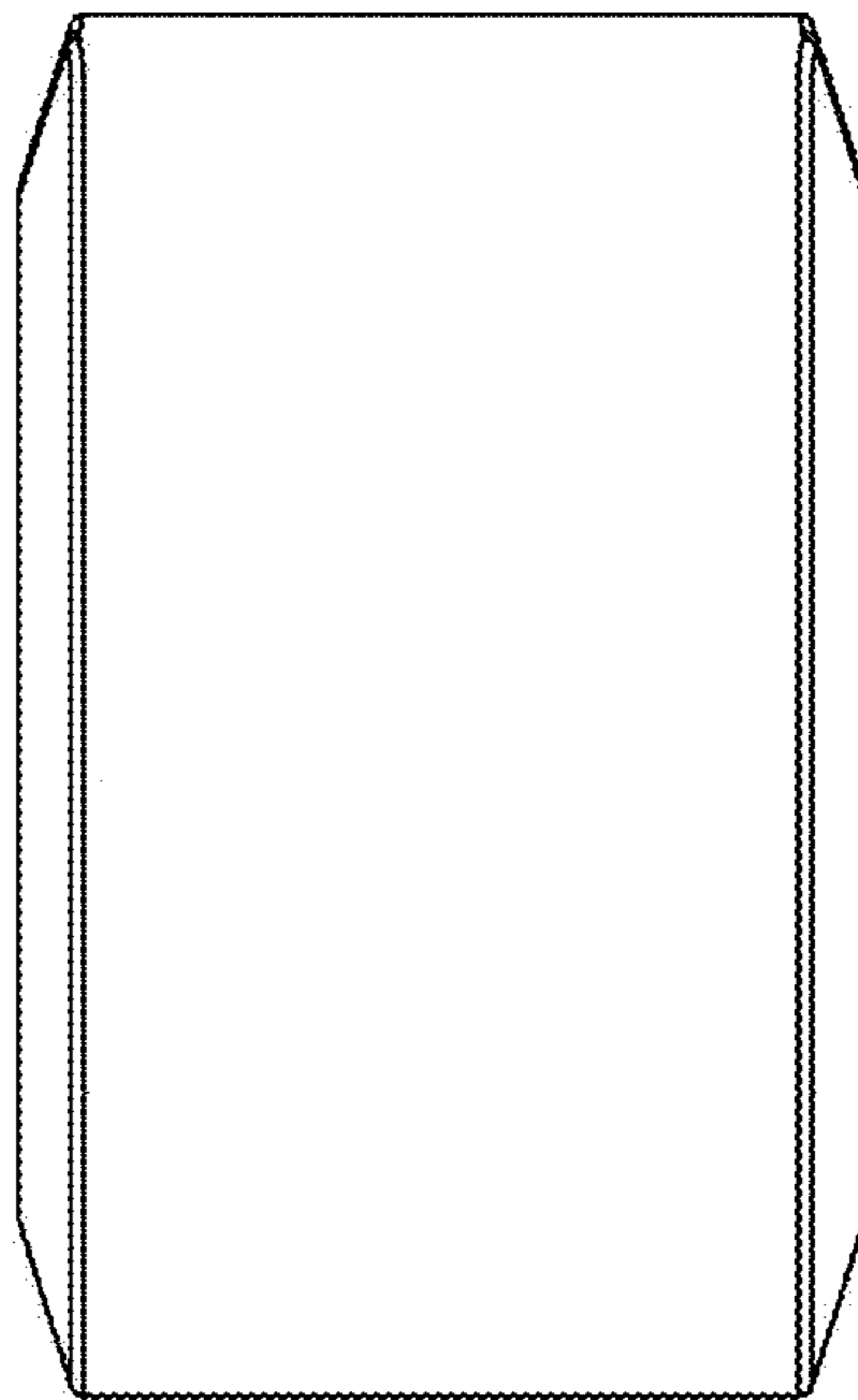


Fig. 7

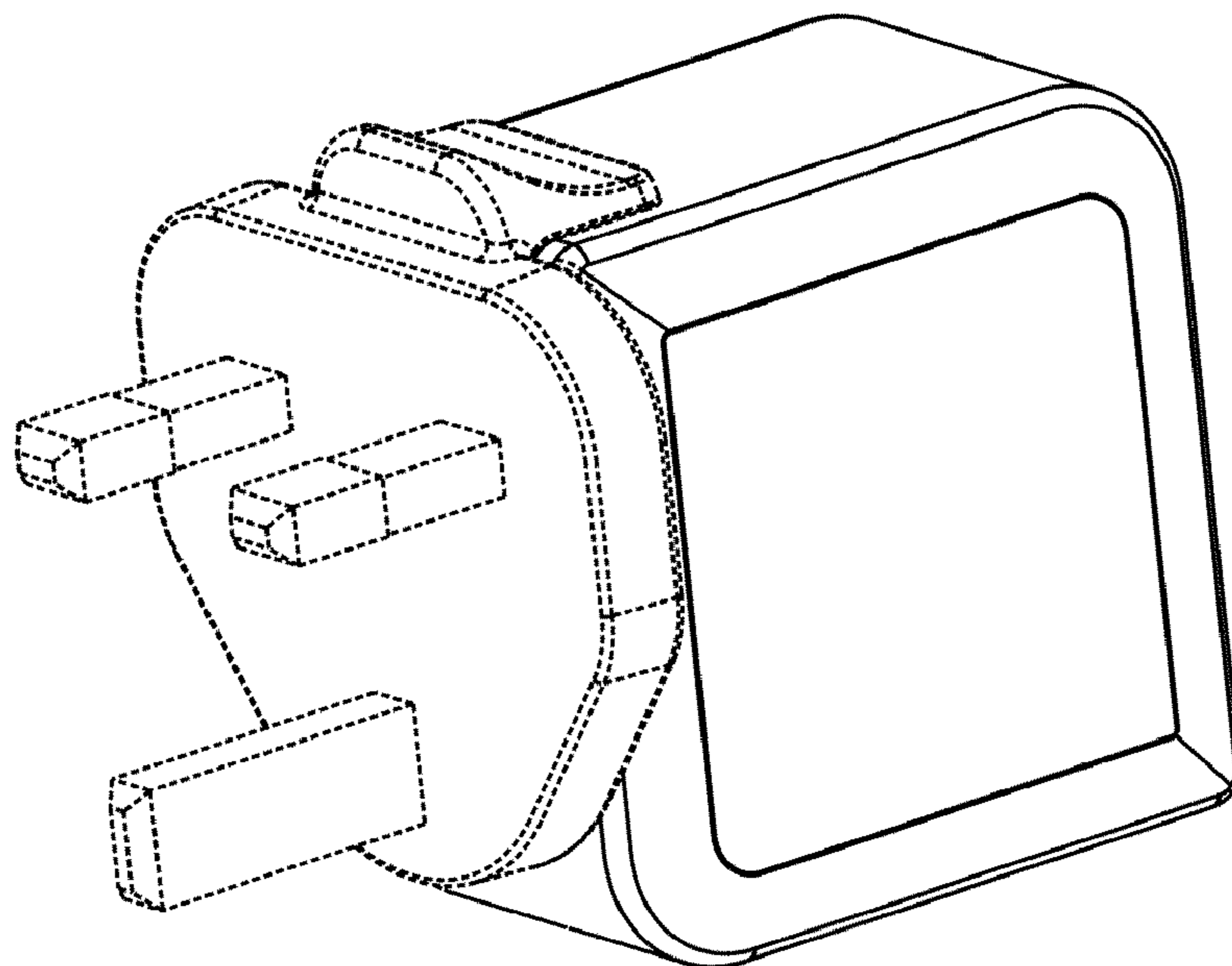


Fig. 8

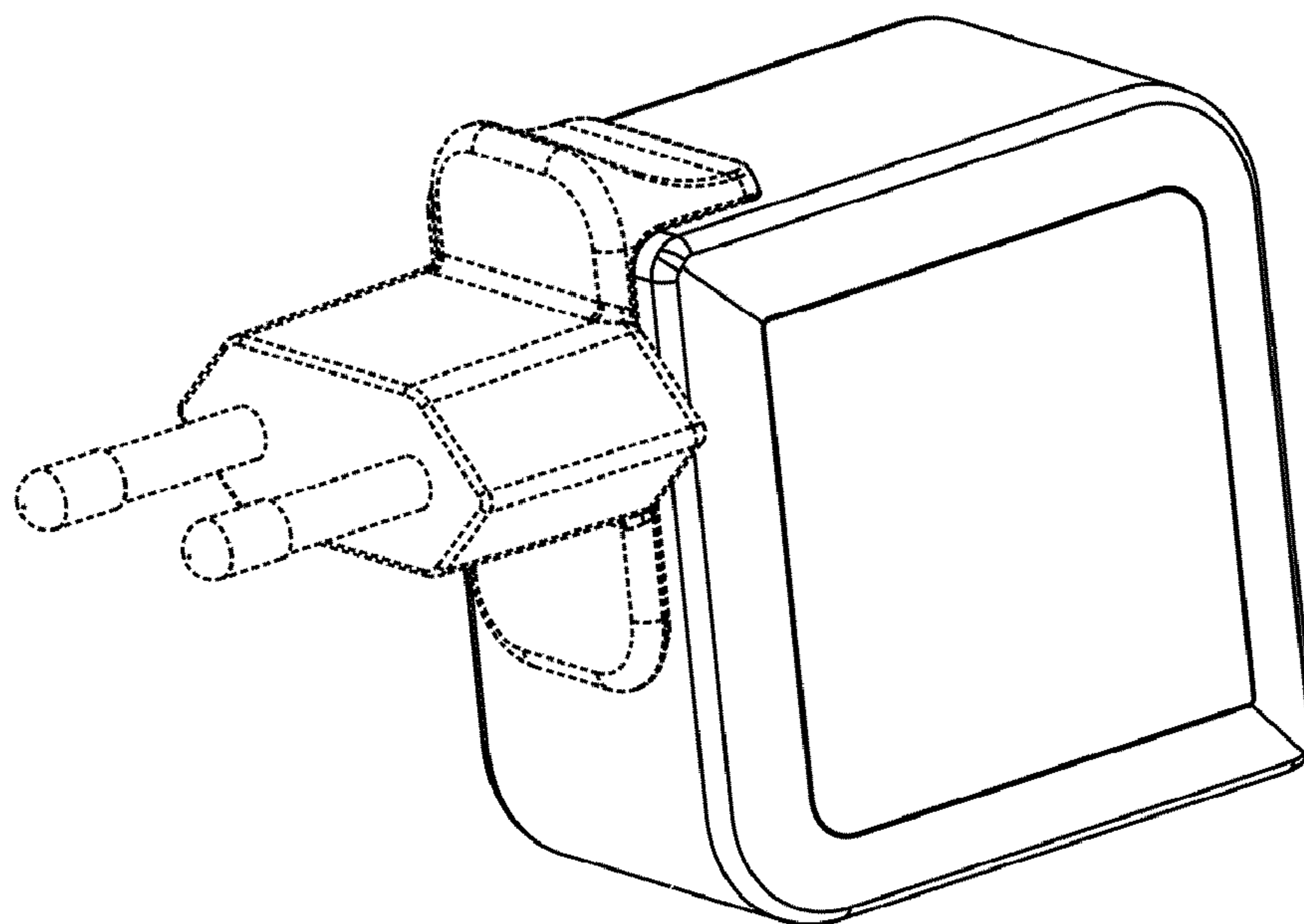


Fig. 9