



US00D647474S

(12) **United States Design Patent**
Takahashi

(10) **Patent No.:** **US D647,474 S**
(45) **Date of Patent:** **** Oct. 25, 2011**

(54) **TIRE FOR AUTOMOBILE**

(75) Inventor: **Shingo Takahashi**, Kobe (JP)

(73) Assignee: **Sumitomo Rubber Industries, Ltd.**,
Kobe (JP)

(**) Term: **14 Years**

(21) Appl. No.: **29/397,328**

(22) Filed: **Jul. 14, 2011**

(51) **LOC (9) Cl.** **12-15**

(52) **U.S. Cl.** **D12/605**

(58) **Field of Classification Search** D12/500-501,
D12/544, 579, 600-605; 152/523-524, DIG. 12,
152/555; D7/588, 396.4-396.5

See application file for complete search history.

(56) **References Cited**

U.S. PATENT DOCUMENTS

D565,504 S *	4/2008	Tanaka	D12/605
D569,791 S *	5/2008	Iwabuchi et al.	D12/605
D574,766 S *	8/2008	Iwabuchi et al.	D12/605
D576,544 S *	9/2008	Onoe	D12/605
D584,682 S *	1/2009	Tanaka	D12/605
D590,332 S *	4/2009	Sato	D12/605
D593,486 S *	6/2009	Yonetsu	D12/605

D596,117 S *	7/2009	Yonetsu	D12/605
D597,025 S *	7/2009	Fujita	D12/605
D600,199 S *	9/2009	Ibaraki	D12/605
D618,163 S *	6/2010	Sato	D12/605
D618,164 S *	6/2010	Sato	D12/605
D618,165 S *	6/2010	Sato	D12/605
D626,502 S *	11/2010	Nakamura	D12/605

* cited by examiner

Primary Examiner — Stacia Cadmus

(74) *Attorney, Agent, or Firm* — Birch, Stewart, Kolasch & Birch, LLP

(57) **CLAIM**

The ornamental design for a tire for automobile, as shown and described.

DESCRIPTION

FIG. 1 is a front view of a tire for automobile showing my new design;

FIG. 2 is a REAR view thereof;

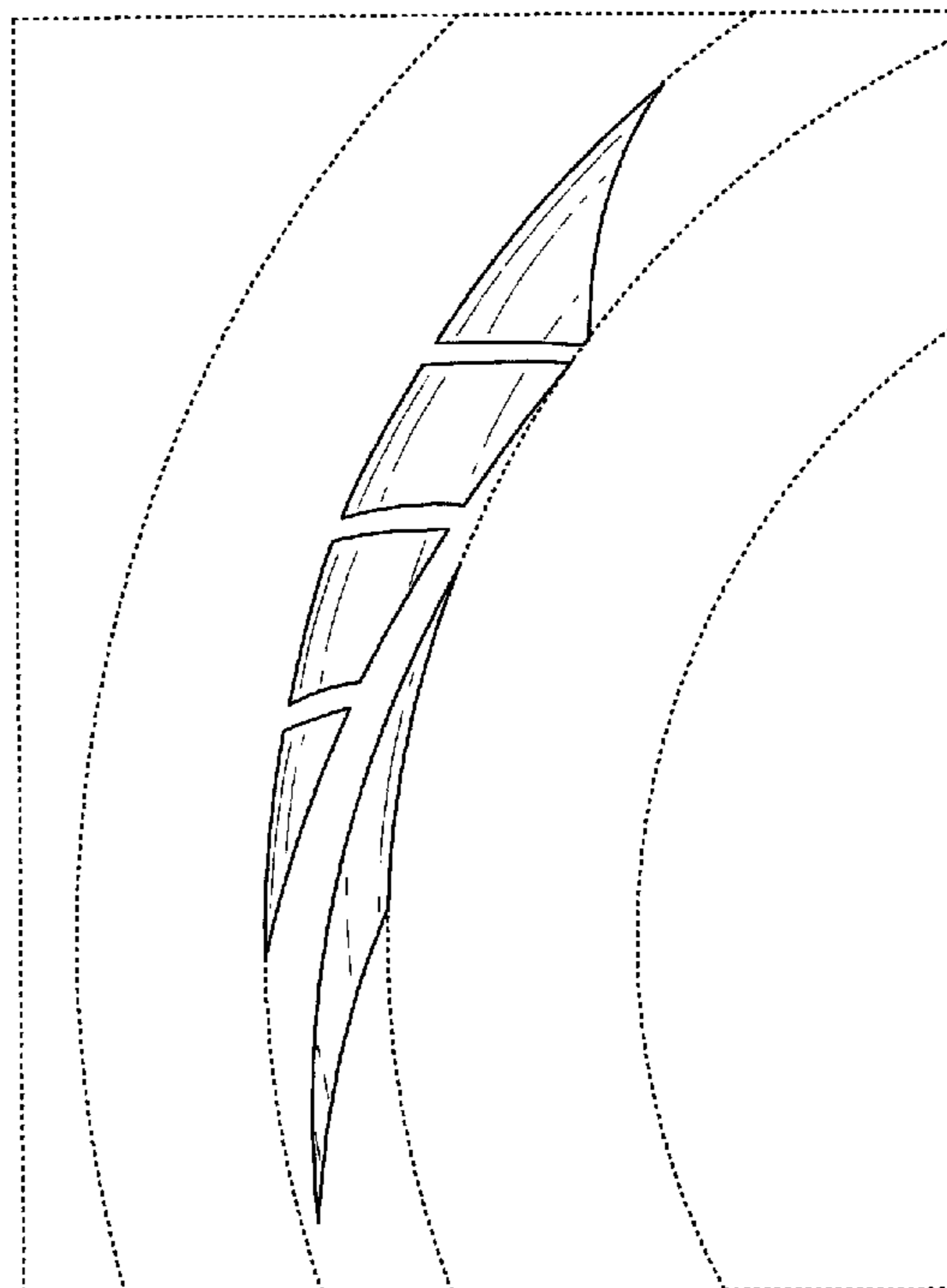
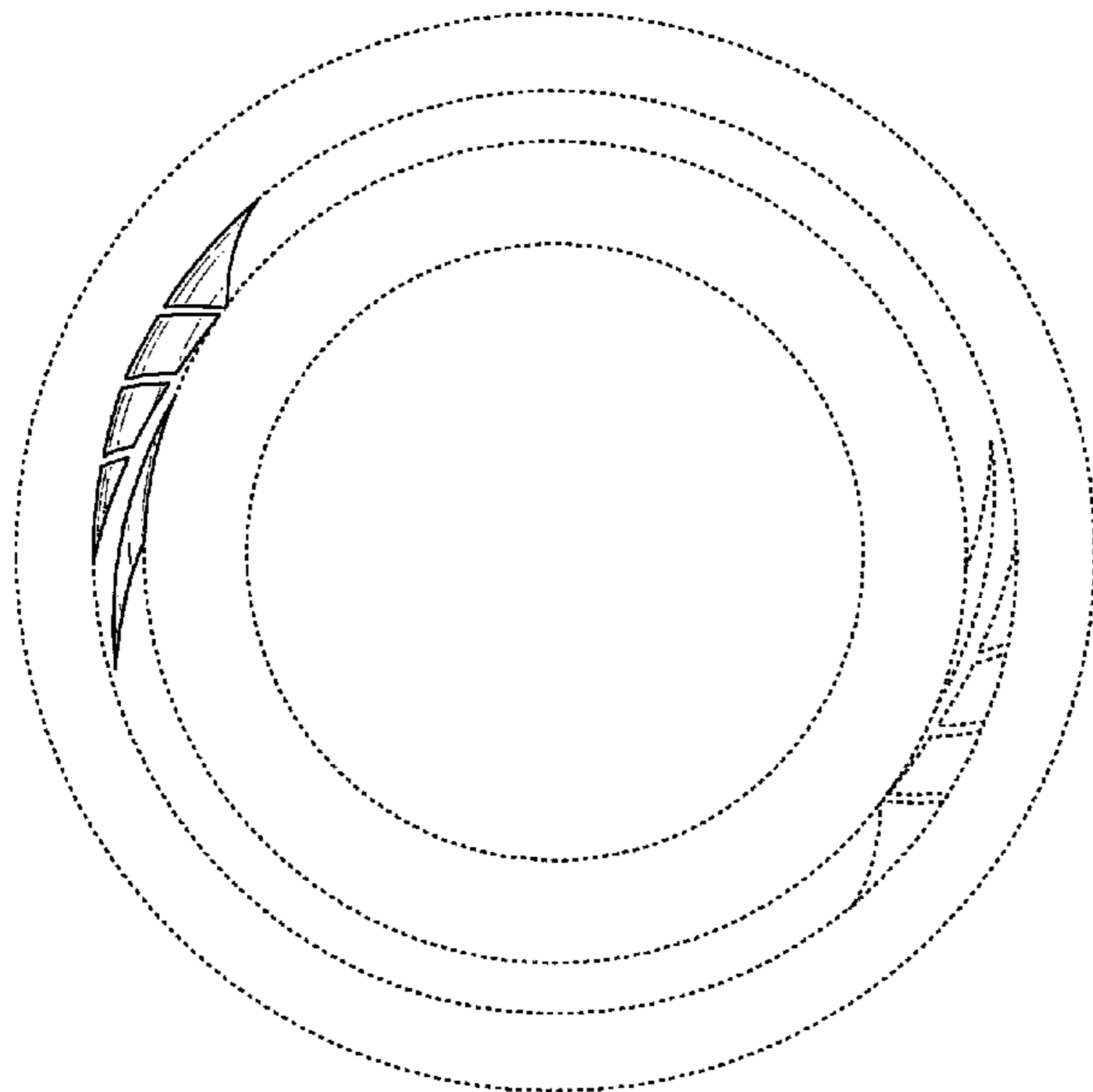
FIG. 3 is a right side view thereof; and,

FIG. 4 is a partial enlarged view of FIG. 1.

The top view, the left side view and the bottom view are the same as the right side view.

The portions shown in broken lines illustrate the environment and form no part of the claimed design.

1 Claim, 4 Drawing Sheets



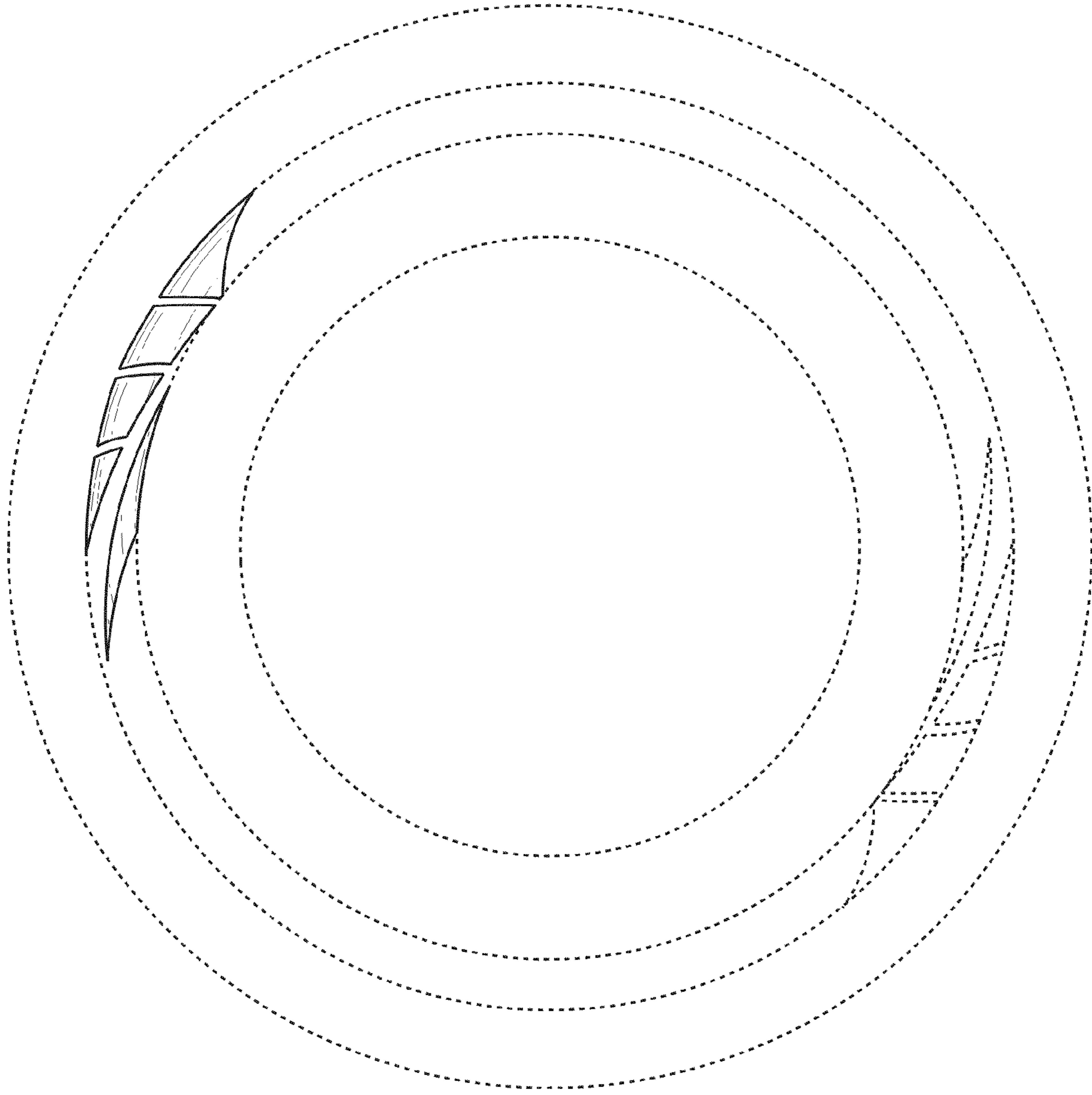


FIG. 1

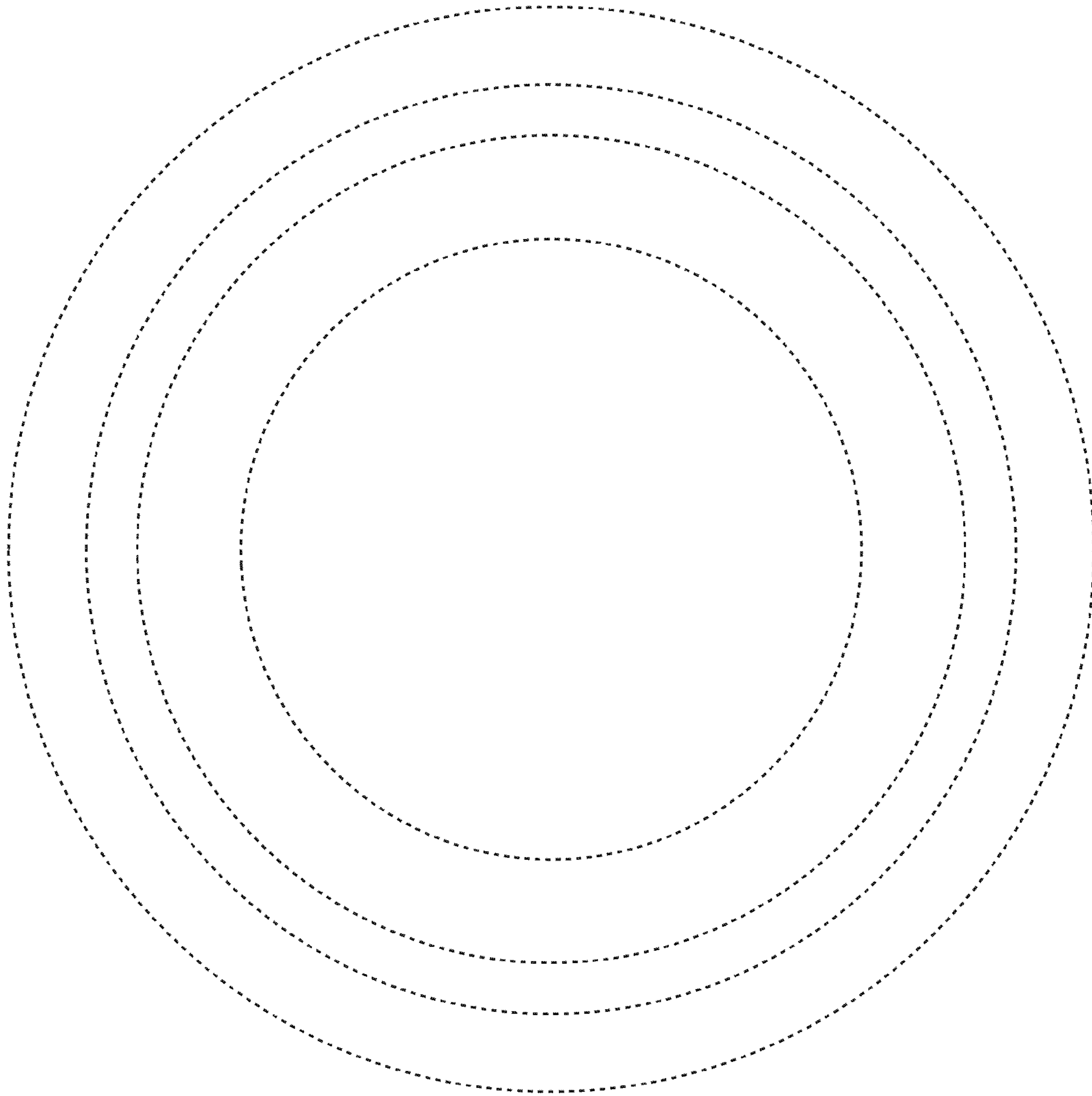


FIG. 2

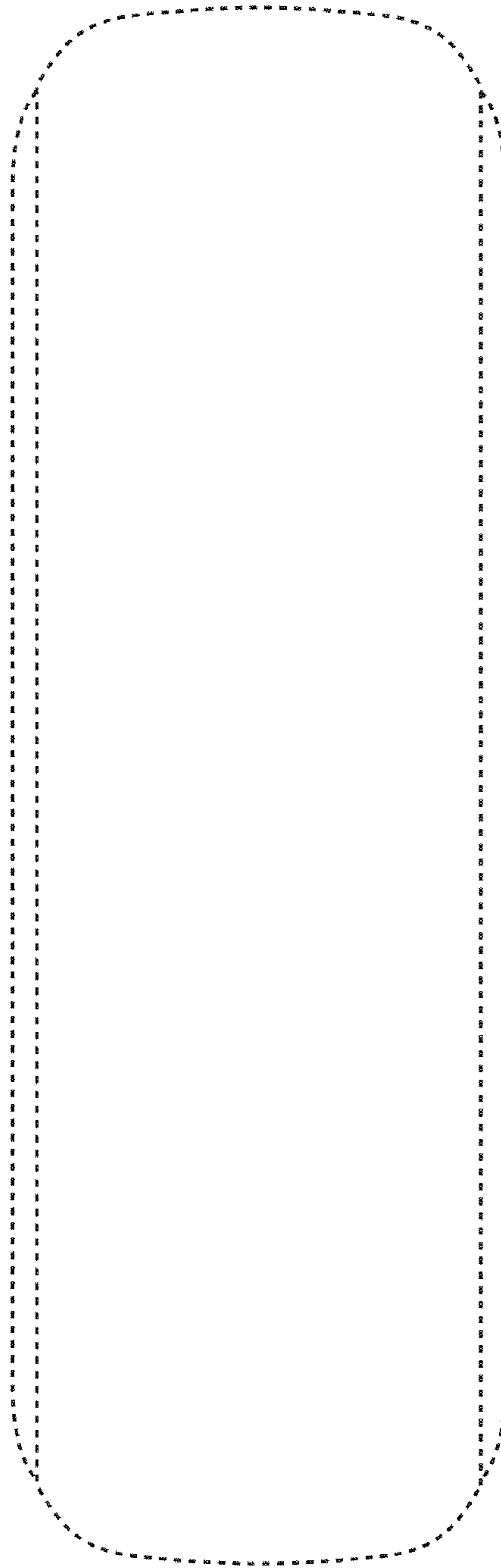


FIG. 3

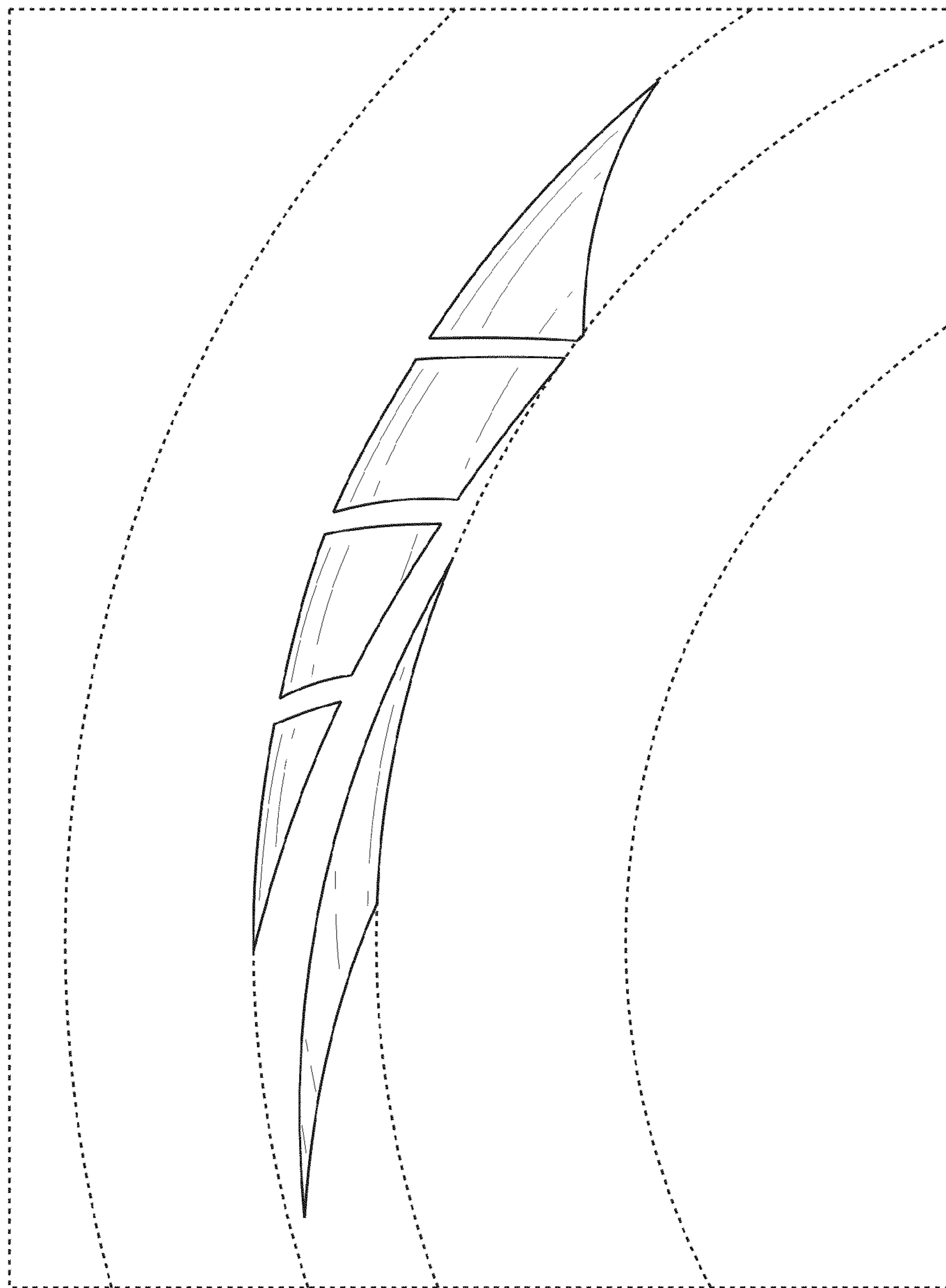


FIG. 4