



US00D647472S

(12) **United States Design Patent**  
**Rittweger**

(10) **Patent No.:** **US D647,472 S**

(45) **Date of Patent:** **\*\* Oct. 25, 2011**

(54) **TIRE TREAD OF A VEHICLE TIRE**

(75) Inventor: **Stefan Rittweger**, Hanover (DE)

(73) Assignee: **Continental Reifen Deutschland GmbH**, Hannover (DE)

(\*\*) Term: **14 Years**

(21) Appl. No.: **29/377,817**

(22) Filed: **Oct. 26, 2010**

(30) **Foreign Application Priority Data**

May 6, 2010 (EM) ..... 001704768

(51) **LOC (9) Cl.** ..... **12-15**

(52) **U.S. Cl.** ..... **D12/602**

(58) **Field of Classification Search** ..... D12/900-901,  
D12/563-603; 152/209.1-209.28, 455  
See application file for complete search history.

(56) **References Cited**

**U.S. PATENT DOCUMENTS**

D289,027	S	*	3/1987	Diensthuber	.....	D12/602
5,078,190	A	*	1/1992	Wissbrock et al.	.....	D12/602
D352,488	S	*	11/1994	Siramy	.....	D12/602
D388,037	S	*	12/1997	Rohweder et al.	.....	D12/602
D405,734	S	*	2/1999	Robert et al.	.....	D12/602

D419,503	S	*	1/2000	Hitzky et al.	.....	D12/602
D444,432	S	*	7/2001	Warchol	.....	D12/602
D516,014	S	*	2/2006	Fukunaga	.....	D12/602
D551,161	S	*	9/2007	Beaubras et al.	.....	D12/602
D577,660	S	*	9/2008	Durand	.....	D12/579
D603,788	S	*	11/2009	Lundgren	.....	D12/602
D622,211	S	*	8/2010	Maus et al.	.....	D12/579

\* cited by examiner

*Primary Examiner* — Stacia Cadmus

(74) *Attorney, Agent, or Firm* — Laurence A. Greenberg;  
Werner H. Stemer; Ralph E. Locher

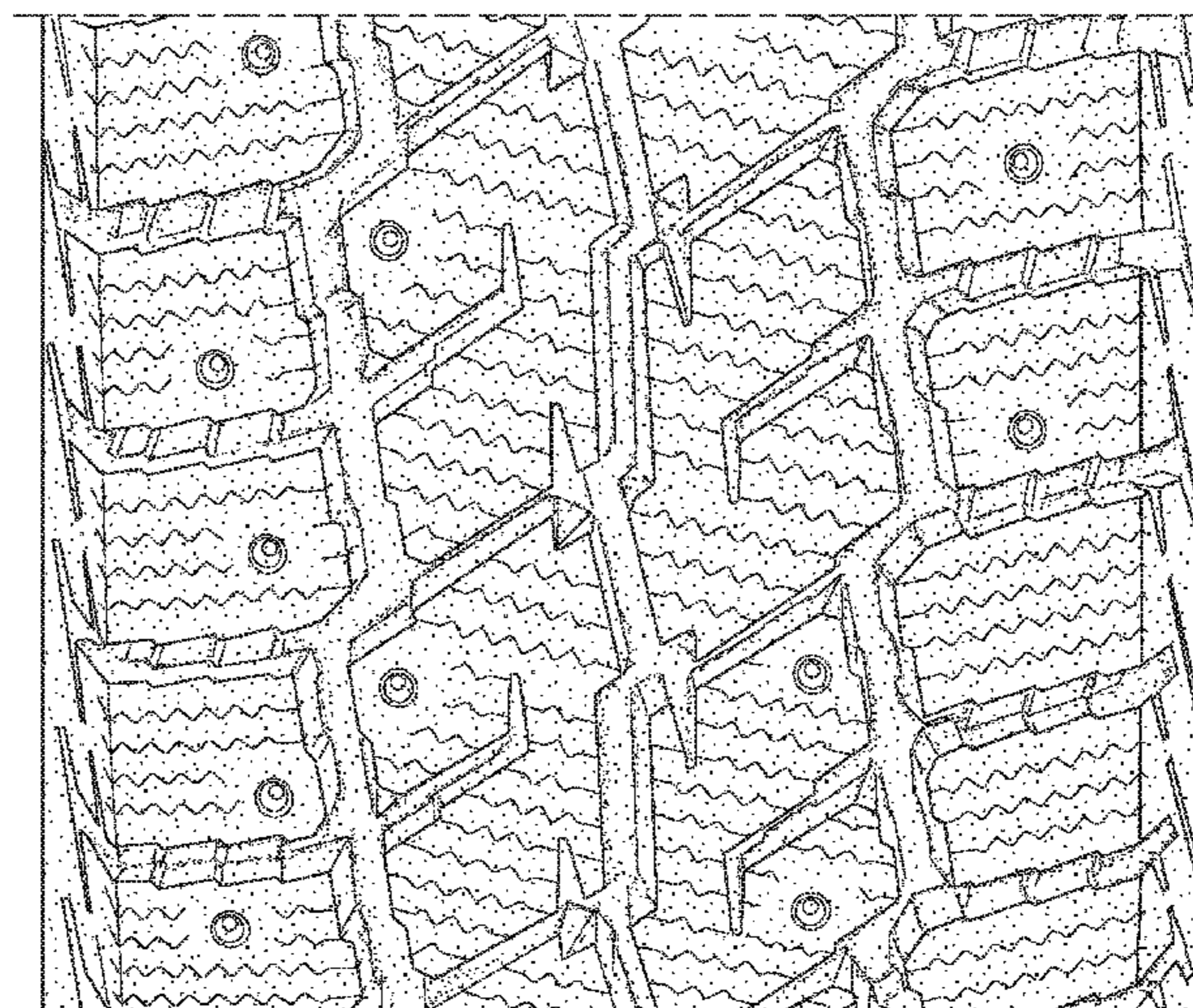
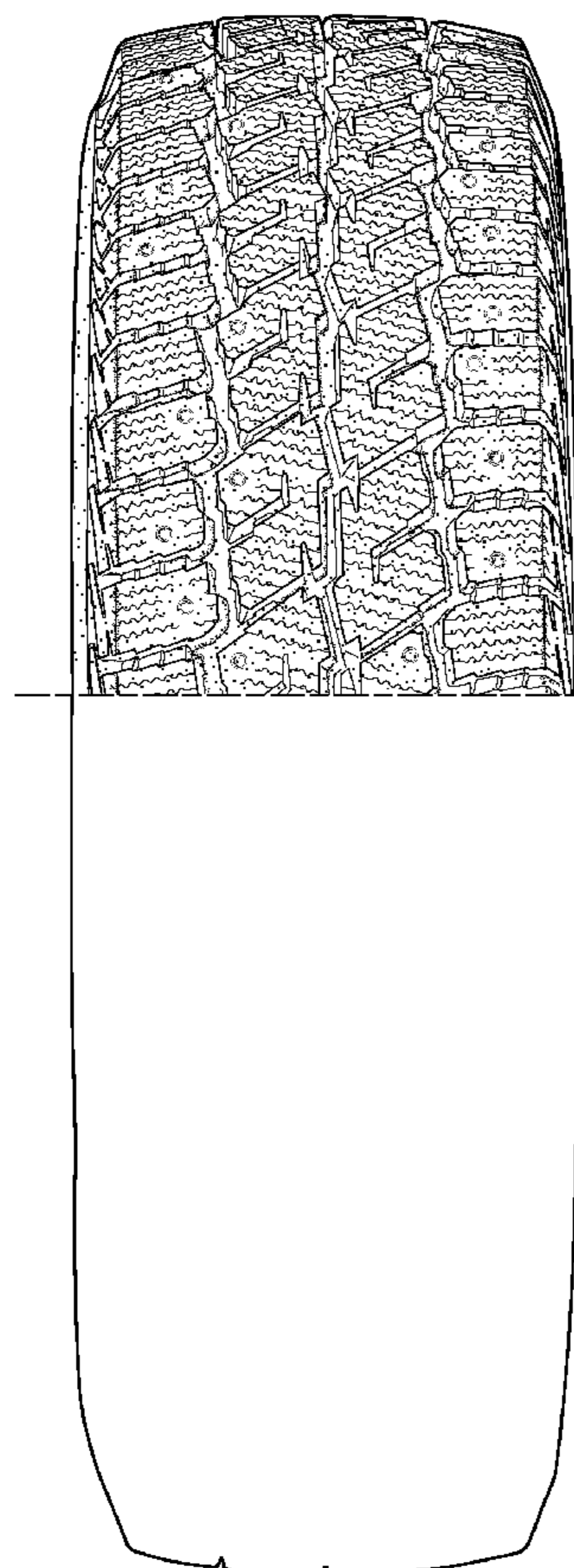
(57) **CLAIM**

The ornamental design for a tire tread of a vehicle tire, as shown and described.

**DESCRIPTION**

FIG. 1 is a perspective view of the tire tread of a vehicle tire, showing my new design;  
FIG. 2 is a front elevational view thereof;  
FIG. 3 is an enlarged partial front view thereof;  
FIG. 4 is a left side elevational view thereof; and,  
FIG. 5 is a right side elevational view thereof.  
While only portions of the tread design are shown, it should be understood that the tread covers the tire circumferentially in its entirety. Dashed lines show unclaimed subject matter.

**1 Claim, 5 Drawing Sheets**



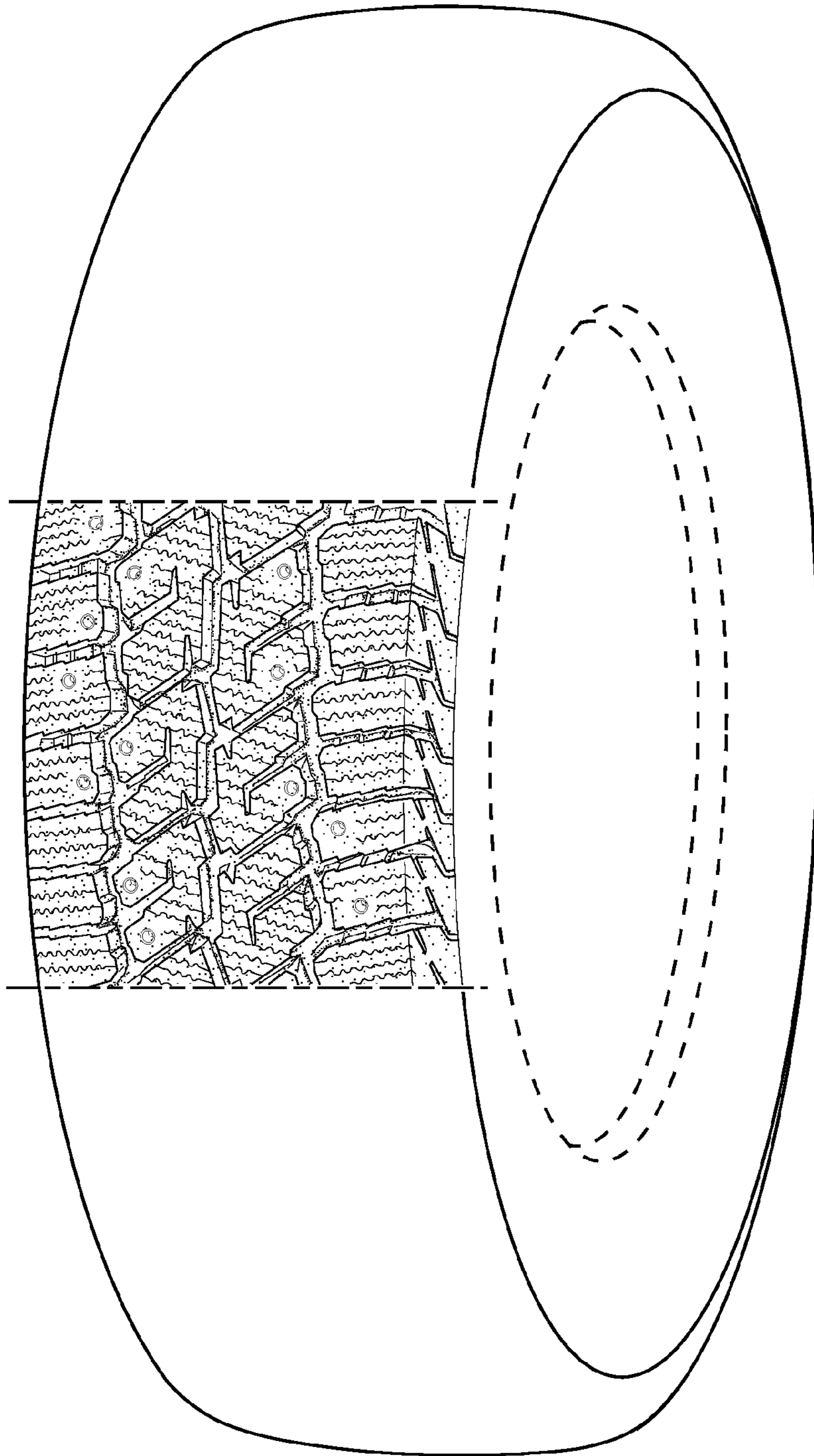


FIG. 1

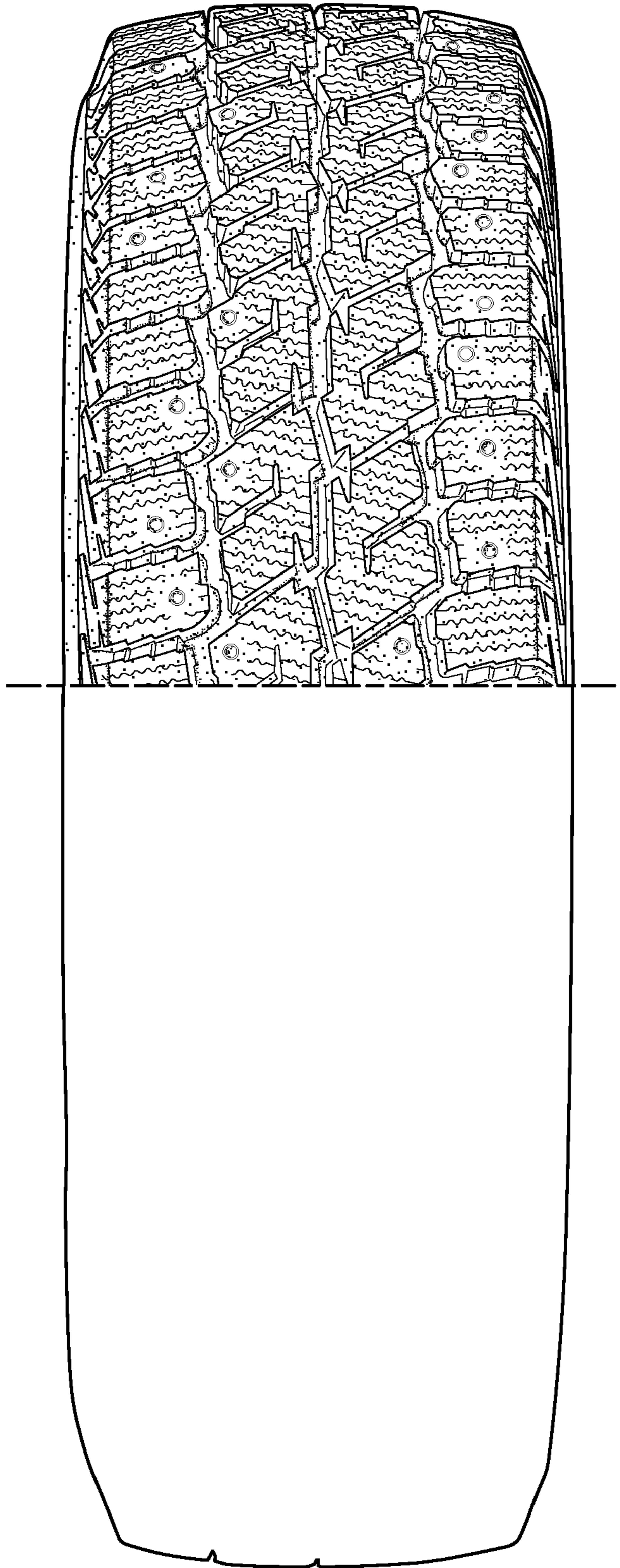


FIG. 2

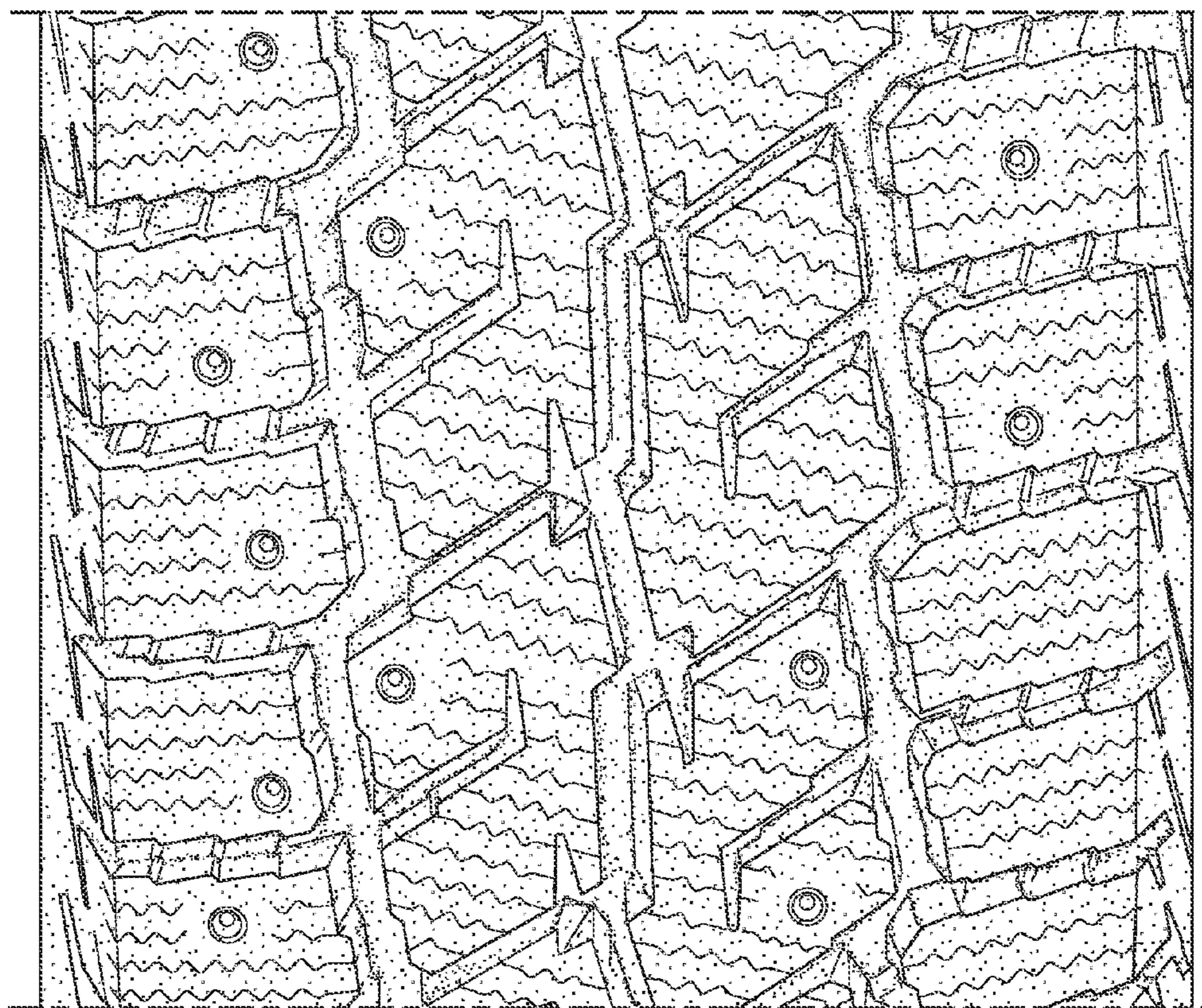


FIG. 3

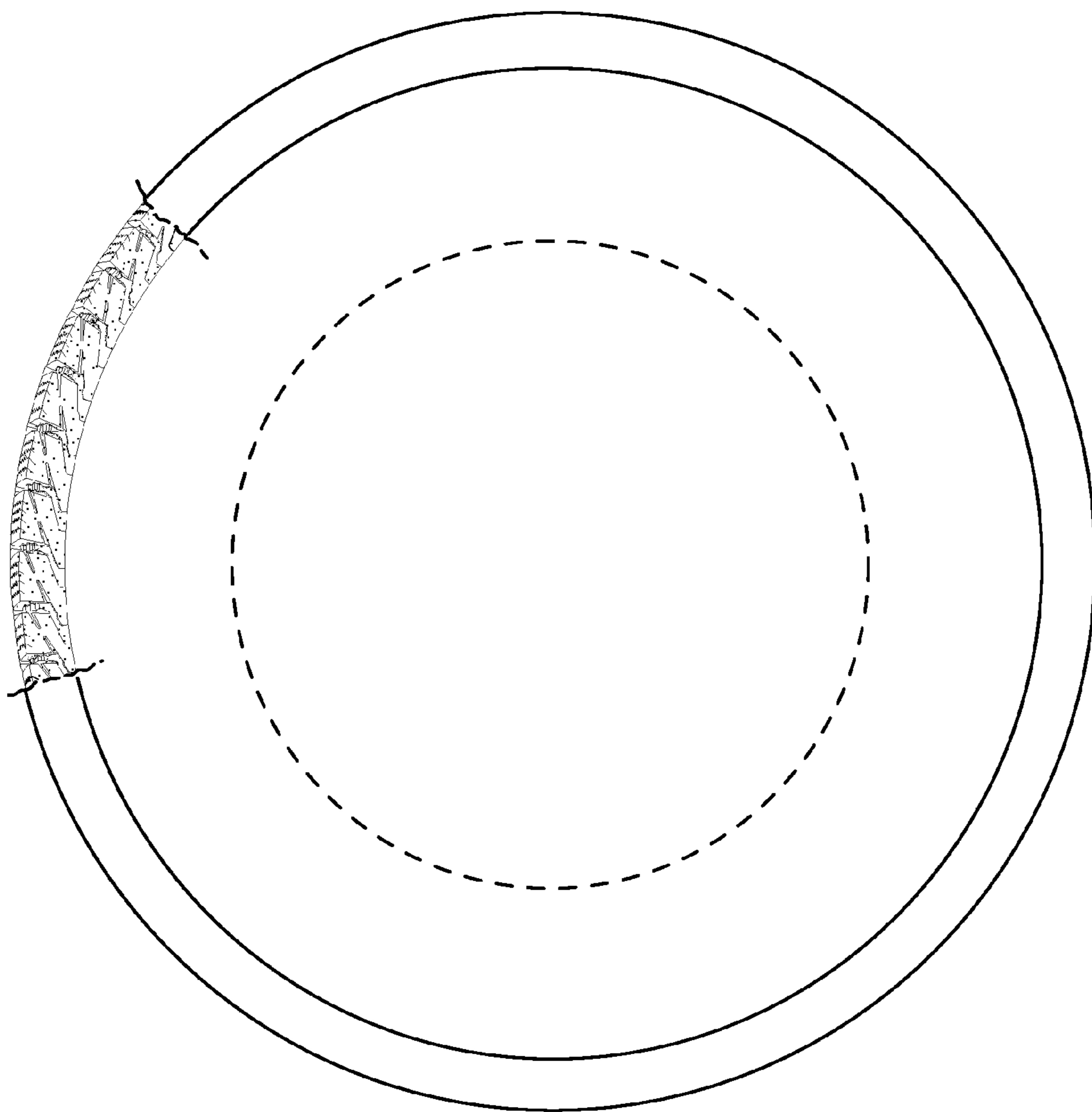


FIG. 4

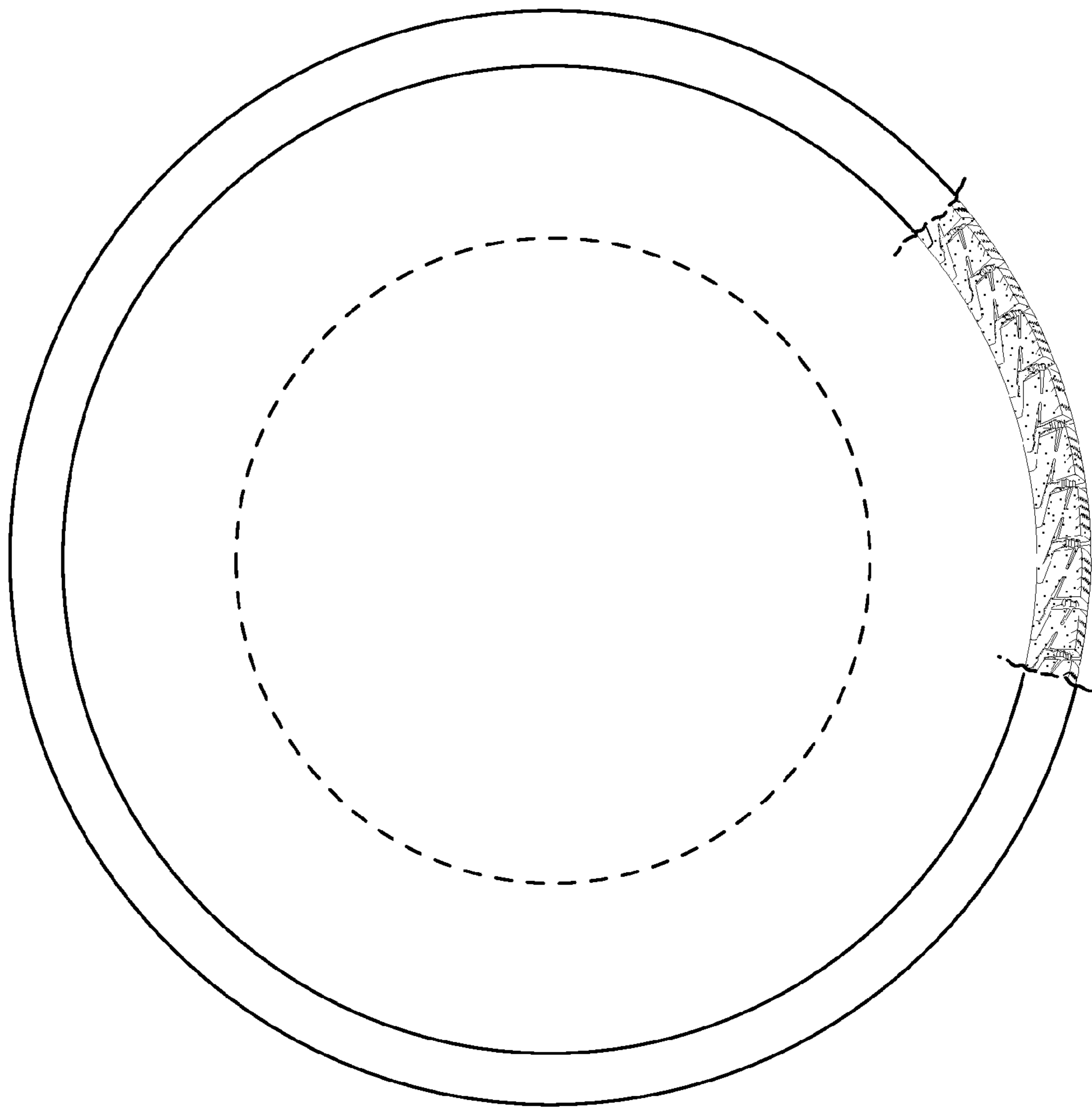


FIG. 5