



US00D647457S

(12) **United States Design Patent**
Miyazaki

(10) **Patent No.:** **US D647,457 S**
(45) **Date of Patent:** **** Oct. 25, 2011**

- (54) **TIRE**
- (75) Inventor: **Tetsuji Miyazaki**, Osaka (JP)
- (73) Assignee: **Toyo Tire & Rubber Co., Ltd.**, Osaka (JP)
- (**) Term: **14 Years**
- (21) Appl. No.: **29/362,504**
- (22) Filed: **May 26, 2010**
- (30) **Foreign Application Priority Data**
Apr. 1, 2010 (JP) 2010-008376
- (51) **LOC (9) Cl.** **12-16**
- (52) **U.S. Cl.** **D12/531**
- (58) **Field of Classification Search** D12/505-532;
152/209.1, 209.12, 209.18, 209.25
See application file for complete search history.

- (56) **References Cited**
U.S. PATENT DOCUMENTS
D515,020 S * 2/2006 Fukunaga D12/521
D596,555 S * 7/2009 Miyazaki D12/519
D628,951 S * 12/2010 Frappart et al. D12/515
- FOREIGN PATENT DOCUMENTS**
JP 915651 10/1994
JP 1071548 3/2000
JP 1290763 12/2006
JP 1321601 1/2008

- JP 1330843 4/2008
- JP 1347776 11/2008
- JP 1383092 2/2010

* cited by examiner

Primary Examiner — Caron D Veynar
Assistant Examiner — George D Kirschbaum
(74) *Attorney, Agent, or Firm* — Sterne, Kessler, Goldstein & Fox, PLLC

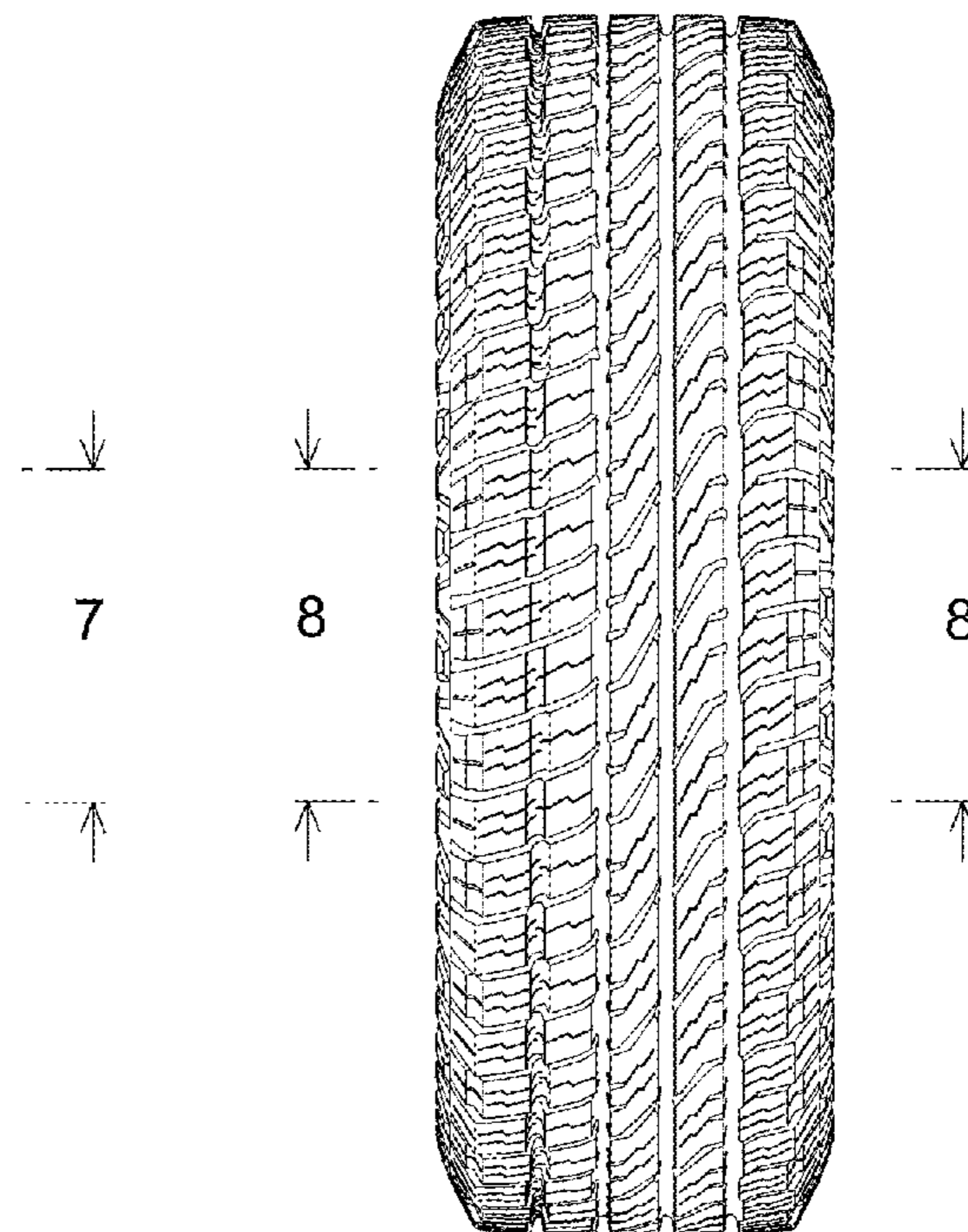
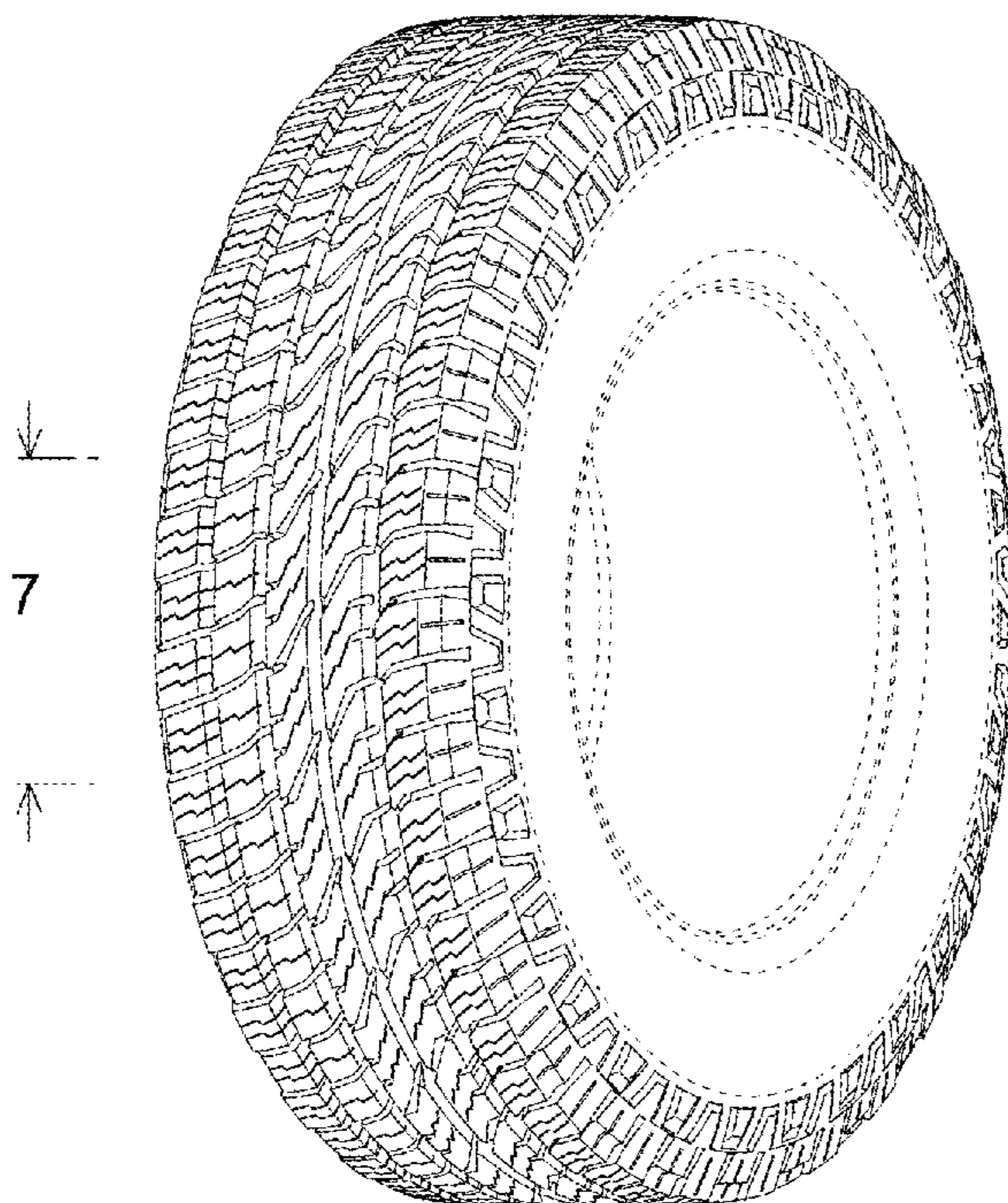
(57) **CLAIM**
The ornamental design for a tire, as shown and described.

DESCRIPTION

FIG. 1 is a perspective of a tire showing my new design;
FIG. 2 is a front view thereof;
FIG. 3 is a rear view thereof;
FIG. 4 is a top plan view thereof, for which the bottom plan view is the same;
FIG. 5 is a right side view thereof;
FIG. 6 is a left side view thereof;
FIG. 7 is an enlarged view taken along line 7-7 in FIG. 1 and line 7'-7' in FIG. 5;
FIG. 8 is an enlarged view taken along line 8-8 in FIG. 2 and line 7'-7' in FIG. 5;
FIG. 9 is an enlarged view taken along line 9-9 in FIG. 5 and line 7'-7' in FIG. 5; and,
FIG. 10 is a cross-sectional view taken along line 10-10 in FIG. 8.

The broken lines in the Figures show portions of the tire that form no part of the claimed design.

1 Claim, 10 Drawing Sheets



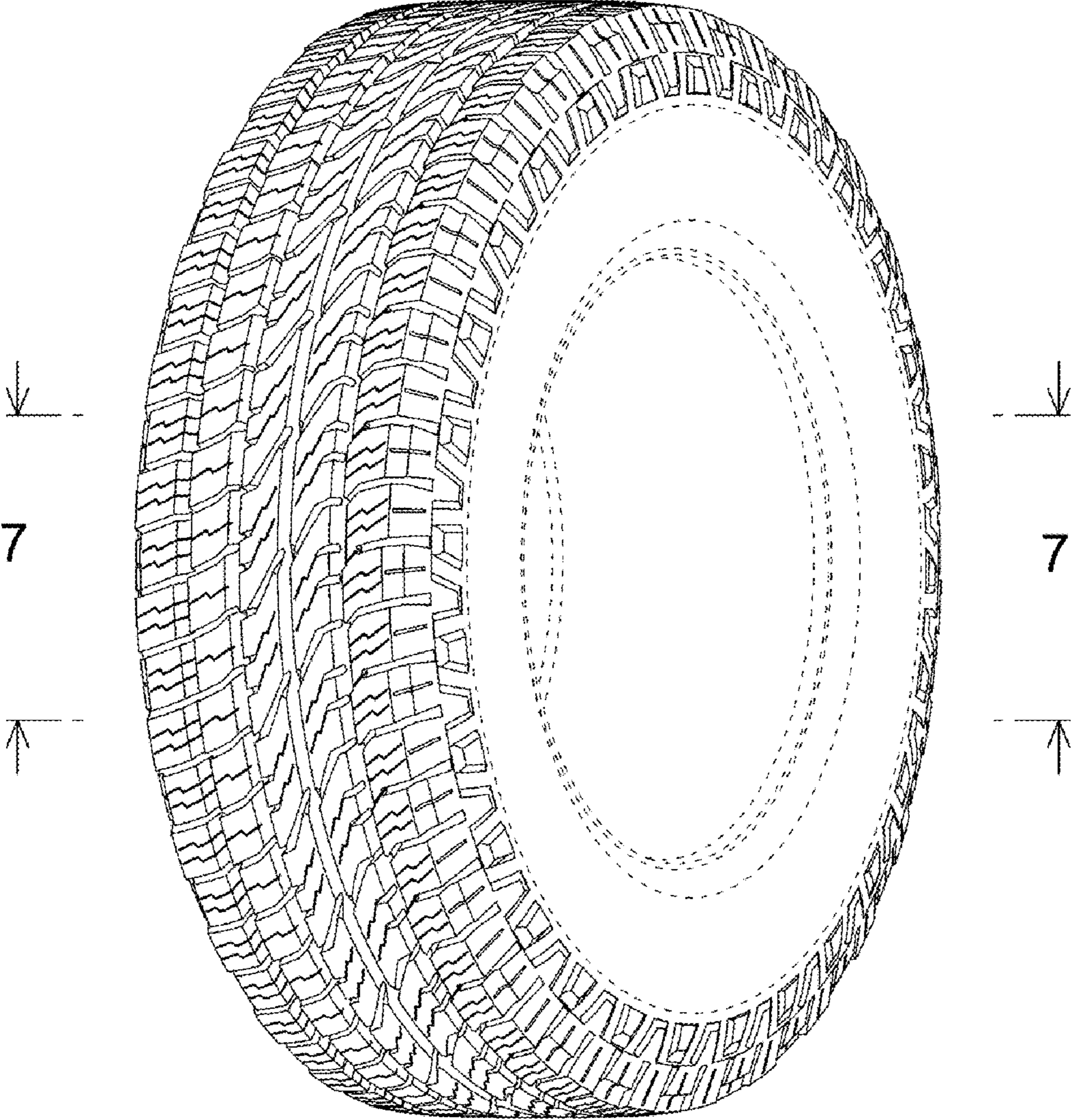


FIG. 1

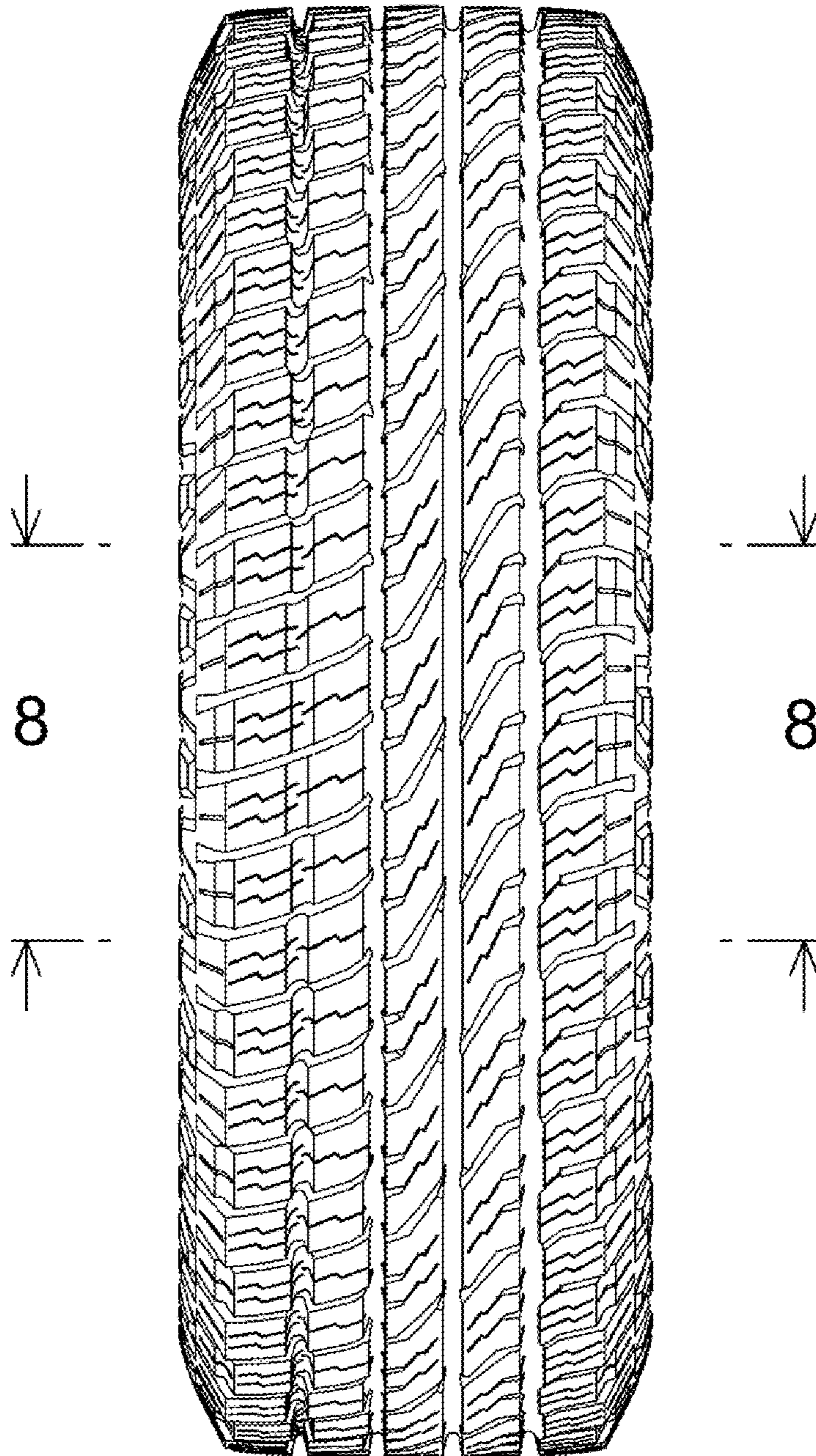


FIG. 2

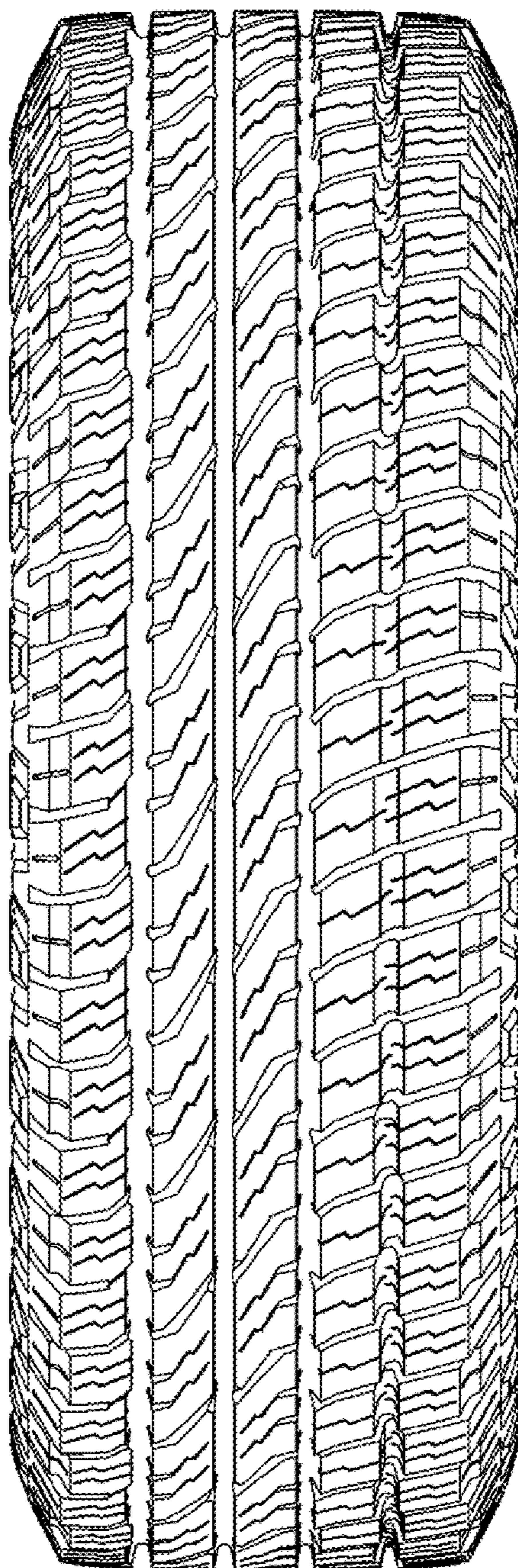


FIG. 3

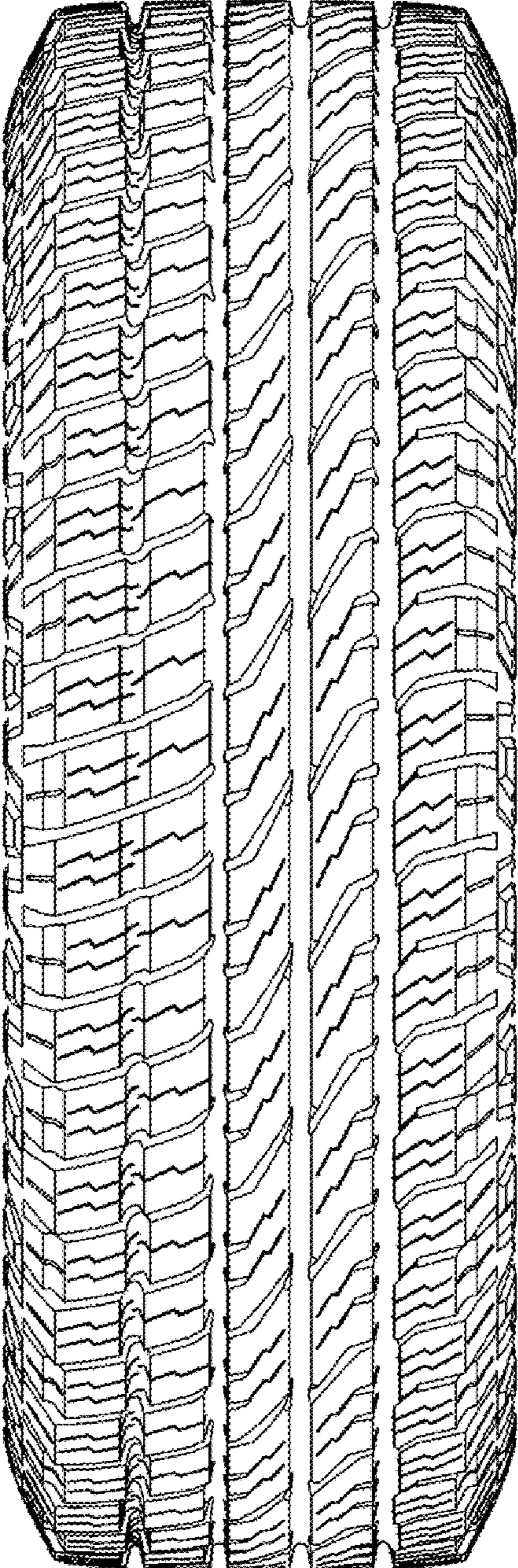


FIG. 4

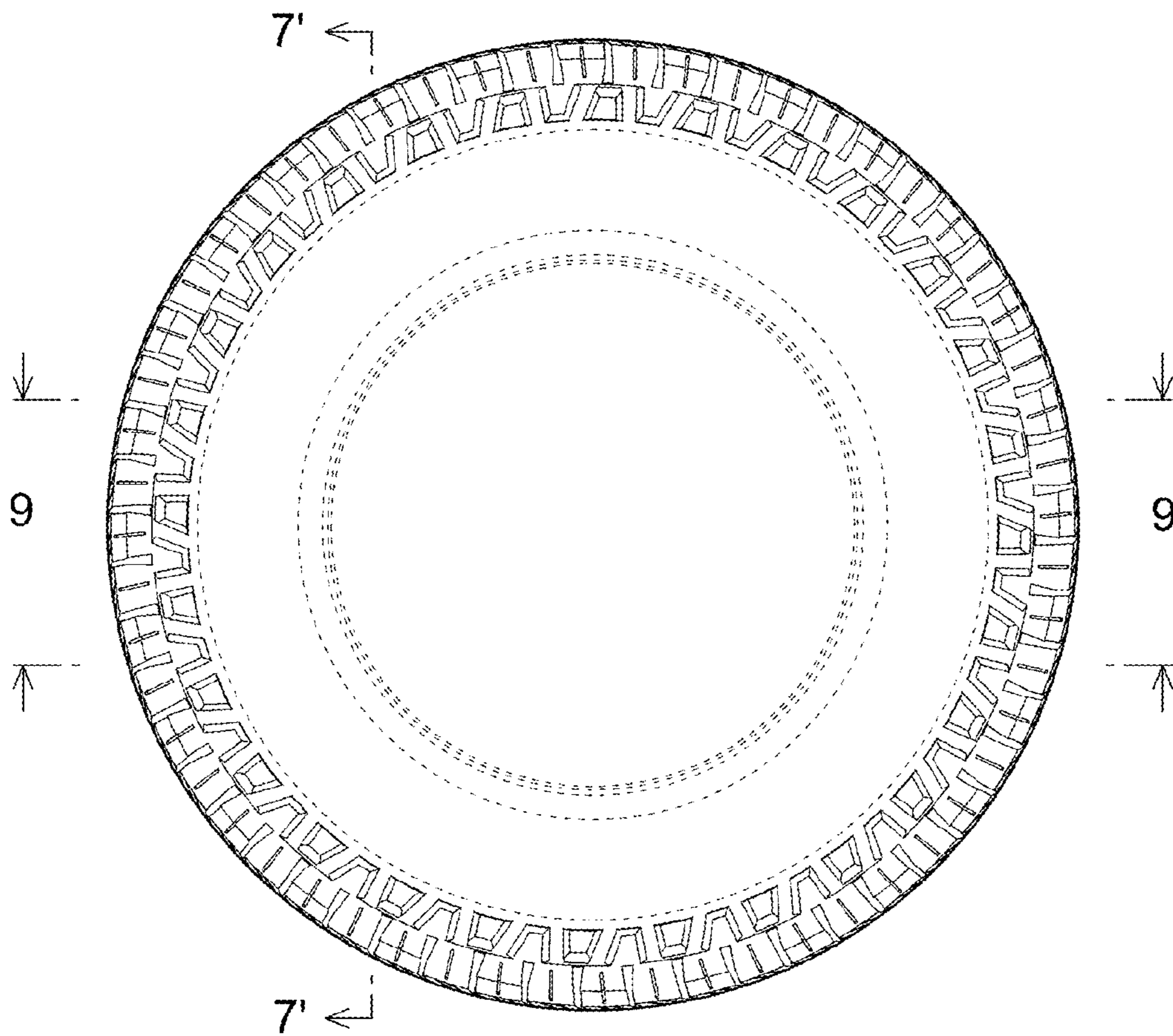


FIG. 5

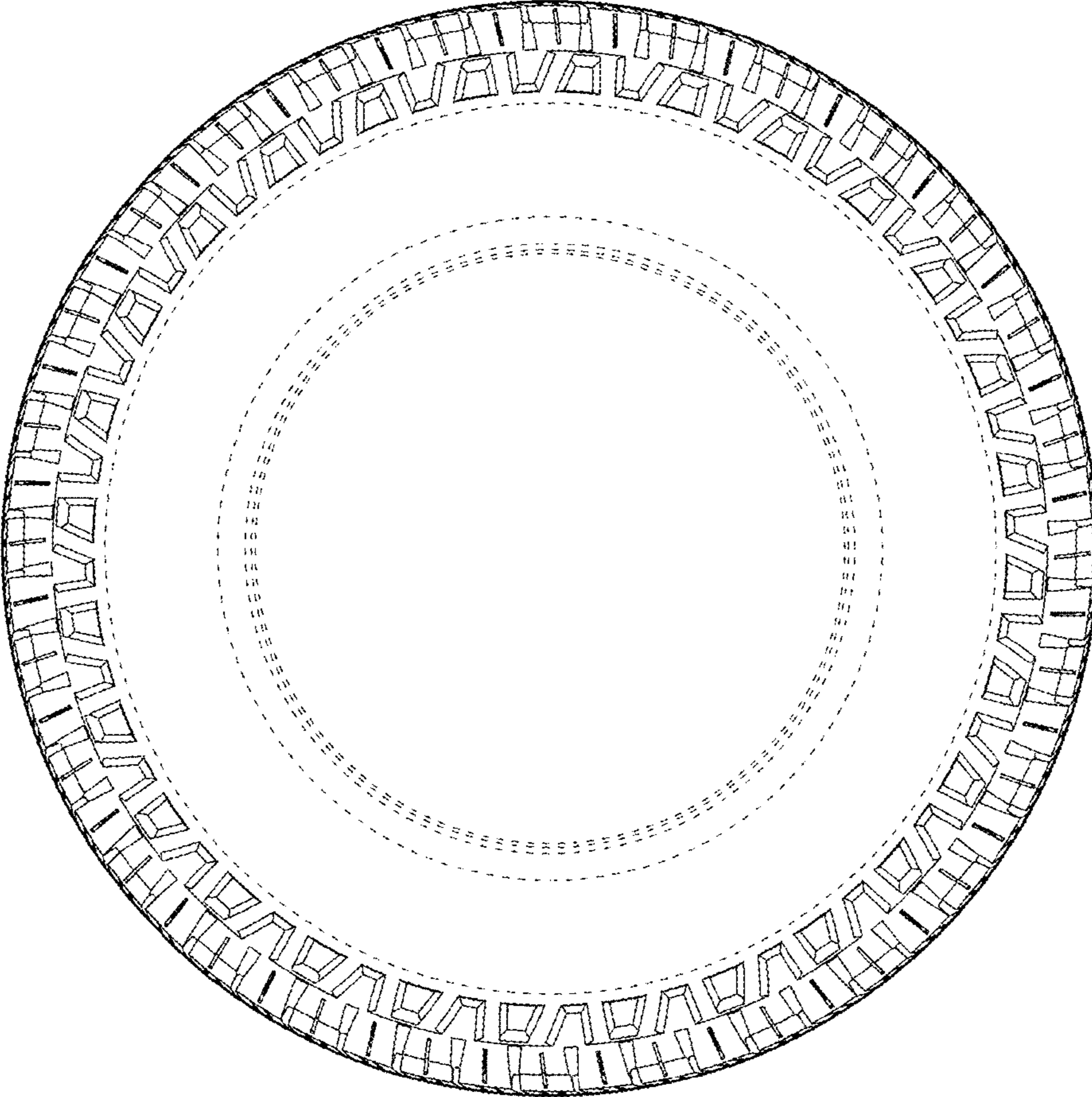


FIG. 6

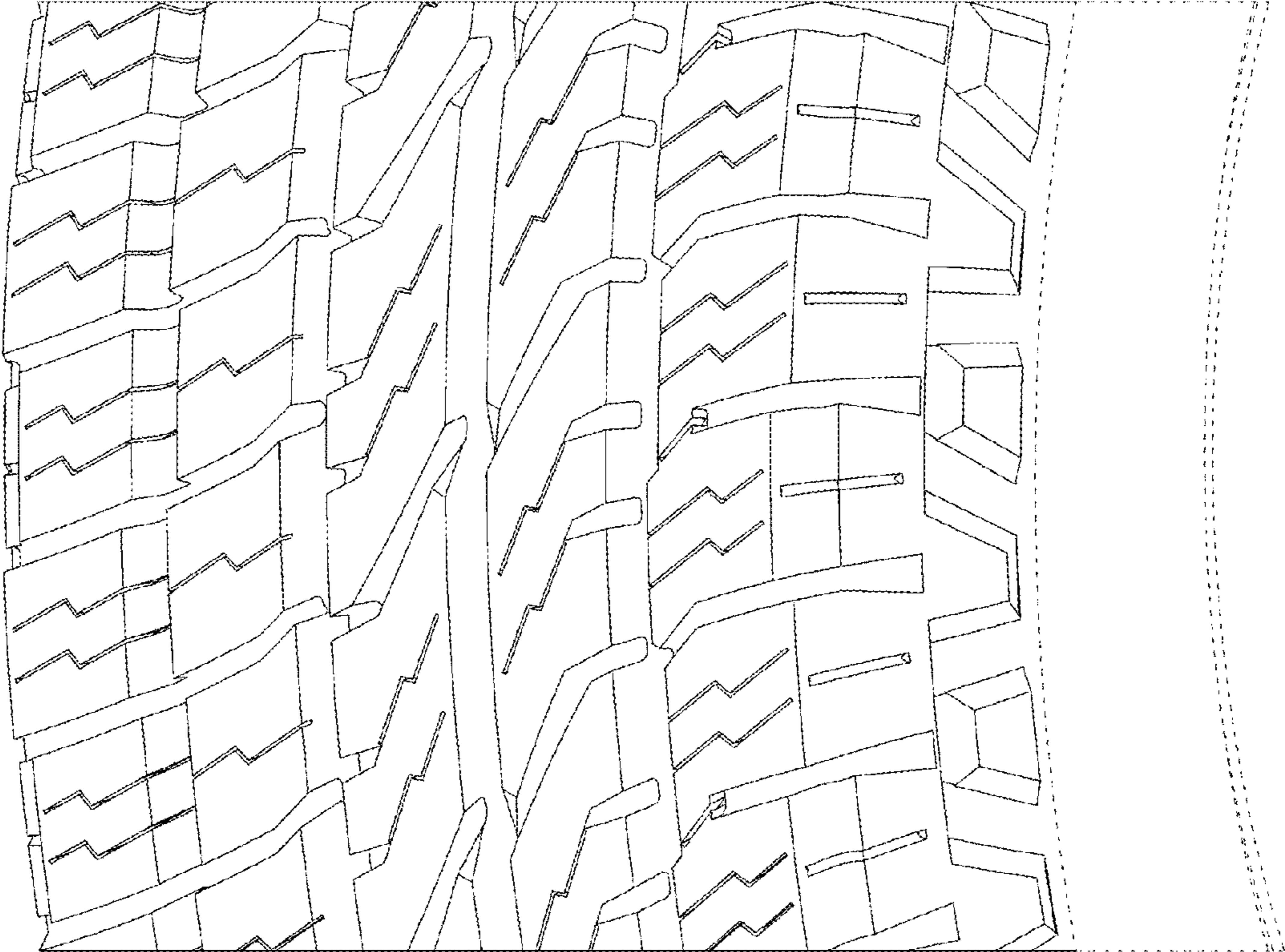


FIG. 7

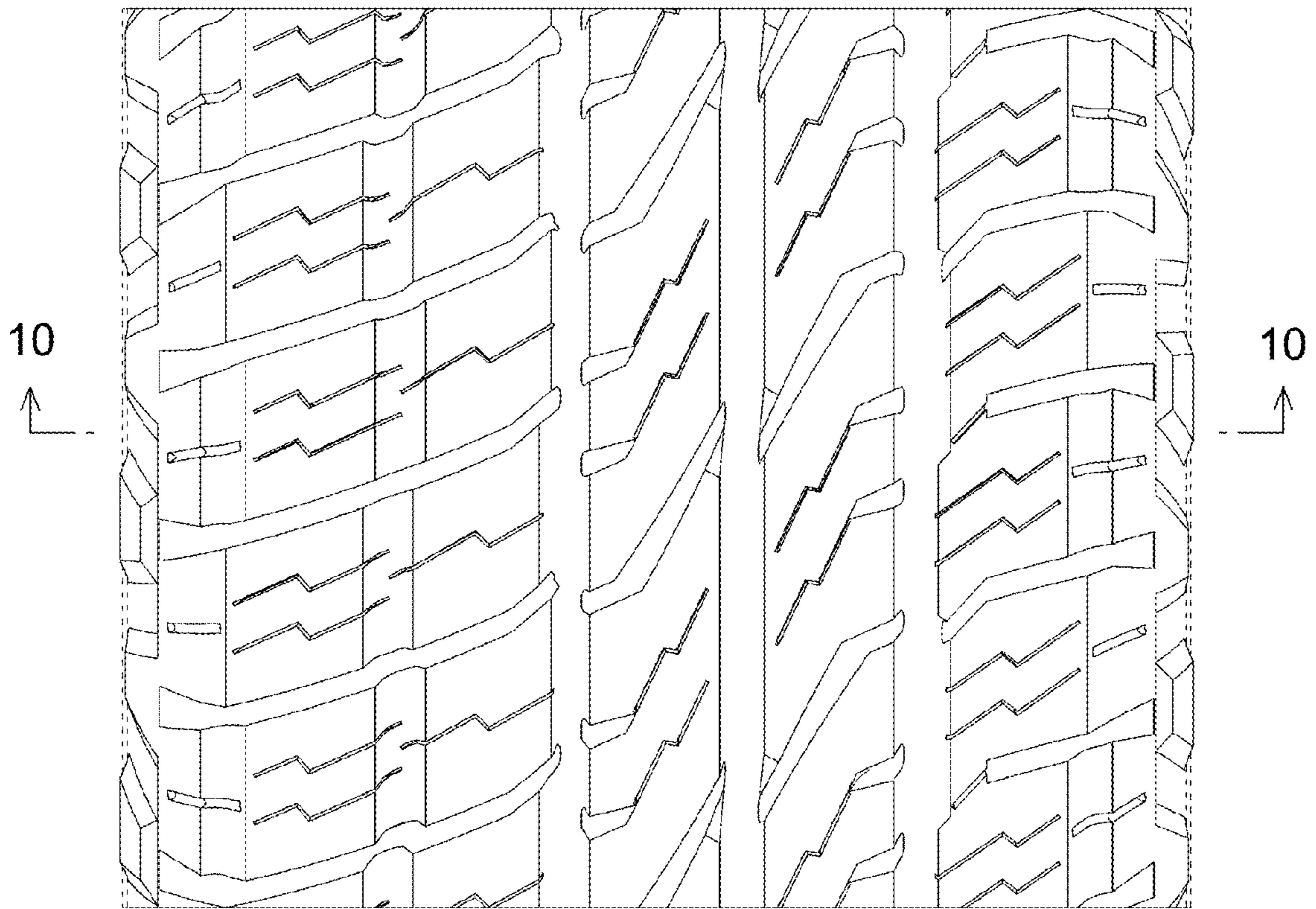


FIG. 8

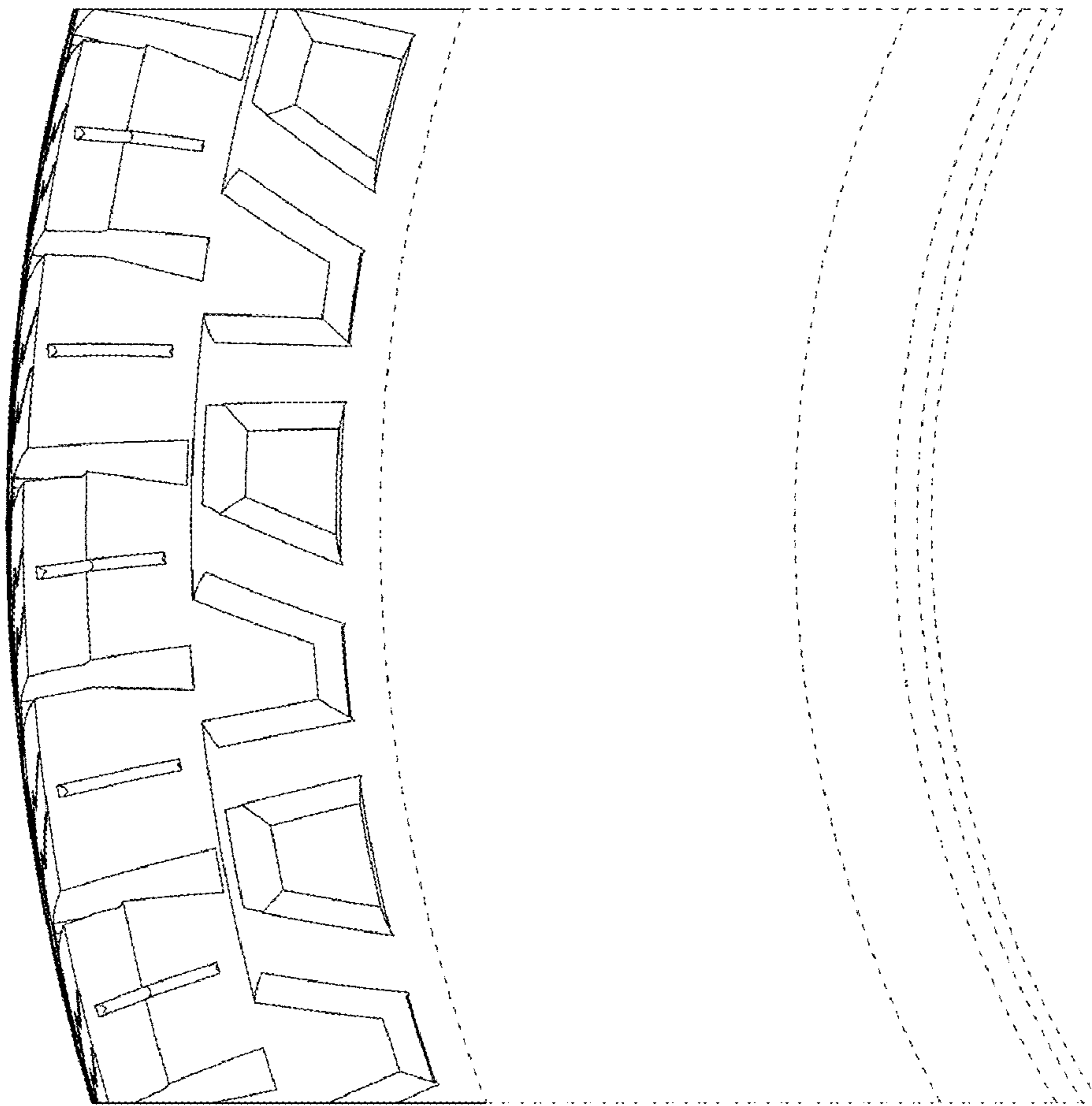


FIG. 9

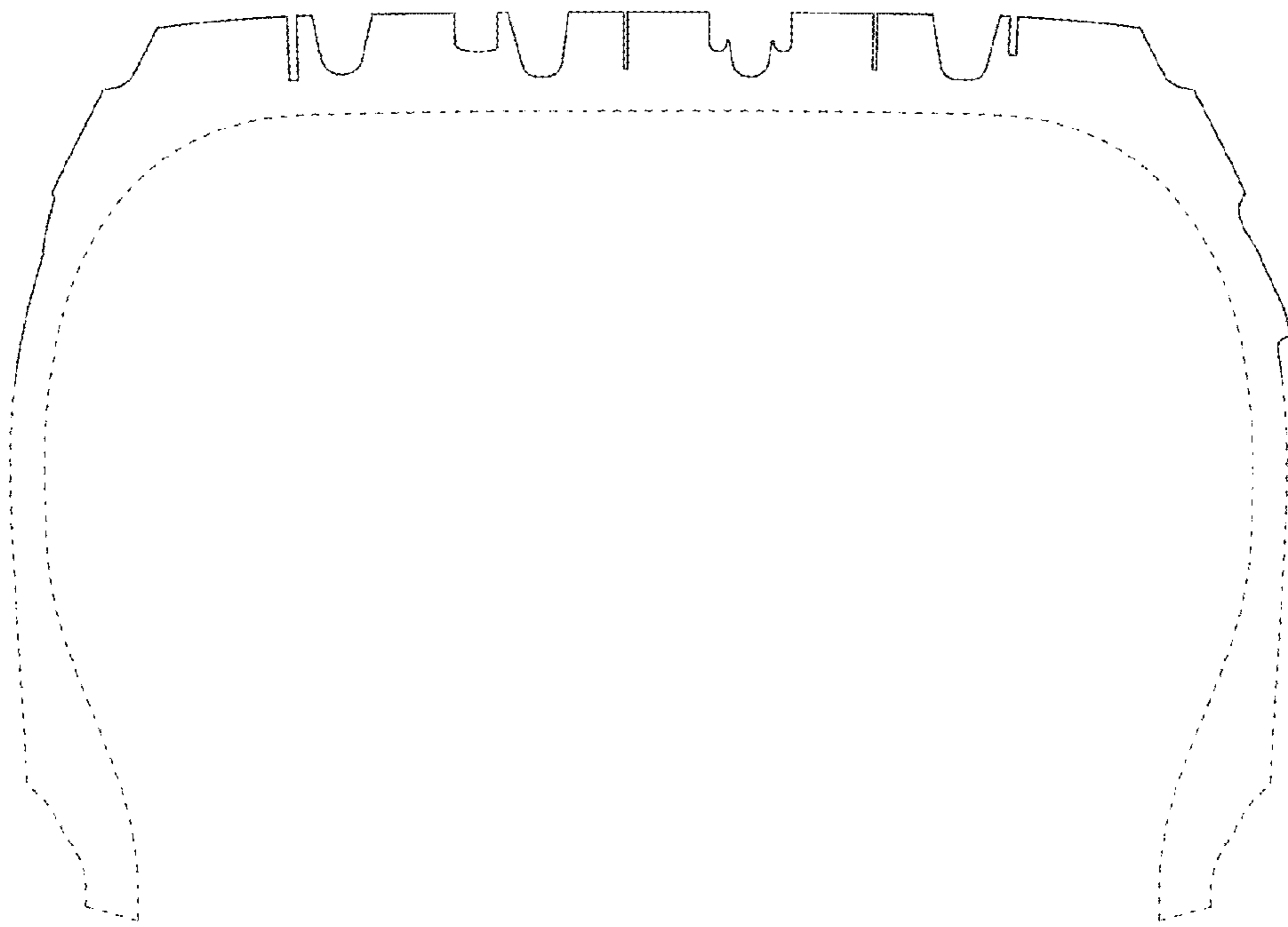


FIG. 10