



US00D647452S

(12) **United States Design Patent**
Laverack et al.

(10) **Patent No.:** **US D647,452 S**
(45) **Date of Patent:** **** Oct. 25, 2011**

(54) **CROSS-ORIENTED BICYCLE CRADLE**

D635,087 S * 3/2011 Flaherty et al. D12/408
* cited by examiner

(75) Inventors: **John R. Laverack**, Southbury, CT (US);
Kevin Bogoslofski, Southington, CT (US)

Primary Examiner — Susan M Lee
Assistant Examiner — Linda G. Brooks

(73) Assignee: **Thule Sweden AB**, Hillerstorp (SE)

(74) *Attorney, Agent, or Firm* — Novak Druce + Quigg LLP

(**) Term: **14 Years**

(57) **CLAIM**

We claim the ornamental design for a cross-oriented bicycle cradle, as shown and described.

(21) Appl. No.: **29/385,540**

(22) Filed: **Feb. 15, 2011**

DESCRIPTION

(51) **LOC (9) Cl.** **12-11**

(52) **U.S. Cl.** **D12/408**

(58) **Field of Classification Search** D12/406-408;
224/515, 545, 548, 552, 553, 42.11, 519,
224/495, 502, 505, 506, 324, 935, 421, 425-427,
224/496, 497, 499, 490-493, 403, 522, 924,
224/533; 280/288.4, 304.5

See application file for complete search history.

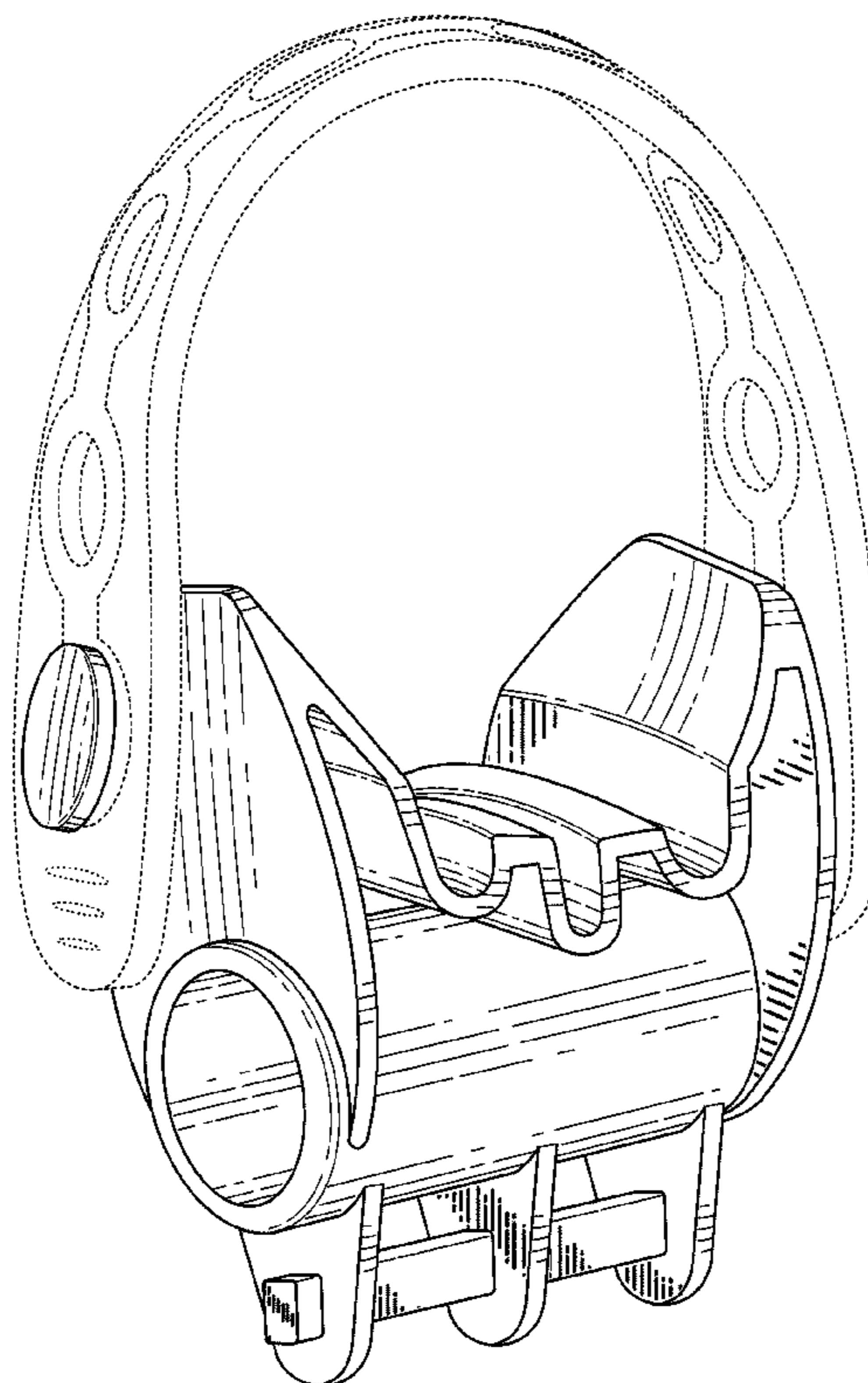
FIG. 1 is a front elevational view of a cross-oriented bicycle cradle;
FIG. 2 is a left side elevational view thereof;
FIG. 3 is a top plan view thereof;
FIG. 4 is a bottom plan view thereof;
FIG. 5 is a perspective view thereof;
FIG. 6 is an upper perspective view thereof;
FIG. 7 is a lower perspective view thereof;
FIG. 8 is a first environmental perspective view thereof; and,
FIG. 9 is a second environmental perspective view thereof.
The rear of the design is identical to the front of the design as illustrated in FIG. 1, and therefore is not shown. The right side of the design is identical to the left side of the design as shown in FIG. 2, and therefore is not shown. The broken lines are directed to environment and are for illustrative purposes only; the broken lines form no part of the claimed design.

(56) **References Cited**

U.S. PATENT DOCUMENTS

D378,289	S *	3/1997	Lundgren	D12/412
6,988,645	B1 *	1/2006	Nusbaum et al.	224/519
D612,320	S *	3/2010	Flaherty et al.	D12/408
7,757,917	B2 *	7/2010	Bogoslofski et al.	224/537
D624,004	S *	9/2010	Farber	D12/408
D634,258	S *	3/2011	Farber	D12/408
D634,697	S *	3/2011	Weaver et al.	D12/408

1 Claim, 9 Drawing Sheets



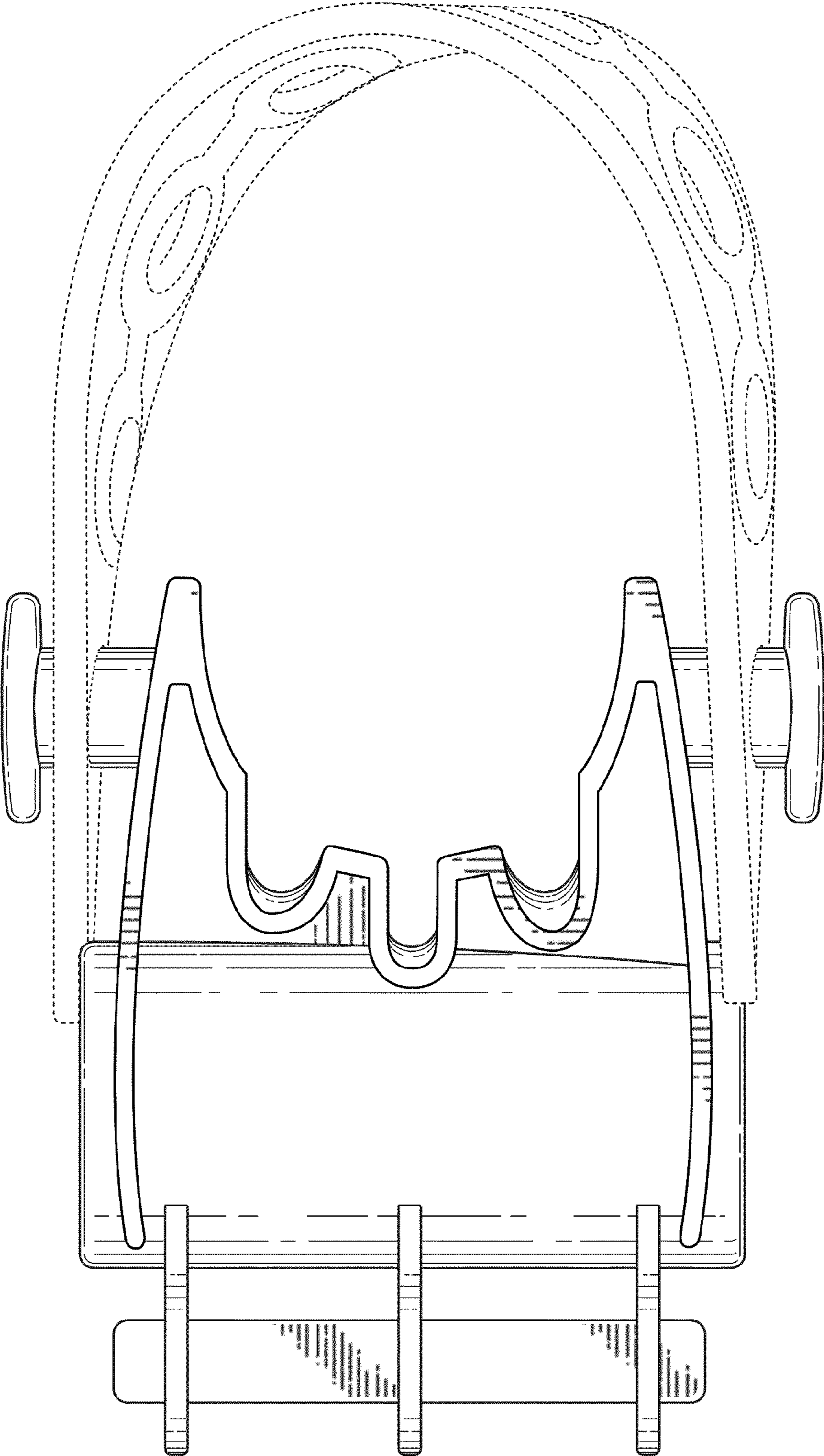


FIG. 1

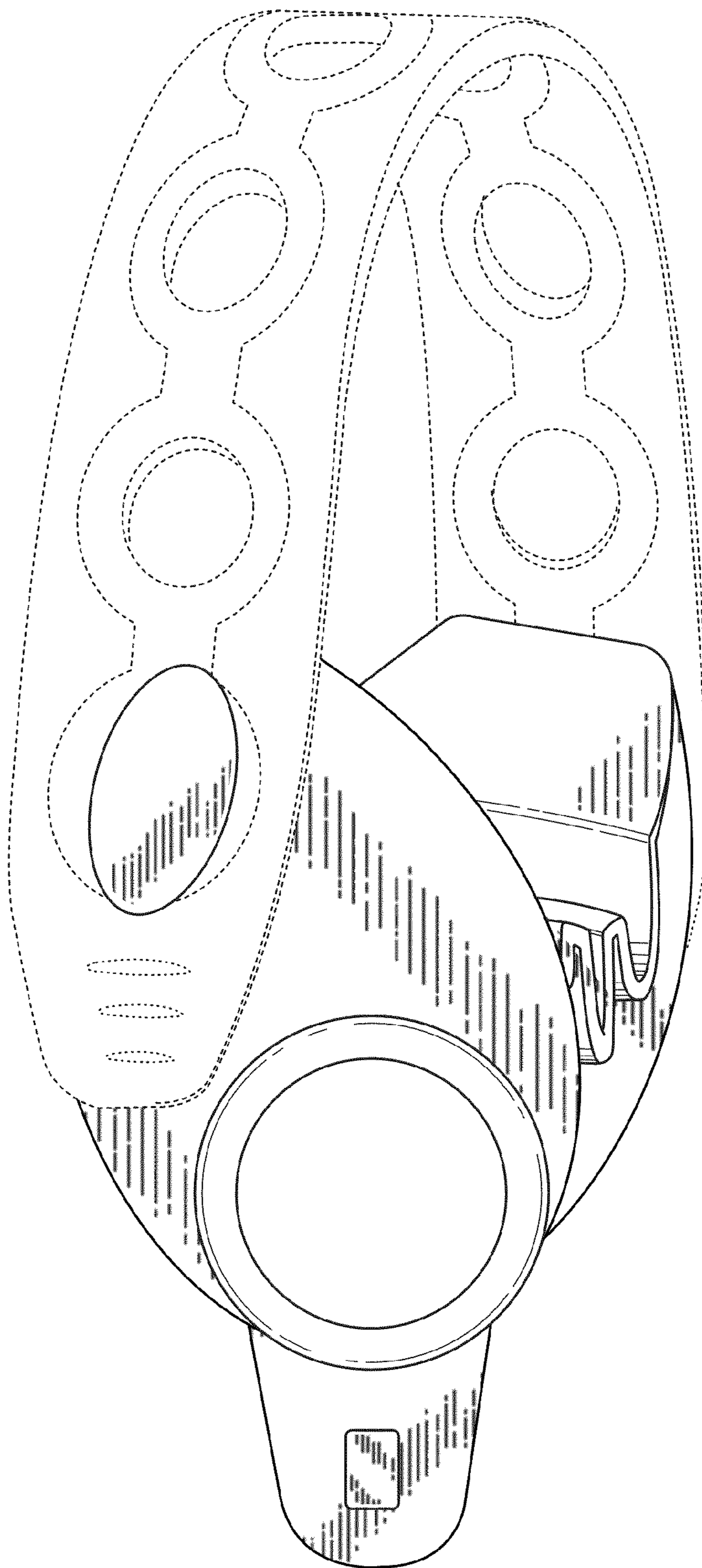


FIG. 2

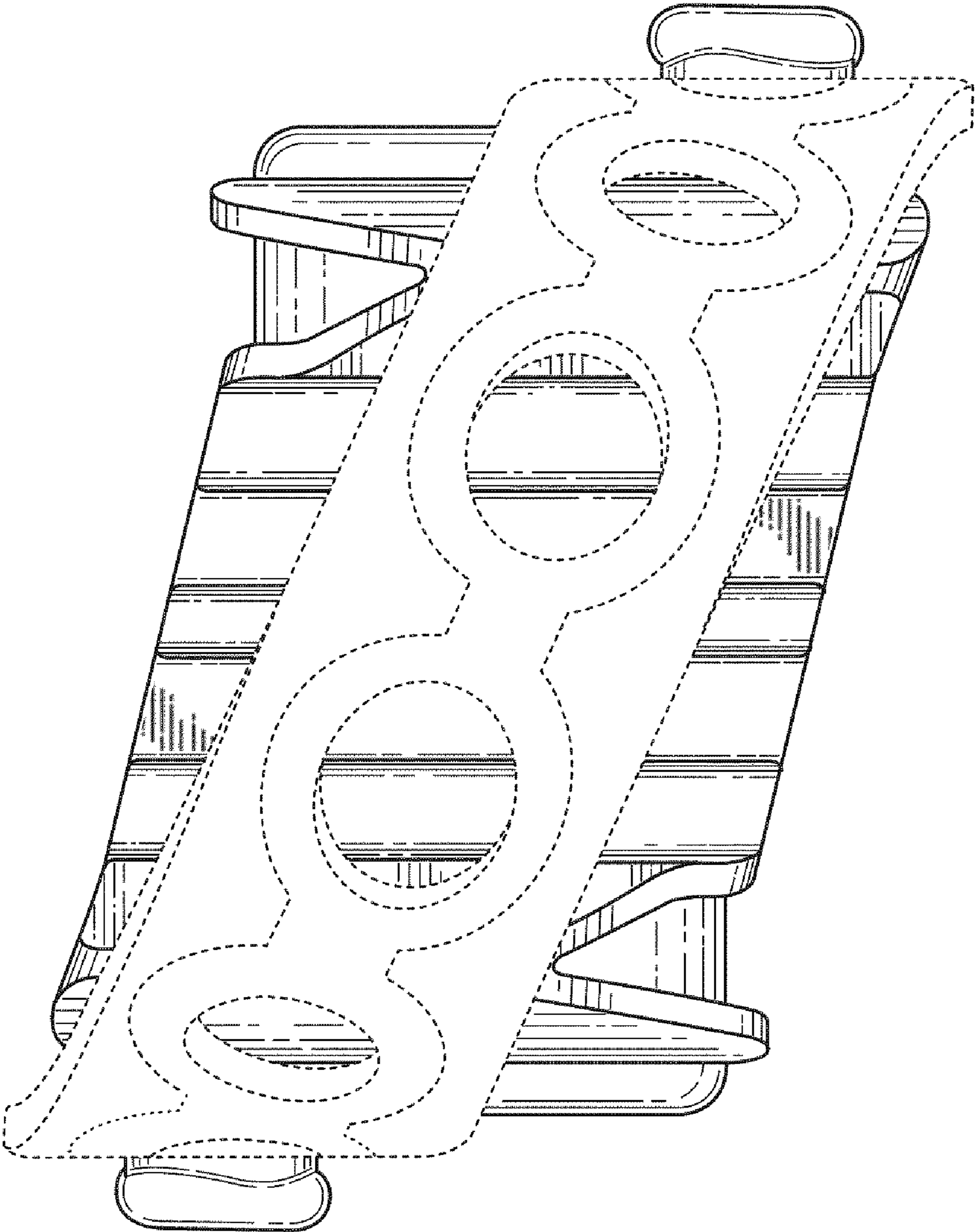


FIG. 3

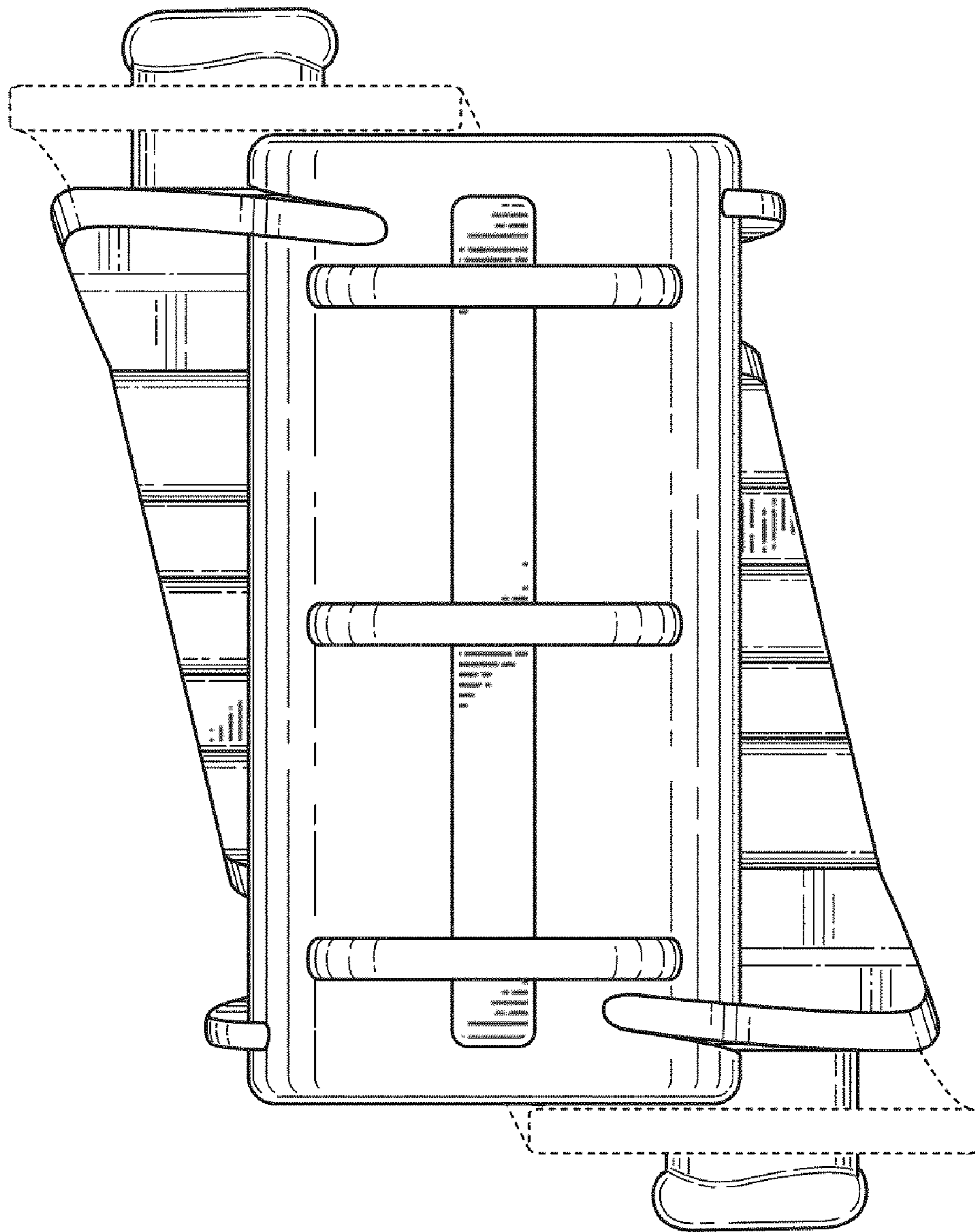


FIG. 4

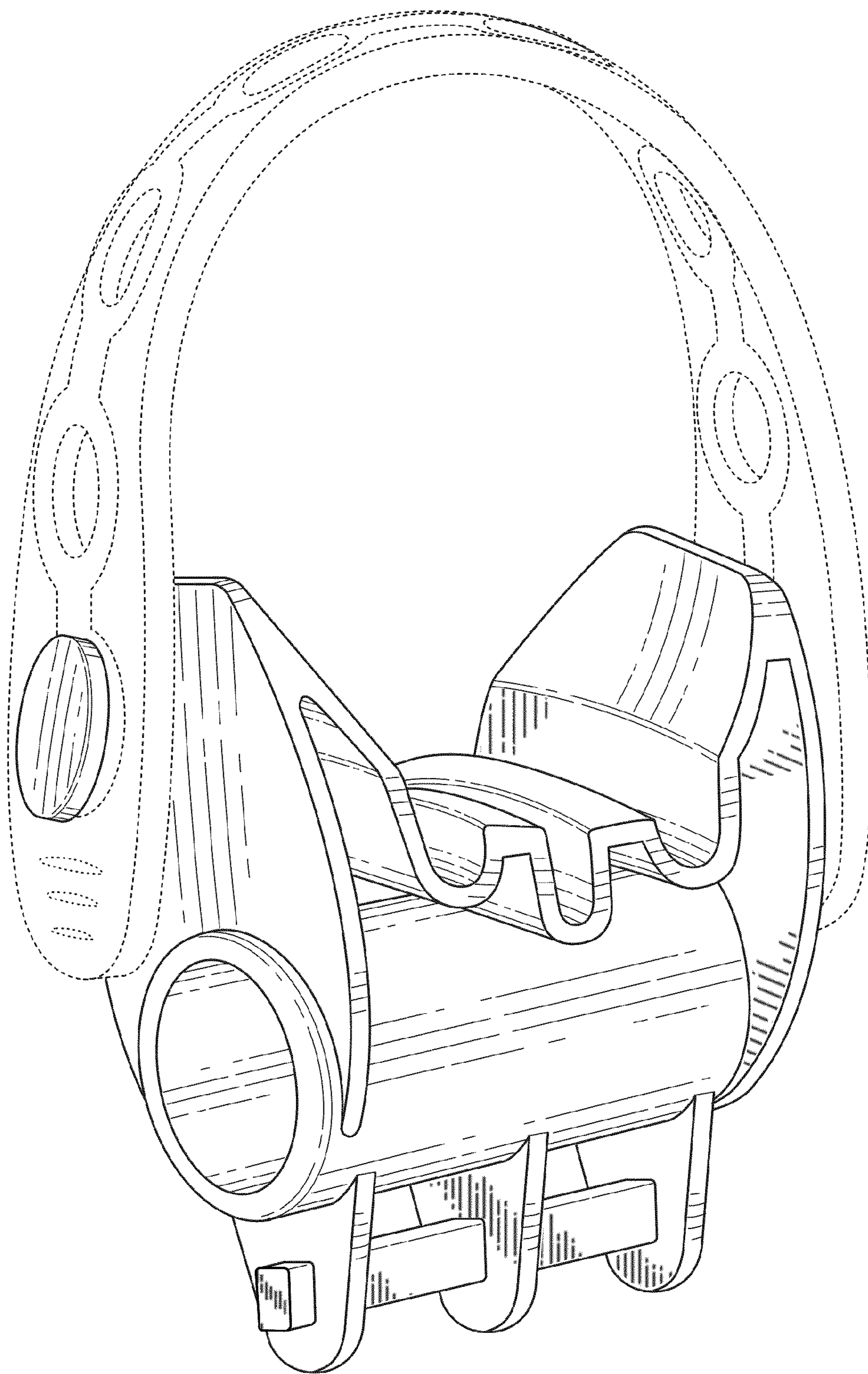


FIG. 5

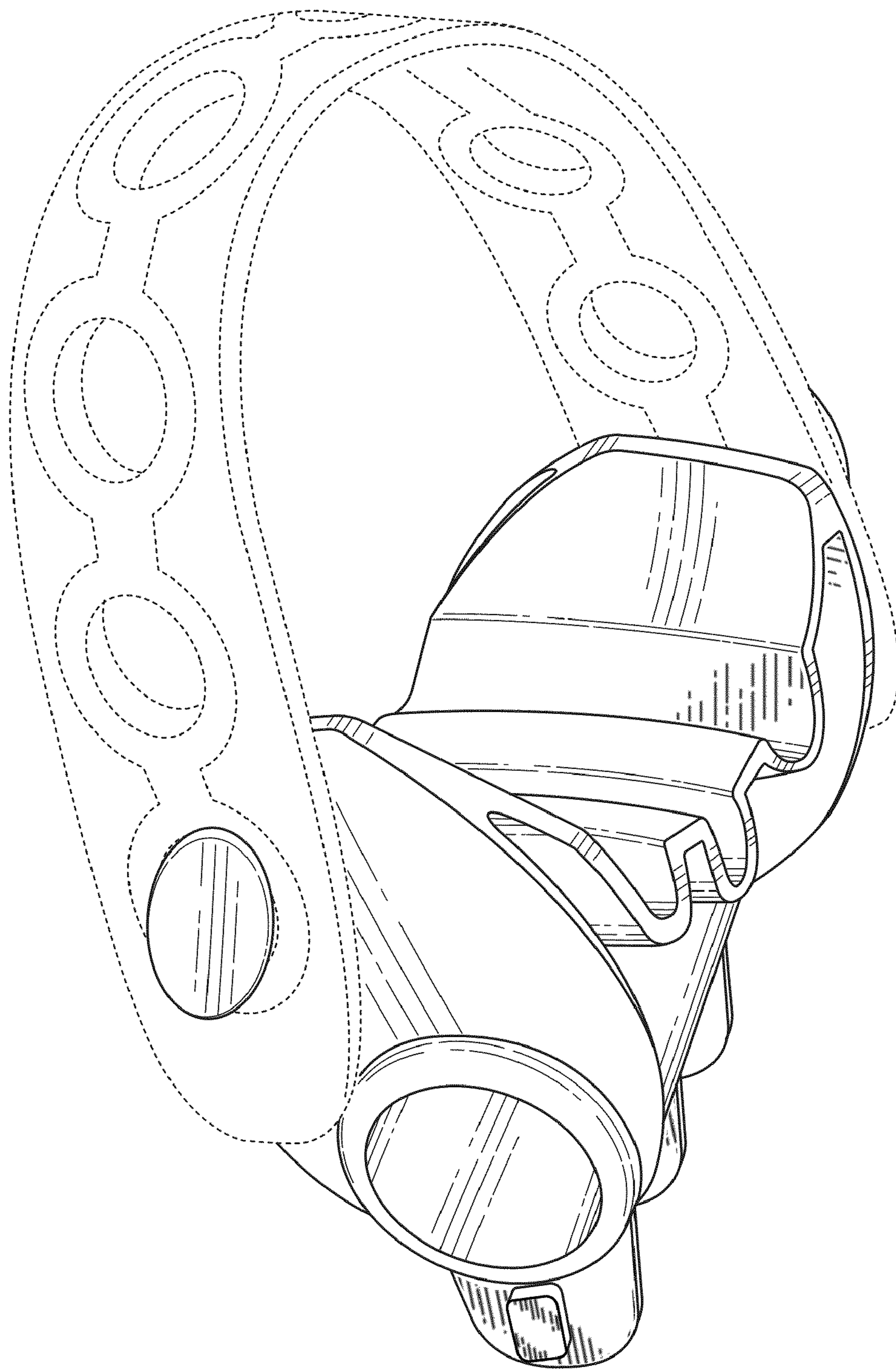


FIG. 6

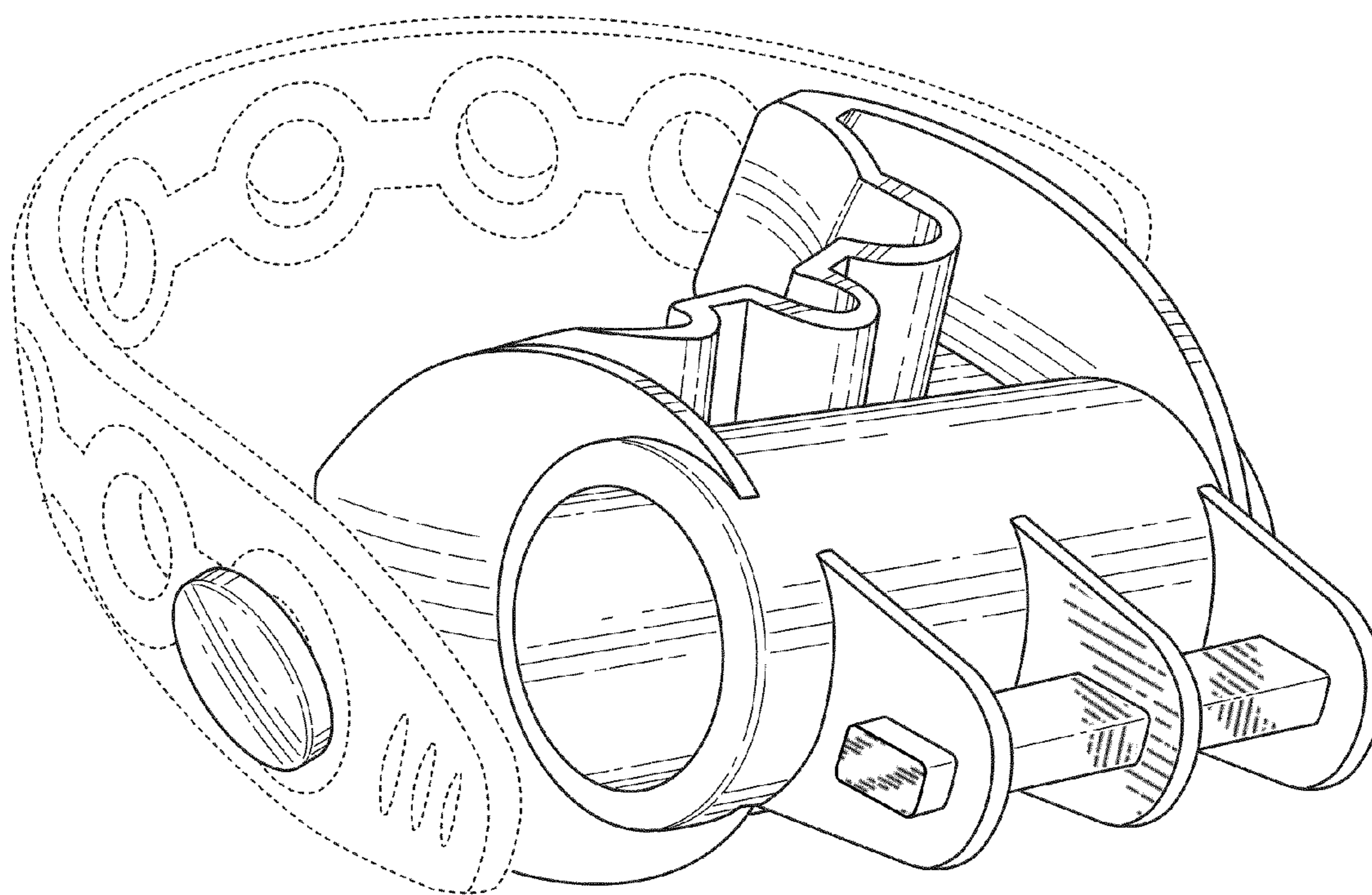


FIG. 7

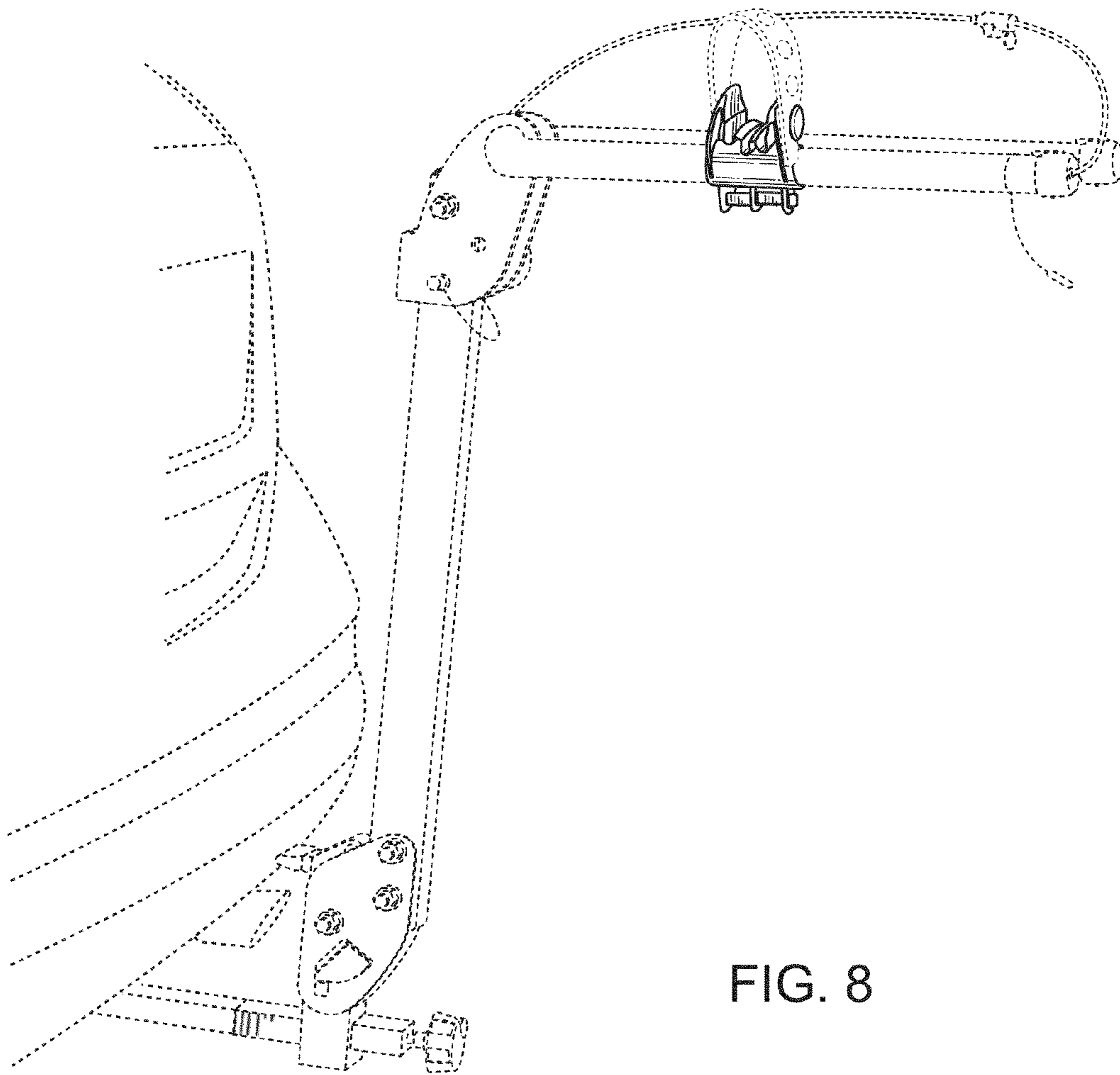


FIG. 8

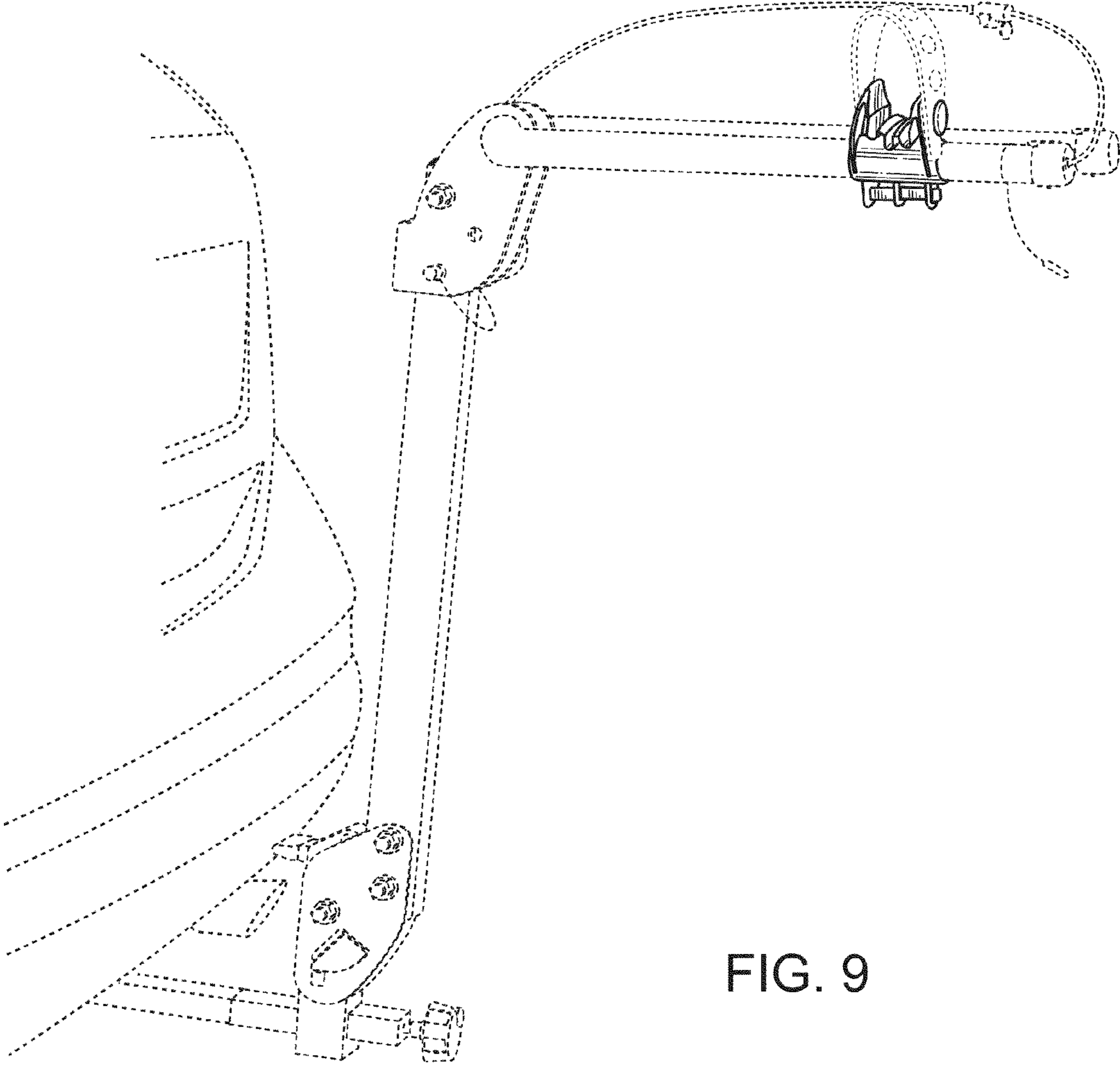


FIG. 9