



US00D647451S

(12) **United States Design Patent**  
**Lin**

(10) **Patent No.:** **US D647,451 S**

(45) **Date of Patent:** **\*\* Oct. 25, 2011**

(54) **WINDSHIELD WIPER**

(76) Inventor: **Chin-Lien Lin**, Taipei (TW)

(\*\*) Term: **14 Years**

(21) Appl. No.: **29/384,346**

(22) Filed: **Jan. 30, 2011**

(51) **LOC (9) Cl.** ..... **12-06**

(52) **U.S. Cl.** ..... **D12/220**

(58) **Field of Classification Search** ..... D12/219-220;  
15/246, 247, 250.001, 250.4, 250.19, 250.48,  
15/250.03, 250.31-250.33, 250.351, 250.38,  
15/250.201, 250.451, 250.458, 250.04, 250.07,  
15/250.44

See application file for complete search history.

(56) **References Cited**

U.S. PATENT DOCUMENTS

70,199	A *	10/1867	Kim	408/121
7,150,795	B2 *	12/2006	Javaruski et al.	134/6
7,171,717	B2 *	2/2007	Leu	15/250.201
D556,116	S *	11/2007	Kim	D12/219
D556,117	S *	11/2007	Kim	D12/219
7,621,016	B2 *	11/2009	Verelst et al.	15/250.32
7,827,652	B2 *	11/2010	Yang et al.	15/250.32
7,921,503	B1 *	4/2011	Chiang	15/250.32

2002/0069475	A1 *	6/2002	Lee	15/250.201
2003/0037398	A1 *	2/2003	Zimmer et al.	15/250.44
2008/0098554	A1 *	5/2008	Cho	15/250.32

\* cited by examiner

*Primary Examiner* — Caron D Veynar

*Assistant Examiner* — Katrina Kile

(57) **CLAIM**

The ornamental design for a windshield wiper, as shown and described.

**DESCRIPTION**

FIG. 1 is an upper perspective view of a windshield wiper showing my new design;

FIG. 2 is a front view of the design shown in FIG. 1;

FIG. 3 is a rear view of the embodiment shown in FIG. 1;

FIG. 4 is a left side view of the embodiment shown in FIG. 1;

FIG. 5 is a right side view of the embodiment shown in FIG. 1;

1;

FIG. 6 is a top view of the embodiment shown in FIG. 1;

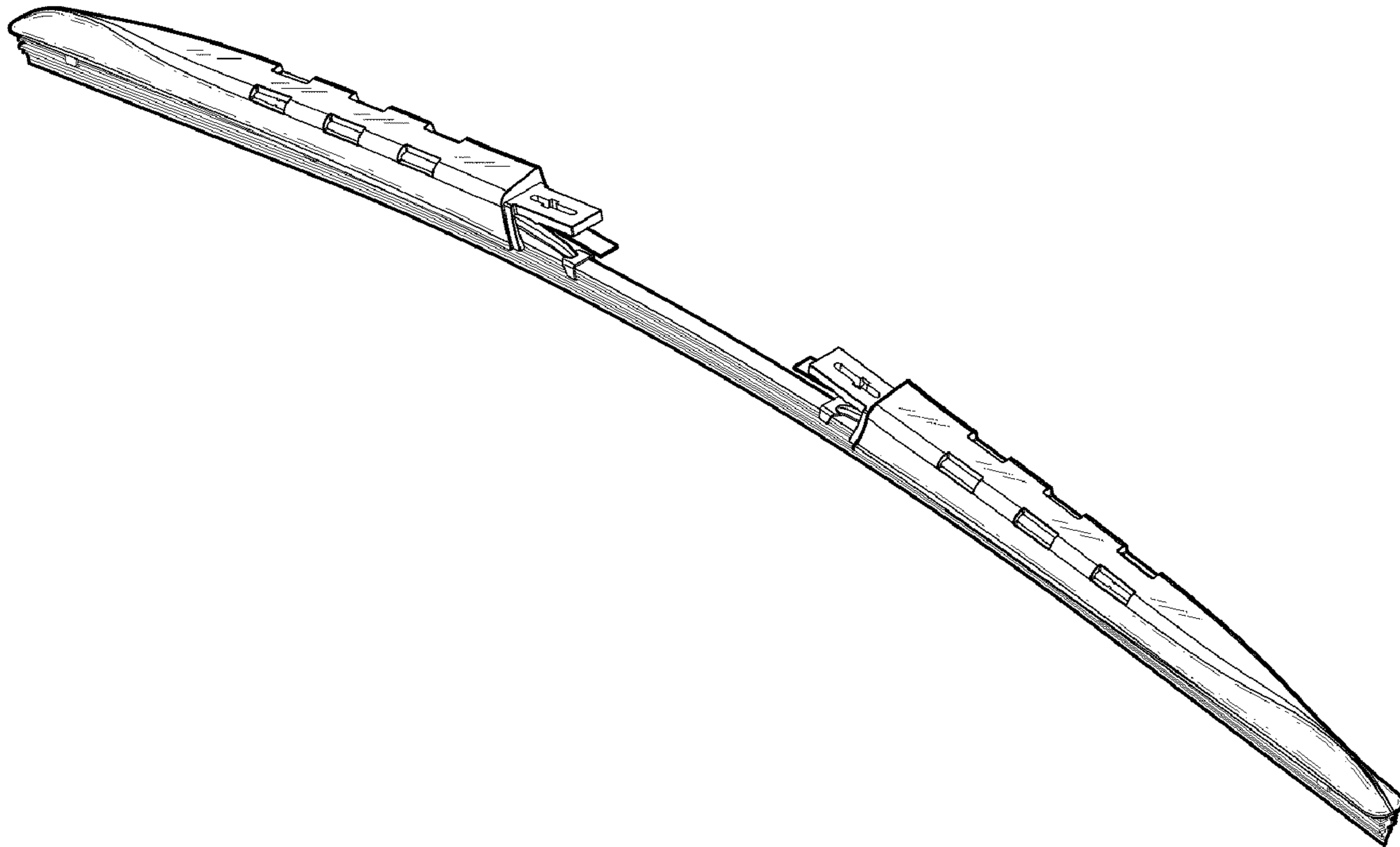
FIG. 7 is a bottom view of the embodiment shown in FIG. 1;

and,

FIG. 8 is a perspective view of the design shown in FIG. 1.

In the drawings, the broken lines in FIG. 8 depict portions of a windshield wiper that form no part of the claim.

**1 Claim, 5 Drawing Sheets**



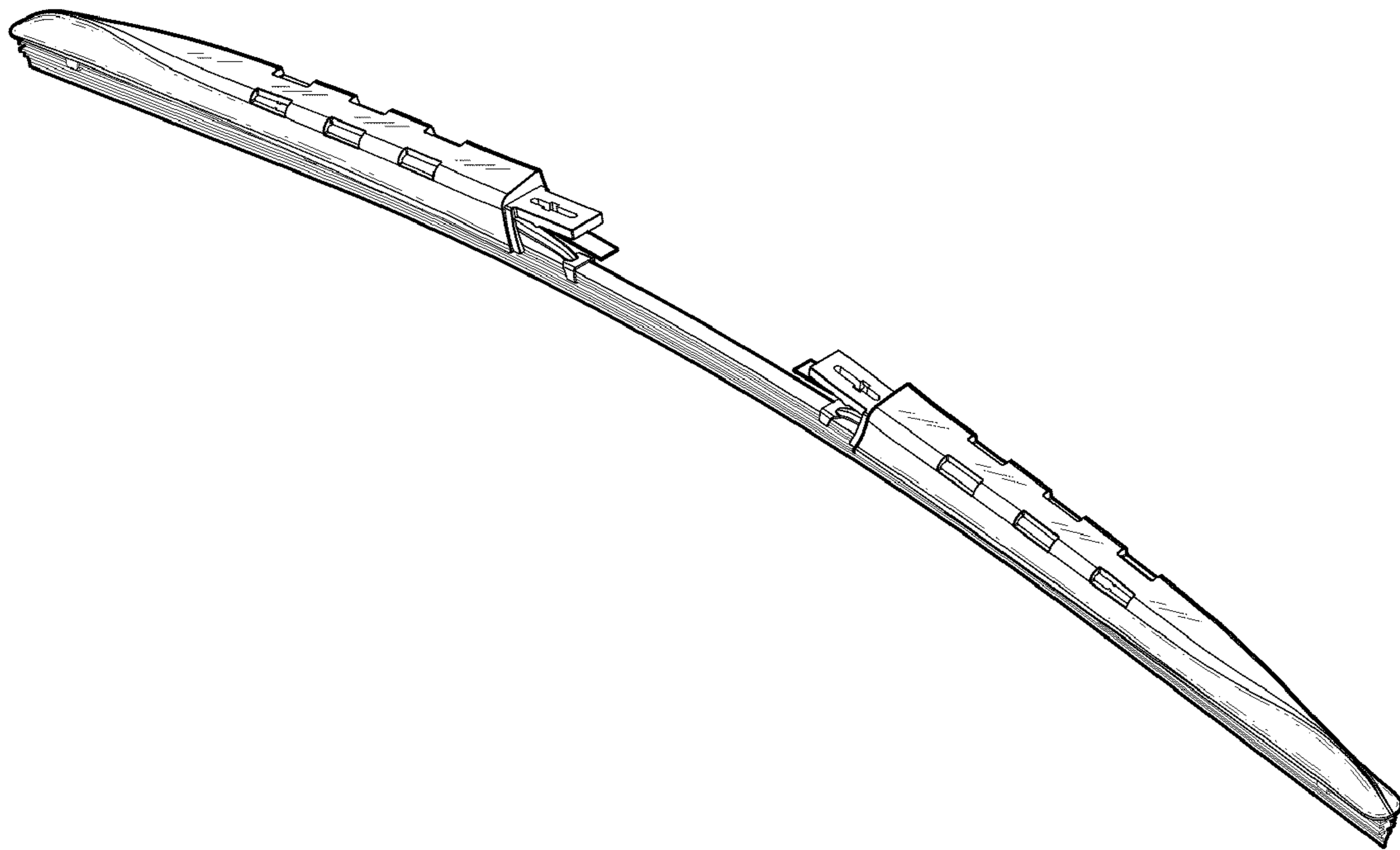


FIG. 1



FIG. 2

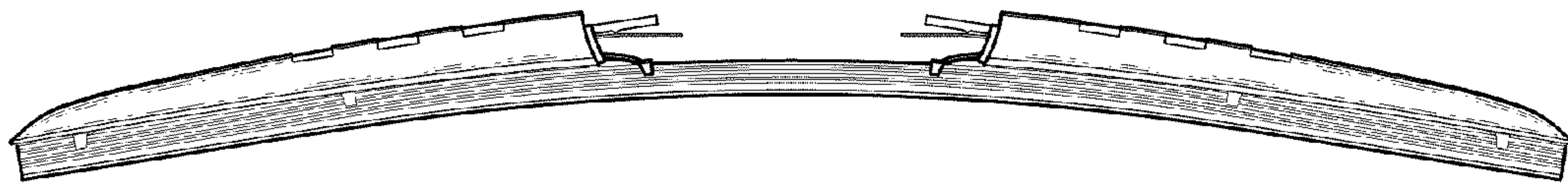


FIG. 3



FIG. 4



FIG. 5



FIG. 6



FIG. 7

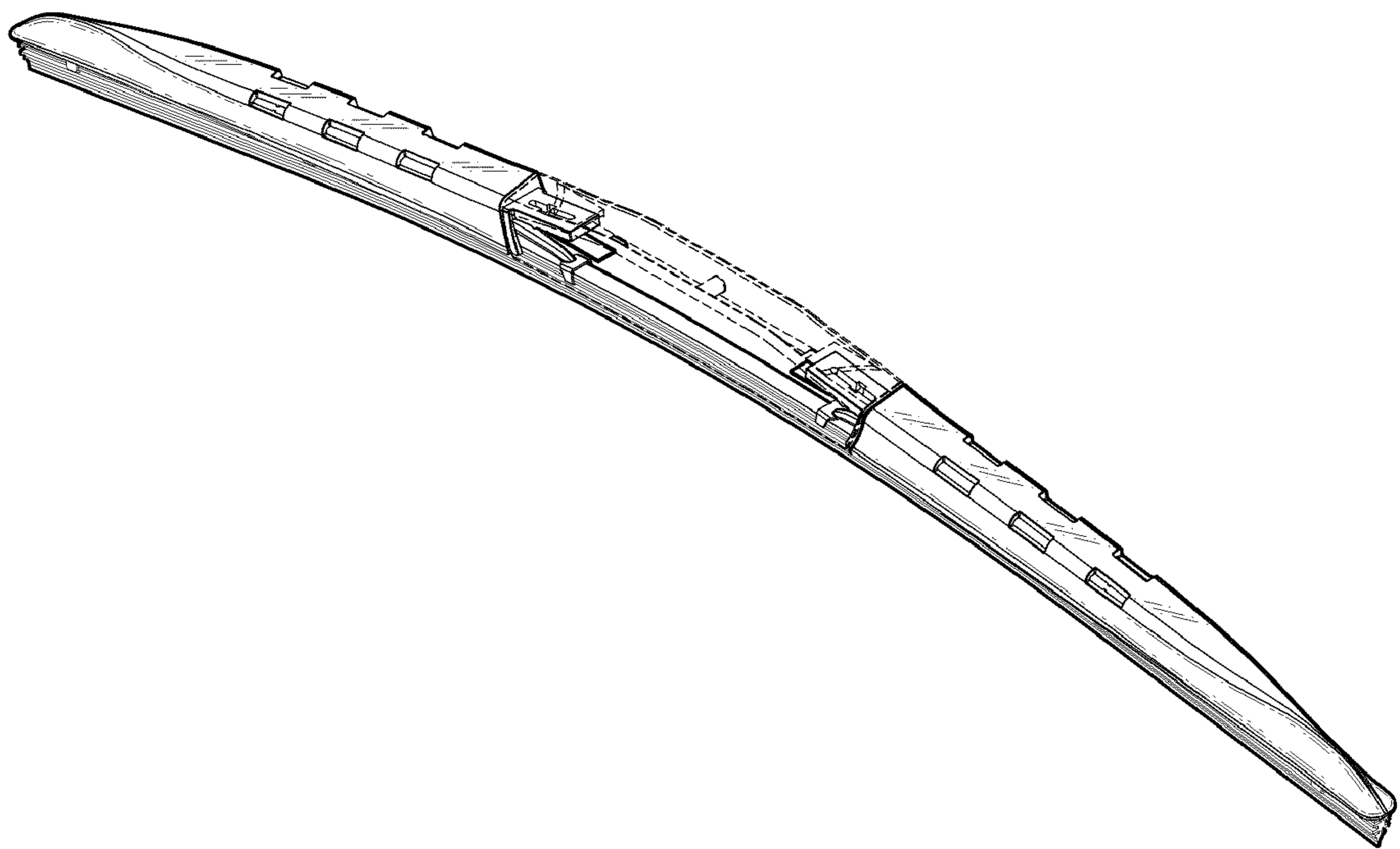


FIG. 8