



US00D647450S

(12) **United States Design Patent**
Platto et al.

(10) **Patent No.:** **US D647,450 S**
(45) **Date of Patent:** **** Oct. 25, 2011**

(54) **VEHICLE WHEEL**

(75) Inventors: **Gordon M Platto**, Troy, MI (US); **Earl Clyde Lucas**, Essex (GB); **Dong Park**, Royal Oak, MI (US)

(73) Assignee: **Ford Global Technologies, LLC**, Dearborn, MI (US)

(**) Term: **14 Years**

(21) Appl. No.: **29/393,592**

(22) Filed: **Jun. 7, 2011**

(51) **LOC (9) Cl.** **12-16**

(52) **U.S. Cl.** **D12/209**

(58) **Field of Classification Search** D12/204-213;
301/37.101, 64.101, 65, 64.201
See application file for complete search history.

(56) **References Cited**

U.S. PATENT DOCUMENTS

D500,005 S	*	12/2004	van Hooydonk	D12/211
D515,493 S	*	2/2006	Schaefers	D12/211
D516,991 S	*	3/2006	Guevara	D12/211
D526,947 S	*	8/2006	Kim	D12/209
D526,948 S	*	8/2006	Truebsbach	D12/211
D527,333 S	*	8/2006	Blasi	D12/211

D528,959 S	*	9/2006	Sycha	D12/209
D533,827 S	*	12/2006	Aydin	D12/211
D535,603 S	*	1/2007	Guevara	D12/209
D567,738 S	*	4/2008	Habib et al.	D12/211
D612,787 S	*	3/2010	Juergens et al.	D12/209
D617,719 S	*	6/2010	Zhao	D12/211
D618,151 S	*	6/2010	Junker	D12/209
D620,870 S	*	8/2010	Powell	D12/211
D622,649 S	*	8/2010	Weil	D12/209
D635,076 S	*	3/2011	De Bono	D12/209

OTHER PUBLICATIONS

Ford Taurus, New York International Auto Show, Apr. 25, 2011.

* cited by examiner

Primary Examiner — Stacia Cadmus

(74) *Attorney, Agent, or Firm* — Damian Porcari

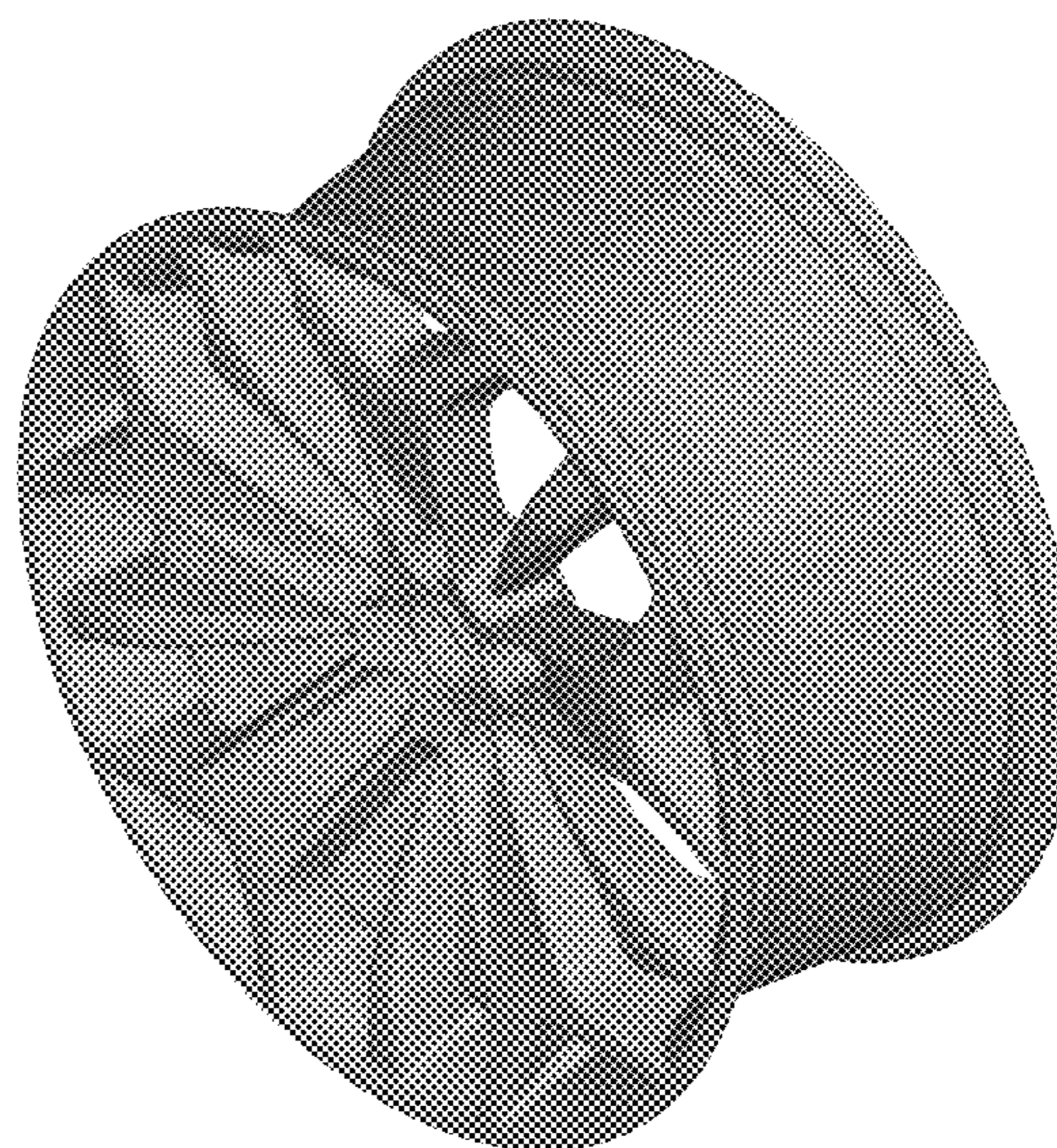
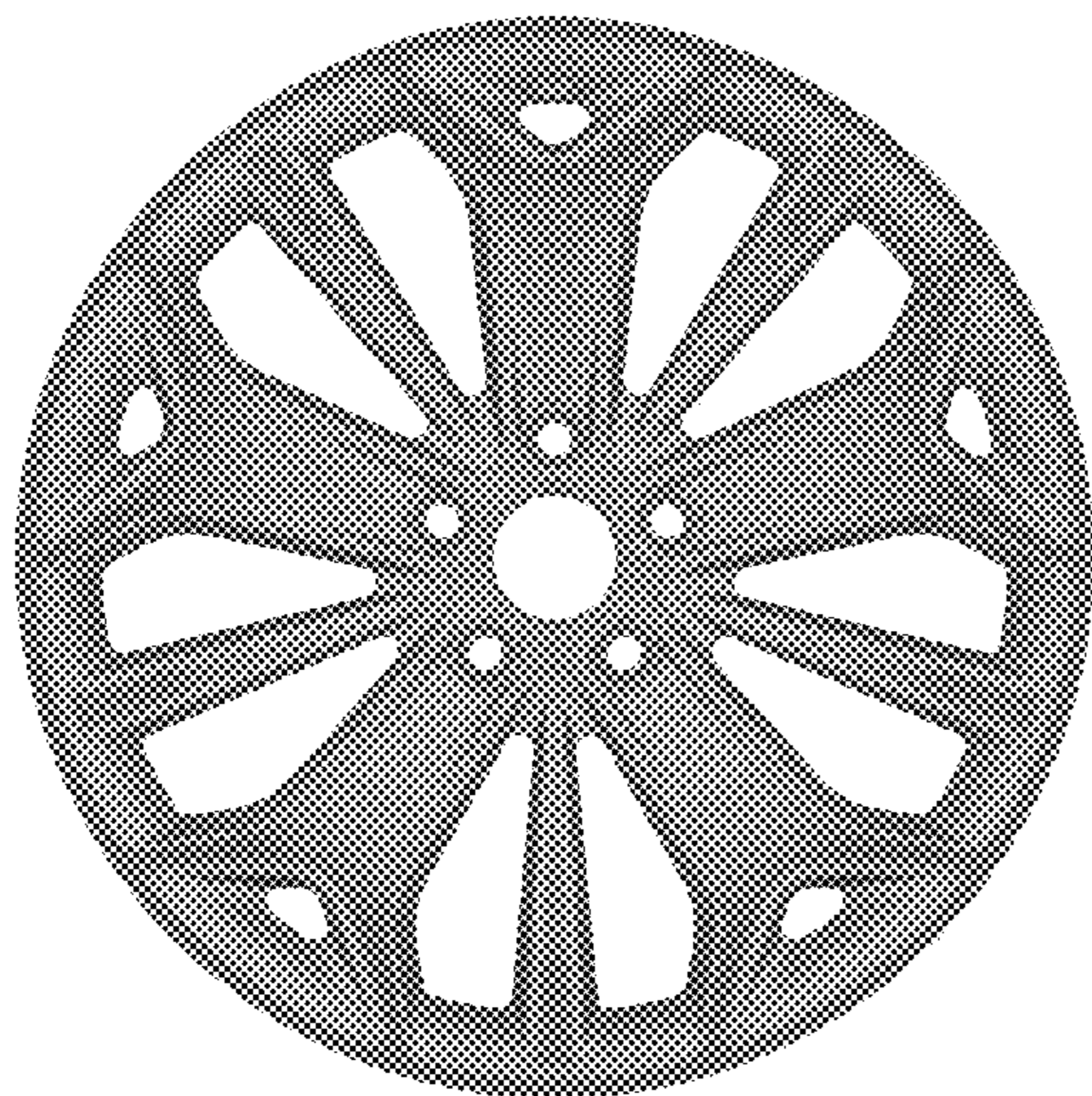
(57) **CLAIM**

The ornamental design for a vehicle wheel, as shown and described.

DESCRIPTION

FIG. 1 is a front view of a vehicle wheel; and,
FIG. 2 is a perspective view of the vehicle wheel.

1 Claim, 2 Drawing Sheets



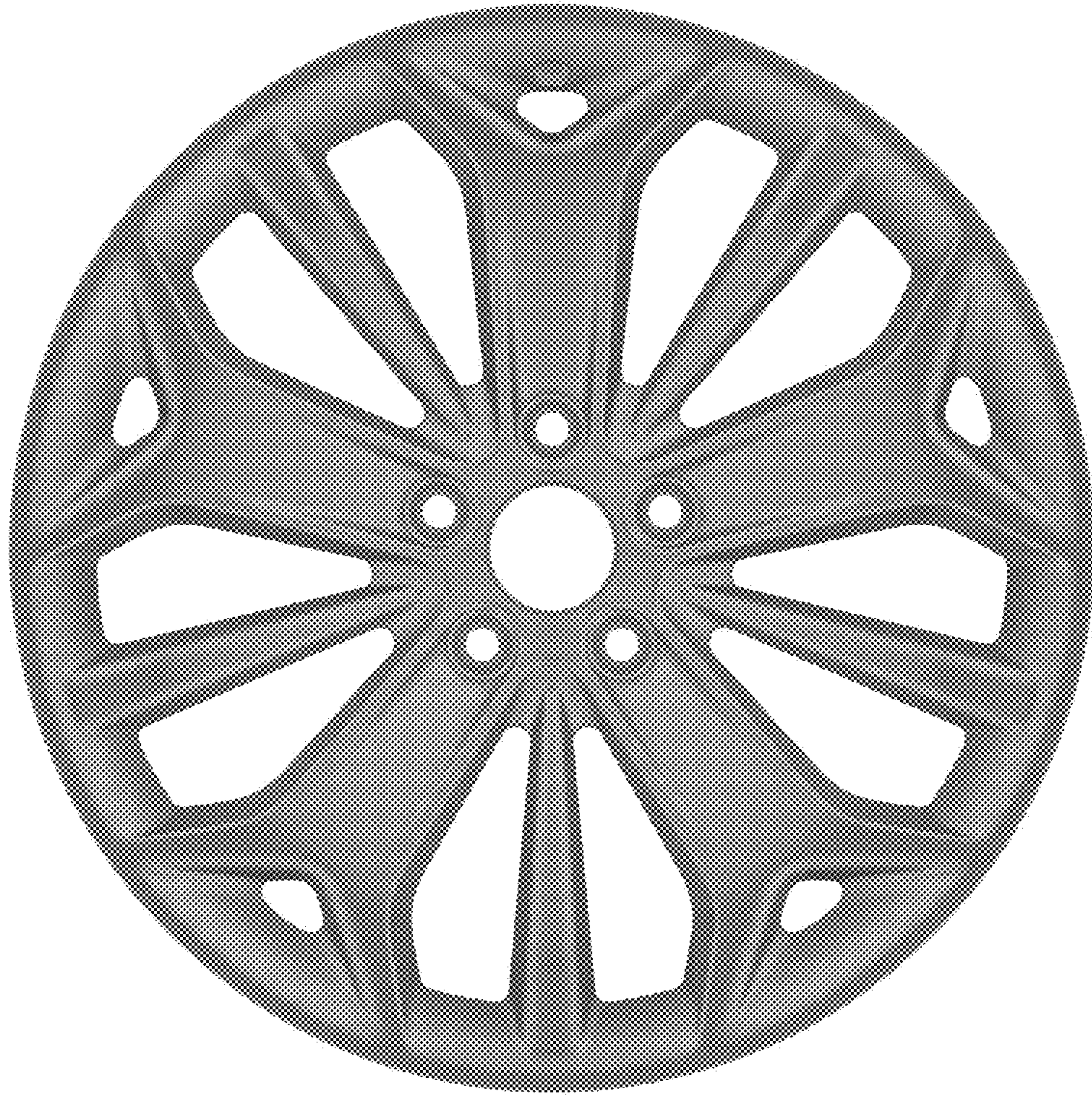


Figure 1

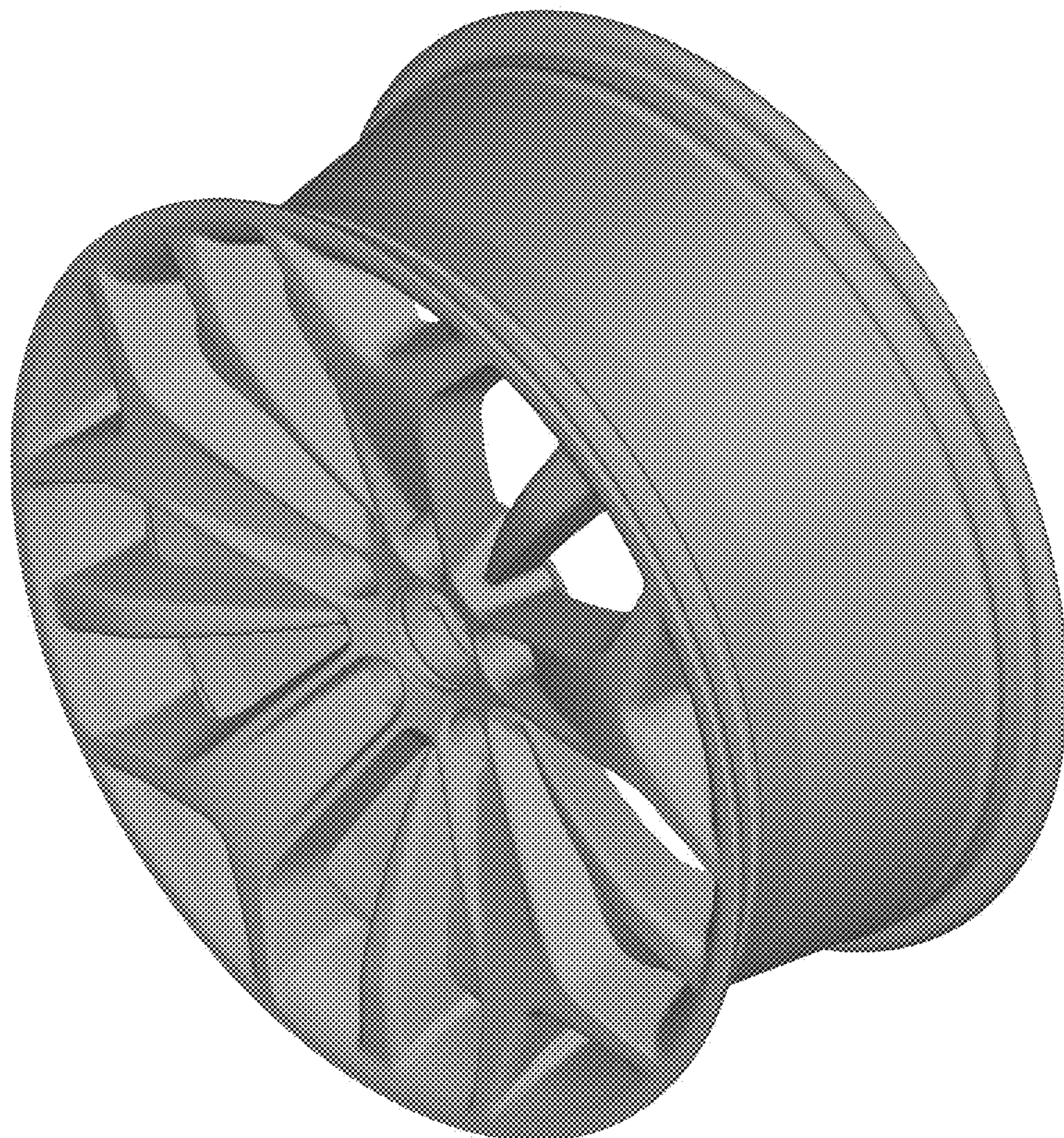


Figure 2