



US00D647443S

(12) **United States Design Patent**
Jones

(10) **Patent No.:** **US D647,443 S**

(45) **Date of Patent:** **** Oct. 25, 2011**

(54) **TRUCK REAR FENDER**

(75) Inventor: **David A. Jones**, West Middlesex, PA (US)

(73) Assignee: **Jones Performance Products, Inc.**, West Middlesex, PA (US)

(**) Term: **14 Years**

(21) Appl. No.: **29/341,993**

(22) Filed: **Aug. 17, 2009**

(51) **LOC (9) Cl.** **12-16**

(52) **U.S. Cl.** **D12/184**

(58) **Field of Classification Search** 280/152.1, 280/847-849, 851; 296/181.1, 181.5
See application file for complete search history.

(56) **References Cited**

U.S. PATENT DOCUMENTS

D505,896 S *	6/2005	Devitt	D12/184
D524,202 S *	7/2006	Devitt	D12/184
D591,654 S *	5/2009	Williams et al.	D12/184
D591,658 S *	5/2009	Golden et al.	D12/184
D593,466 S *	6/2009	Williams et al.	D12/184
D597,005 S *	7/2009	Golden et al.	D12/184
D597,006 S *	7/2009	Golden et al.	D12/184

D603,772 S * 11/2009 Golden et al. D12/184

* cited by examiner

Primary Examiner — Melody N Brown

(74) *Attorney, Agent, or Firm* — James R. Williams

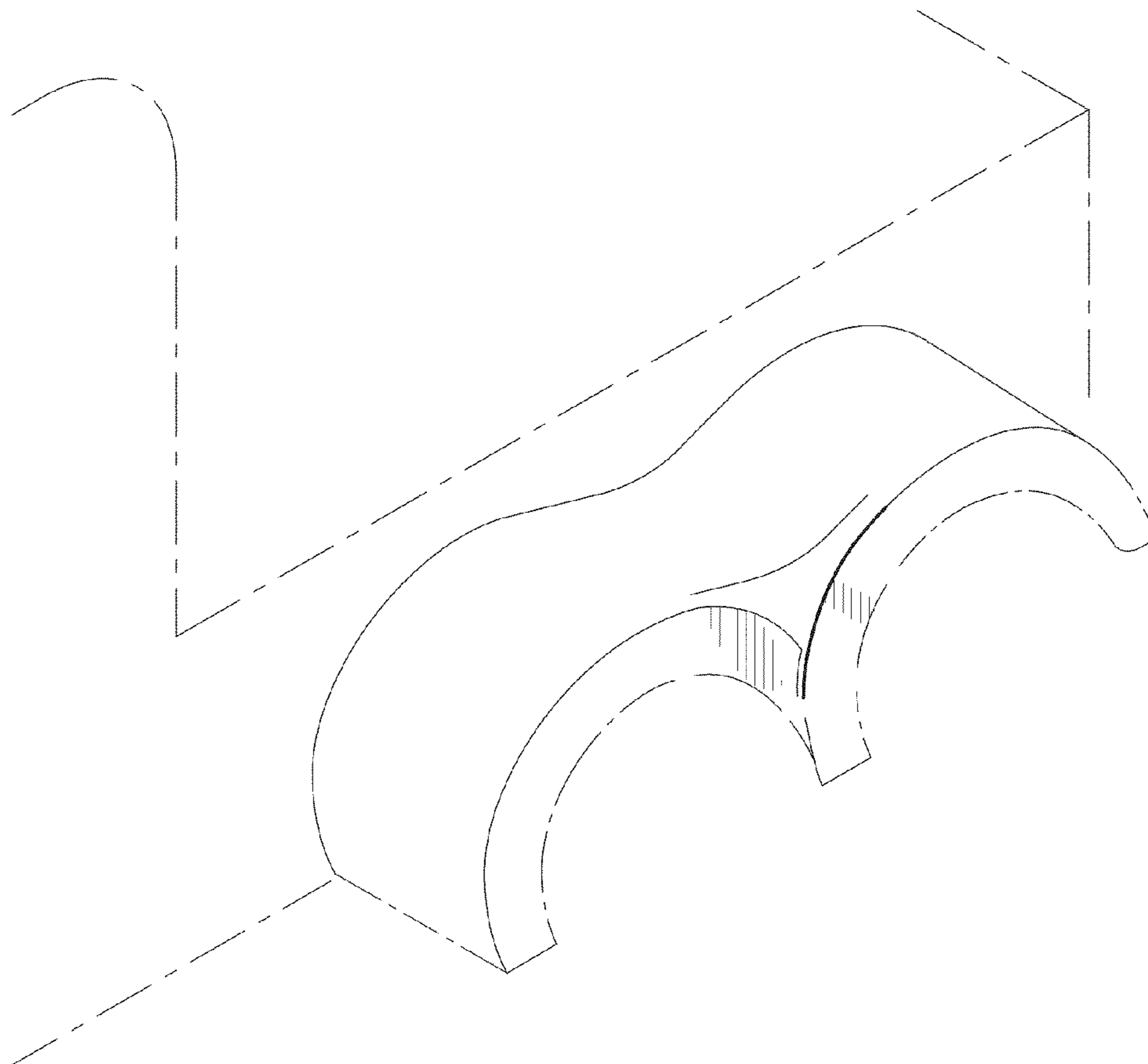
(57) **CLAIM**

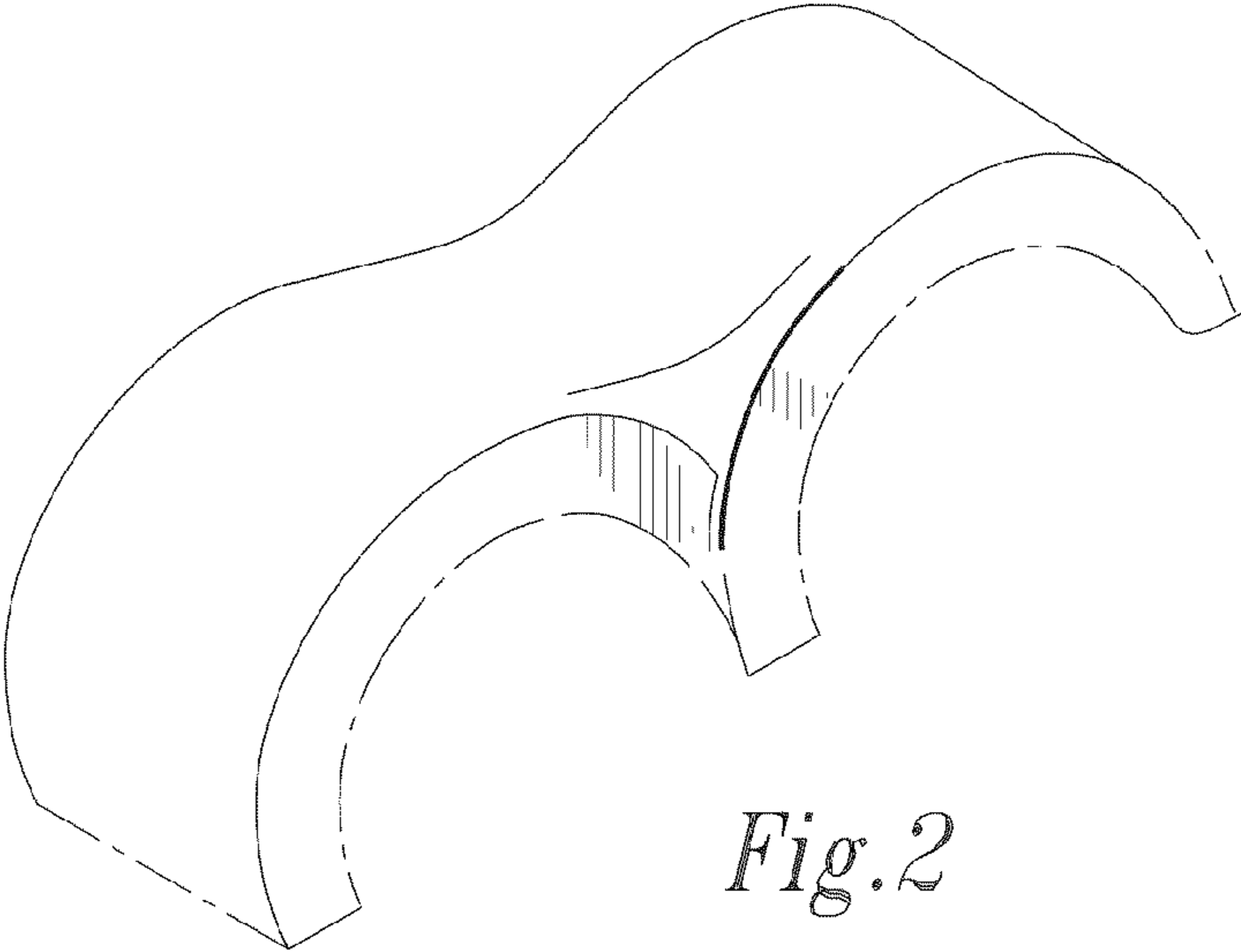
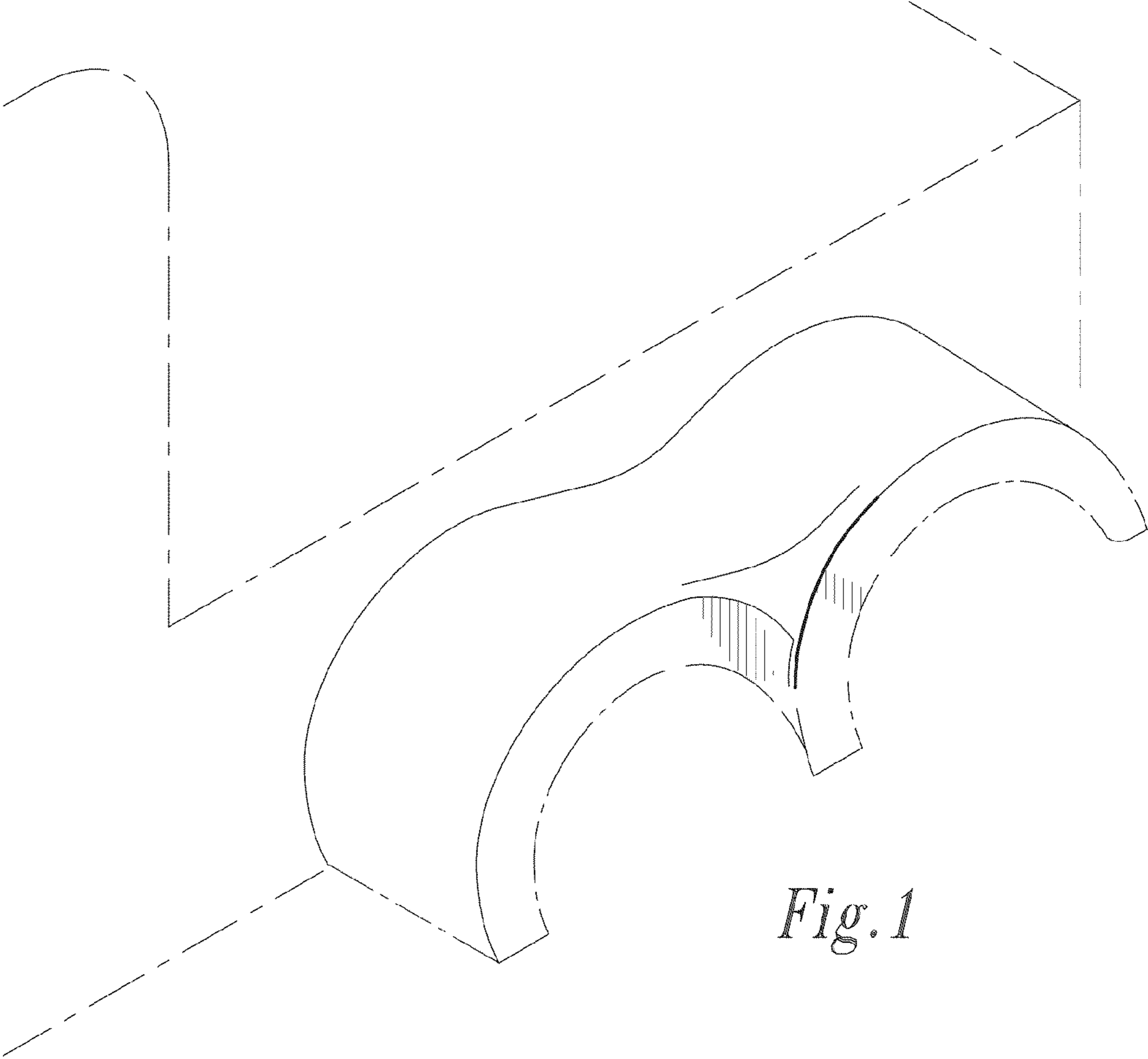
The ornamental design for a truck rear fender, as shown and described.

DESCRIPTION

FIG. 1 is a perspective view of a truck rear fender showing my new design;
FIG. 2 is another perspective view thereof;
FIG. 3 is a side elevation view thereof;
FIG. 4 is an opposite side elevation view thereof;
FIG. 5 is a top plan view thereof;
FIG. 6 is a bottom plan view thereof;
FIG. 7 is a front elevation view thereof;
FIG. 8 is a rear elevation view thereof; and,
FIG. 9 is an enlarged fragmentary perspective view of the central top and side portion shown in both FIGS. 1 and 2.
The broken lines shown throughout the drawing views are for illustrative purposes only and form no part of the claimed design.

1 Claim, 3 Drawing Sheets





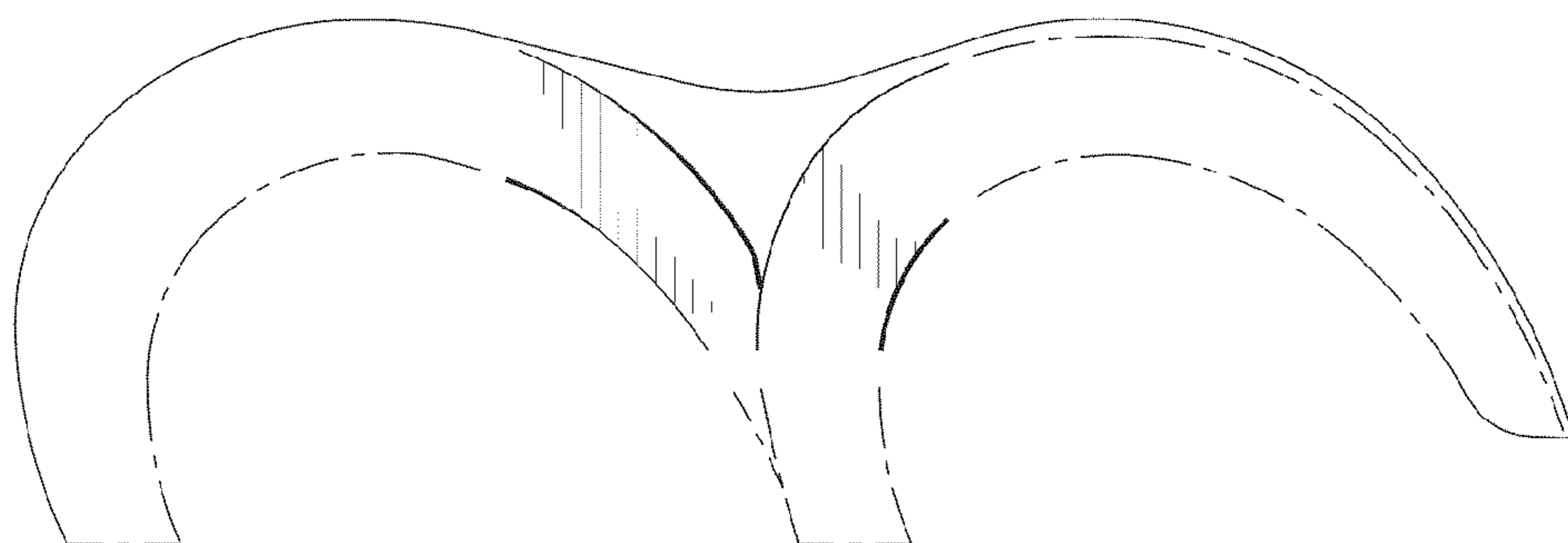


Fig. 3

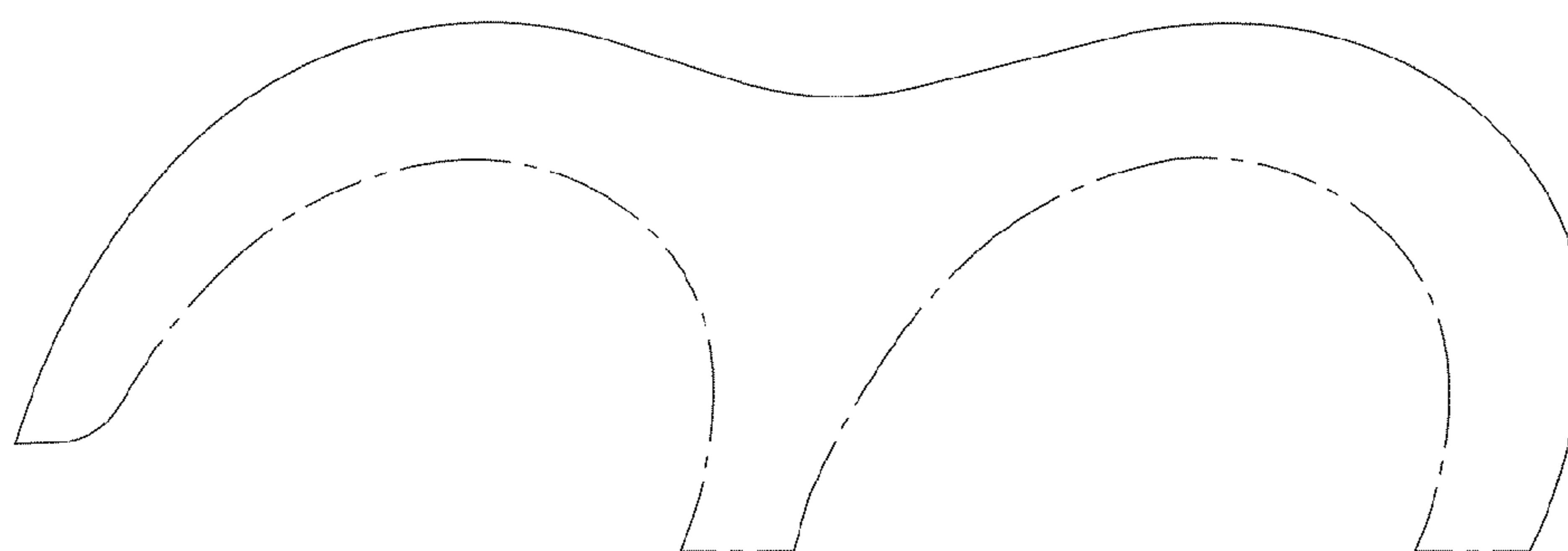


Fig. 4



Fig. 9

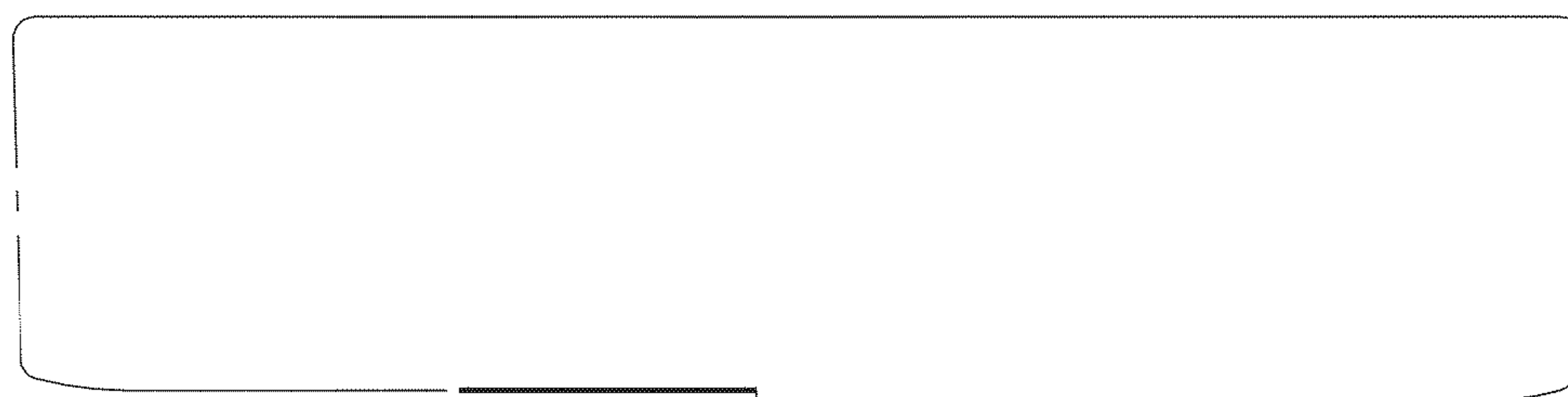


Fig. 5

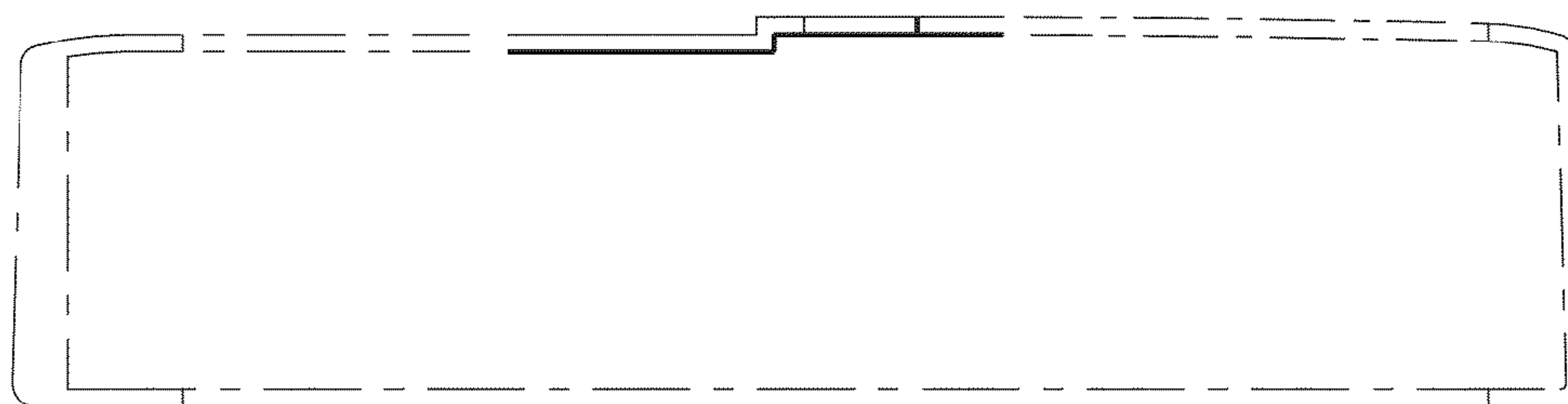


Fig. 6

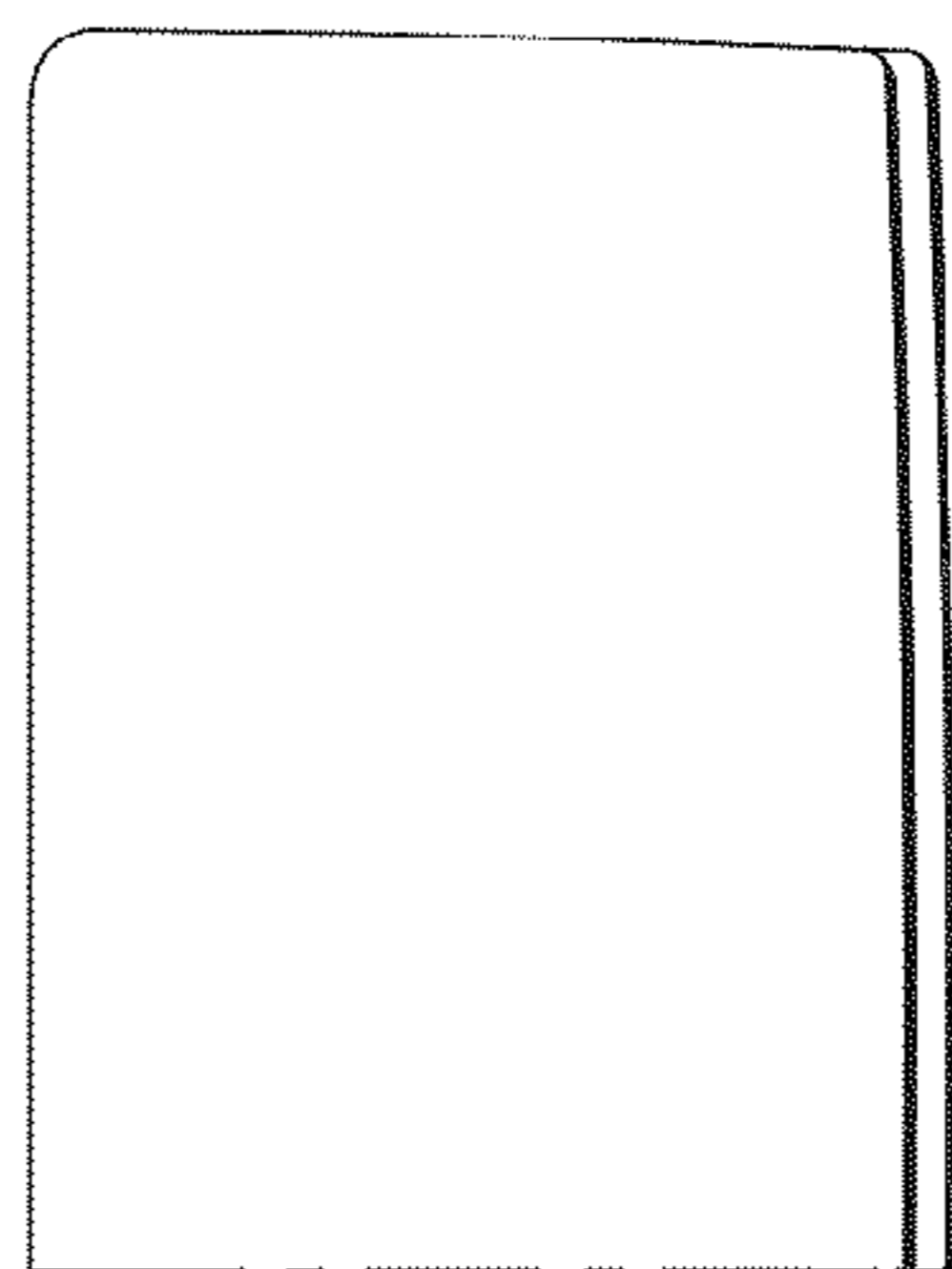


Fig. 7

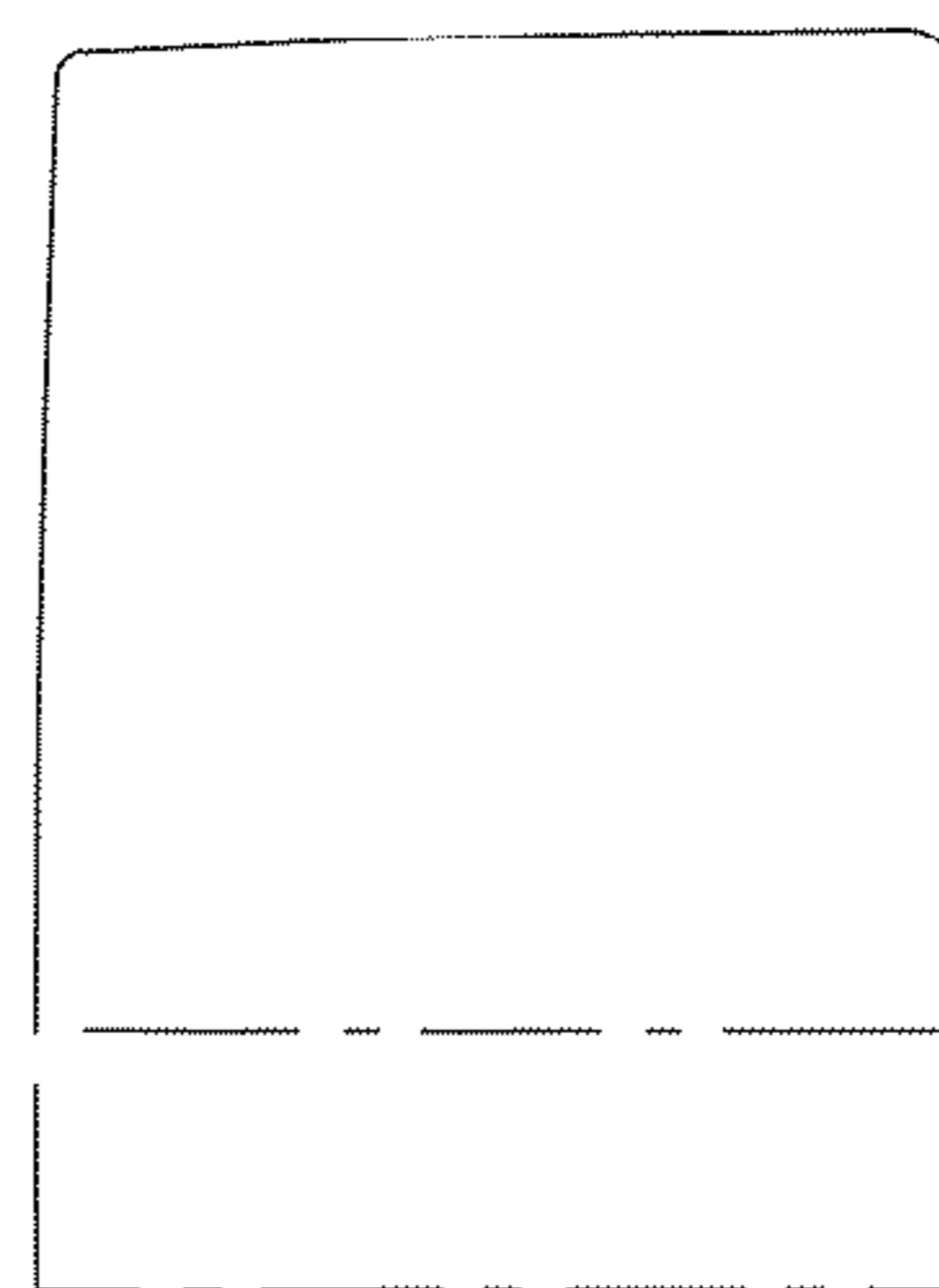


Fig. 8