



US00D647441S

(12) **United States Design Patent**  
**Anzi**

(10) **Patent No.:** **US D647,441 S**  
(45) **Date of Patent:** **\*\* Oct. 25, 2011**

(54) **STEERING WHEEL FOR A MOTOR VEHICLE**

(75) Inventor: **Johnny Anzi**, Verona (IT)

(73) Assignee: **Grant Products International, Inc.**, Duarte, CA (US)

(\*\*) Term: **14 Years**

(21) Appl. No.: **29/367,987**

(22) Filed: **Aug. 16, 2010**

(51) **LOC (9) Cl.** ..... **12-16**

(52) **U.S. Cl.** ..... **D12/176**

(58) **Field of Classification Search** ..... D12/175,  
D12/176; 74/552, 558, 558.5

See application file for complete search history.

(56) **References Cited**

**U.S. PATENT DOCUMENTS**

D552,017 S *	10/2007	Ganryu	.....	D12/176
D563,294 S *	3/2008	Shimizu	.....	D12/176
D576,930 S *	9/2008	Franco Luis	.....	D12/176
D593,010 S *	5/2009	Yamazaki	.....	D12/176
D600,612 S *	9/2009	Hwang et al.	.....	D12/176
D619,520 S *	7/2010	Ogiwara et al.	.....	D12/176

D620,853 S *	8/2010	Wiedeman et al.	.....	D12/176
D627,693 S *	11/2010	Pohanka	.....	D12/176
D635,069 S *	3/2011	Klein et al.	.....	D12/176
D635,900 S *	4/2011	Anzi	.....	D12/176
D636,711 S *	4/2011	Anzi	.....	D12/176
D637,946 S *	5/2011	Anzi	.....	D12/176

\* cited by examiner

*Primary Examiner* — Melody N Brown

(74) *Attorney, Agent, or Firm* — Venable LLP; Stefan J. Kirchanski

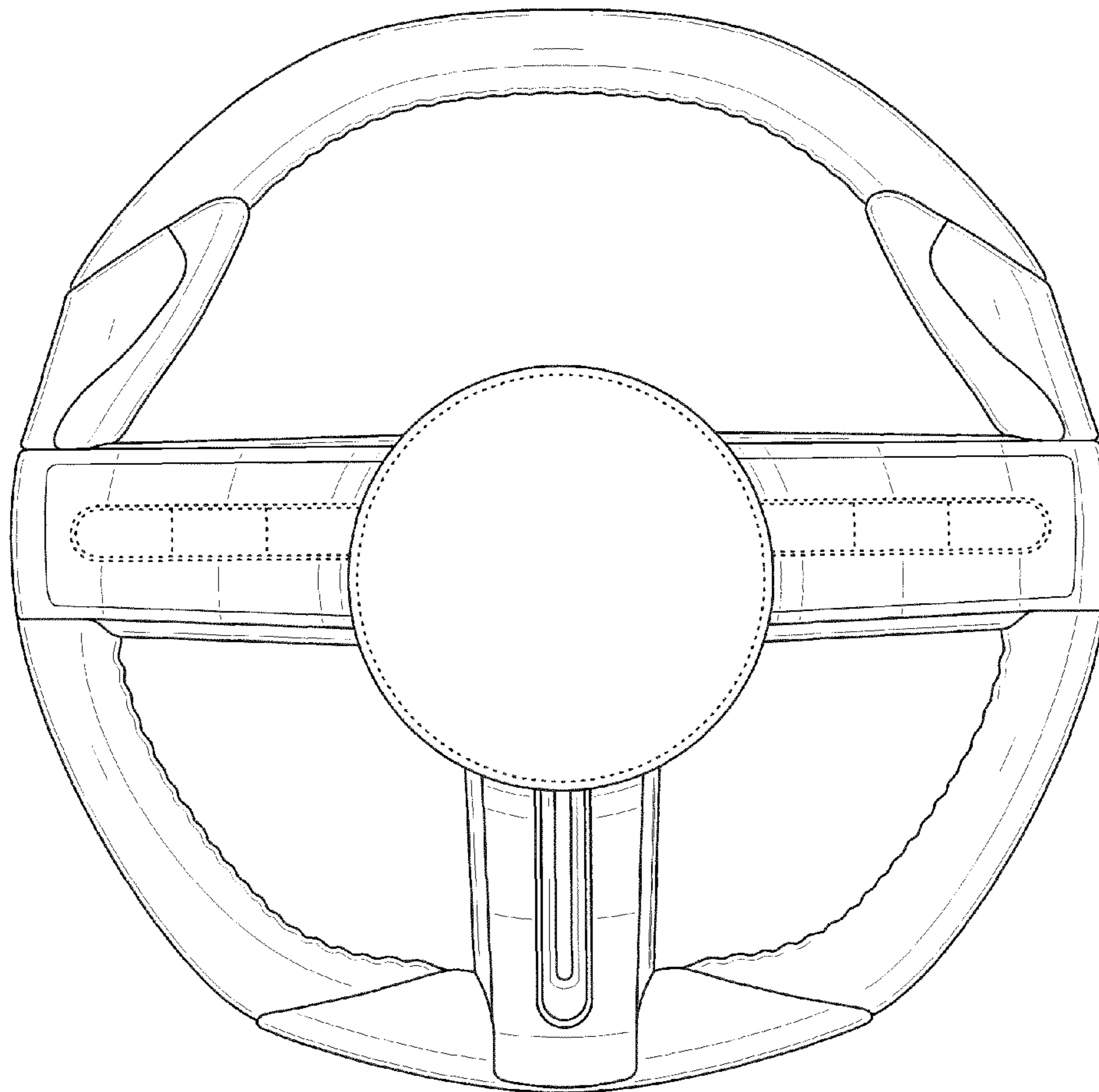
(57) **CLAIM**

The ornamental design for a steering wheel for a motor vehicle, as shown and described.

**DESCRIPTION**

FIG. 1 is a top left perspective view of a steering wheel for a motor vehicle showing my design;  
FIG. 2 is a front view thereof;  
FIG. 3 is a rear view thereof;  
FIG. 4 is a left side view thereof;  
FIG. 5 is a right side view thereof;  
FIG. 6 is a top view thereof; and,  
FIG. 7 is a bottom view thereof.

**1 Claim, 6 Drawing Sheets**



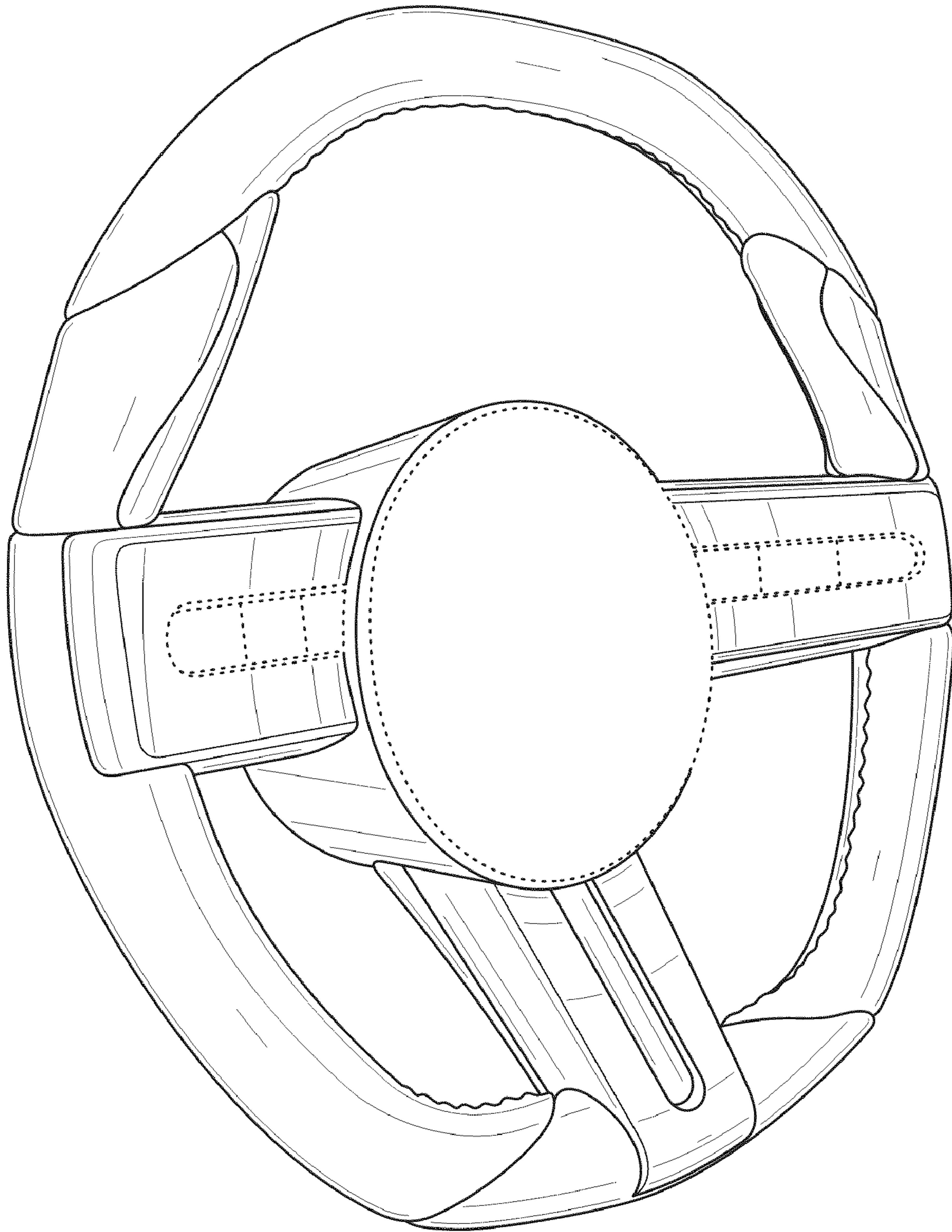


FIG. 1

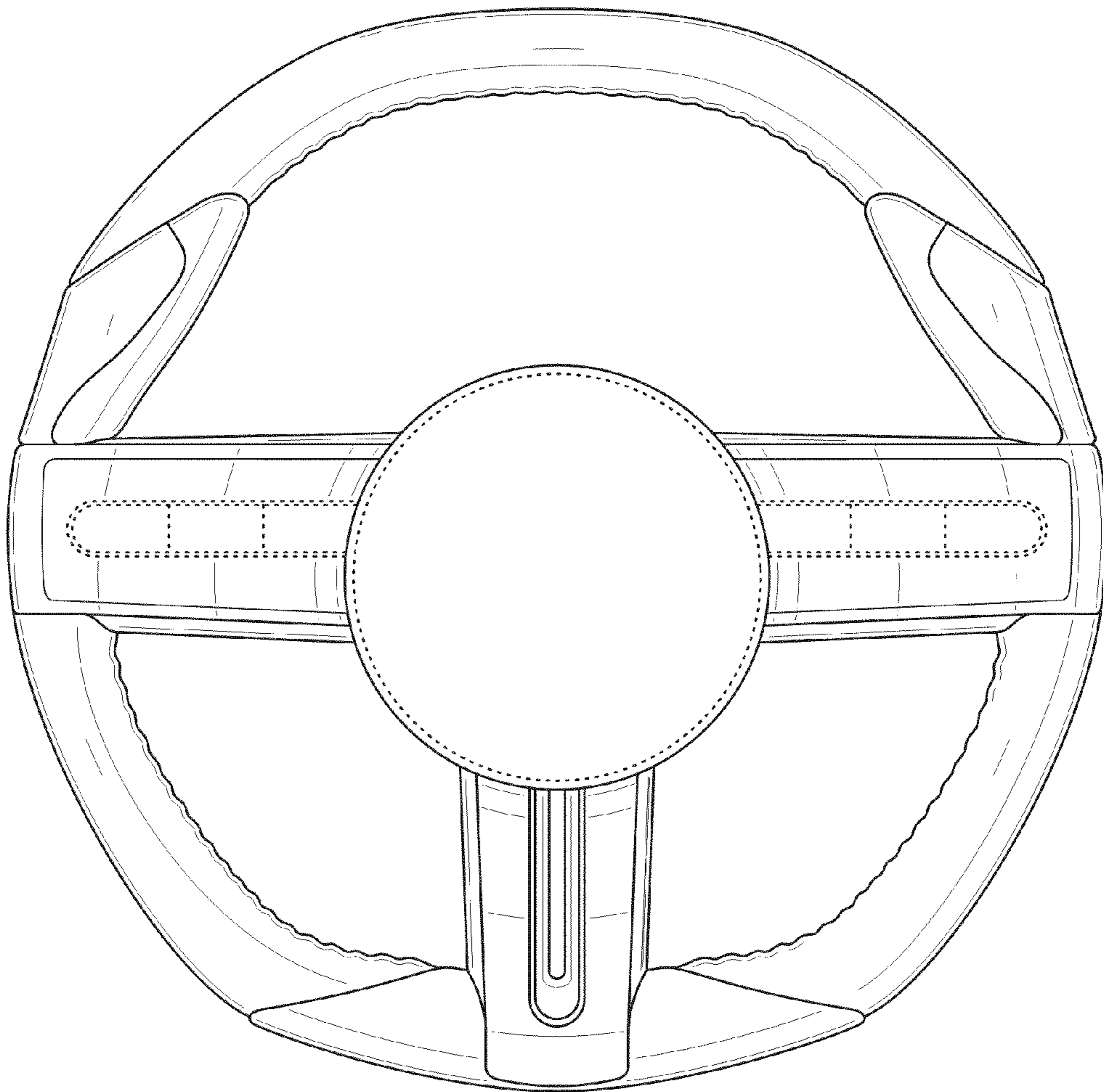


FIG. 2

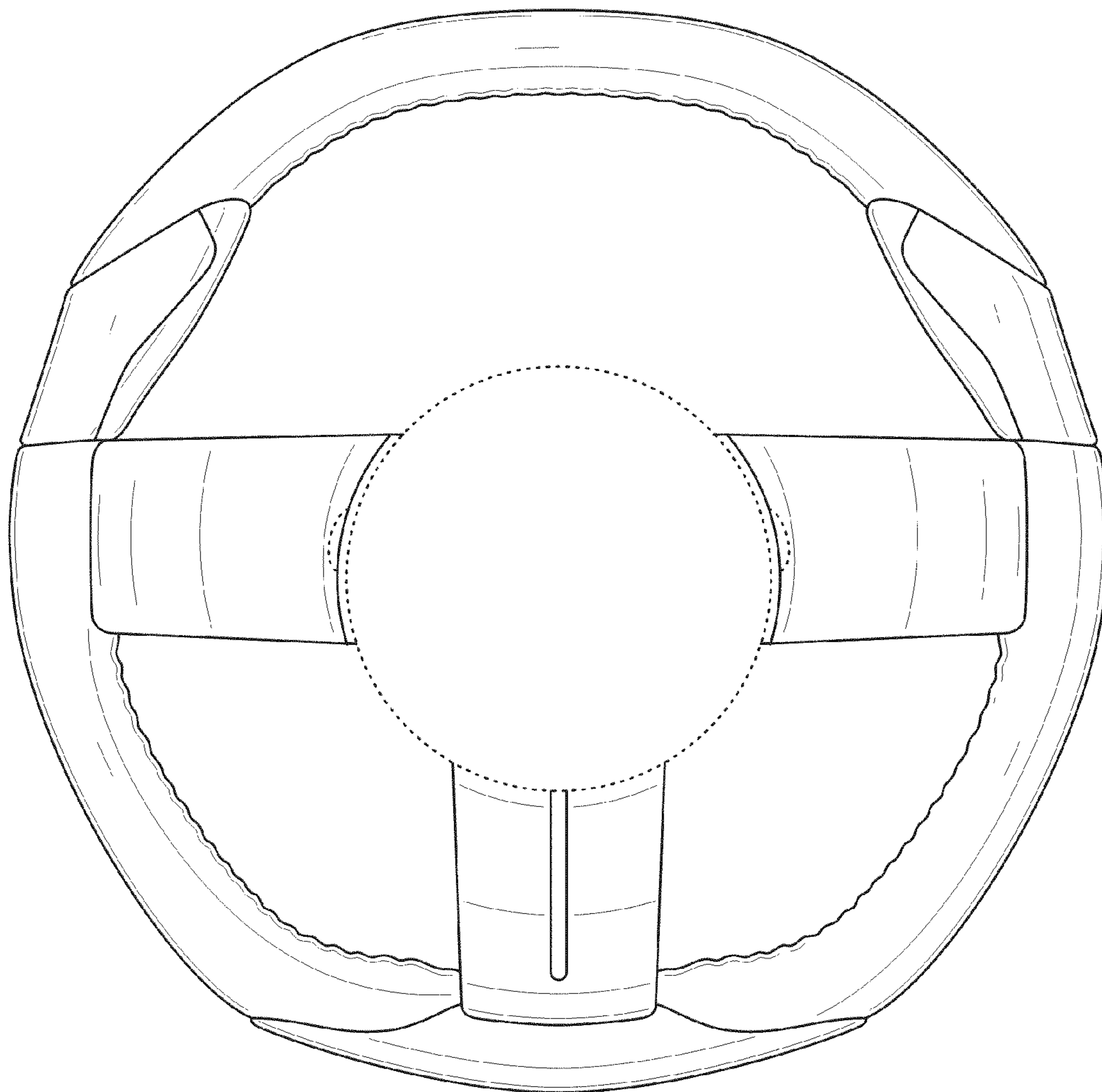


FIG. 3

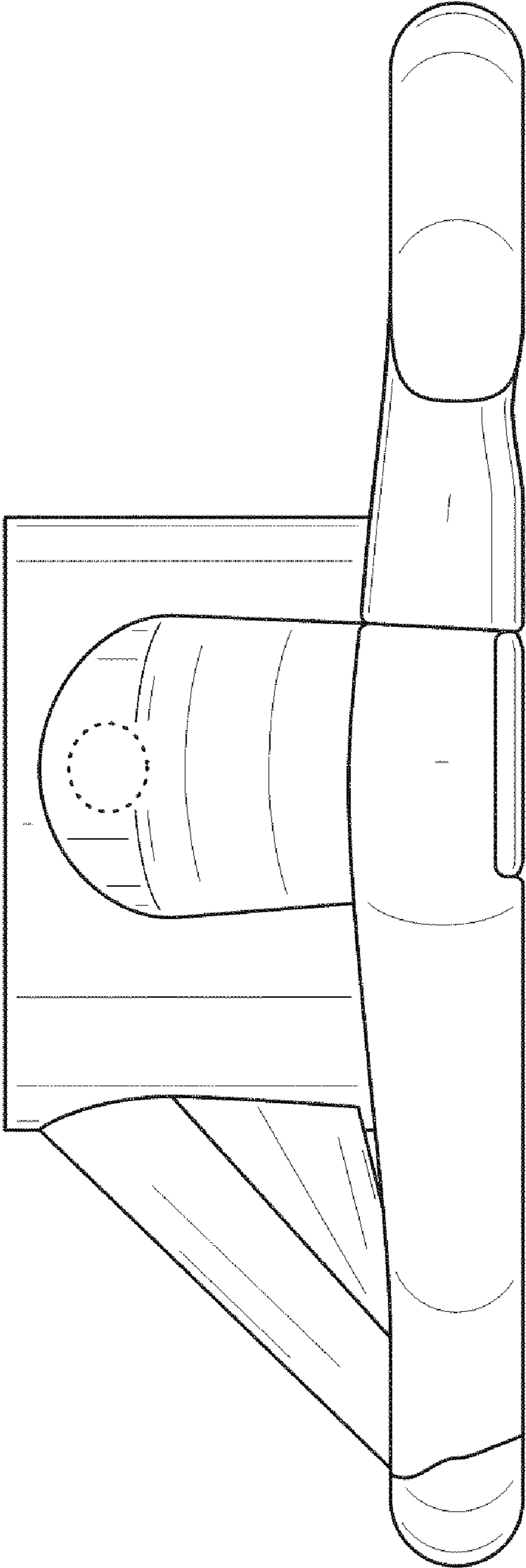


FIG. 4

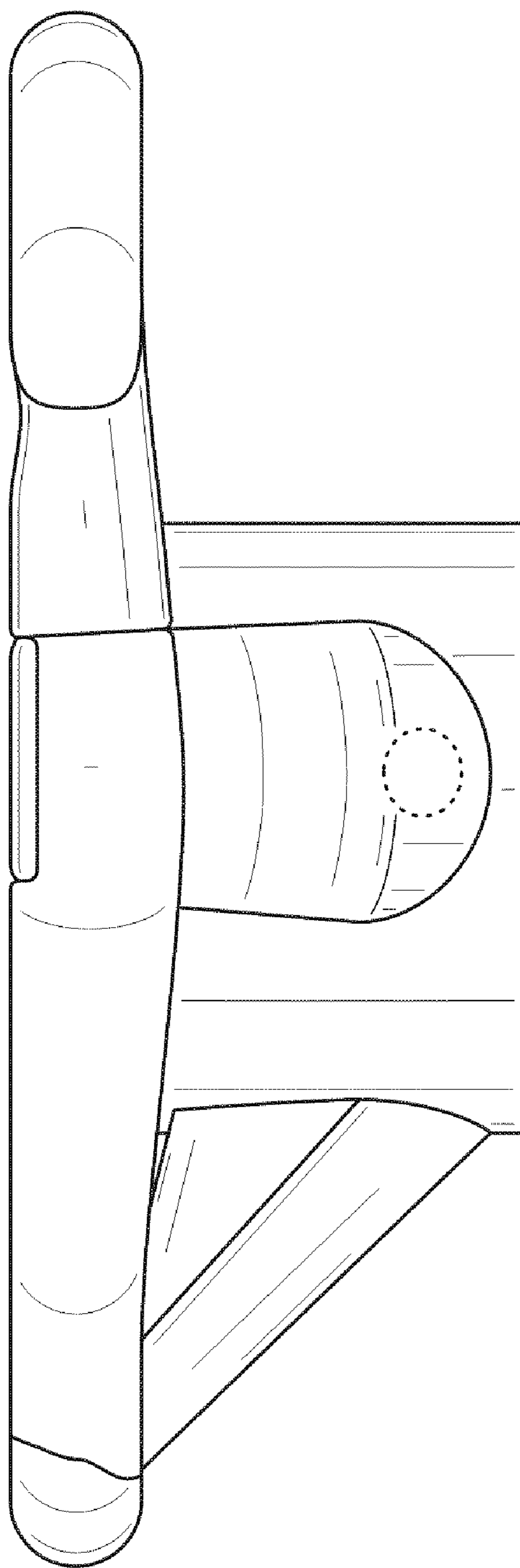


FIG. 5

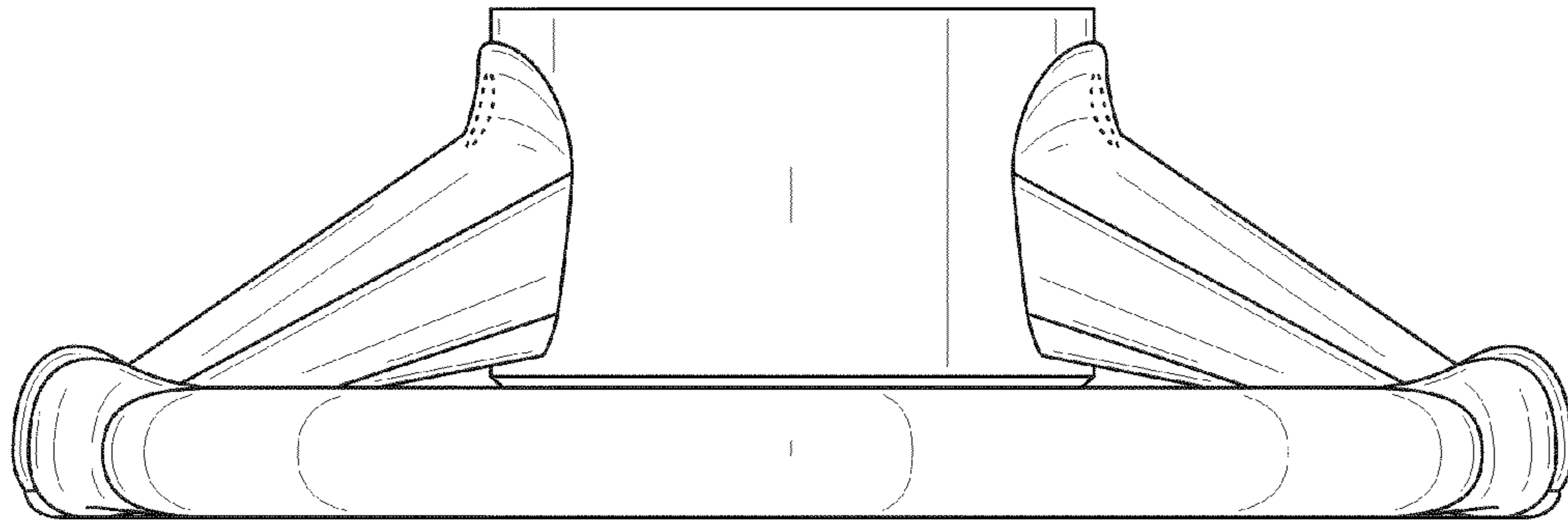


FIG. 6

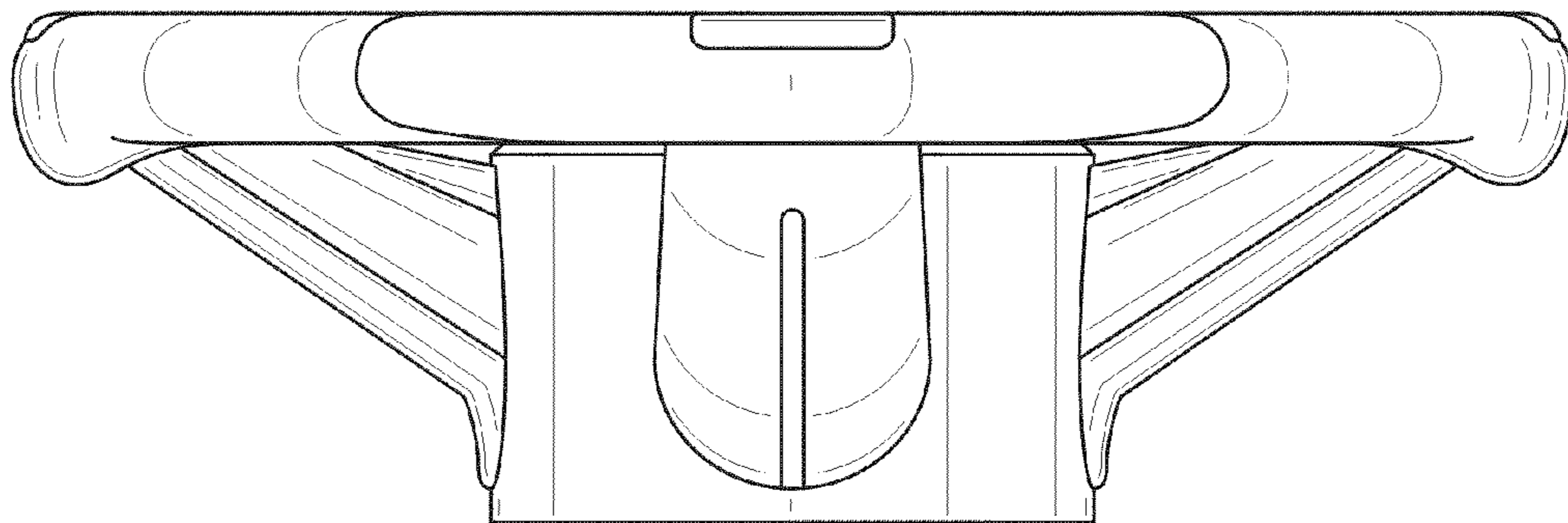


FIG. 7