



US00D647436S

(12) **United States Design Patent**  
**Sullivan**

(10) **Patent No.:** **US D647,436 S**

(45) **Date of Patent:** **\*\* Oct. 25, 2011**

(54) **RADIATOR**

(76) Inventor: **Michael Sullivan**, Wilmington, DE (US)

(\*\*) Term: **14 Years**

(21) Appl. No.: **29/387,778**

(22) Filed: **Mar. 17, 2011**

(51) **LOC (9) Cl.** ..... **12-16**

(52) **U.S. Cl.** ..... **D12/166**

(58) **Field of Classification Search** ..... D12/163-166;  
180/68.4; 165/67, 140, 148, 149; 228/183

See application file for complete search history.

(56) **References Cited**

**U.S. PATENT DOCUMENTS**

D130,054 S *	10/1941	Young	.....	D12/166
D206,386 S *	12/1966	Alexander	.....	D34/31
D263,461 S *	3/1982	Young	.....	D12/166
6,899,167 B2 *	5/2005	Martins et al.	.....	165/140
D545,247 S *	6/2007	McWain	.....	D12/166
7,320,360 B2 *	1/2008	Leitch et al.	.....	165/149

7,395,853 B2 *	7/2008	Kroetsch et al.	.....	165/149
7,637,309 B2 *	12/2009	Contet	.....	165/67
7,637,313 B2 *	12/2009	Taniguchi et al.	.....	165/148

\* cited by examiner

*Primary Examiner* — Melody N Brown

(74) *Attorney, Agent, or Firm* — QuickPatents, Inc.; Kevin Prince

(57) **CLAIM**

I claim the ornamental design for a radiator, as shown and described.

**DESCRIPTION**

FIG. 1 is a perspective view of a radiator, showing my new design;

FIG. 2 is a front elevational view thereof;

FIG. 3 is a rear elevational view thereof;

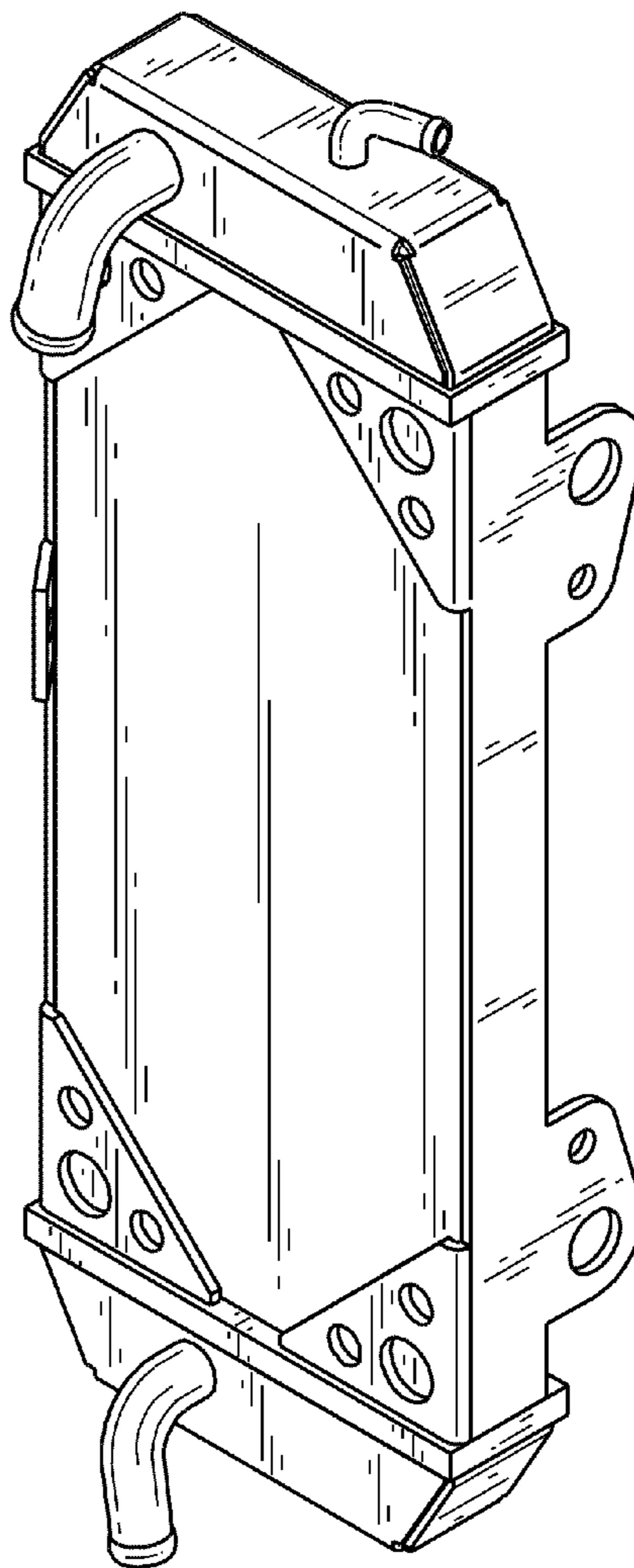
FIG. 4 is a left-side elevational view thereof;

FIG. 5 is a right-side elevational view thereof;

FIG. 6 is a top plan view thereof; and,

FIG. 7 is a bottom plan view thereof.

**1 Claim, 3 Drawing Sheets**



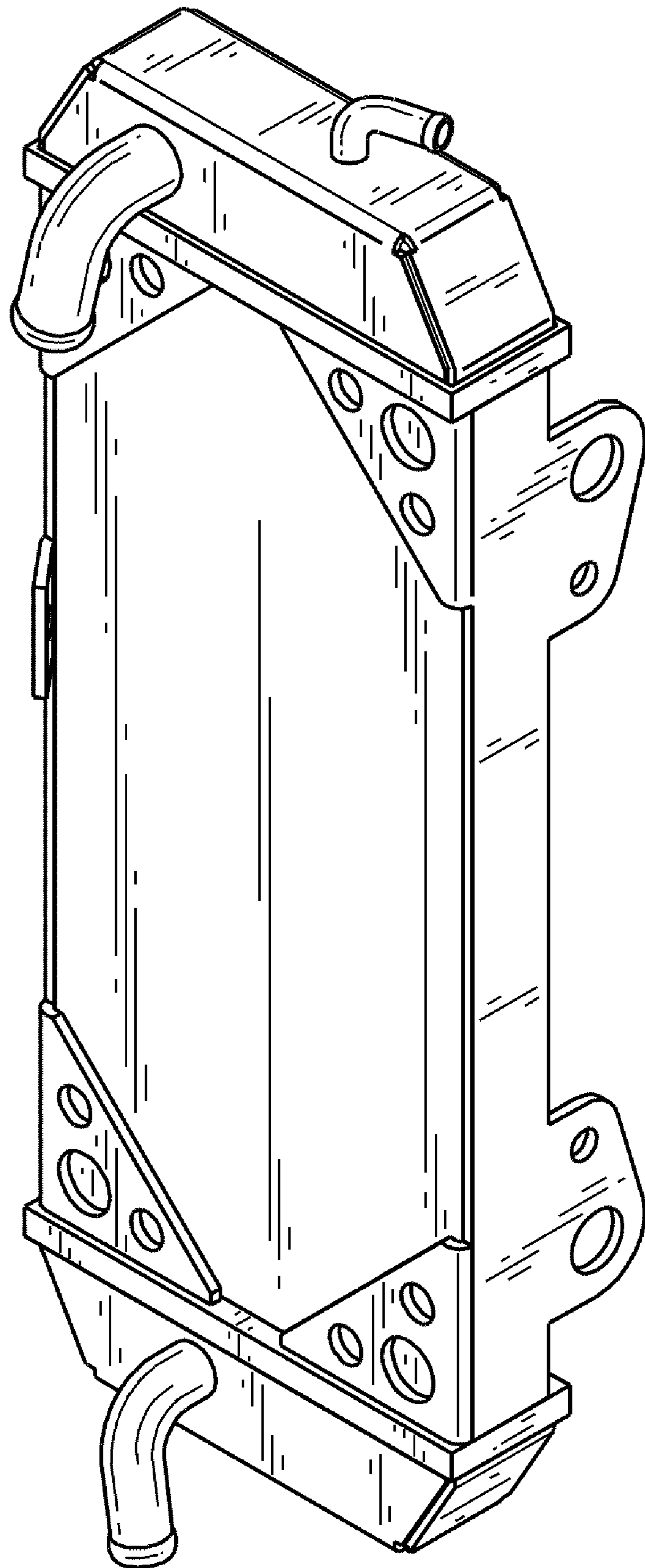


FIG. 1

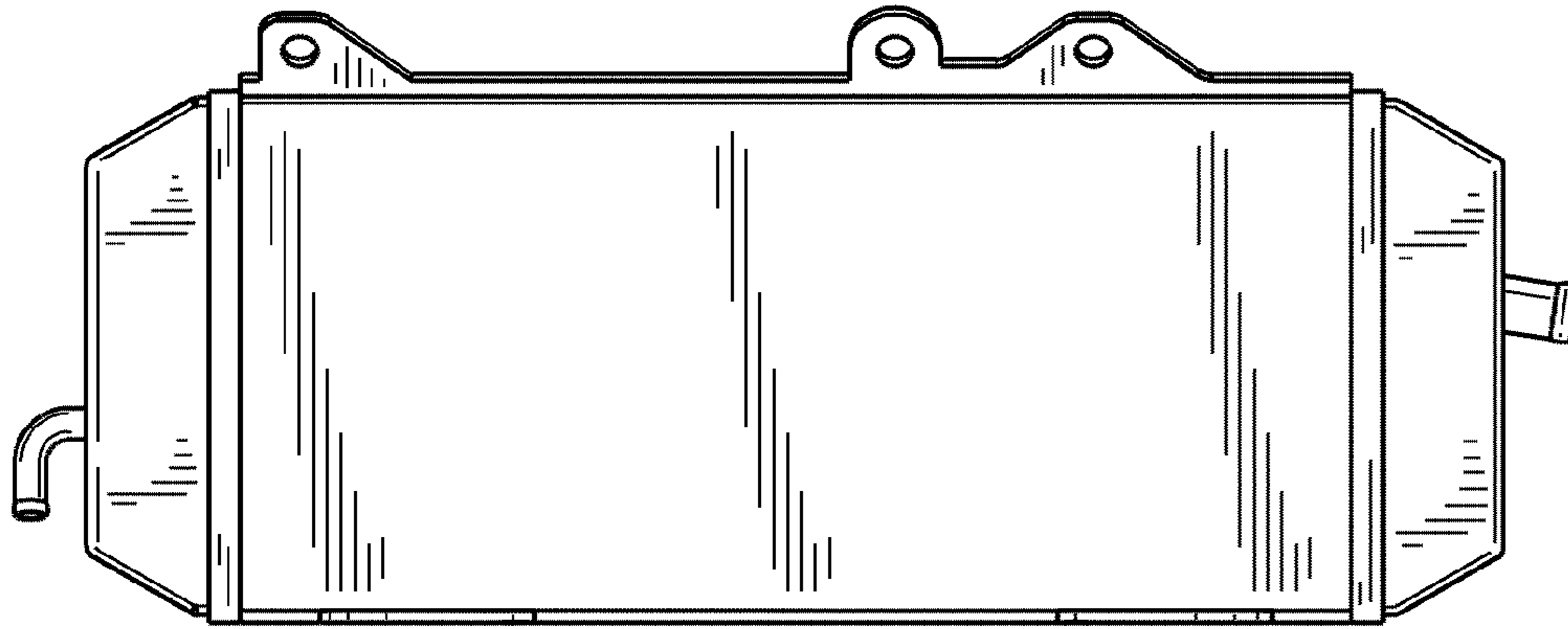


FIG. 3

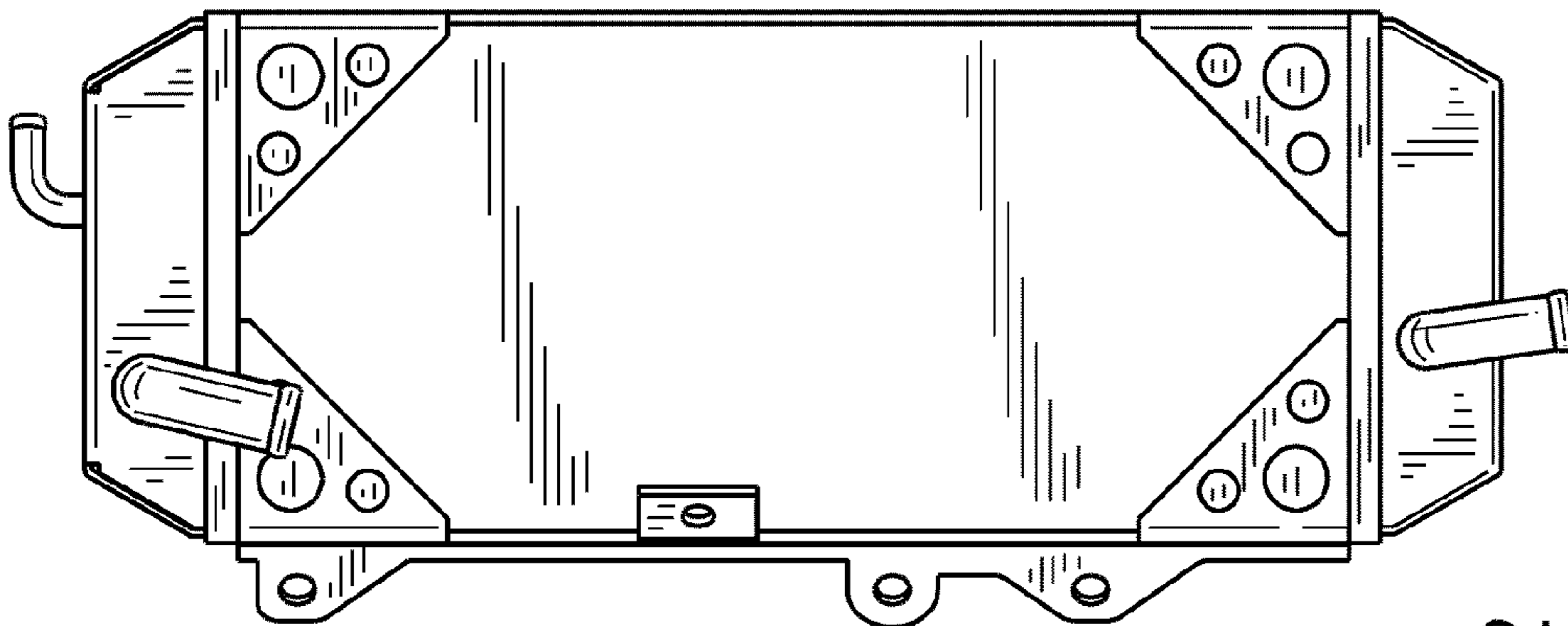


FIG. 2

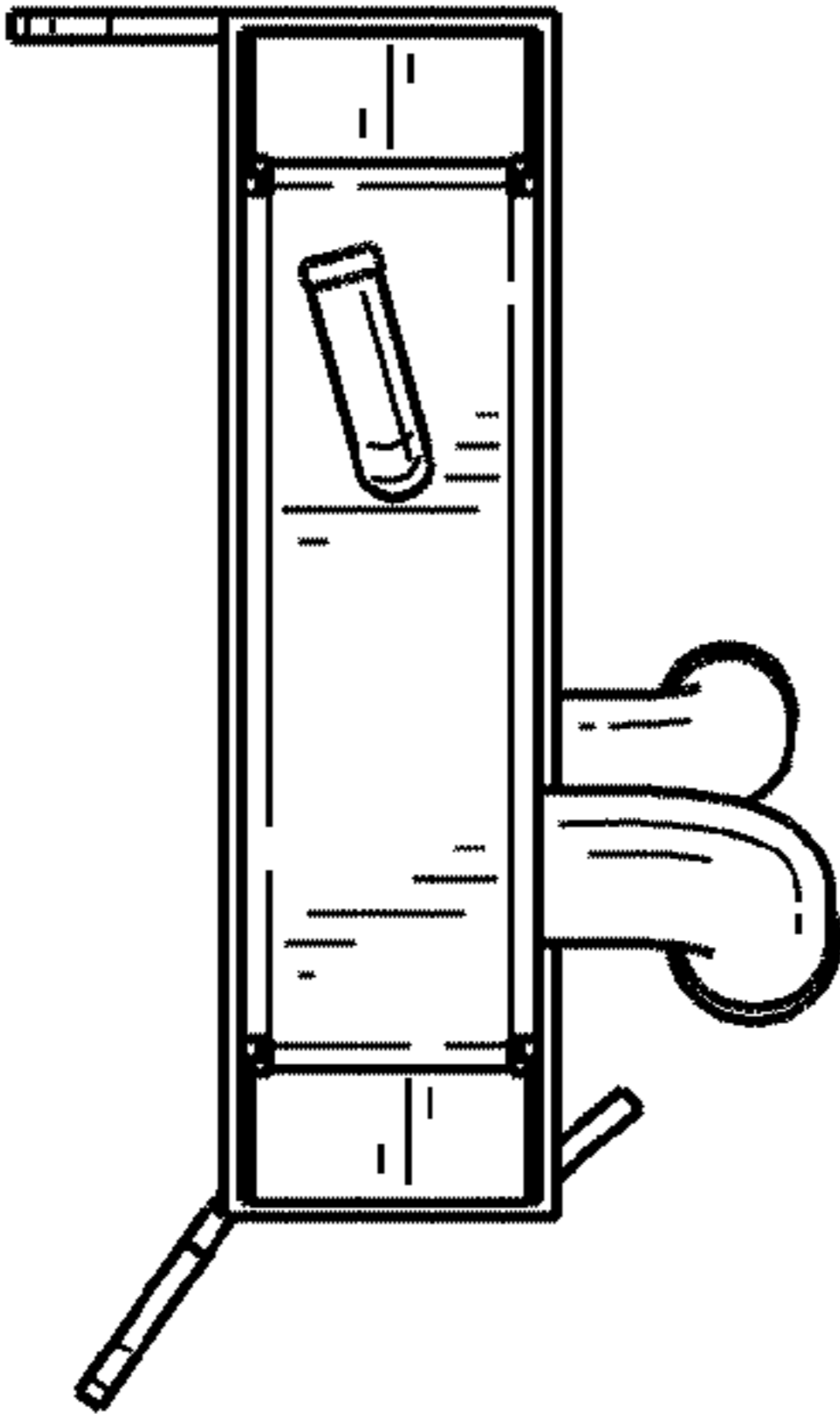


FIG. 6

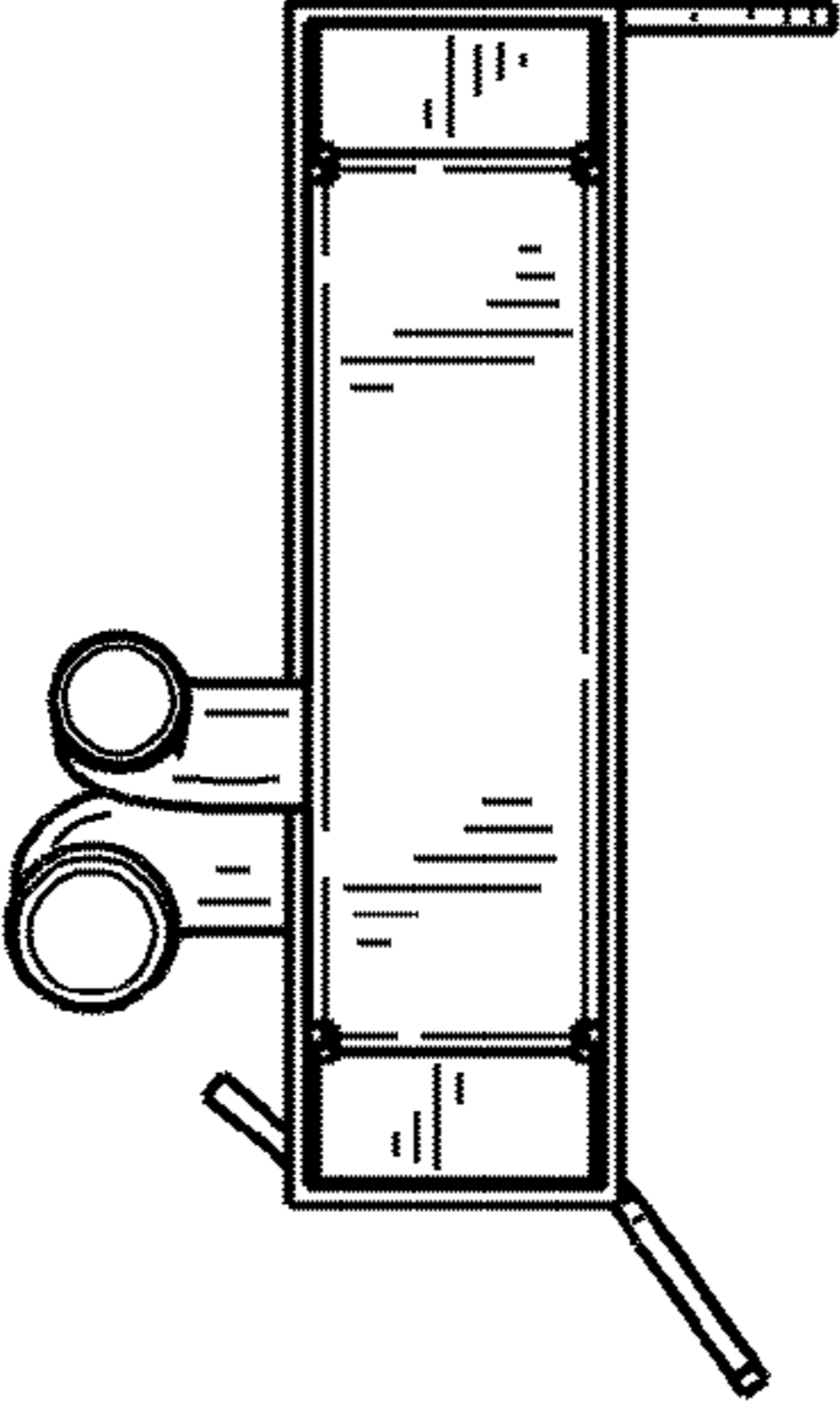


FIG. 7

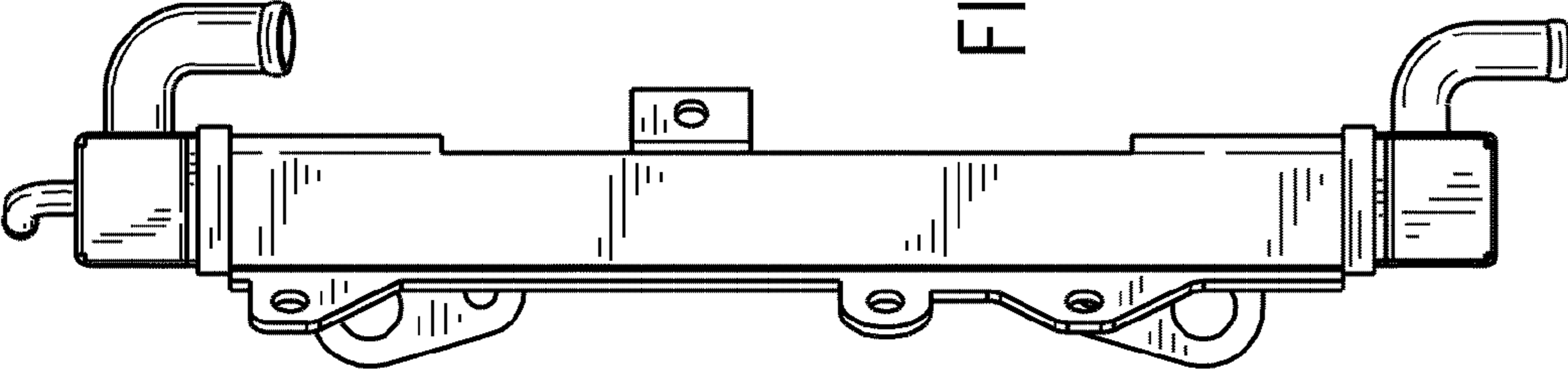


FIG. 5

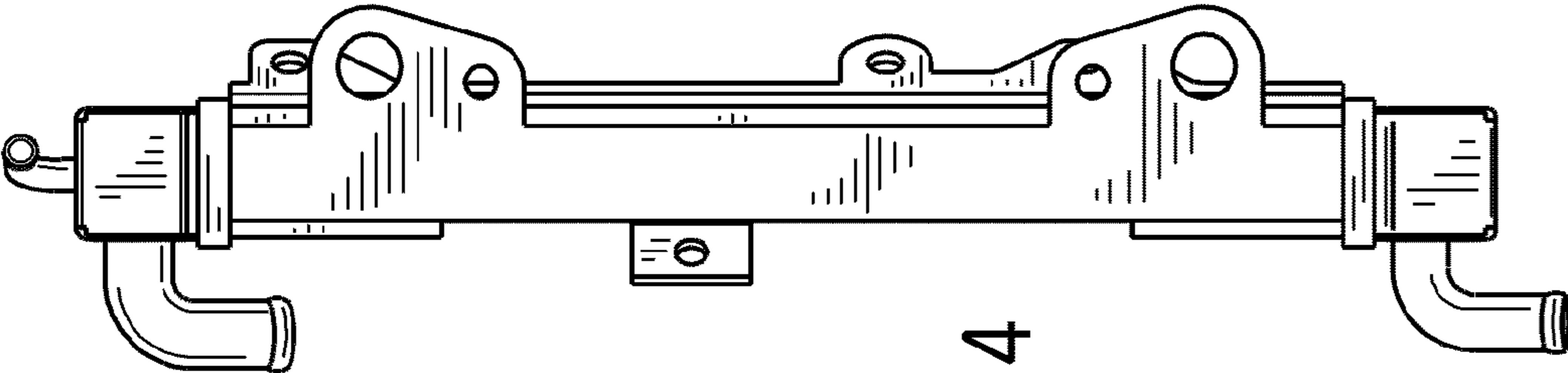


FIG. 4