

US00D647428S

(12) **United States Design Patent**
Ohhashi et al.

(10) **Patent No.:** **US D647,428 S**

(45) **Date of Patent:** **** Oct. 25, 2011**

(54) **AUTOMOBILE, TOY REPLICA AND/OR
OTHER REPLICAS**

(75) Inventors: **Akihiko Ohhashi**, Wako (JP); **Keisuke Nakamura**, Wako (JP); **Takeshi Aoki**, Wako (JP)

(73) Assignee: **Honda Motor Co., Ltd.**, Tokyo (JP)

(**) Term: **14 Years**

(21) Appl. No.: **29/387,490**

(22) Filed: **Mar. 14, 2011**

(30) **Foreign Application Priority Data**

Oct. 15, 2010 (JP) 2010-024666

(51) **LOC (9) Cl.** **12-08**

(52) **U.S. Cl.** **D12/90**

(58) **Field of Classification Search** D12/86,
D12/90-92, 99; D21/424, 433, 434; 296/181.1,
296/181.5

See application file for complete search history.

(56) **References Cited**

U.S. PATENT DOCUMENTS

D584,657 S * 1/2009 Zheng D12/90
D597,443 S * 8/2009 Vermeersch et al. D12/91

D607,778 S * 1/2010 Ramaciotti D12/90
D608,248 S * 1/2010 Hirai D12/90
D610,039 S * 2/2010 Koide et al. D12/90
D619,047 S * 7/2010 Foster D12/91
D633,008 S * 2/2011 Nakamura et al. D12/90

* cited by examiner

Primary Examiner — Melody N Brown

(74) *Attorney, Agent, or Firm* — Birch, Stewart, Kolasch & Birch, LLP

(57) **CLAIM**

The ornamental design for an automobile, toy replica and/or other replicas, as shown and described.

DESCRIPTION

FIG. 1 is a perspective view from the front left side of an automobile, toy replica and/or other replicas.

FIG. 2 is a perspective view from the front right side thereof.

FIG. 3 is a front elevation view thereof, the rear view is a mirror image thereof;

FIG. 4 is a top plan view thereof.

FIG. 5 is a left side elevation view thereof; and,

FIG. 6 is a right side elevation view thereof.

The portion of the article shown in broken lines is for the purpose of showing environmental structure only and forms no part of the claimed design.

1 Claim, 6 Drawing Sheets

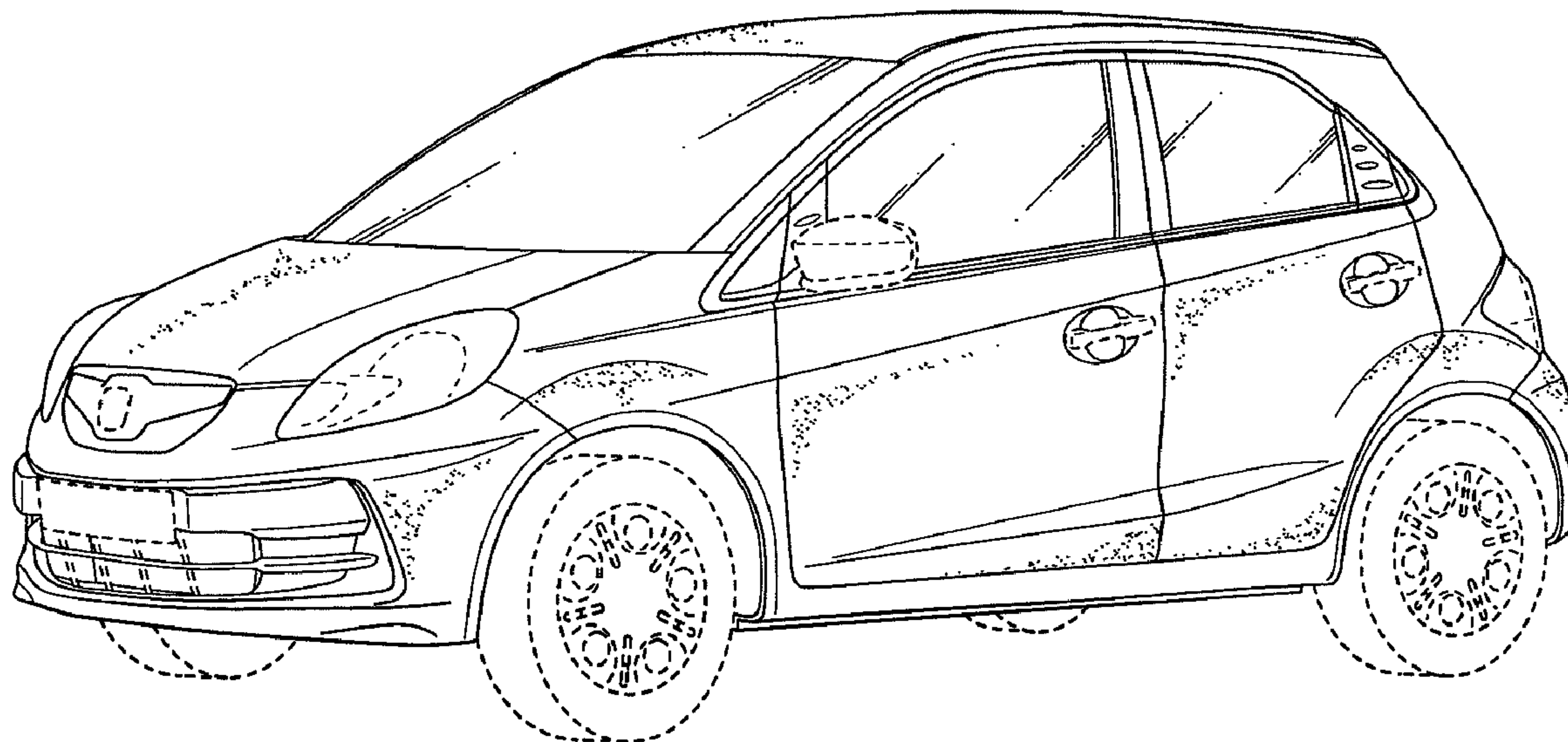


FIG. 1

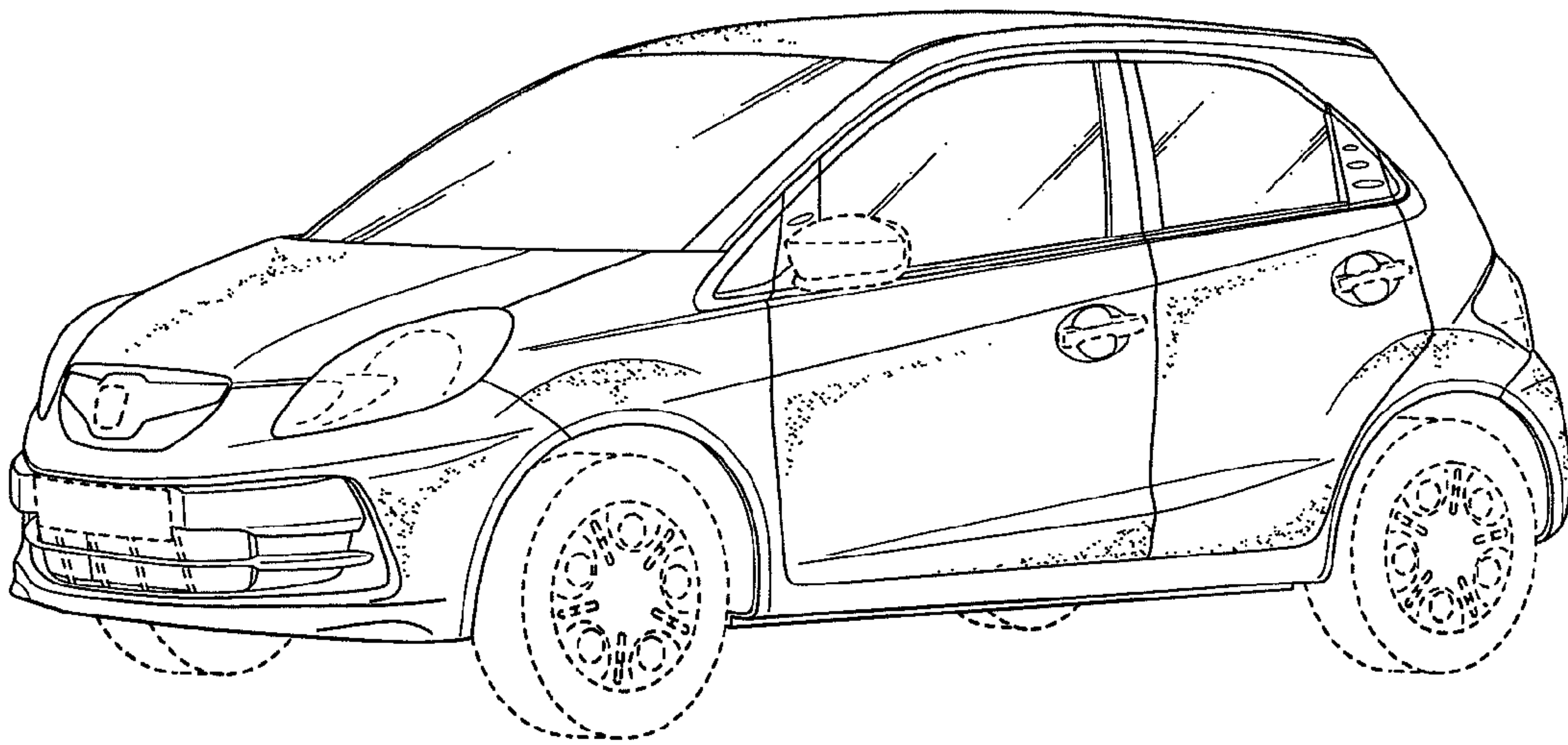


FIG. 2

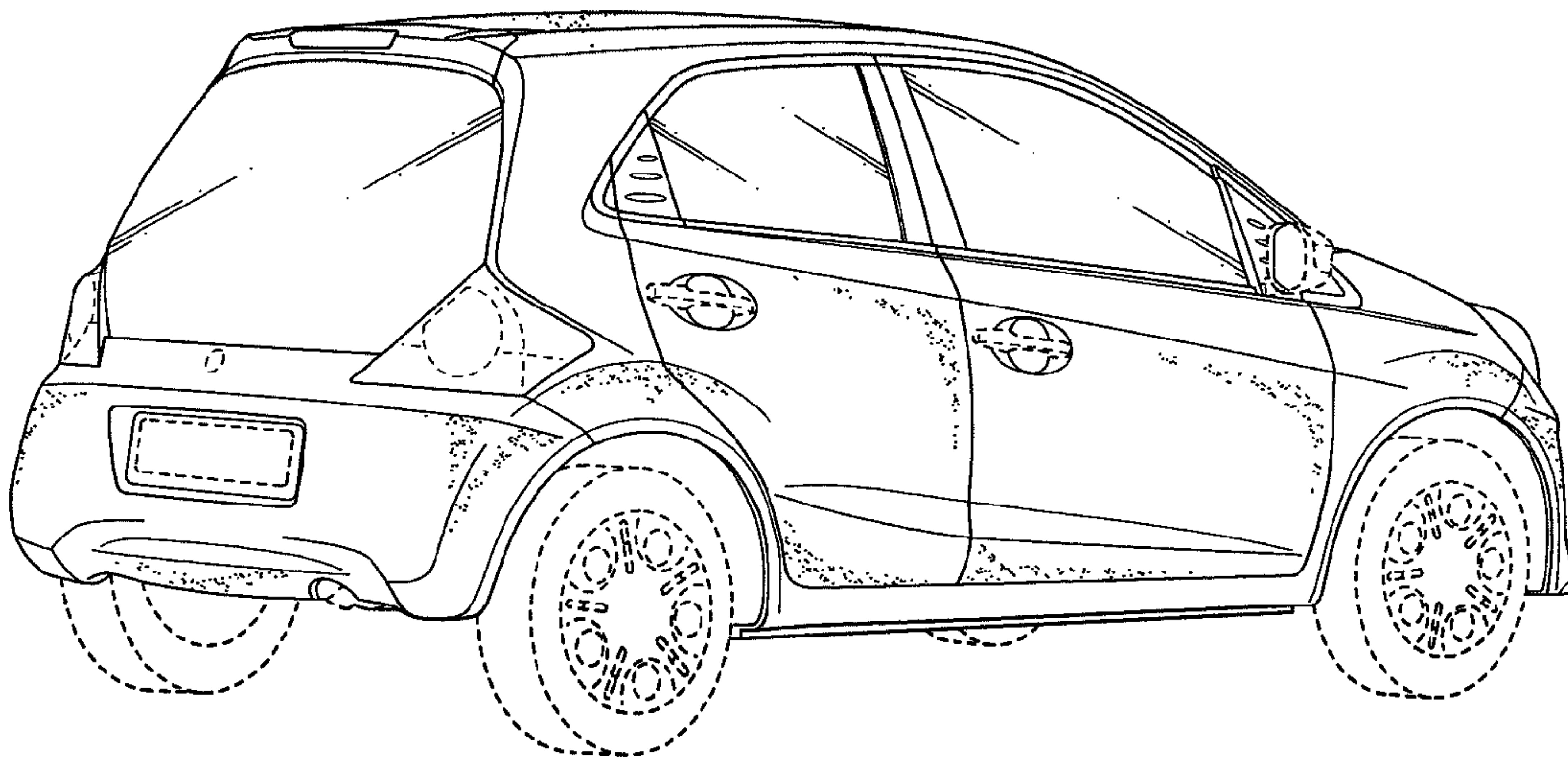


FIG. 3

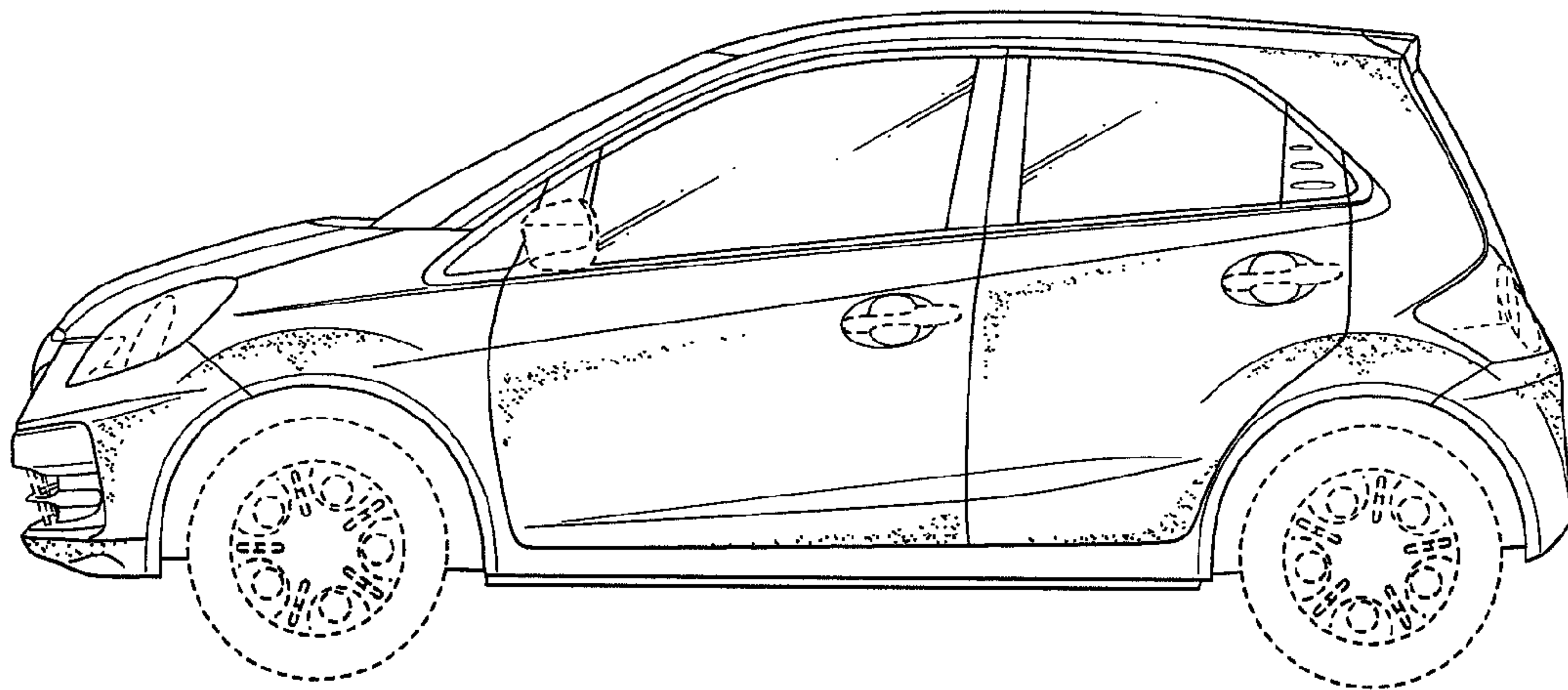


FIG. 4

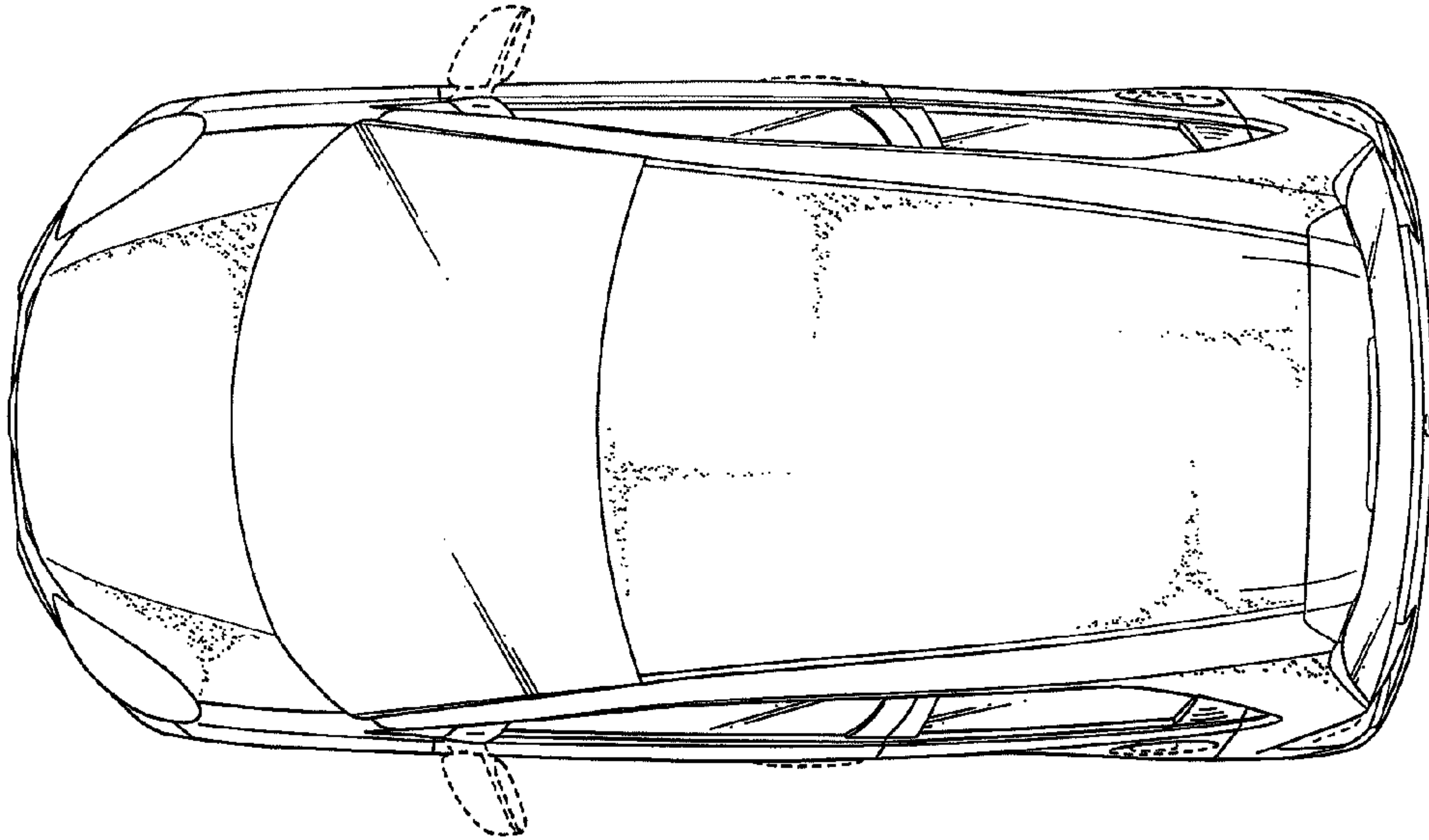


FIG. 5

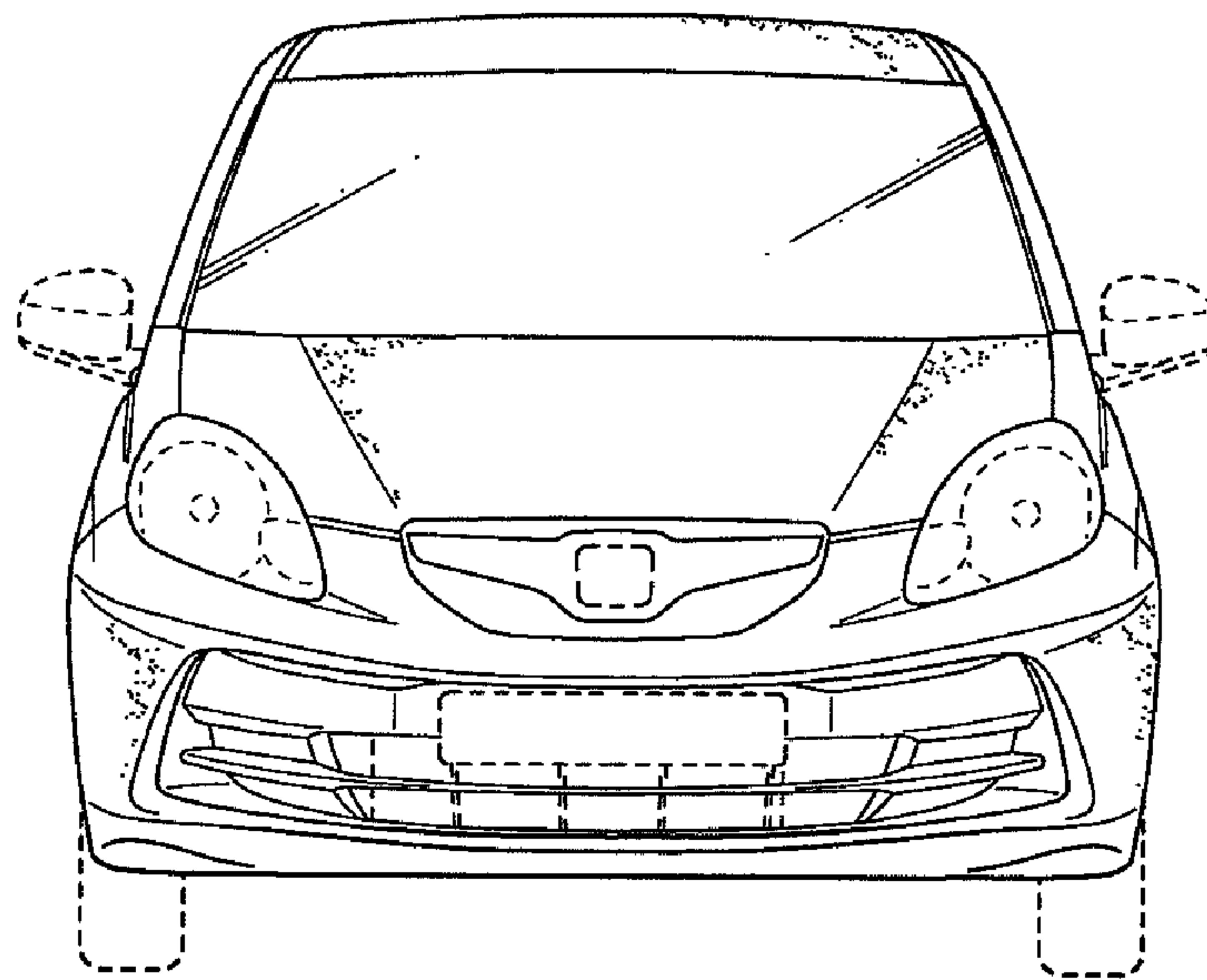


FIG. 6

