



US00D647424S

(12) **United States Design Patent**
Kolasa et al.

(10) **Patent No.:** **US D647,424 S**

(45) **Date of Patent:** **** Oct. 25, 2011**

(54) **STRAP ADJUSTER**

D389,779 S * 1/1998 Poynter D11/218
D403,161 S * 12/1998 Lin D3/318
D637,942 S * 5/2011 Lee et al. D11/218

(75) Inventors: **Scott D. Kolasa**, Mount Prospect, IL
(US); **Sean P. Forrest**, Park Ridge, IL
(US)

OTHER PUBLICATIONS

Photo of samples of Nexus parts and Competitive part.

(73) Assignee: **Illinois Tool Works Inc.**, Glenview, IL
(US)

* cited by examiner

(**) Term: **14 Years**

Primary Examiner — Ralf Seifert

(21) Appl. No.: **29/385,948**

(74) *Attorney, Agent, or Firm* — Mark W. Croll; Paul F. Donovan

(22) Filed: **Feb. 23, 2011**

(51) **LOC (9) Cl.** **02-07**

(57) **CLAIM**

(52) **U.S. Cl.** **D11/218**

The ornamental design for a strap adjuster, as shown and described.

(58) **Field of Classification Search** D11/1-2,
D11/200-201, 206-210, 214-218; 24/163 R,
24/169-171, 173, 177-179, 191, 194-195,
24/197, 200, 614-616, 625; 240/169-171;
D3/318; 280/808

DESCRIPTION

See application file for complete search history.

FIG. 1 is a perspective view of the strap adjuster showing the new design;

(56) **References Cited**

U.S. PATENT DOCUMENTS

4,023,826 A * 5/1977 Kokubo et al. 297/483
4,642,853 A * 2/1987 Plesniarski et al. 24/163 R
D359,710 S * 6/1995 Chinni et al. D11/218
D364,126 S * 11/1995 Ochiai et al. D11/218
D373,975 S * 9/1996 Anscher D11/218

FIG. 2 is a top view thereof;

FIG. 3 is a bottom view thereof;

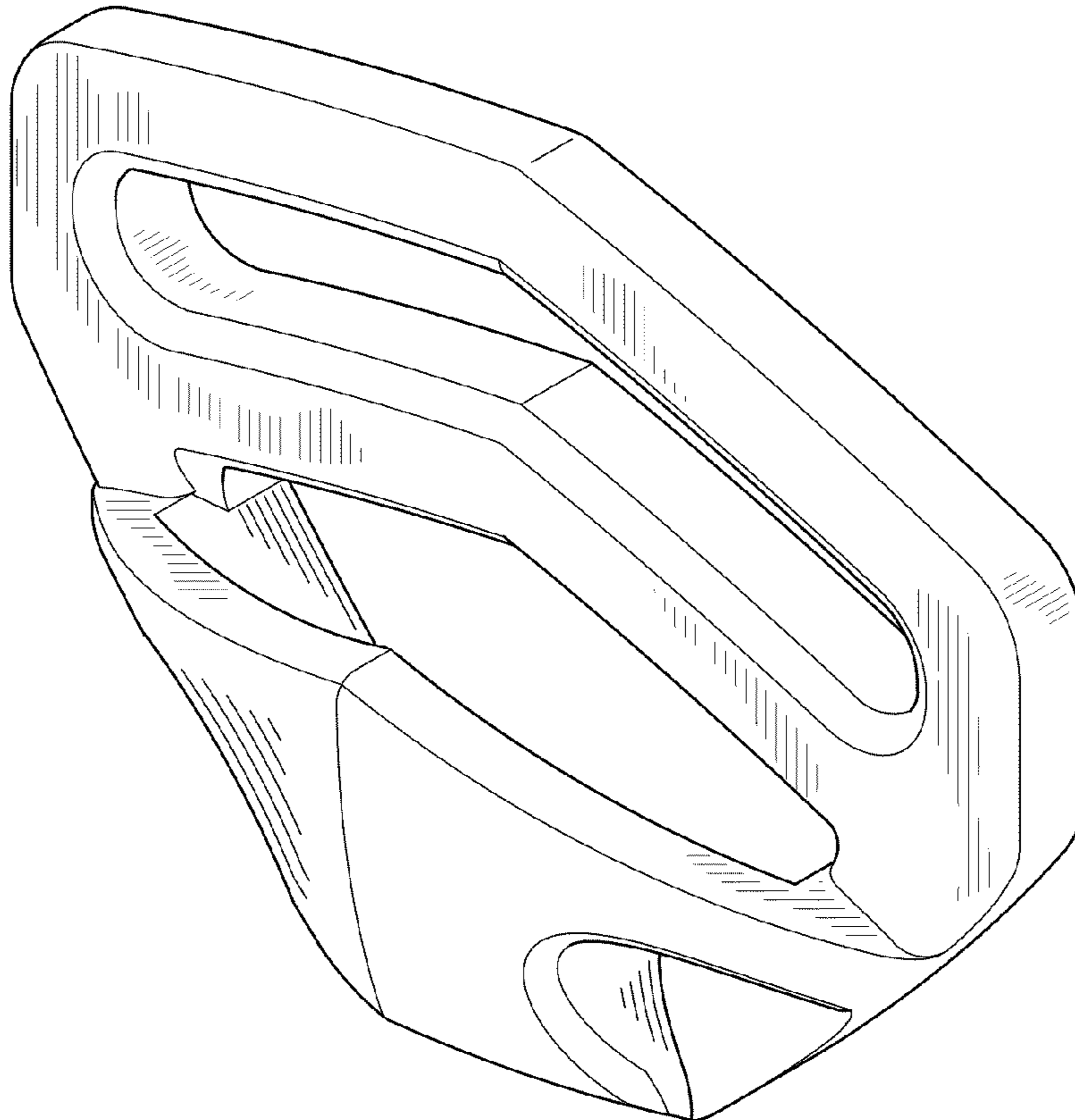
FIG. 4 is a left side view thereof;

FIG. 5 is a right side view thereof;

FIG. 6 is a front end view thereof; and,

FIG. 7 is a back end view thereof.

1 Claim, 4 Drawing Sheets



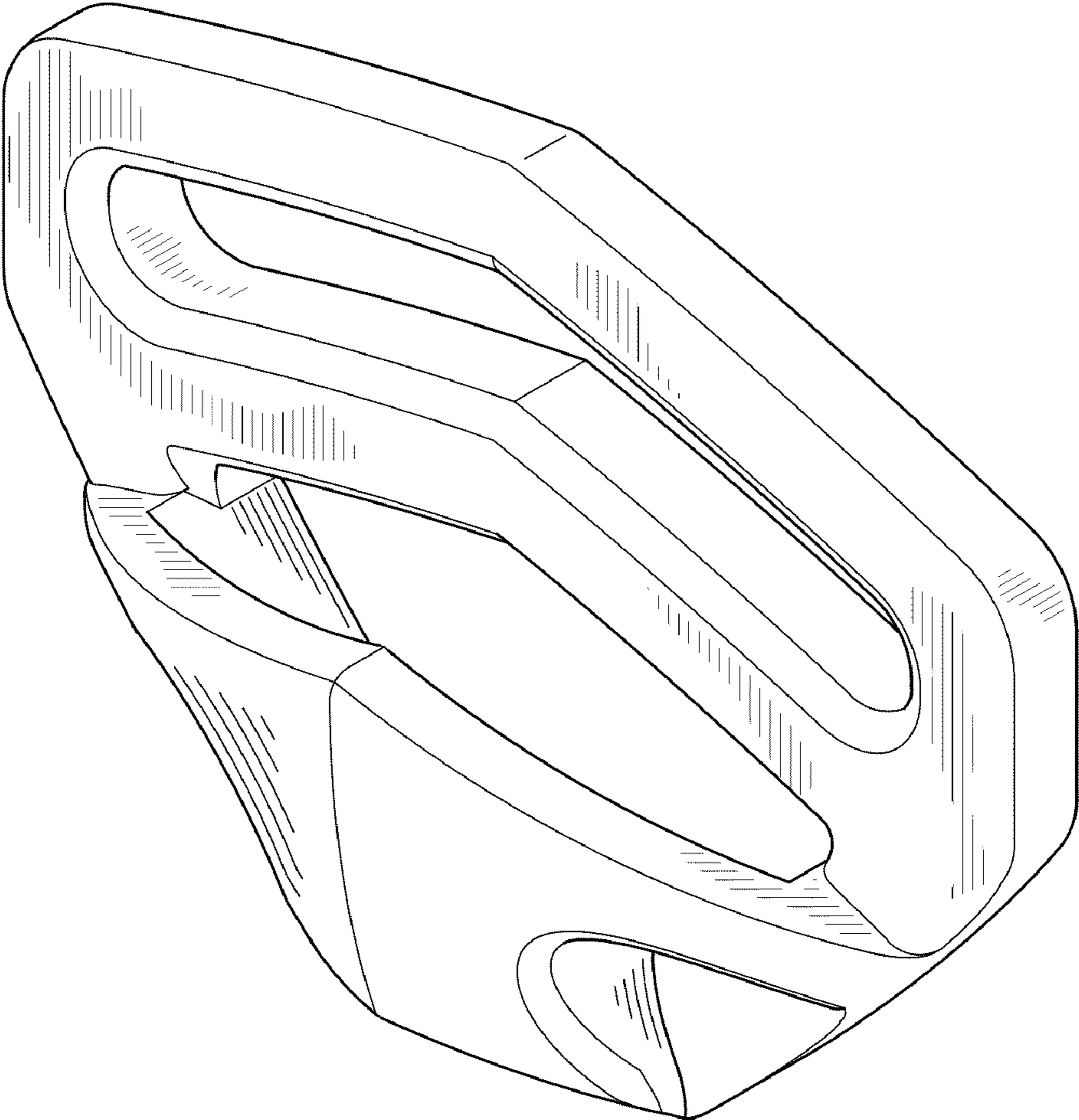


FIG. 1

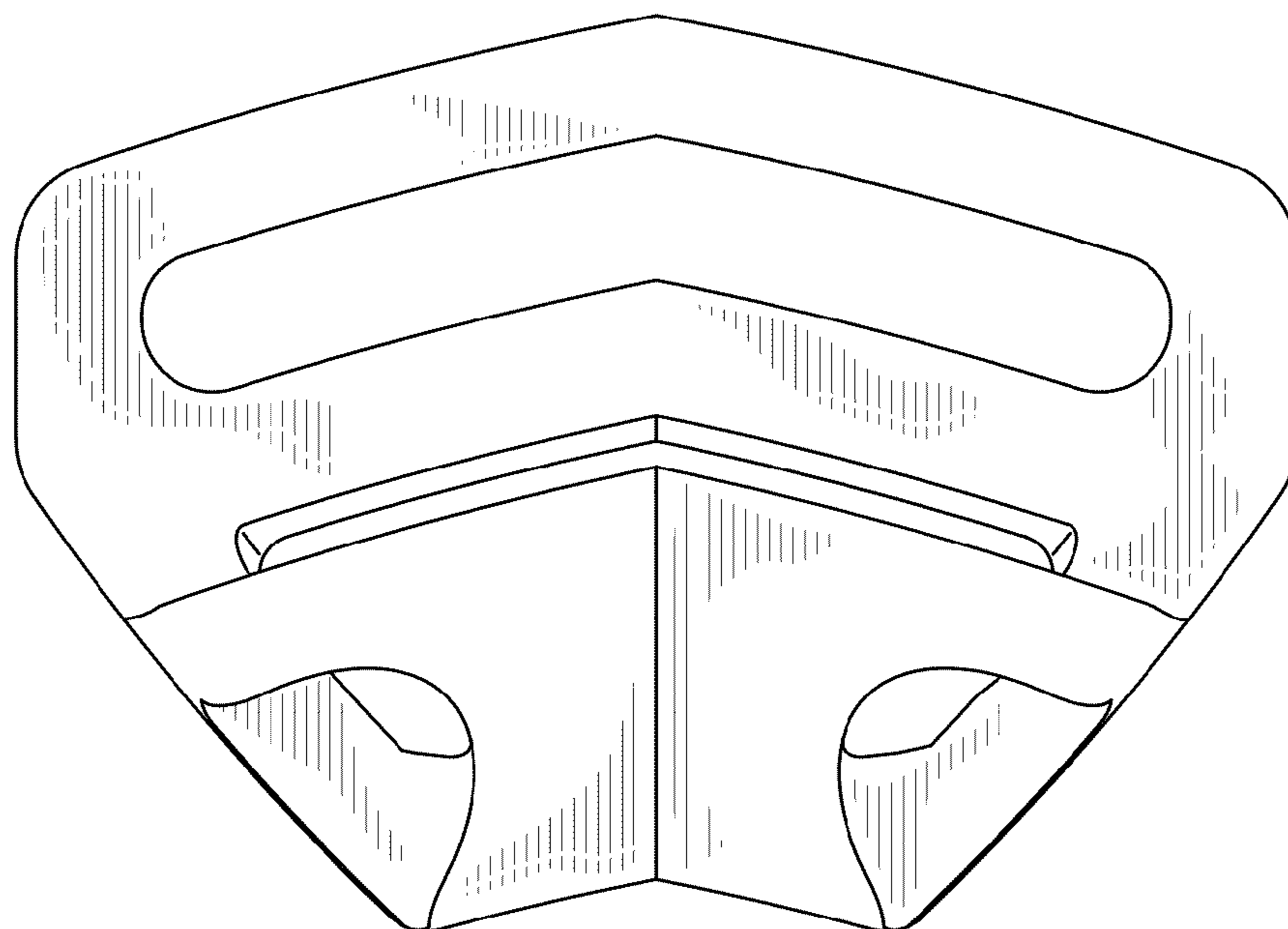


FIG. 2

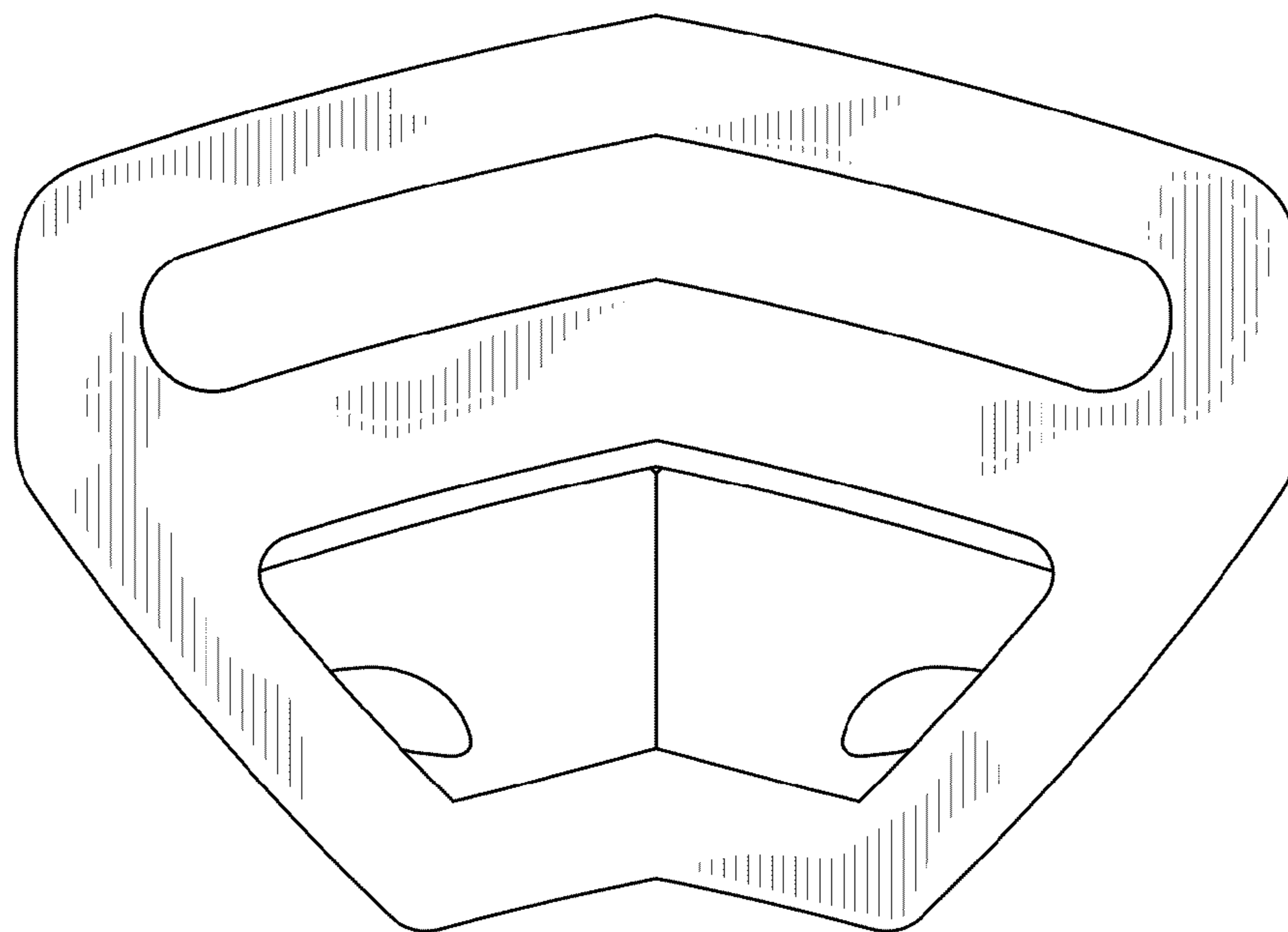


FIG. 3

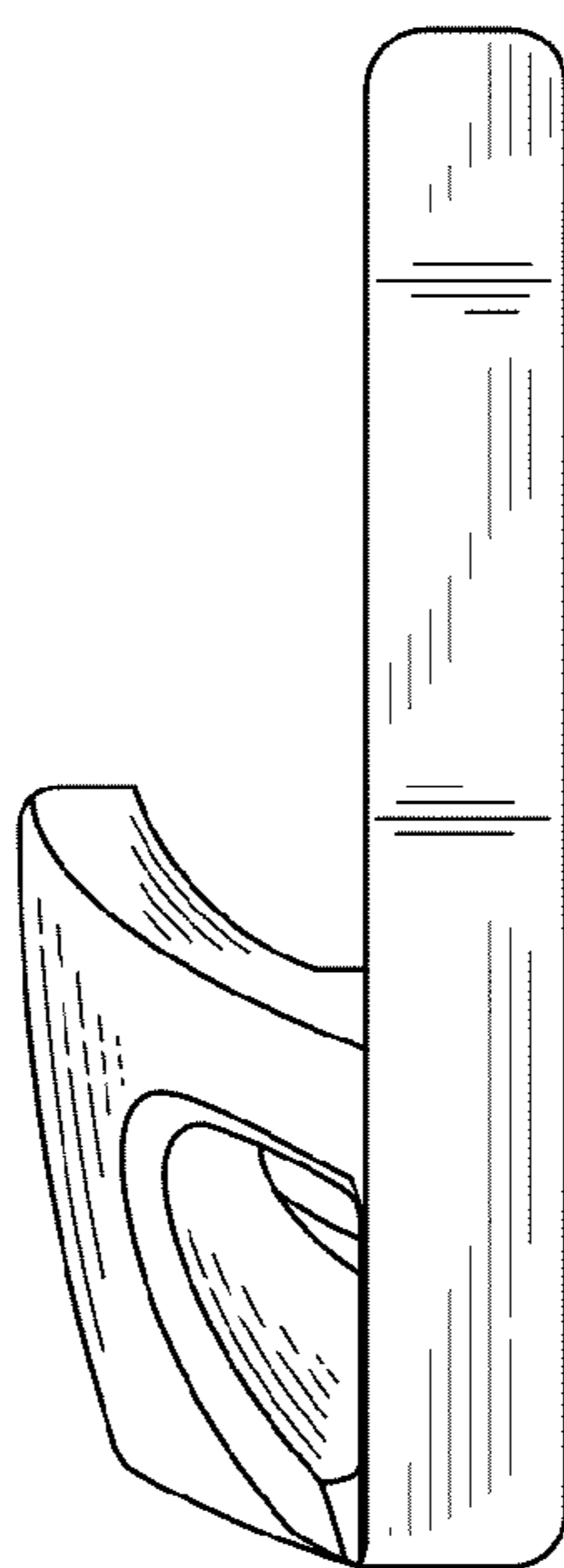


FIG. 4

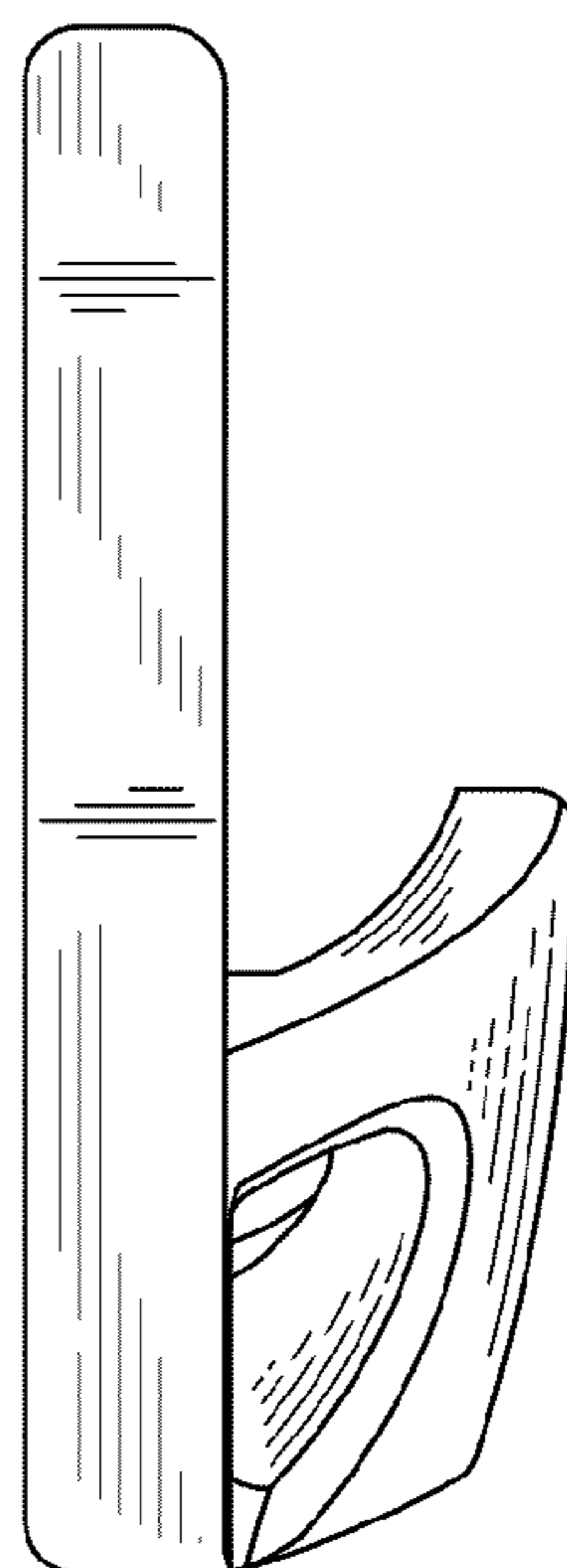


FIG. 5

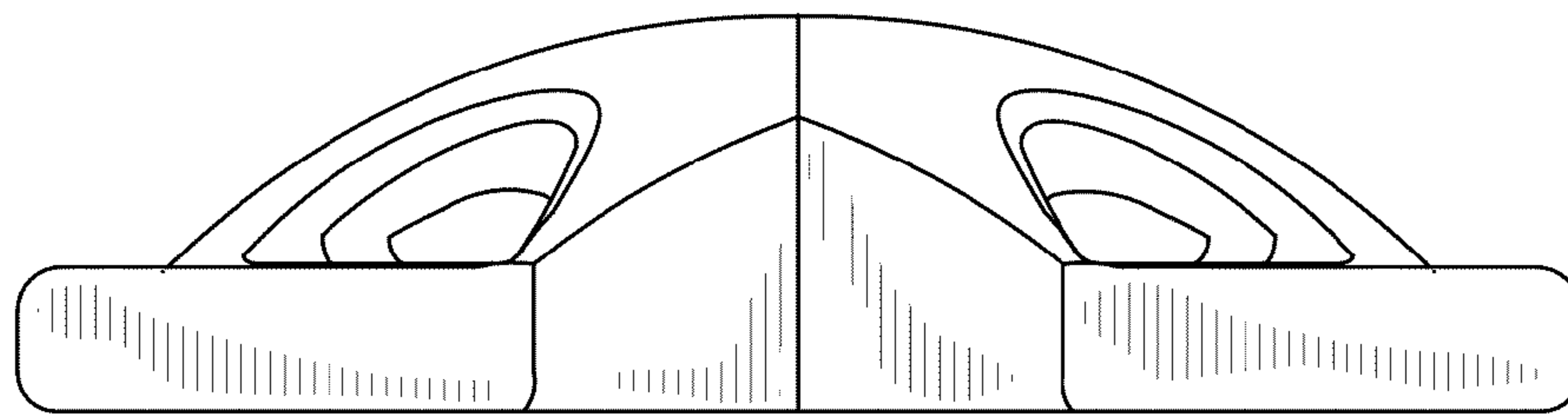


FIG. 6

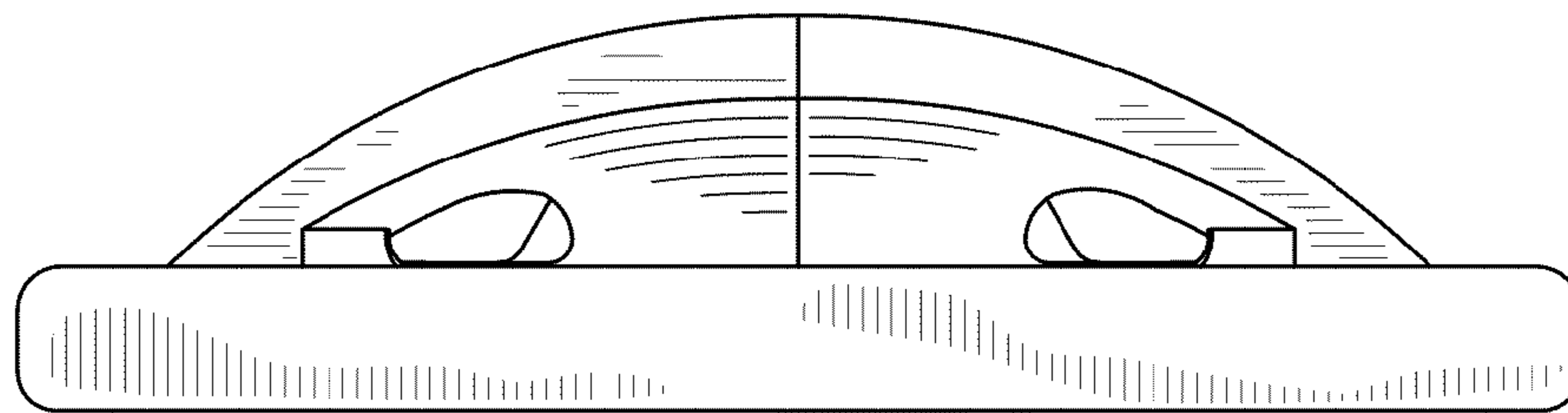


FIG. 7