



US00D647423S

(12) **United States Design Patent**
Khimavat

(10) **Patent No.:** **US D647,423 S**

(45) **Date of Patent:** **** Oct. 25, 2011**

(54) **DIAMOND ORNAMENT**

(75) Inventor: **Rajan Khimavat**, Bangkok (TH)

(73) Assignee: **Su-Raj Inter Gold Pvt. Ltd.**, Bangkok (TH)

(**) Term: **14 Years**

(21) Appl. No.: **29/388,691**

(22) Filed: **Mar. 31, 2011**

(51) **LOC (9) Cl.** **11-02**

(52) **U.S. Cl.** **D11/91; D11/40**

(58) **Field of Classification Search** D11/1,
D11/2, 86-91, 34-43, 79, 80, 222, 47, 75;
63/12, 13, 14, 18, 26-28, 29.1, 29.2, 31,
63/32, 1.11

See application file for complete search history.

(56) **References Cited**

U.S. PATENT DOCUMENTS

D223,280 S *	4/1972	Page	D11/86
D454,090 S *	3/2002	Kaplan	D11/91
6,550,275 B2 *	4/2003	Steinberg	63/28
D508,868 S *	8/2005	Pinto et al.	D11/92
D515,451 S *	2/2006	Pinto et al.	D11/7
D553,543 S *	10/2007	Kothari	D11/92
D556,083 S *	11/2007	Kothari	D11/91
D563,260 S *	3/2008	Shah	D11/91

D570,727 S *	6/2008	Shah	D11/91
D584,184 S *	1/2009	Dholakiya	D11/91
D587,159 S *	2/2009	Dholakiya	D11/91
D598,804 S *	8/2009	Jiwani	D11/91
D615,900 S *	5/2010	Chawla	D11/34
D620,387 S *	7/2010	Kothari	D11/91
7,762,104 B2 *	7/2010	Lin	63/28
D624,845 S *	10/2010	Shah	D11/91
D632,207 S *	2/2011	Gurfinkel	D11/91
D633,409 S *	3/2011	Grosser-Samuels	D11/91

* cited by examiner

Primary Examiner — Cathron Brooks

Assistant Examiner — Melanie Levy

(74) *Attorney, Agent, or Firm* — Westerman, Hattori, Daniels & Adrian, LLP

(57) **CLAIM**

An ornamental design for a diamond ornament, as shown and described.

DESCRIPTION

FIG. 1 is a perspective view of a diamond ornament showing our new design;

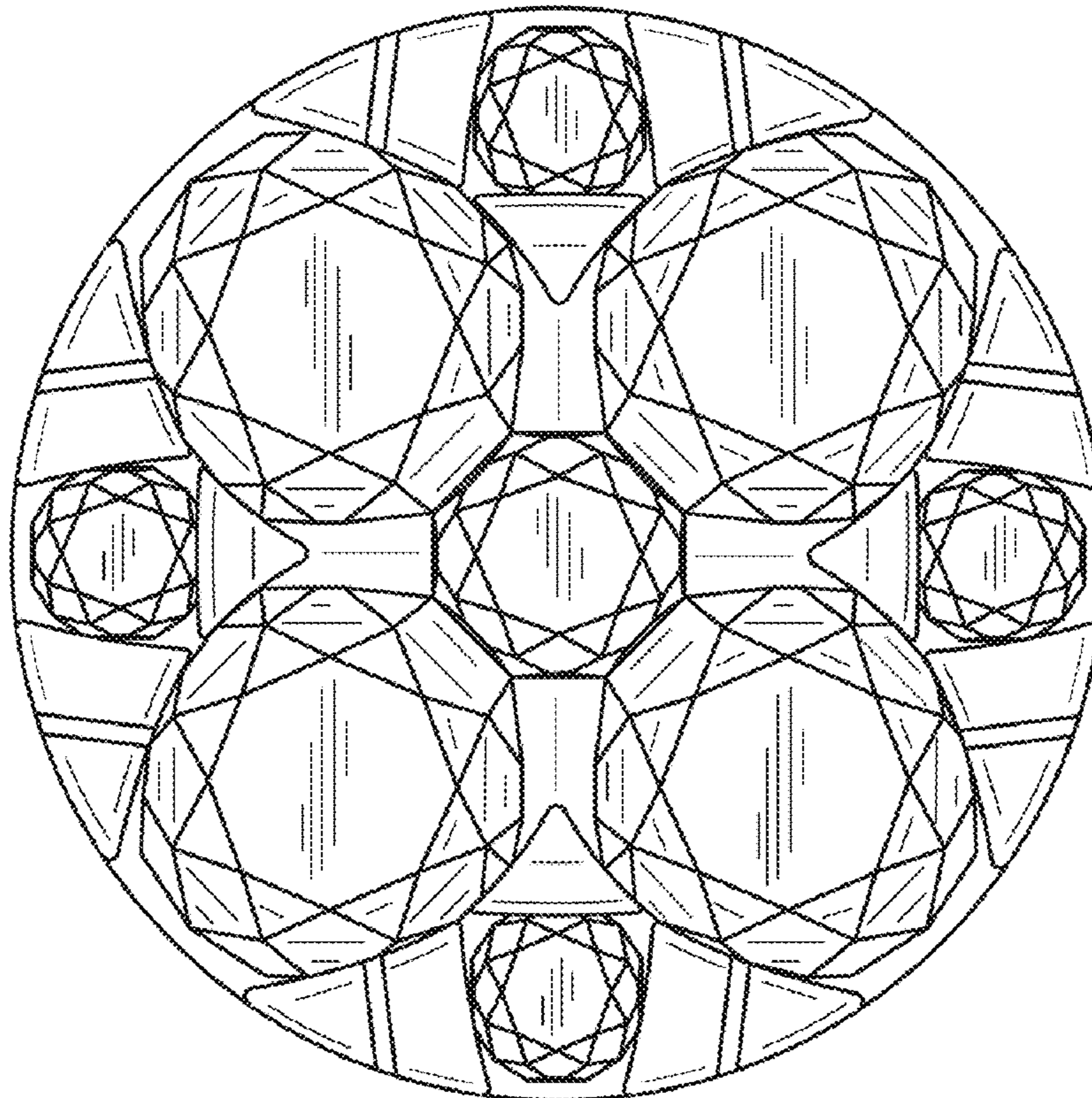
FIG. 2 is a top plan view thereof;

FIG. 3 is a front side elevational view thereof, the rear side being identical thereto, and the left and right side elevational views also being identical thereto;

FIG. 4 is a bottom plan view thereof; and,

FIG. 5 is a bottom perspective view thereof.

1 Claim, 5 Drawing Sheets



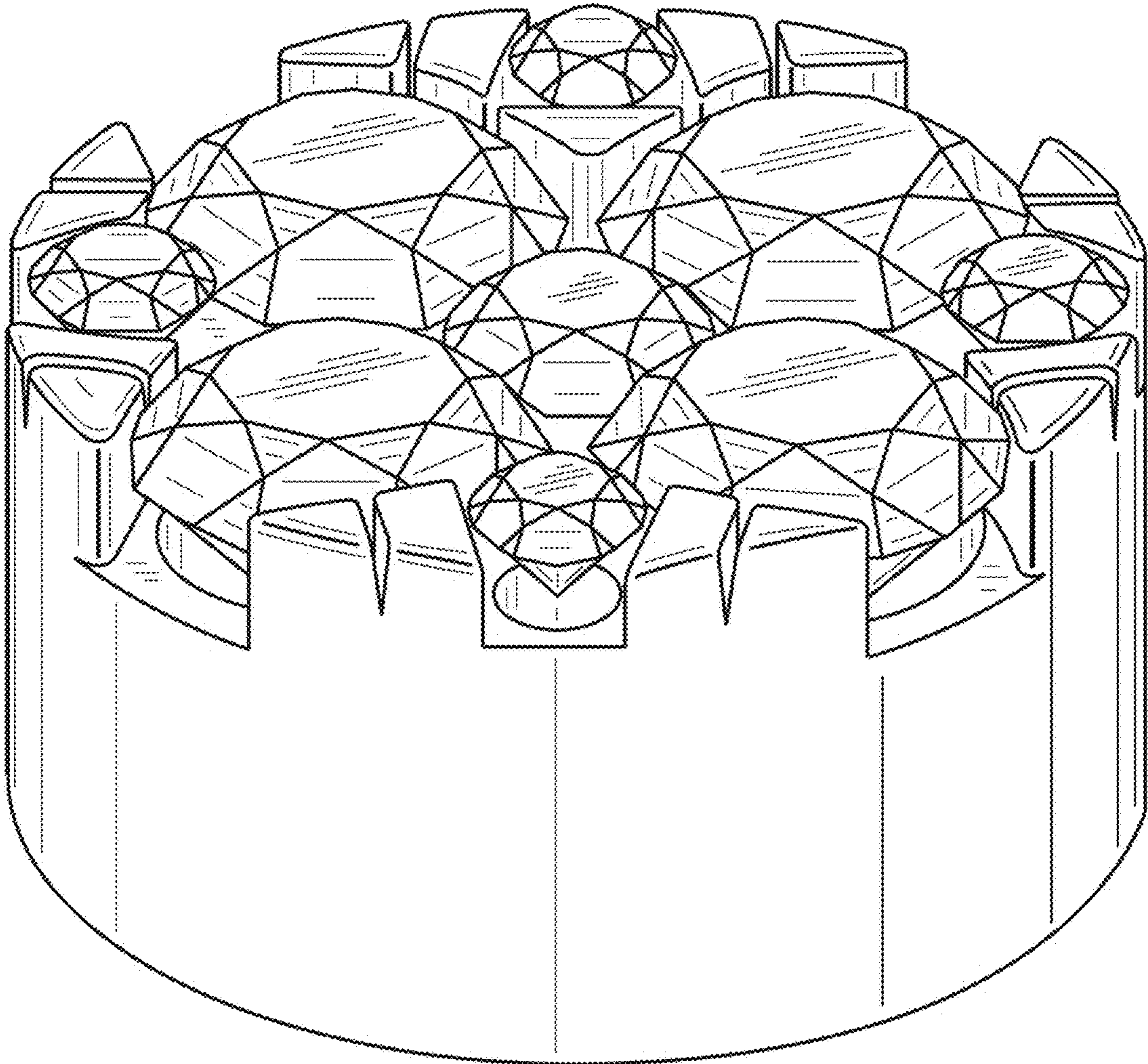


FIG. 1

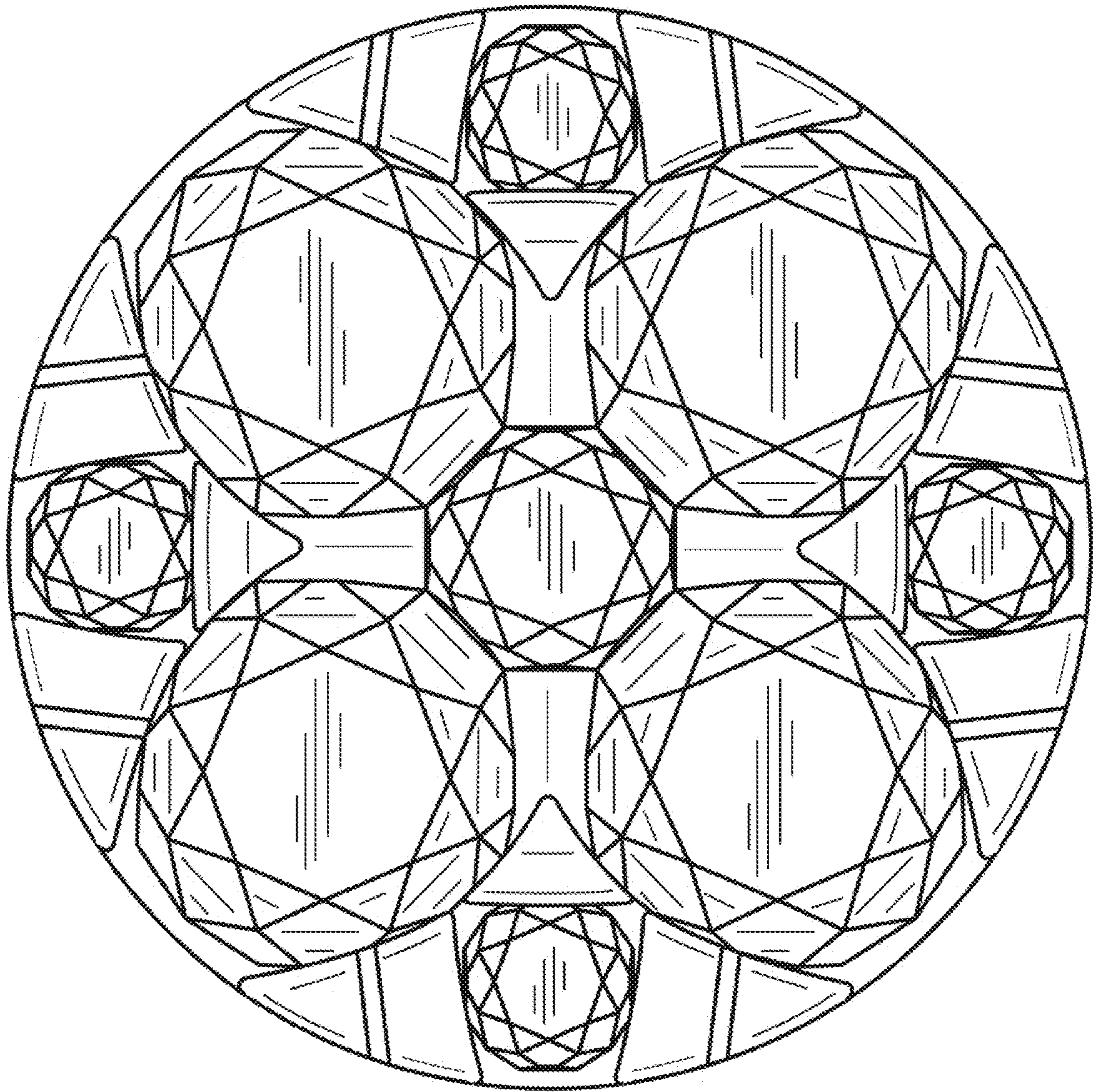


FIG.2

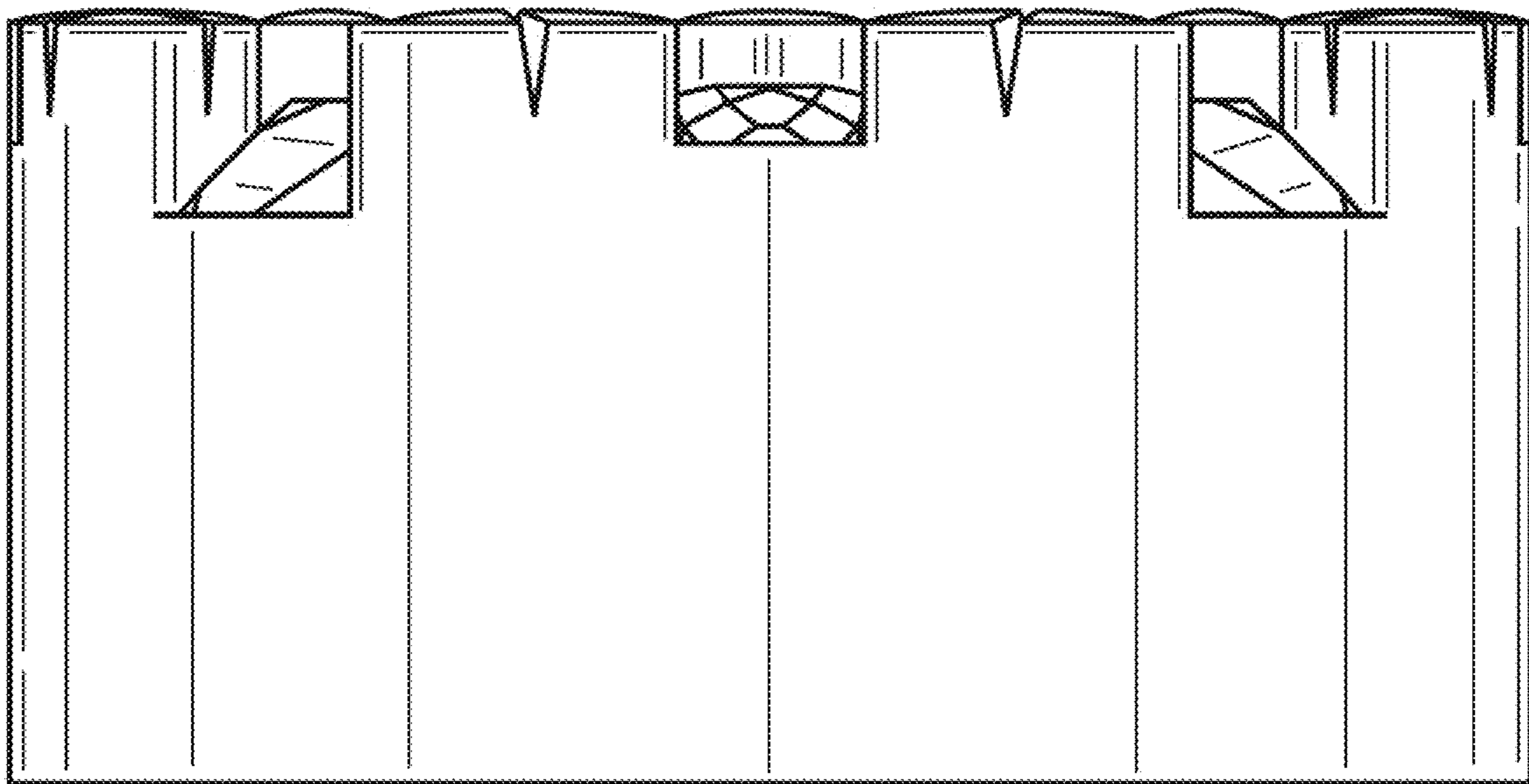


FIG. 3

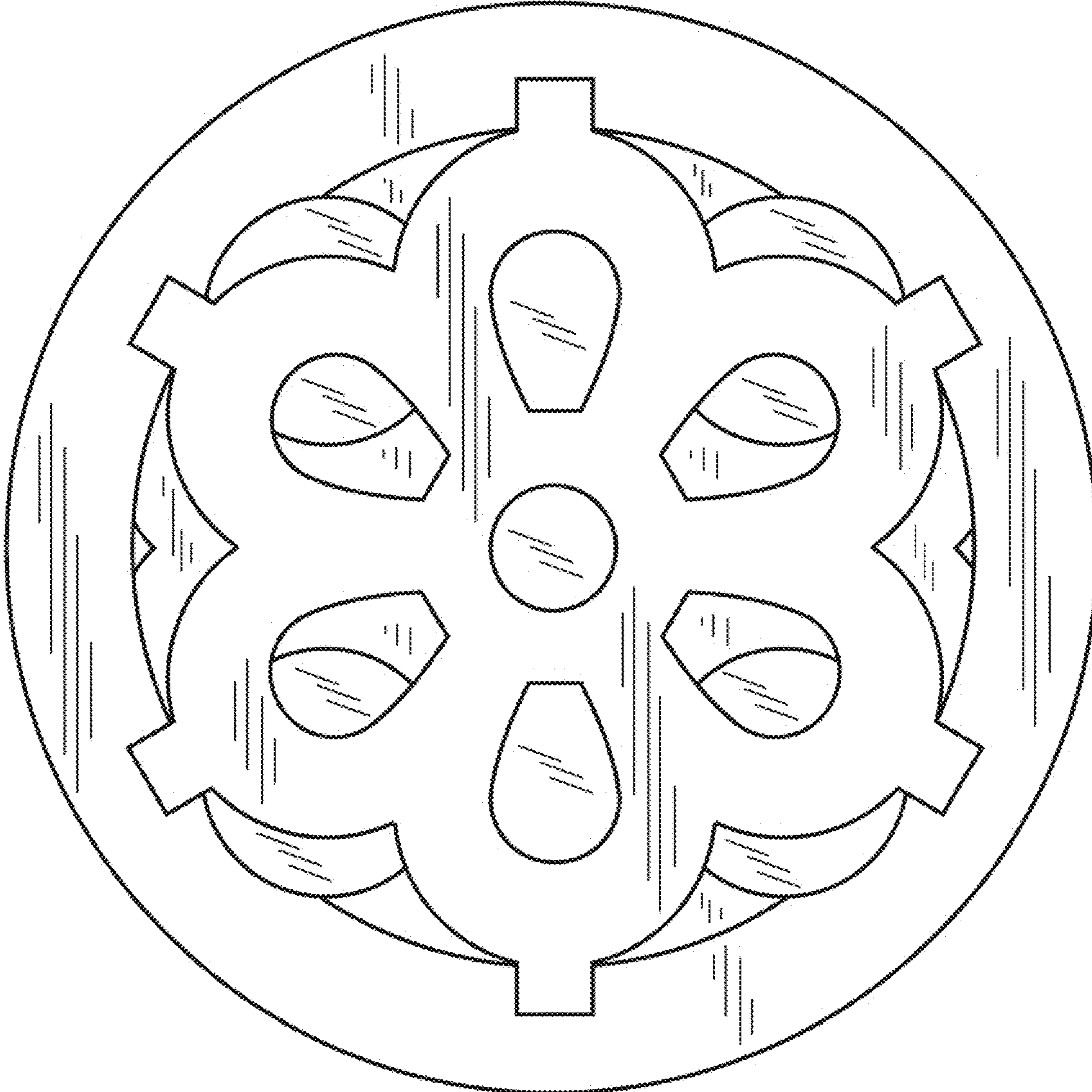


FIG. 4

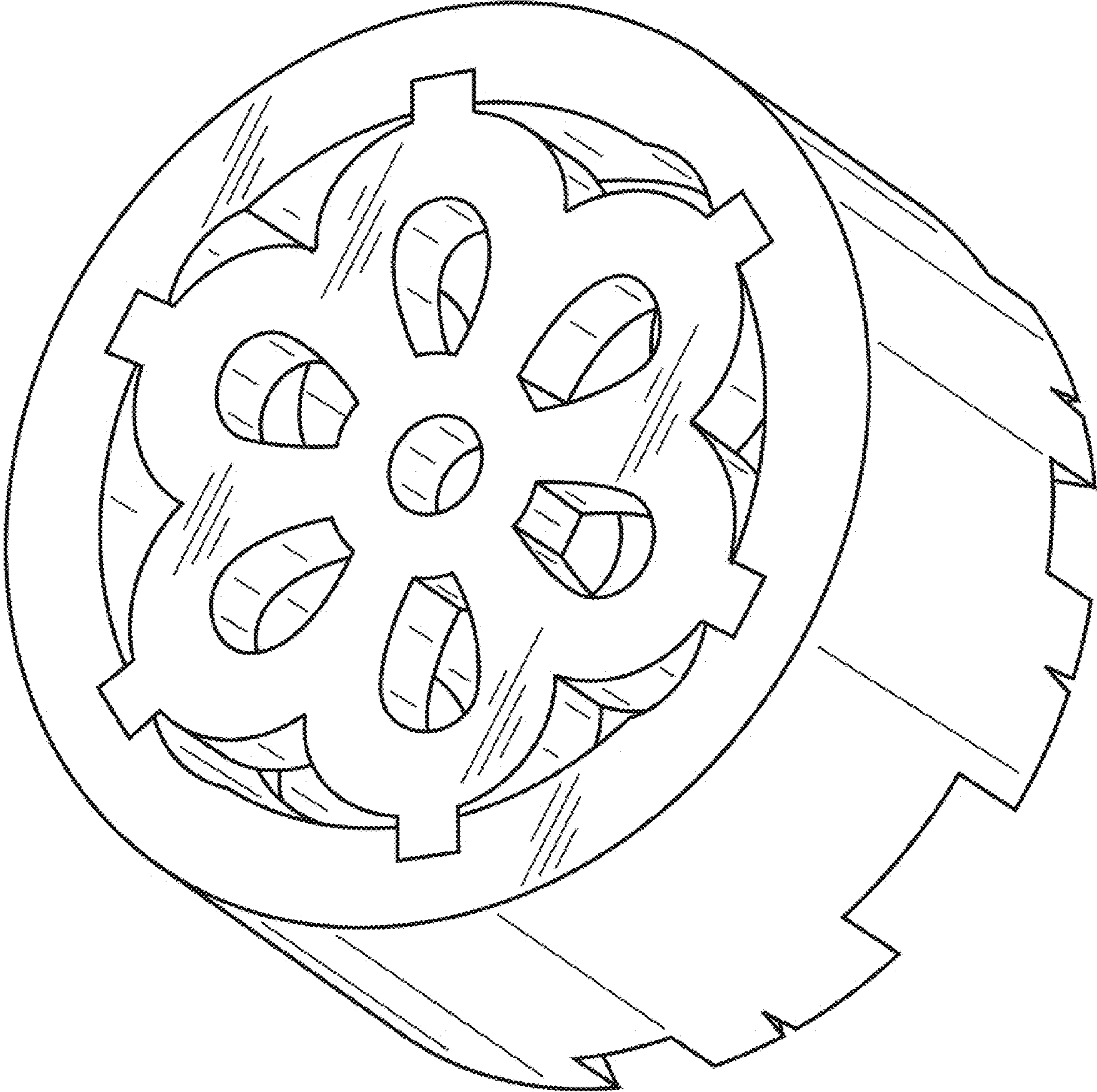


FIG.5