



US00D647422S

(12) **United States Design Patent**
Granig

(10) **Patent No.:** **US D647,422 S**

(45) **Date of Patent:** **** Oct. 25, 2011**

(54) **STONE**

(75) Inventor: **Martin Granig**, Rum (AT)

(73) Assignee: **Swarovski Aktiengesellschaft**, Triesen (LI)

(**) Term: **14 Years**

(21) Appl. No.: **29/378,367**

(22) Filed: **Nov. 3, 2010**

(30) **Foreign Application Priority Data**

Jul. 19, 2010 (EM) 1225502-0016

(51) **LOC (9) Cl.** **11-01**

(52) **U.S. Cl.** **D11/89**

(58) **Field of Classification Search** D11/1-2,
D11/26-29, 89-92; 63/26-28, 32

See application file for complete search history.

(56) **References Cited**

U.S. PATENT DOCUMENTS

D546,230	S	*	7/2007	Swarovski	D11/90
D546,231	S	*	7/2007	Swarovski	D11/90
D547,231	S	*	7/2007	Swarovski	D11/90
D550,115	S	*	9/2007	Pandya et al.	D11/90

* cited by examiner

Primary Examiner — Ralf Seifert

(74) *Attorney, Agent, or Firm* — Wenderoth, Lind & Ponack, L.L.P.

(57) **CLAIM**

The ornamental design for an ornamental stone, as shown and described.

DESCRIPTION

FIG. 1 is a front view of the invention;
FIG. 2 is a rear view of the invention;
FIG. 3 is a left side view of the invention;
FIG. 4 is a right side view of the invention;
FIG. 5 is a top view of the invention;
FIG. 6 is a bottom view of the invention; and,
FIG. 7 is a perspective view of the invention.

1 Claim, 7 Drawing Sheets

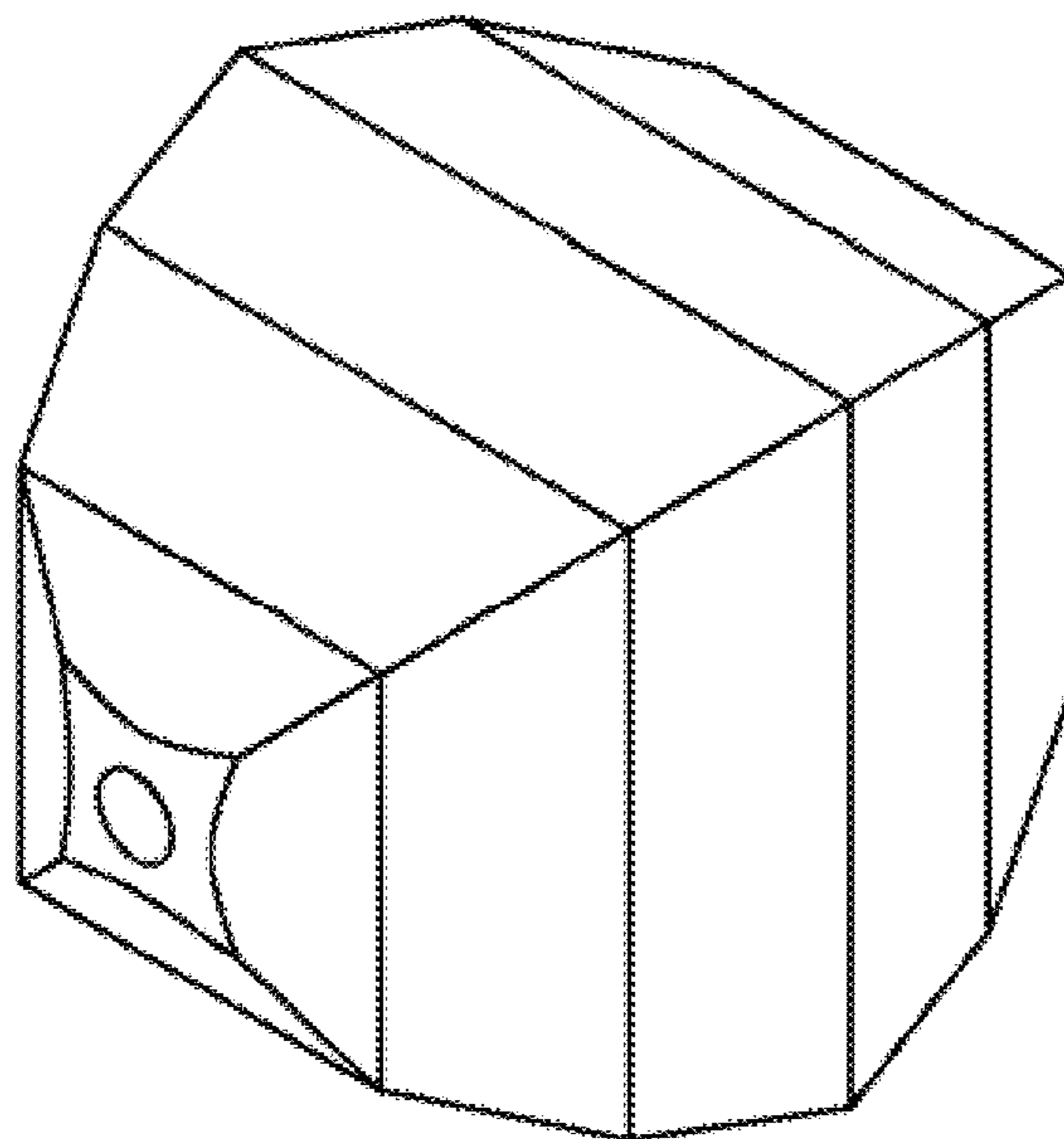


FIG. 1

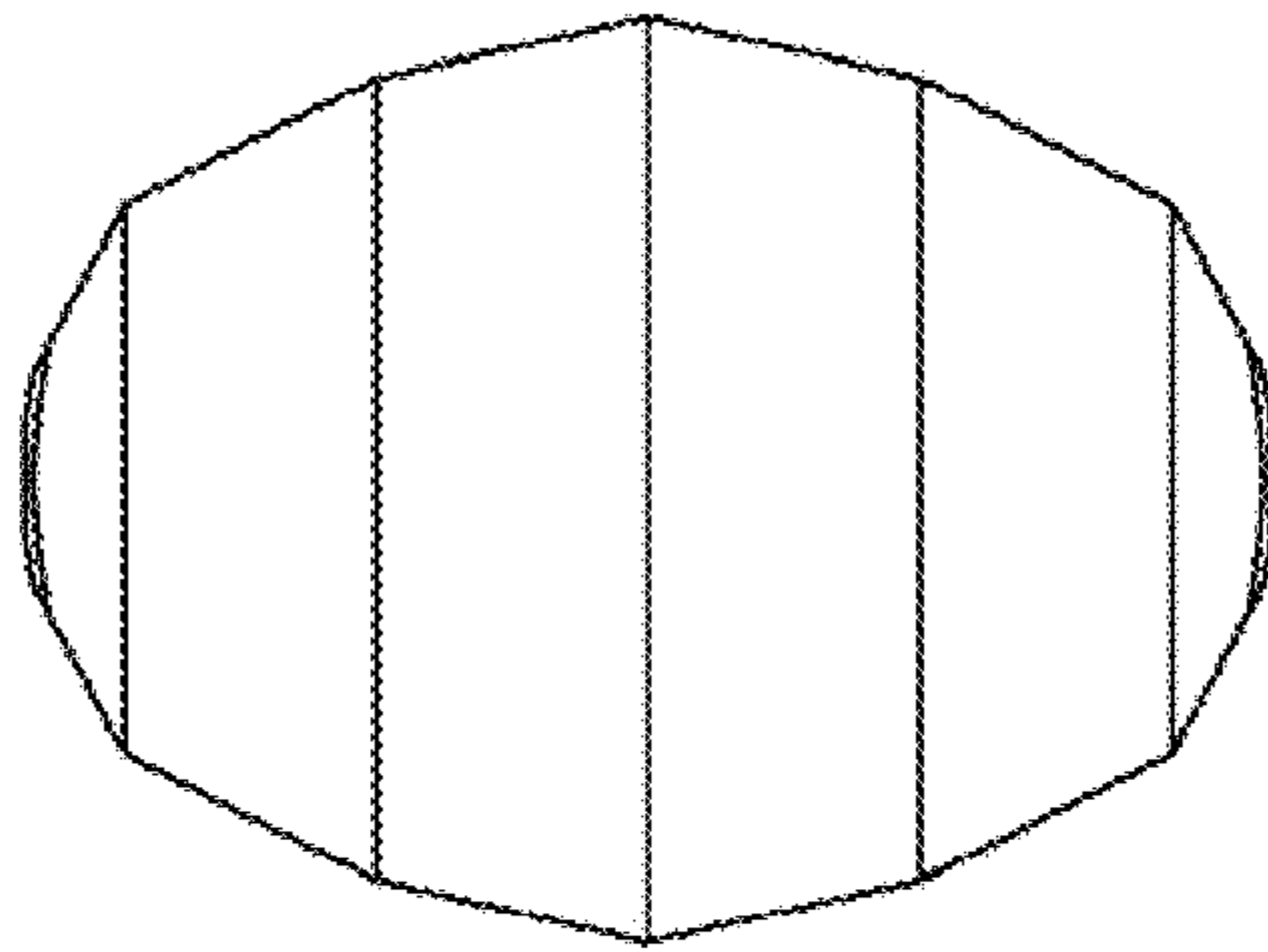


FIG. 2

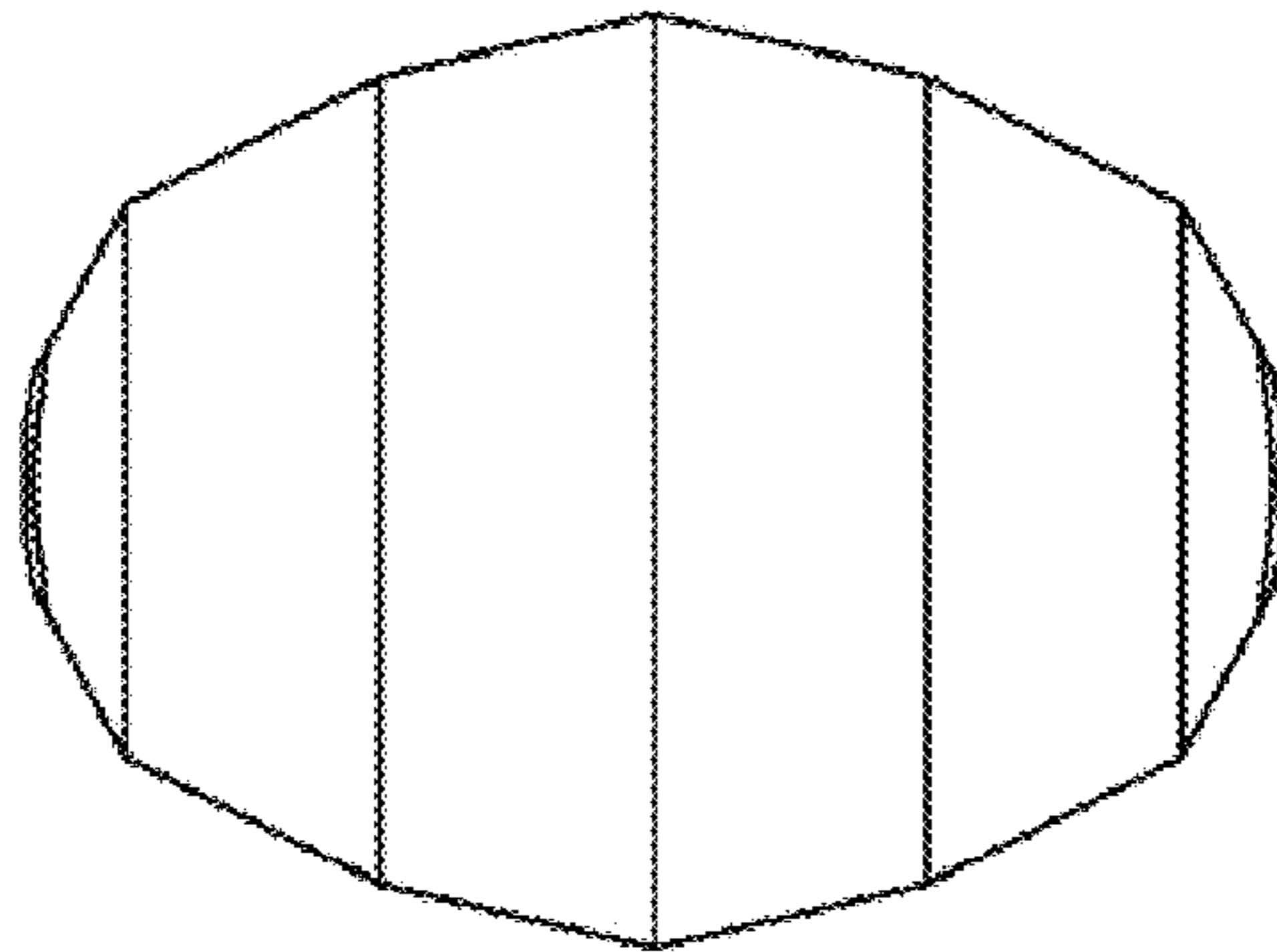


FIG. 3

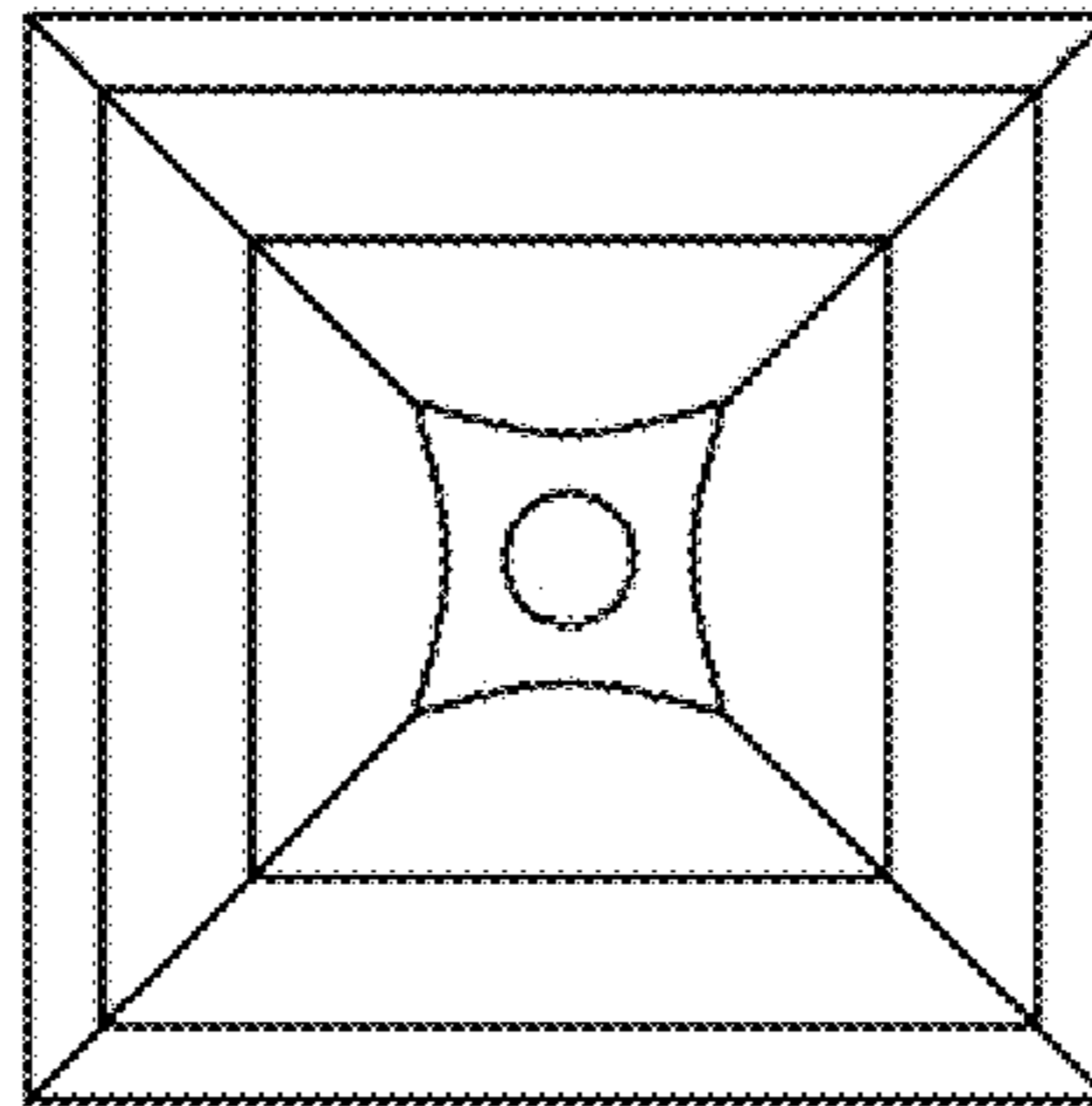


FIG. 4

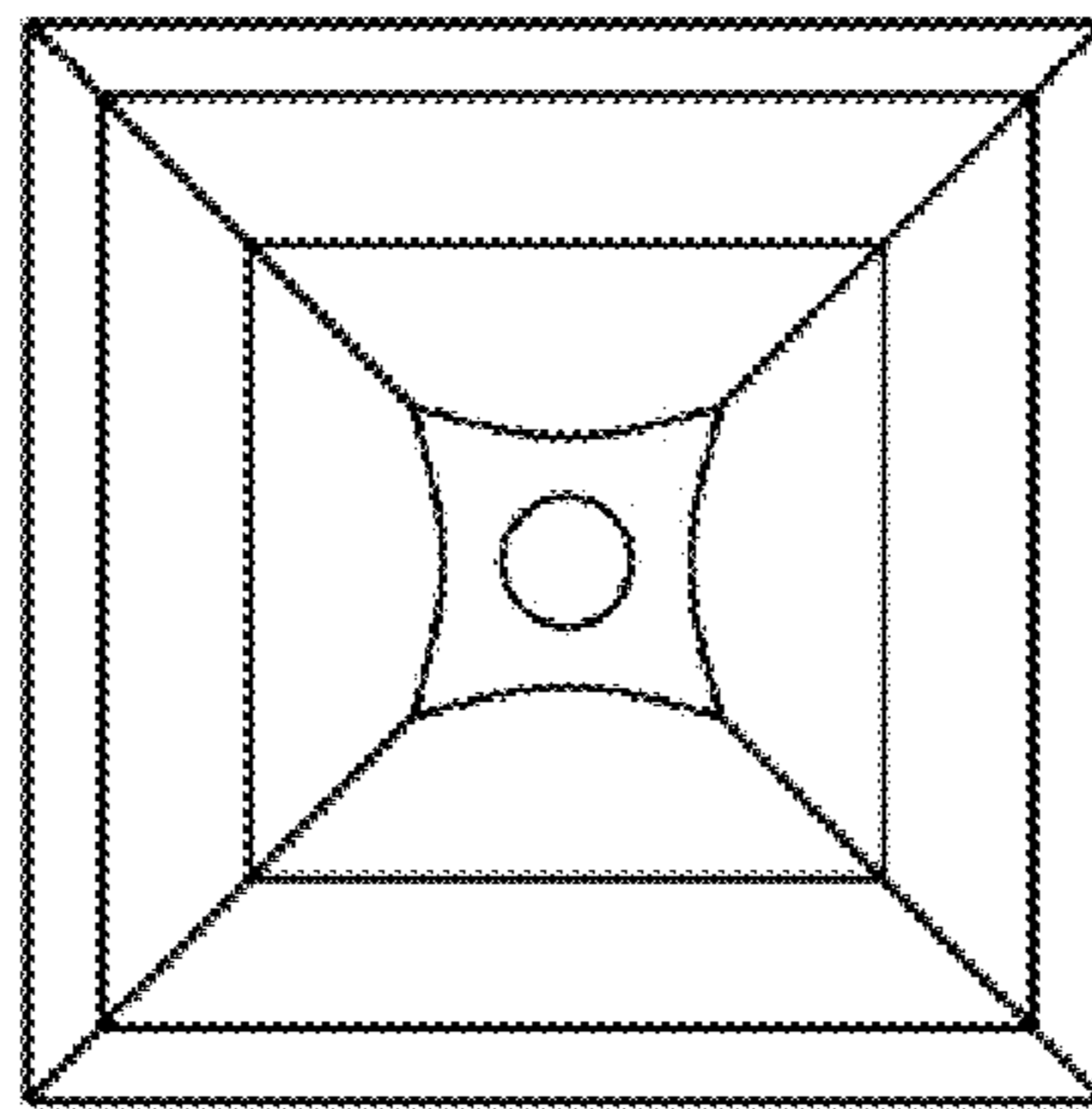


FIG. 5

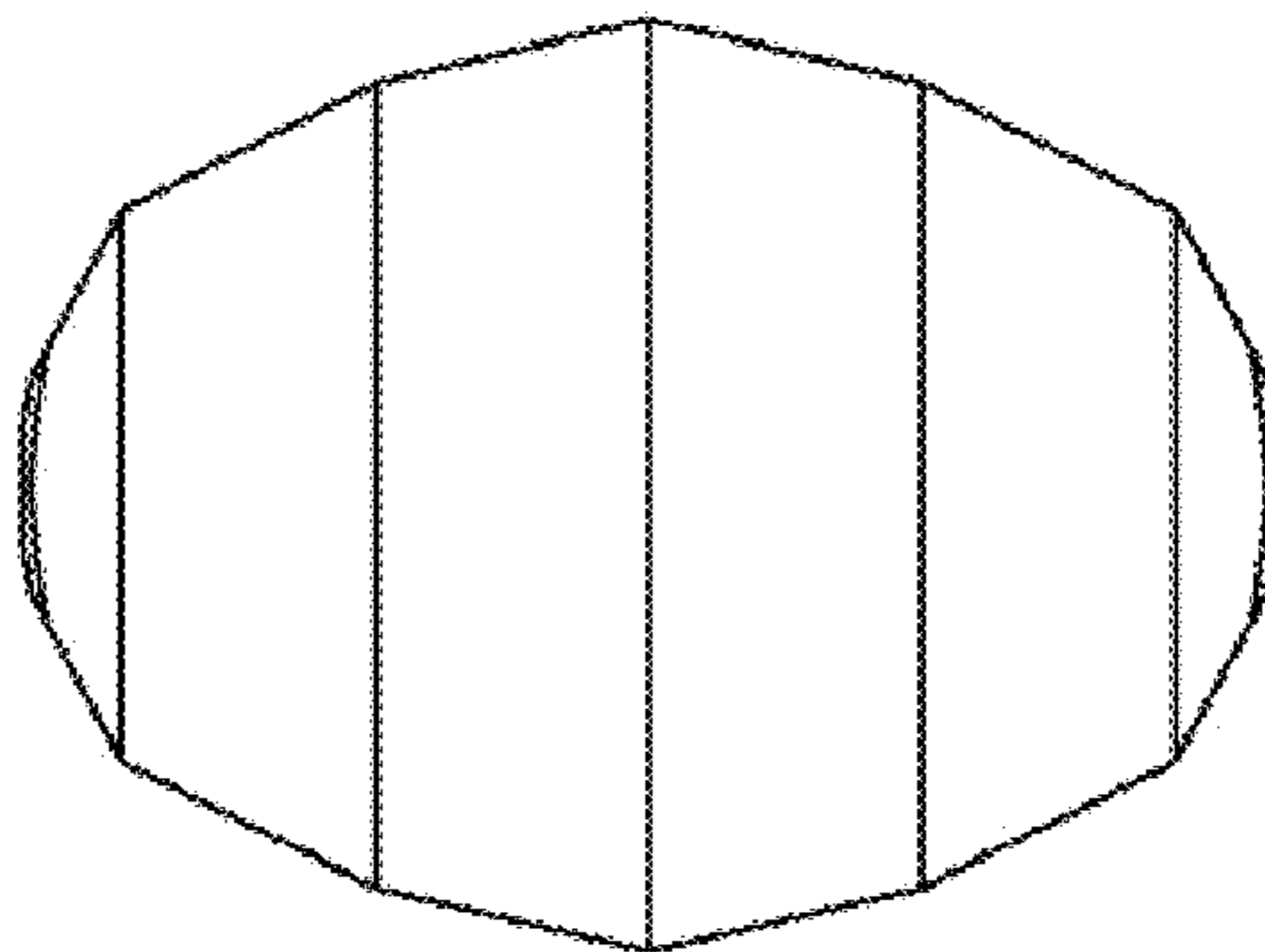


FIG. 6

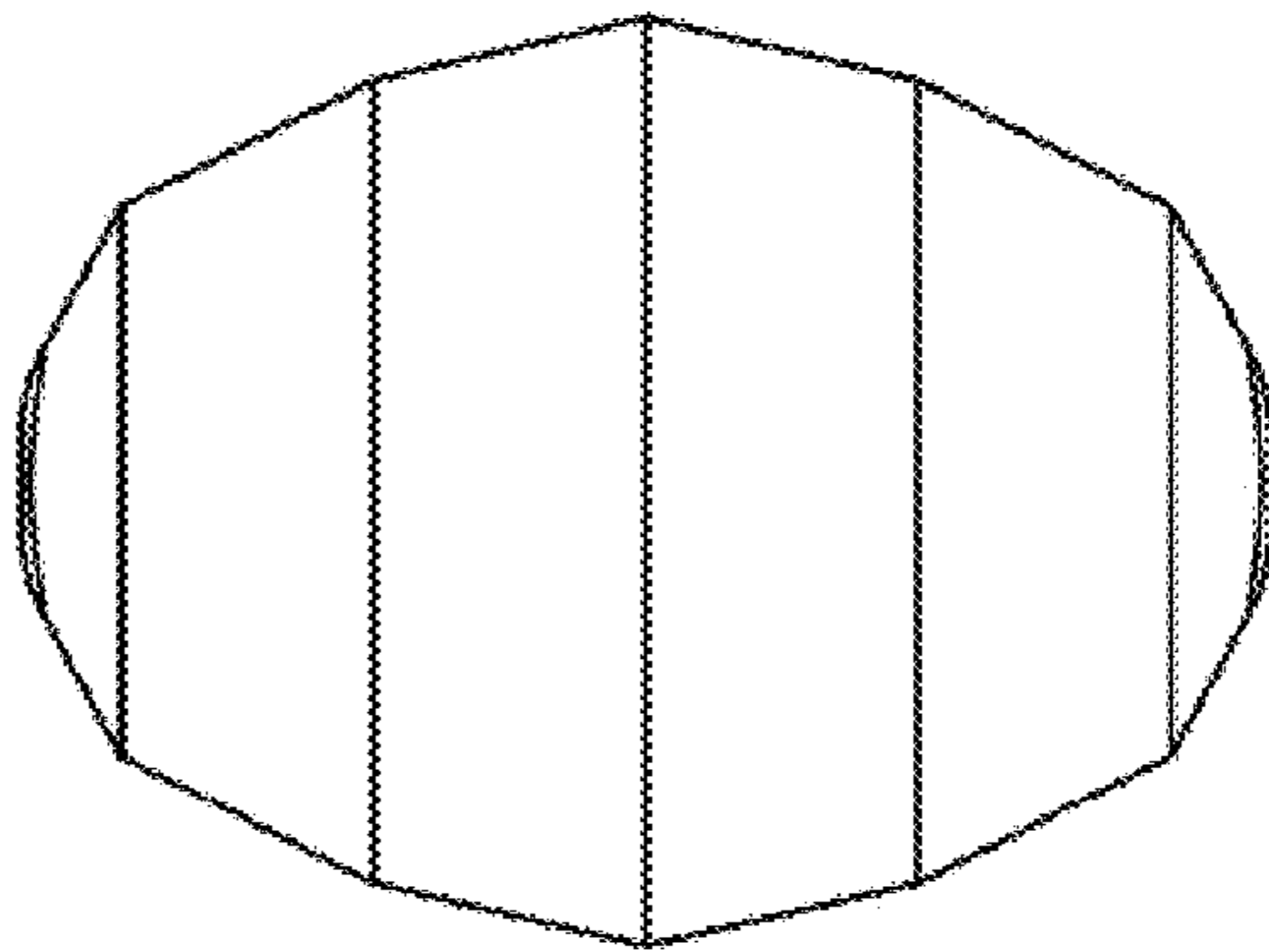


FIG. 7

