



US00D647418S

(12) **United States Design Patent**
Miller et al.

(10) **Patent No.:** **US D647,418 S**
(45) **Date of Patent:** **** Oct. 25, 2011**

(54) **LIGHT EMITTING DIODE MINI-LIGHT BAR**

(75) Inventors: **Roger L. Miller**, Crestwood, KY (US);
Yeh (Peter) Neng Chen, Tainan Hsien
(TW); **Kevin Cho**, Tainan Hsien (TW)

(73) Assignee: **Code 3, Inc.**, St. Louis, MO (US)

(**) Term: **14 Years**

(21) Appl. No.: **29/356,344**

(22) Filed: **Feb. 24, 2010**

(51) **LOC (9) Cl.** **10-05**

(52) **U.S. Cl.** **D10/114.4; D26/24**

(58) **Field of Classification Search** D26/24,
D26/1, 2, 25, 26, 37, 72, 73, 74, 77, 93, 104,
D26/113, 118, 28, 35; D13/180, 182; 362/555,
362/563, 576, 145, 147, 148, 153, 157, 186,
362/290, 294, 317, 335, 351, 364, 373, 800,
362/805, 806, 460, 493; D10/114.3, 114.4
See application file for complete search history.

(56) **References Cited**

U.S. PATENT DOCUMENTS

D262,659 S	1/1982	Latta	
D280,978 S	10/1985	Gosswiller	
D286,756 S	11/1986	Menke	
D291,870 S	9/1987	Urbanski	
D312,425 S	11/1990	Foster	
D319,601 S	9/1991	Sasaki	
D326,621 S	6/1992	Jincks	
D345,315 S	3/1994	Green	
D345,316 S	3/1994	Green	
D355,142 S	2/1995	Wagner	
D363,675 S	10/1995	Sasaki	
D402,909 S	12/1998	Stanuch	
D410,402 S	6/1999	Stein	
D412,678 S	8/1999	Smith	
D419,249 S *	1/2000	Ford et al.	D26/28

D424,728 S	5/2000	Green	
D425,225 S *	5/2000	Holderfield	D26/37
D427,537 S	7/2000	Green	
D432,038 S	10/2000	Sasaki	
D432,444 S *	10/2000	Sasaki et al.	D10/114.4
D442,106 S	5/2001	Stein	
D457,670 S *	5/2002	Allen	D26/37
D460,950 S	7/2002	Miller	
D469,711 S	2/2003	Neufeglise	
D476,253 S	6/2003	Stein	
D489,466 S	5/2004	Dohogne	

(Continued)

OTHER PUBLICATIONS

Brooking Industries, Inc., Falcon™—Xtreme Minibar,
brookingindustries.com web page, 1 page, downloaded May 25,
2010.

Primary Examiner — Angela J Lee

(74) *Attorney, Agent, or Firm* — Senniger Powers LLP

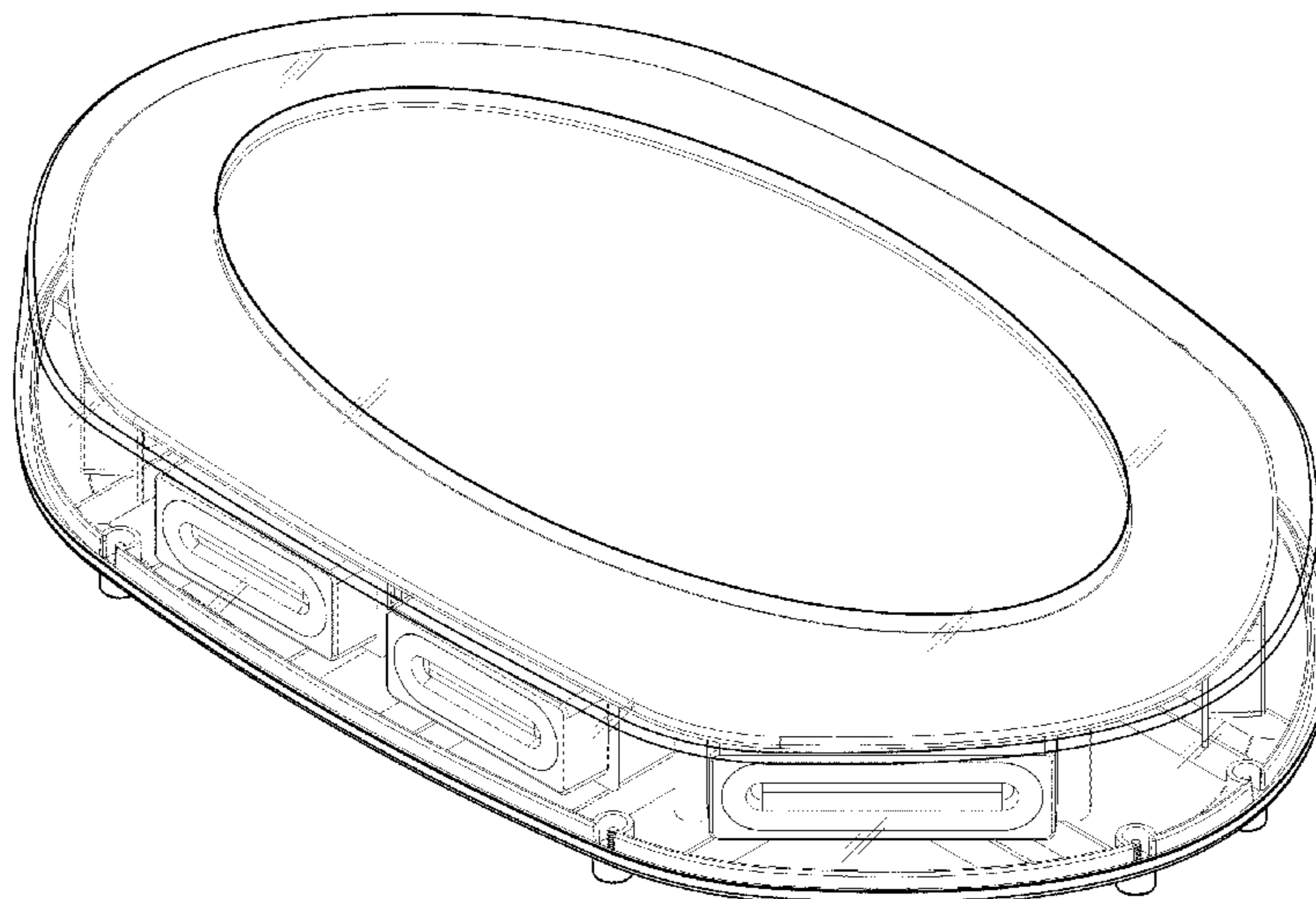
(57) **CLAIM**

The ornamental design for a light emitting diode mini-light
bar, as shown and described.

DESCRIPTION

FIG. 1 is a perspective view of a light emitting diode (LED)
mini-light bar (miniature light bar) of our new design.
FIG. 2 is a front elevational view of the light bar of FIG. 1, the
rear elevational view being the same as the front elevational
view.
FIG. 3 is a right side elevational view of the light bar of FIG.
1, the left side elevational view being the same as the right
side elevational view.
FIG. 4 is a top plan view of the light bar of FIG. 1; and,
FIG. 5 is a bottom plan view of the light emitting diode
beacon light of FIG. 1.

1 Claim, 5 Drawing Sheets



US D647,418 S

Page 2

U.S. PATENT DOCUMENTS

D492,047 S	6/2004	Dohogne	
D518,023 S	3/2006	Miller	
D545,230 S	6/2007	Jalala	
D546,990 S *	7/2007	Wang et al.	D26/37
D547,890 S *	7/2007	Lee	D26/37
D556,074 S	11/2007	Stein	
D564,928 S	3/2008	Belitz	
D578,425 S	10/2008	Shin	
D585,318 S	1/2009	Jalala	
D592,088 S	5/2009	Miller	
D592,180 S	5/2009	Davis	
D602,391 S	10/2009	Stein	
D610,932 S *	3/2010	Shin	D10/114.4
D612,760 S	3/2010	Chen	
D617,226 S *	6/2010	Cai et al.	D10/114.4
D617,227 S *	6/2010	Cai et al.	D10/114.4
D631,771 S *	2/2011	Kuo	D10/114.4
D634,460 S *	3/2011	Seal et al.	D26/37
D637,509 S *	5/2011	Shin	D10/114.4
2009/0116257 A1 *	5/2009	Rosemeyer et al.	362/493

* cited by examiner

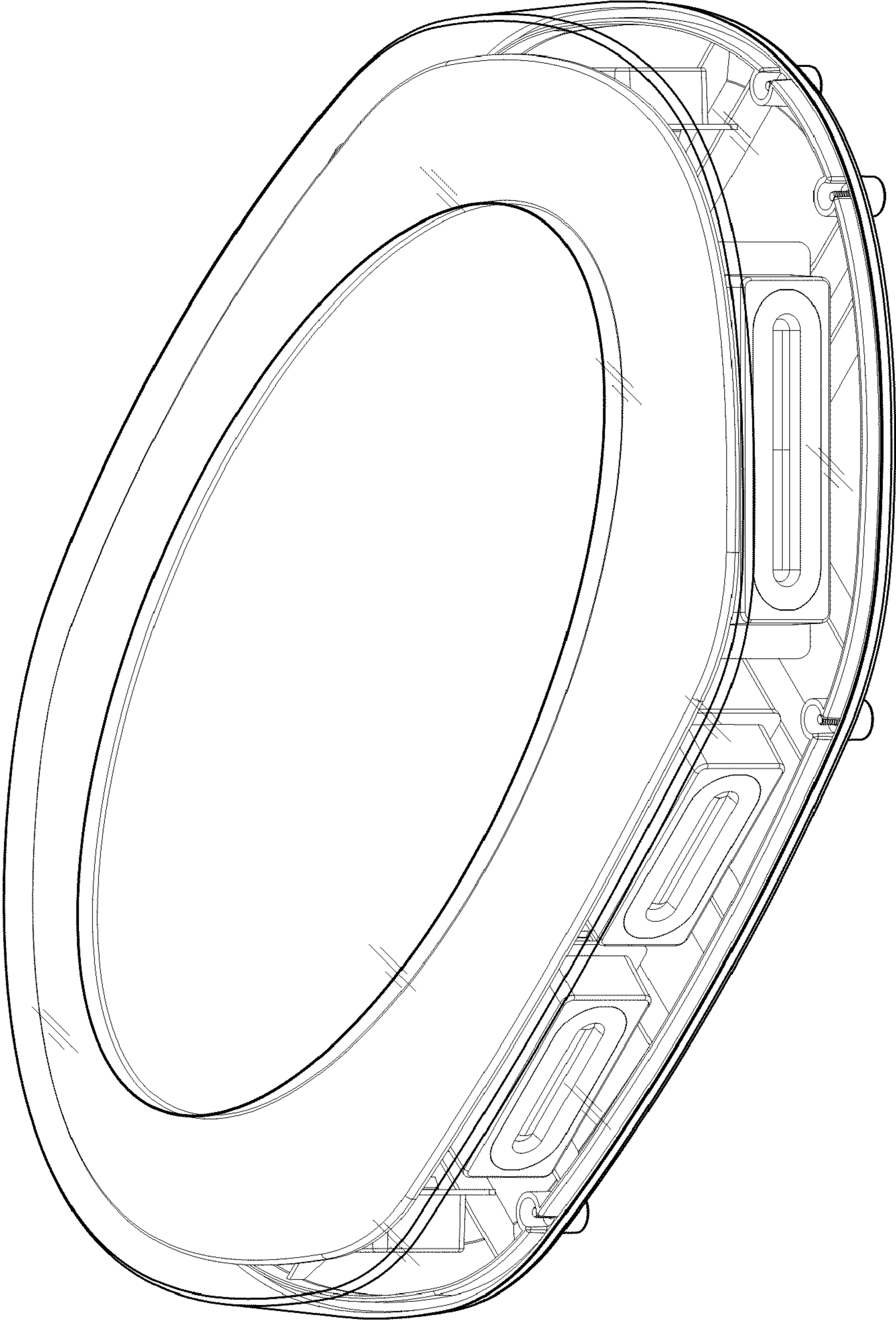


FIG. 1

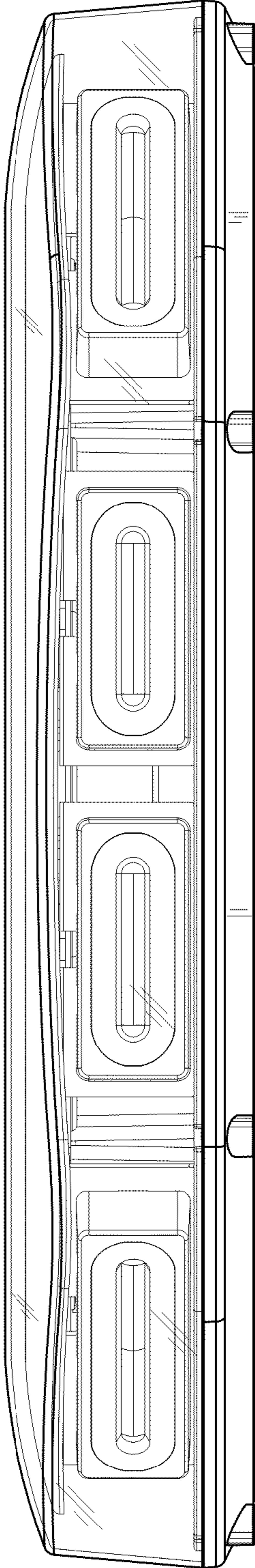
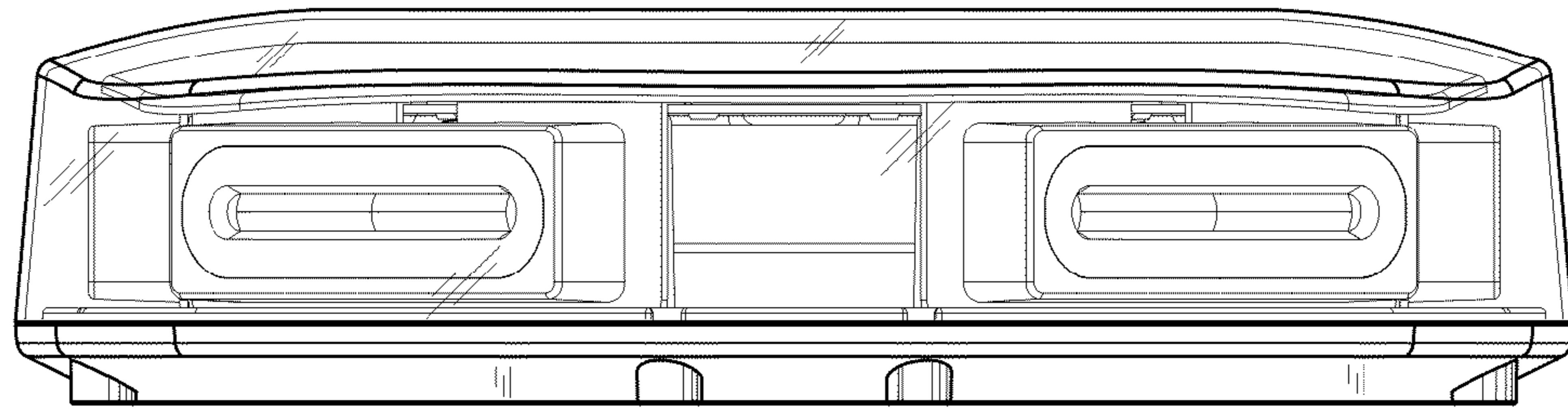


FIG. 2

FIG. 3



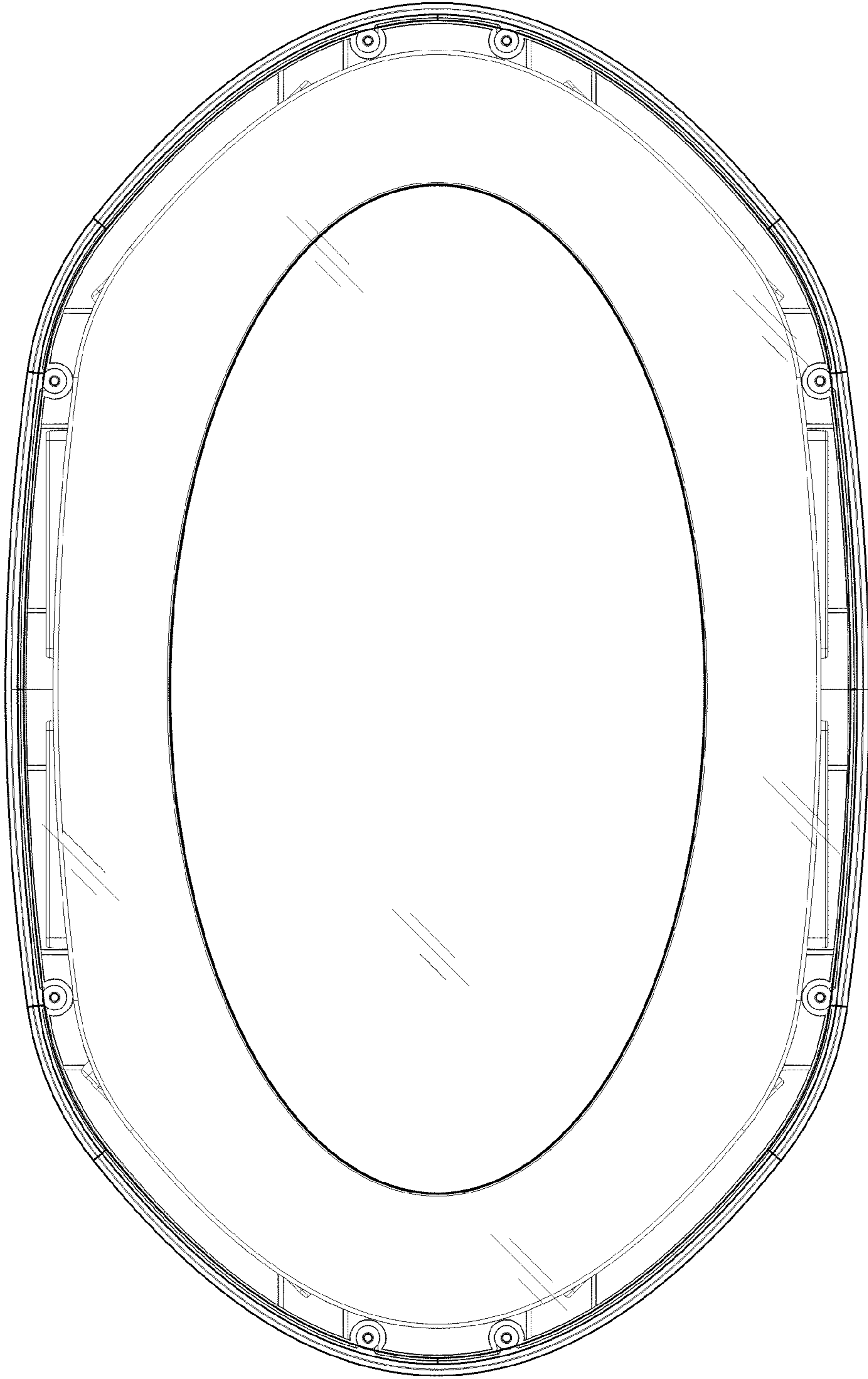


FIG. 4

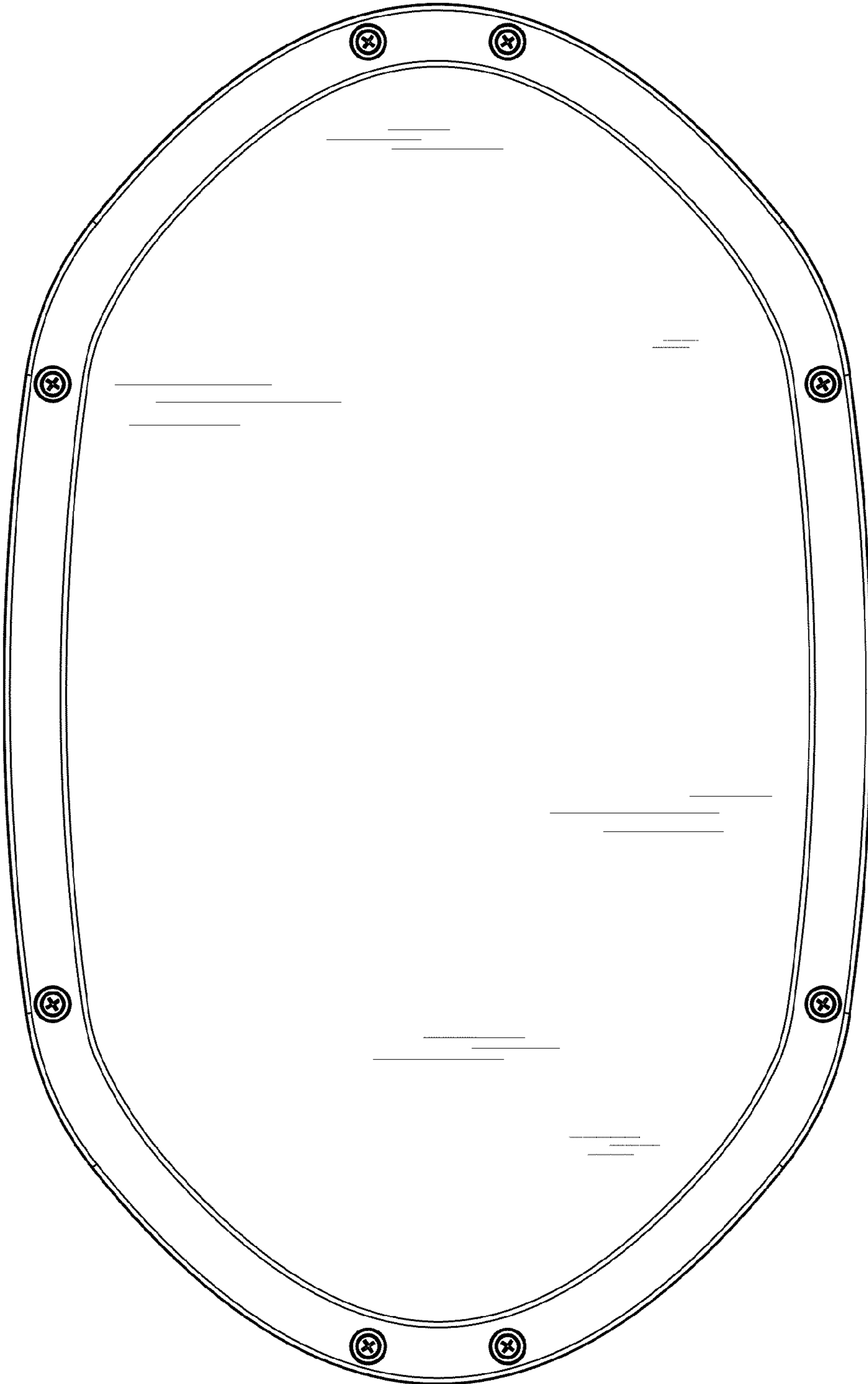


FIG. 5