



US00D647412S

(12) **United States Design Patent**
Rha

(10) **Patent No.:** **US D647,412 S**

(45) **Date of Patent:** **** Oct. 25, 2011**

(54) **BIOCHEMICAL ANALYZER**

73/865.5; 134/26, 27, 22.11, 24, 21, 169 R;
377/10, 37, 53; 430/137.14

(75) Inventor: **Kwan Goo Rha**, Gyeonggi-Do (KR)

See application file for complete search history.

(73) Assignee: **Micobiomed. Co. Ltd.** (KR)

(56) **References Cited**

(**) Term: **14 Years**

U.S. PATENT DOCUMENTS

(21) Appl. No.: **29/375,621**

D607,105 S * 12/2009 Otoha et al. D10/81

(22) Filed: **Sep. 24, 2010**

* cited by examiner

(30) **Foreign Application Priority Data**

May 28, 2010 (KR) 30-2010-0023592

Primary Examiner — Antoine D Davis

(51) **LOC (9) Cl.** **10-04**

(74) *Attorney, Agent, or Firm* — St. Onge Steward Johnston & Reens LLC

(52) **U.S. Cl.** **D10/81**

(57) **CLAIM**

The ornamental design for a biochemical analyzer, as shown and described.

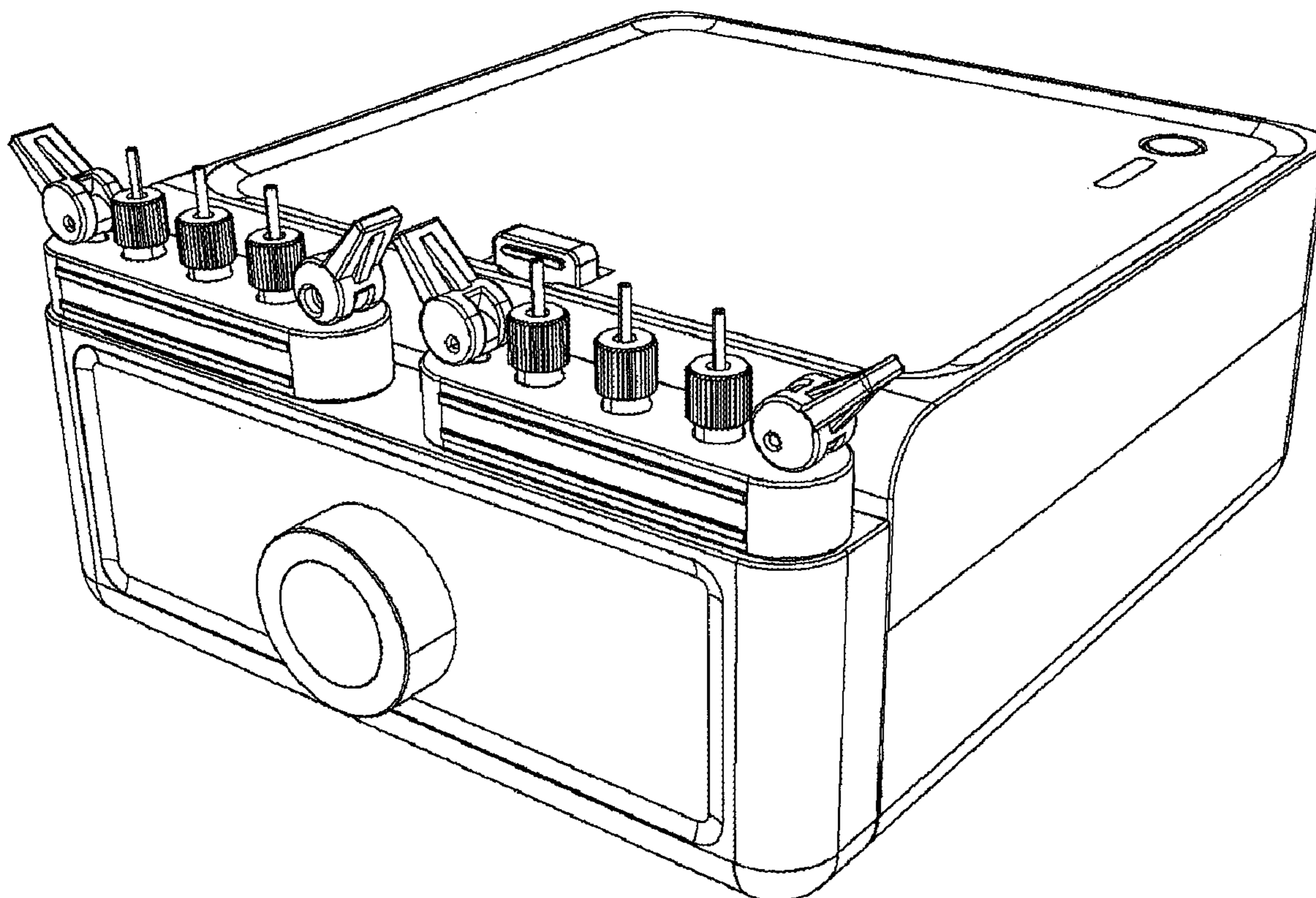
(58) **Field of Classification Search** D10/78,

DESCRIPTION

D10/81, 94; D24/216, 232, 234, 186, 233;
702/32, 19; 600/300; 455/569.2; 324/72.5,
324/110, 114, 115, 149, 151 A, 158 F, 156,
324/556, 133, 503, 543, 555, 66, 72, 754;
340/653, 660, 635; 439/482; 422/63-83,
422/99, 100, 58, 61, 82.05; 423/43; 436/164,
436/166, 169, 605, 46, 47, 49, 179, 180;
356/246, 28.5, 335, 336, 340, 410, 417; 362/119;
435/14, 283.1, 287.1, 4, 970; 73/864.12,

FIG. 1 is a front perspective view of a biochemical analyzer in accordance with the new design;
FIG. 2 is a front elevation view thereof;
FIG. 3 is a rear elevation view thereof;
FIG. 4 is a right side elevation view thereof;
FIG. 5 is a left side elevation view thereof;
FIG. 6 is a top plan view thereof; and,
FIG. 7 is a bottom plan view thereof.

1 Claim, 7 Drawing Sheets



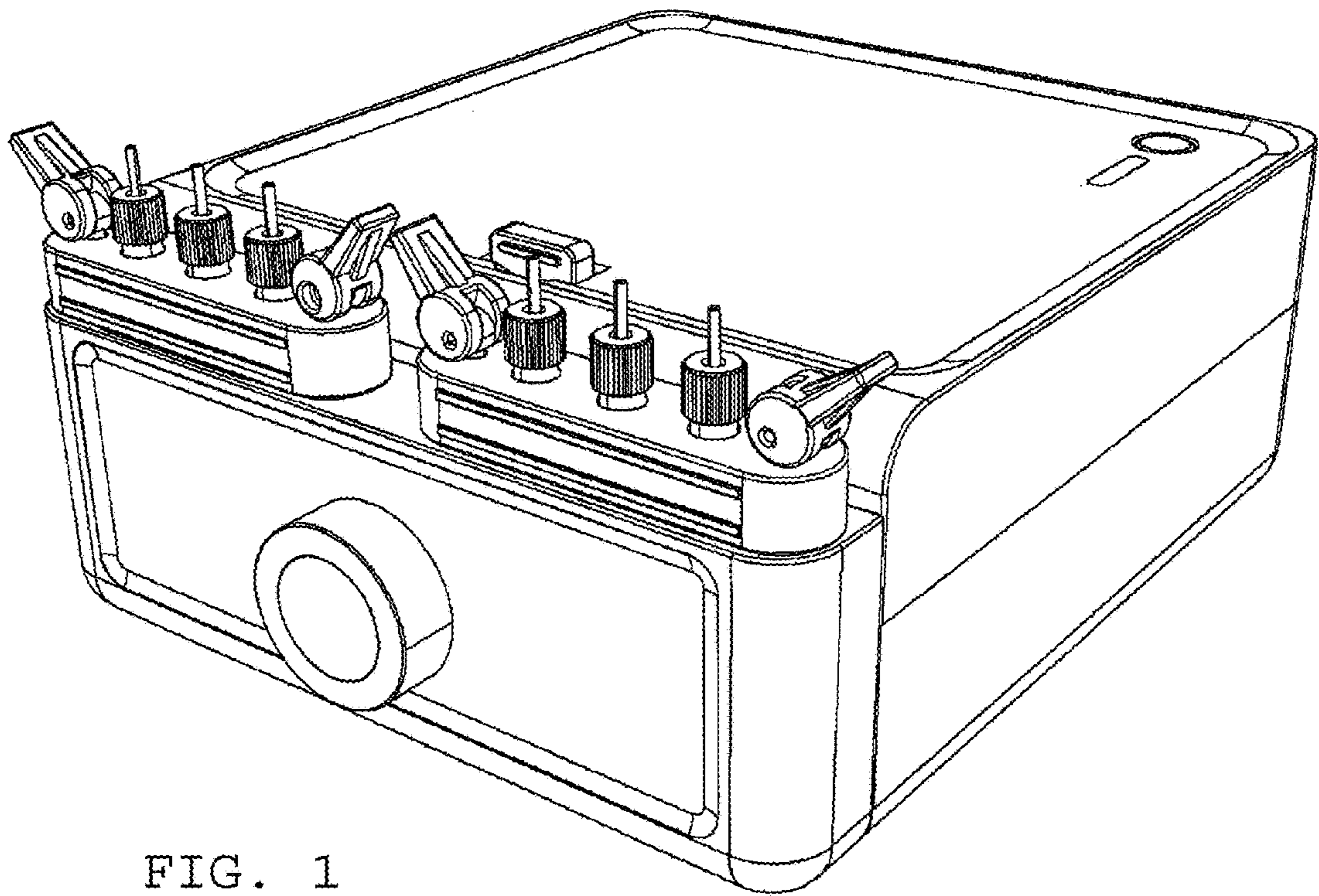


FIG. 1

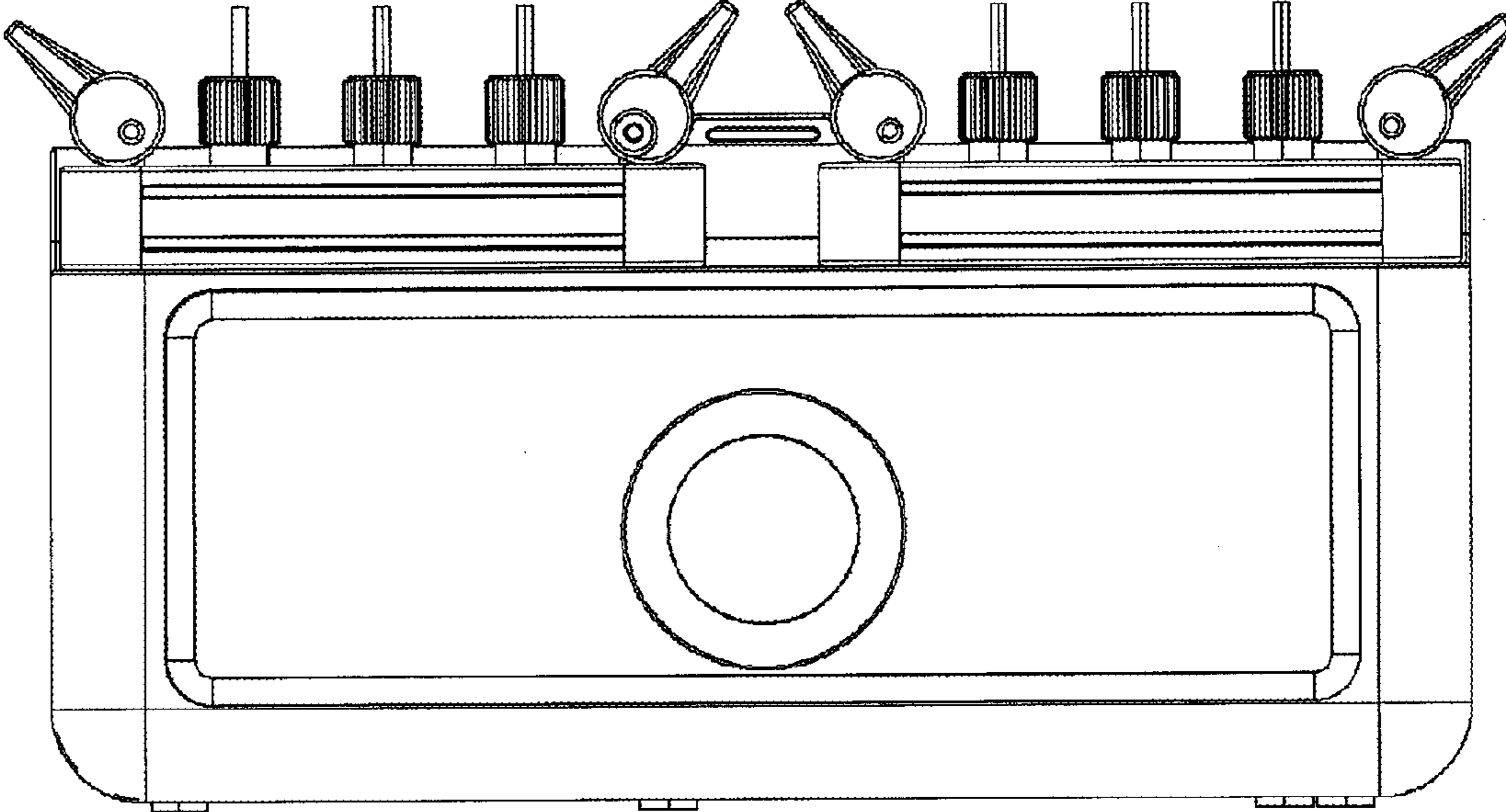


FIG. 2

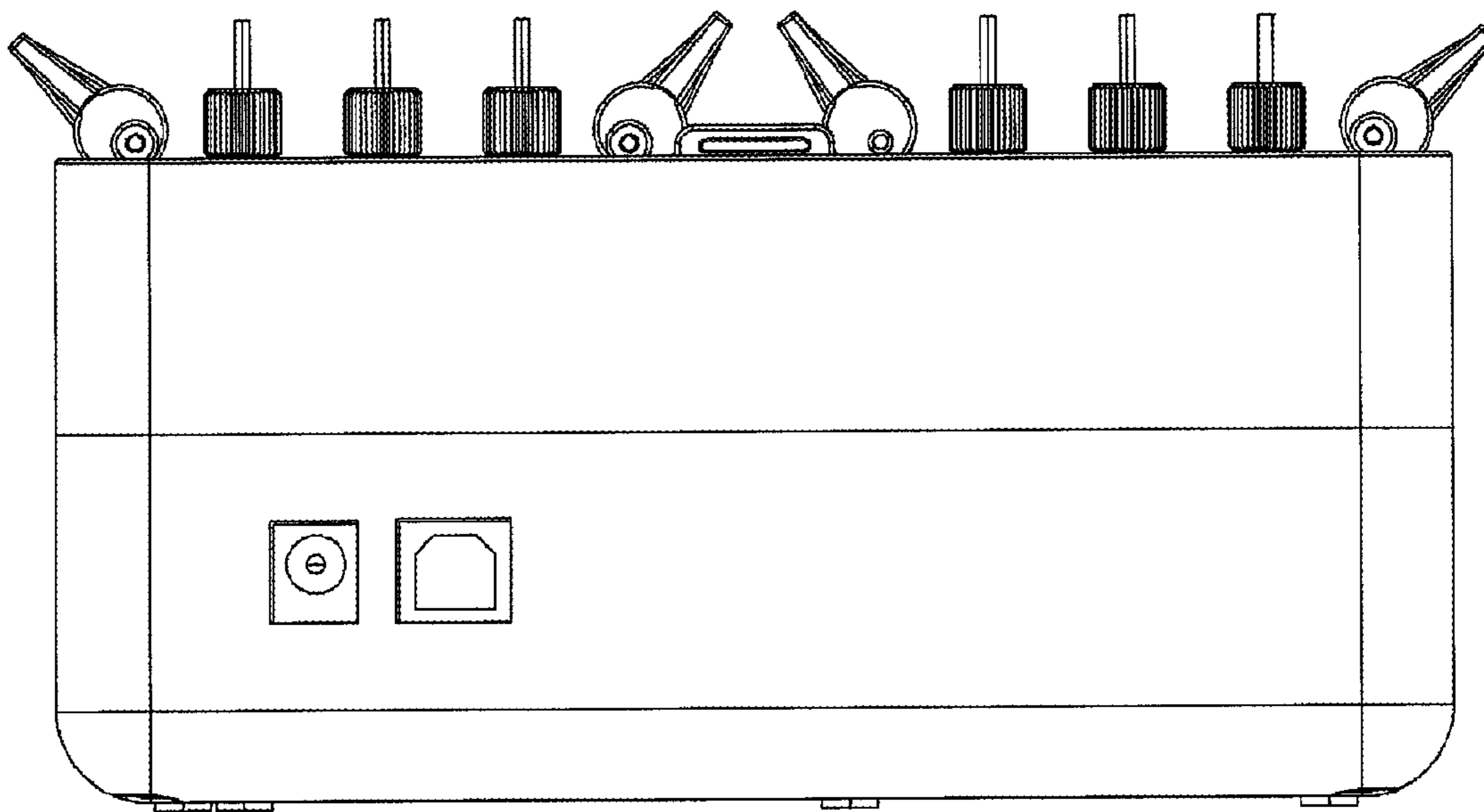


FIG. 3

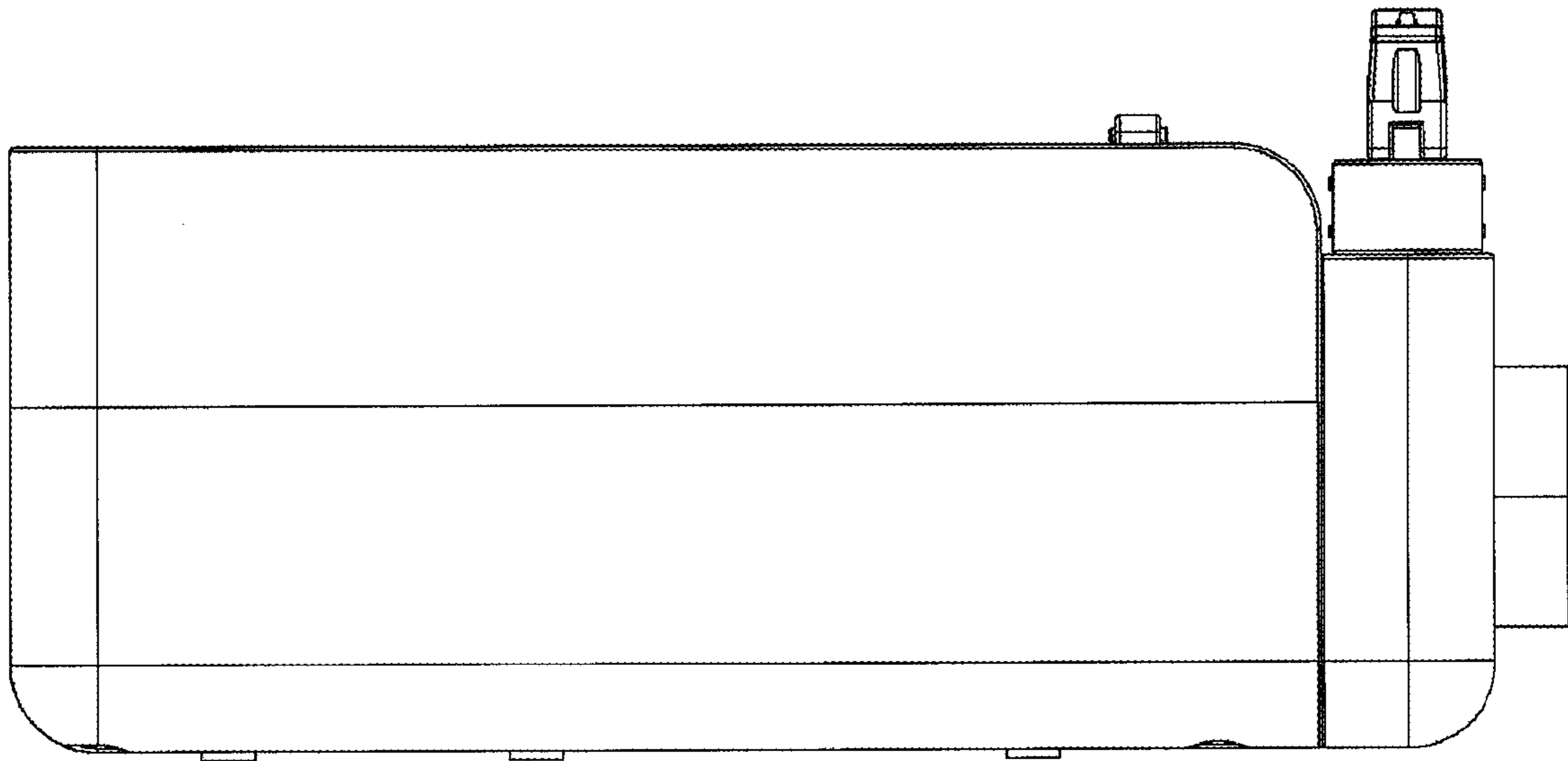


FIG. 4

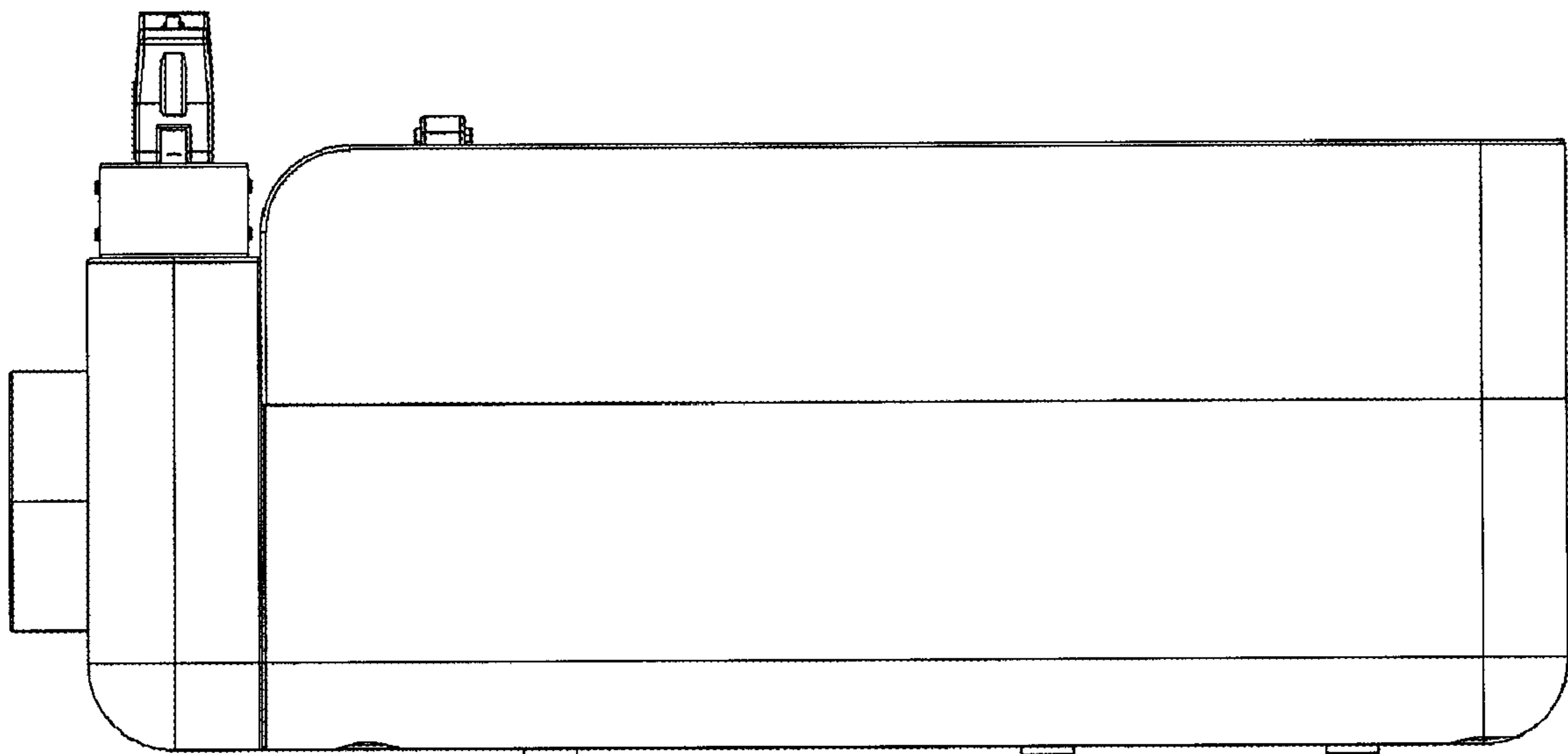


FIG. 5

FIG. 6

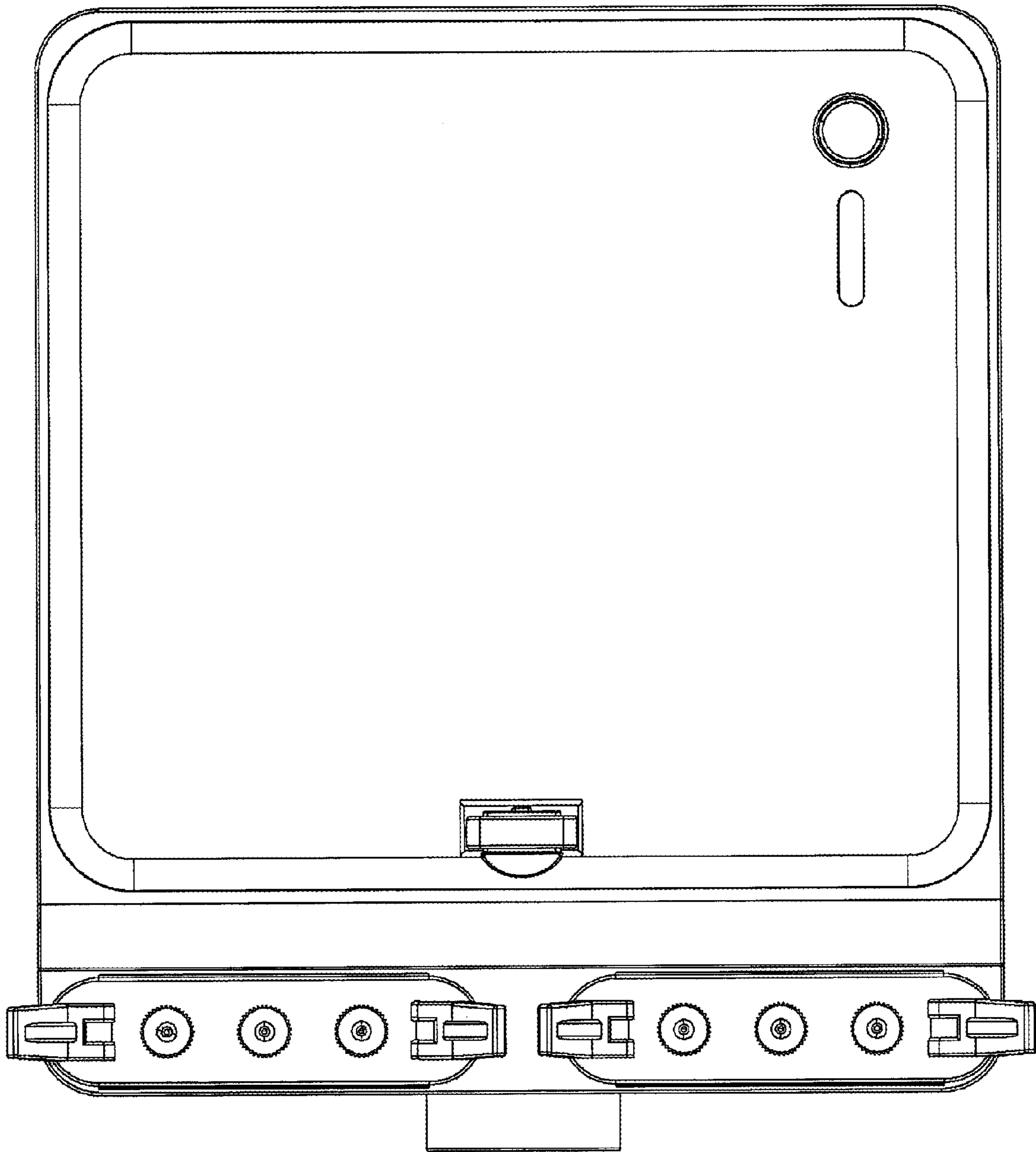


FIG. 7

