



US00D647411S

(12) **United States Design Patent**  
**Barton et al.**

(10) **Patent No.:** **US D647,411 S**

(45) **Date of Patent:** **\*\* \*Oct. 25, 2011**

(54) **WATER TIMER**

(75) Inventors: **Richard J. Barton**, Vail, AZ (US);  
**Mark Keller**, Tucson, AZ (US); **Steve**  
**Haeske**, Allendale, MI (US)

(73) Assignee: **Rain Bird Corporation**, Azusa, CA  
(US)

(\*\*) Term: **14 Years**

(21) Appl. No.: **29/383,126**

(22) Filed: **Jan. 12, 2011**

(51) **LOC (9) Cl.** ..... **10-03**

(52) **U.S. Cl.** ..... **D10/40**

(58) **Field of Classification Search** ..... D10/40;  
239/68, 69, 70; 137/624.11, 624.12, 624.21,  
137/624.22, 624.18; D23/245  
See application file for complete search history.

(56) **References Cited**

U.S. PATENT DOCUMENTS

3,912,167	A	10/1975	Simon	
4,004,258	A	1/1977	Arnold	
4,108,419	A	8/1978	Sturman et al.	
4,130,135	A	12/1978	Moore	
4,280,530	A	7/1981	Yi	
4,526,198	A	7/1985	Scott	
D281,808	S *	12/1985	Lemkin et al.	D23/245
4,592,505	A *	6/1986	Bruninga et al.	239/69
4,633,905	A	1/1987	Wang	
4,708,264	A *	11/1987	Bruninga	222/20
4,722,478	A *	2/1988	Fletcher et al.	239/69
D295,779	S	5/1988	Bruninga et al.	
D295,890	S	5/1988	Bruninga et al.	
4,744,515	A	5/1988	Watanabe	
D298,962	S *	12/1988	Bruninga	D23/245
4,797,820	A	1/1989	Wilson et al.	
4,807,664	A *	2/1989	Wilson et al.	137/624.11
4,858,827	A *	8/1989	Fletcher et al.	239/69
D304,224	S	10/1989	Wilson et al.	
4,873,650	A	10/1989	Reeves, Jr.	

4,921,001	A	5/1990	Pittsinger	
5,101,859	A	4/1992	Roman	
5,135,168	A	8/1992	Wang	
5,262,936	A	11/1993	Faris et al.	
5,402,812	A *	4/1995	Moineau et al.	137/1
5,470,043	A	11/1995	Marts et al.	
D365,771	S *	1/1996	Clivio	D10/96
D386,985	S *	12/1997	Cameron	D10/40
5,826,619	A *	10/1998	Roman	137/624.11
5,915,665	A	6/1999	Pease et al.	
5,960,813	A	10/1999	Sturman et al.	

(Continued)

OTHER PUBLICATIONS

2006 Orbit SunMate Installation and User's Guide, pp. 1-2.

(Continued)

*Primary Examiner* — Lucy Lieberman

(74) *Attorney, Agent, or Firm* — Fitch, Even, Tabin & Flannery

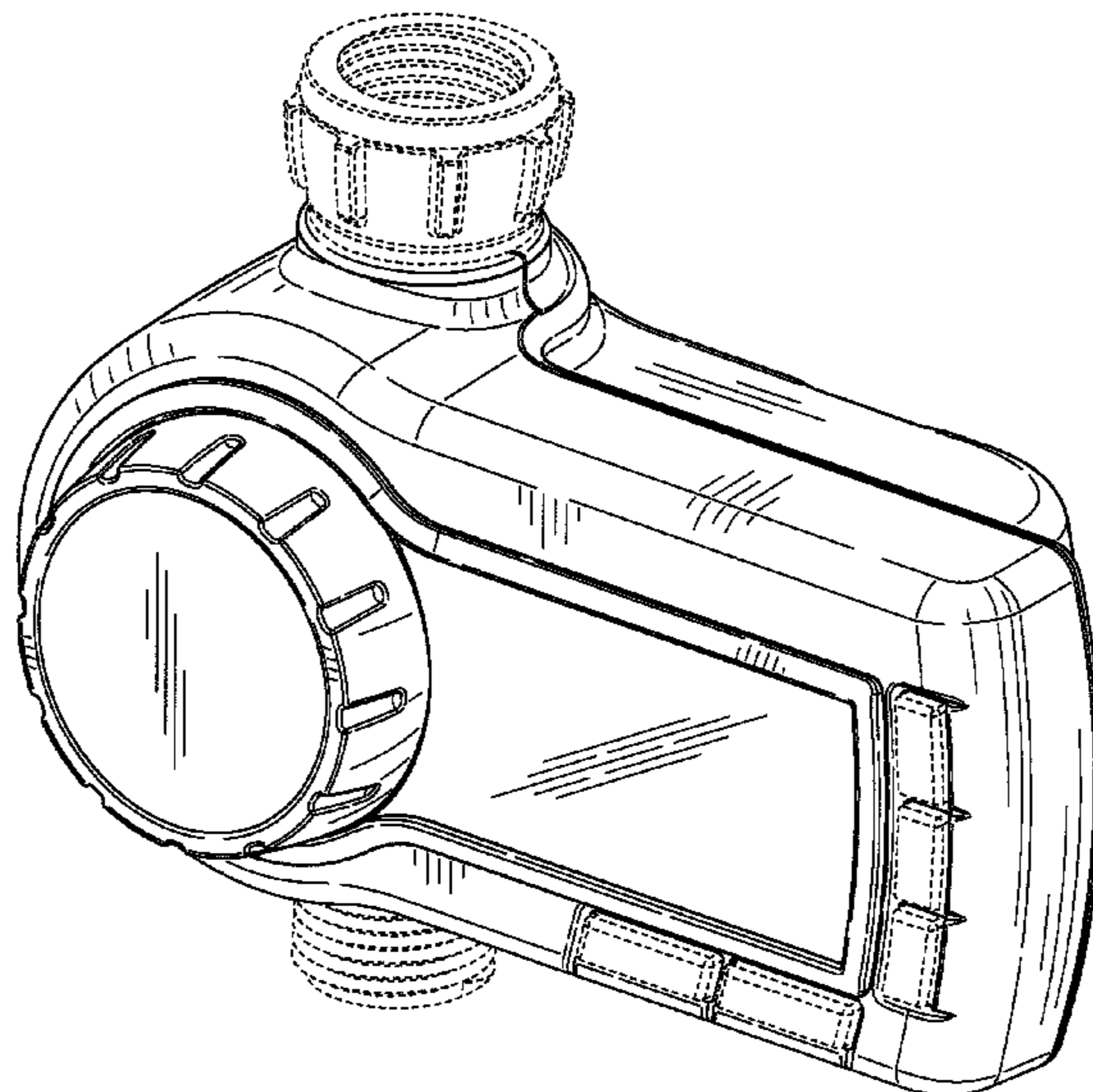
(57) **CLAIM**

We claim the ornamental design for a water timer, as shown and described.

**DESCRIPTION**

FIG. 1 is a top, front and right side perspective view of a water timer showing our new design; FIG. 2 is a front elevational view of the water timer of FIG. 1; FIG. 3 is a left side elevational view of the water timer of FIG. 1; FIG. 4 is a right side elevational view of the water timer of FIG. 1; FIG. 5 is a rear elevational view of the water timer of FIG. 1; FIG. 6 is a top view of the water timer of FIG. 1; and, FIG. 7 is a bottom view of the water timer of FIG. 1. The broken lines in the foregoing drawings are for the purpose of illustration and form no part of the claimed design.

**1 Claim, 7 Drawing Sheets**



# US D647,411 S

Page 2

## U.S. PATENT DOCUMENTS

6,053,416 A 4/2000 Specht et al.  
D430,044 S \* 8/2000 Clivio ..... D10/40  
D431,195 S \* 9/2000 Clivio ..... D10/40  
6,257,264 B1 7/2001 Sturman et al.  
6,283,139 B1 \* 9/2001 Symonds et al. .... 137/78.3  
D451,037 S \* 11/2001 Jacobs et al. .... D10/40  
D451,411 S \* 12/2001 Jacobs et al. .... D10/40  
D451,412 S \* 12/2001 Jacobs et al. .... D10/40  
6,337,635 B1 1/2002 Ericksen et al.  
6,397,888 B1 \* 6/2002 Wang ..... 137/624.12  
6,460,563 B2 10/2002 Olson et al.  
D467,187 S \* 12/2002 Clivio ..... D10/40  
6,547,211 B2 4/2003 Roman  
D477,287 S 7/2003 Roman  
D485,502 S \* 1/2004 Clivio ..... D10/40  
6,694,223 B1 2/2004 Goldberg et al.  
6,719,010 B1 4/2004 Chang  
6,749,136 B1 6/2004 Wilson et al.  
6,827,288 B2 12/2004 Noelke  
6,955,333 B2 10/2005 Patterson et al.  
6,986,364 B1 \* 1/2006 Wang ..... 137/624.11  
6,989,364 B1 1/2006 Jin et al.  
7,121,477 B1 10/2006 Noelke  
7,203,576 B1 4/2007 Wilson et al.  
7,252,113 B2 \* 8/2007 Jacobs et al. .... 137/624.11  
7,286,904 B2 10/2007 Graham  
D559,708 S \* 1/2008 Michael et al. .... D10/40  
D567,680 S \* 4/2008 Michael et al. .... D10/40  
D567,681 S \* 4/2008 Michael et al. .... D10/40  
7,404,415 B2 \* 7/2008 Jacobs et al. .... 137/624.11  
D604,183 S \* 11/2009 Zore et al. .... D10/40

D604,184 S 11/2009 Leer et al.  
7,619,322 B2 11/2009 Gardner et al.  
7,735,513 B2 6/2010 Bush  
7,761,189 B2 7/2010 Froman et al.  
7,810,515 B2 \* 10/2010 Nies et al. .... 137/78.3  
2005/0060065 A1 3/2005 King-Yuan  
2005/0082503 A1 4/2005 Patterson et al.  
2005/0167625 A1 8/2005 Deen  
2005/0199842 A1 9/2005 Parsons et al.  
2008/0251601 A1 10/2008 Nies et al.  
2008/0255708 A1 \* 10/2008 Nies et al. .... 700/284  
2009/0001193 A1 1/2009 Parsons et al.  
2009/0008472 A1 1/2009 Wilson  
2009/0025807 A1 1/2009 August et al.  
2009/0126801 A1 5/2009 Grill et al.  
2009/0179165 A1 7/2009 Parsons et al.  
2010/0163126 A1 7/2010 Leer et al.  
2010/0198418 A1 8/2010 Williams et al.  
2010/0230510 A1 9/2010 Wilson  
2011/0118881 A1 5/2011 Tai

## OTHER PUBLICATIONS

2006 User's Manual: Sprinkler timers by Orbit, pp. 1-19, 52 and 53.  
2007 Installation manual/ User's Manual: Sprinkler Timers by Orbit, pp. 1-22.  
2007 Orbit Battery Operated Sprinkler Timer with Inline Valve User manual, pp. 1-8.  
2007 Orbit Installation Manual/ User's Manual, pp. 1-2.  
2007 Orbit ST2-RF Sprinkler Timer Manual, pp. 1-19.  
2007 Orbit Touch-Screen Timer Manual, pp. 1-16.

\* cited by examiner

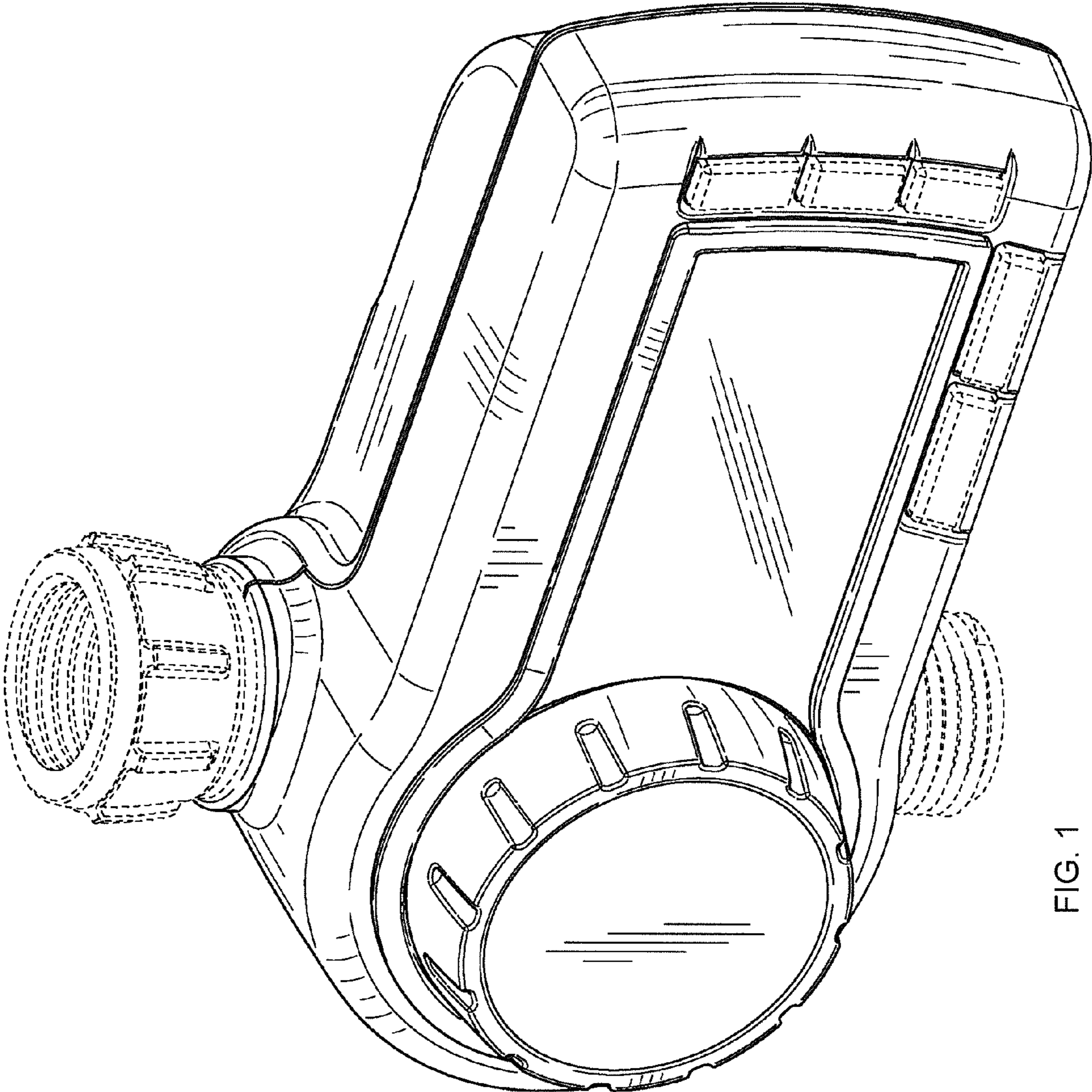


FIG. 1

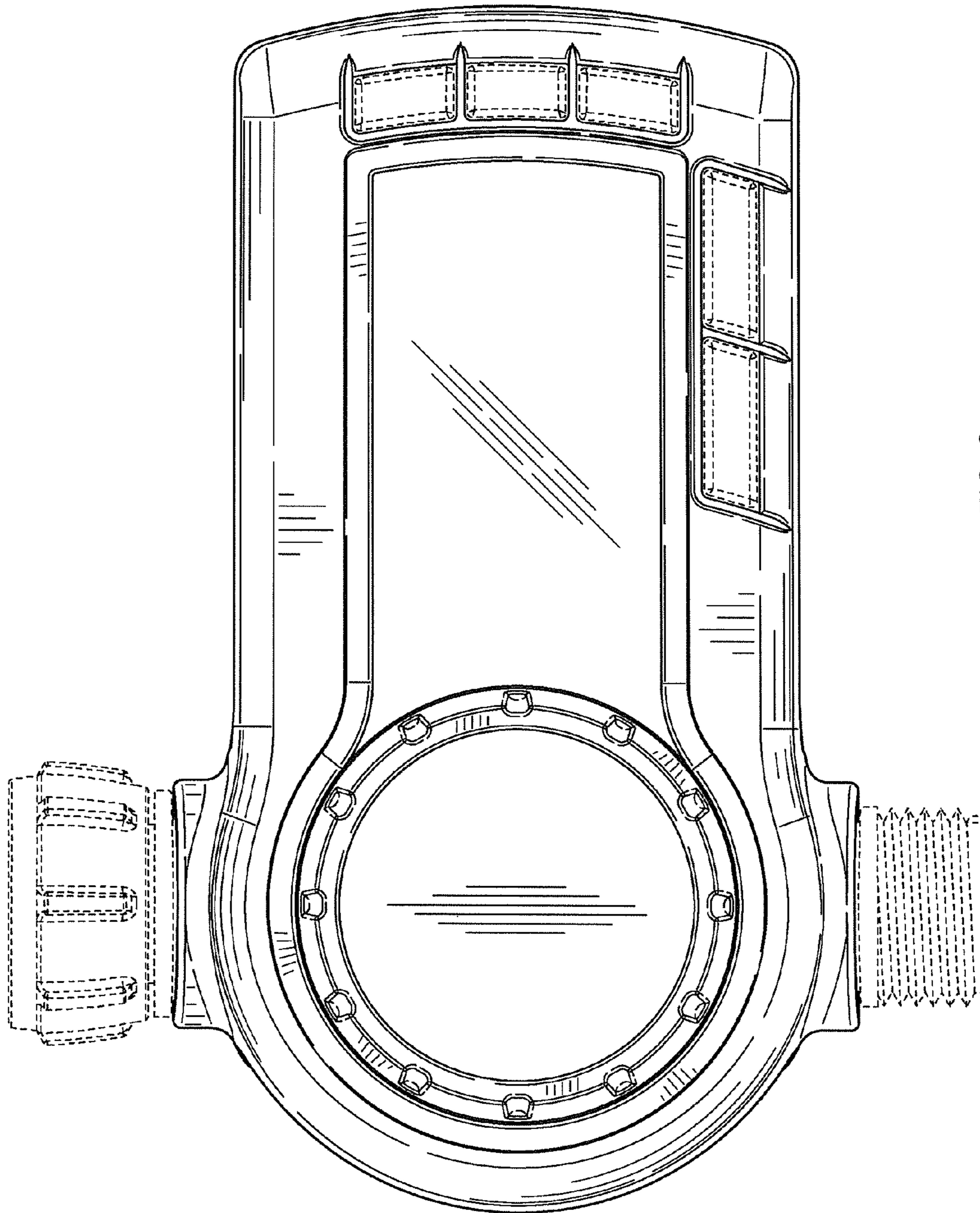


FIG. 2

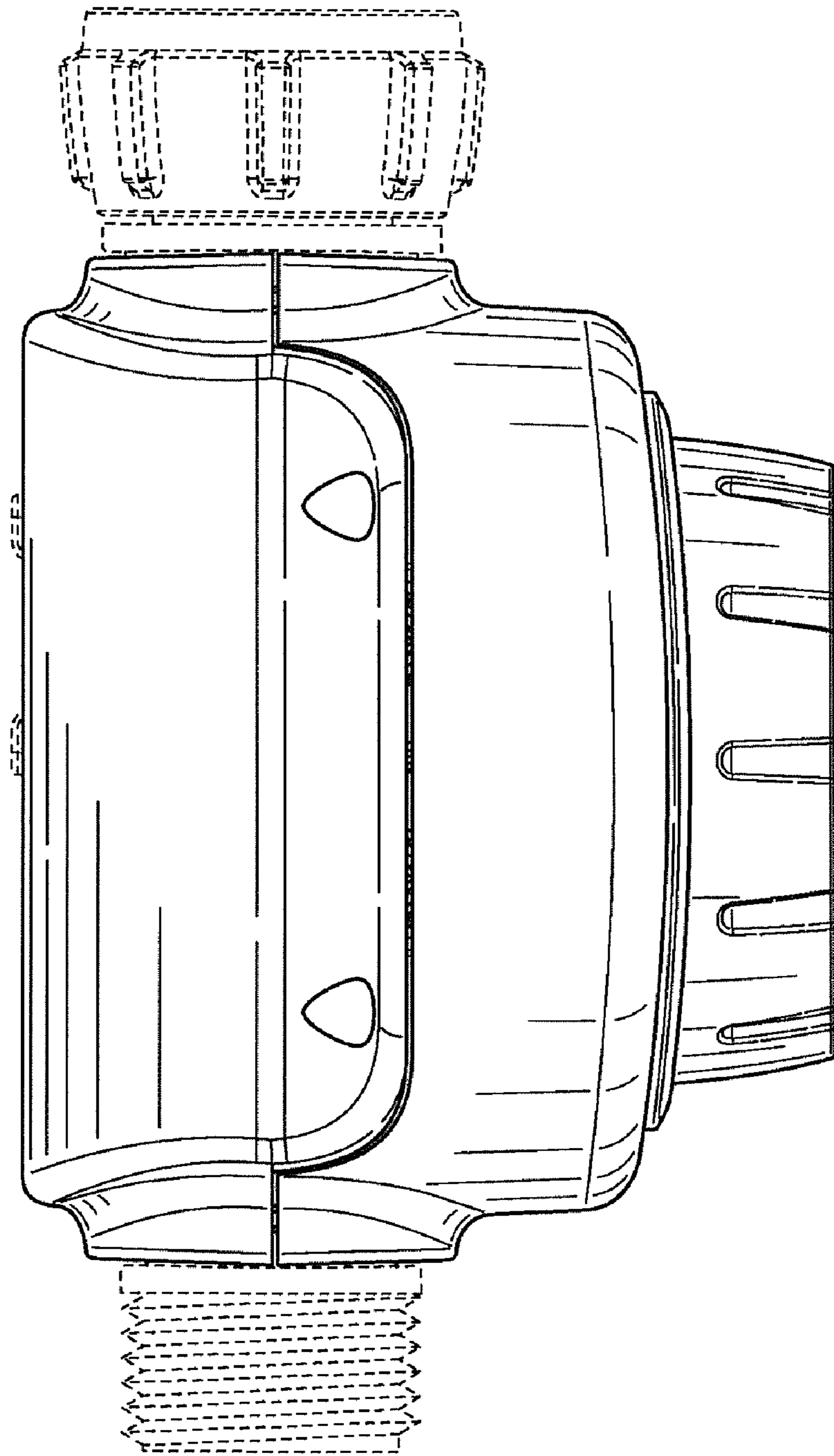


FIG. 3

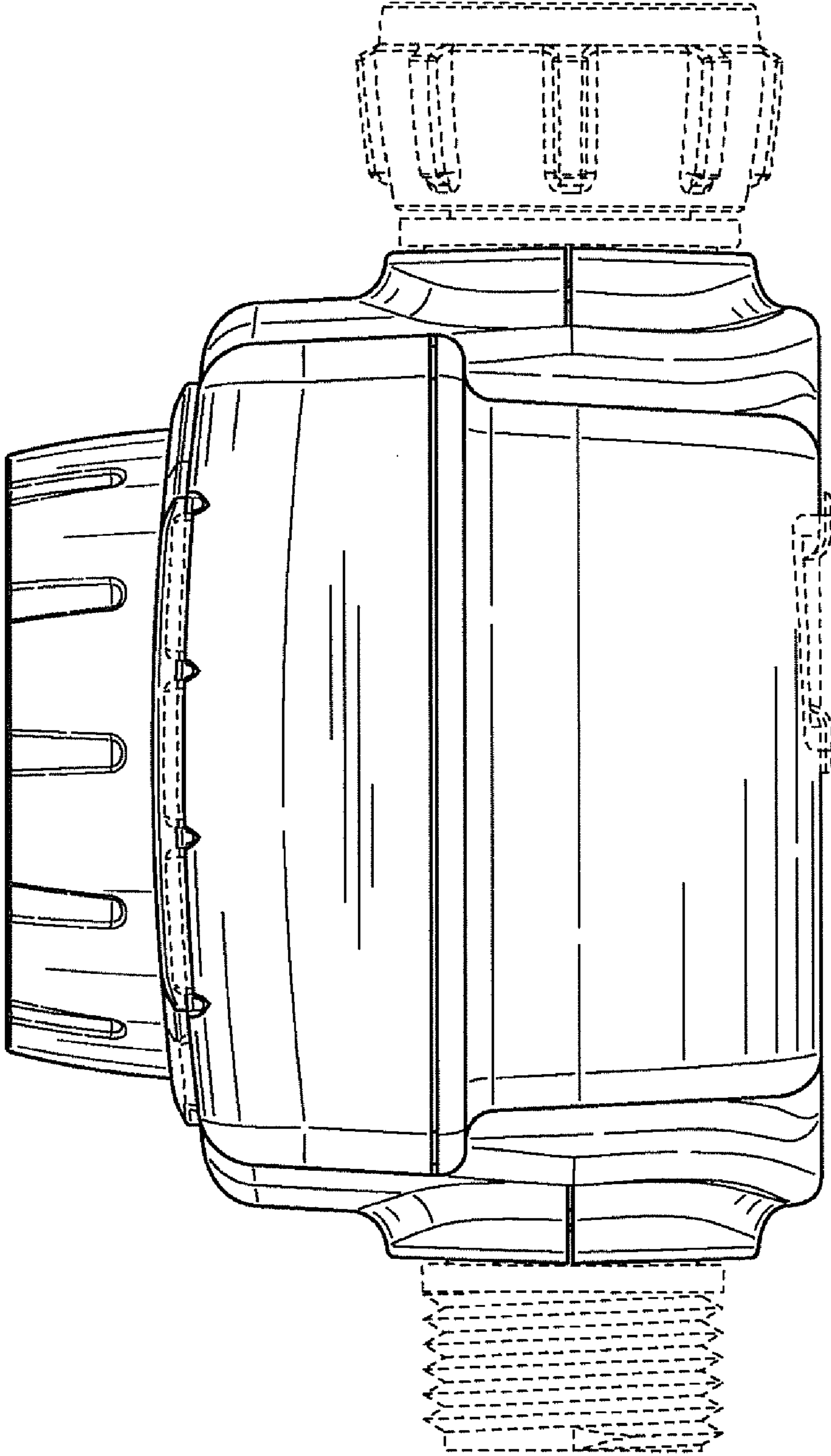


FIG. 4

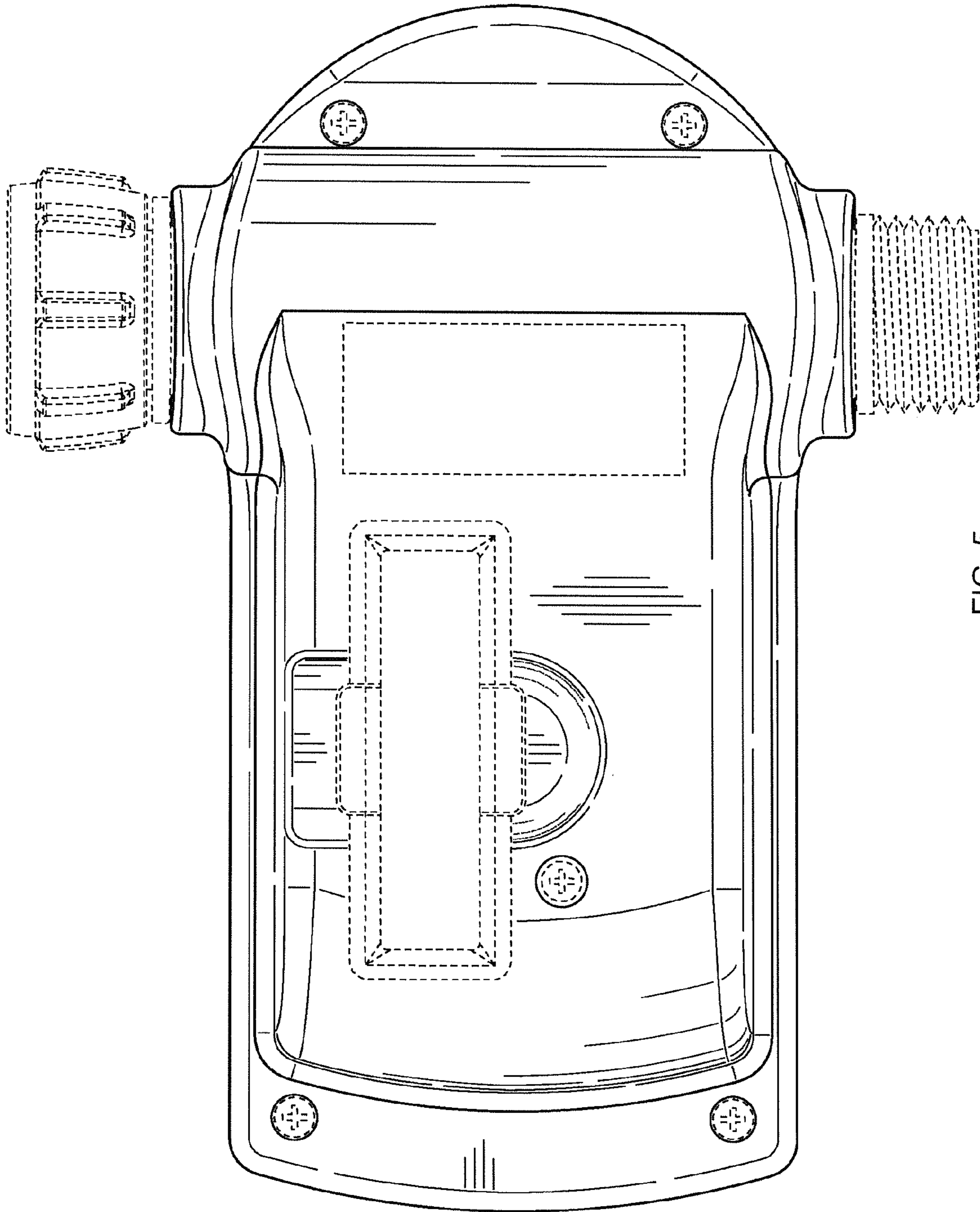


FIG. 5

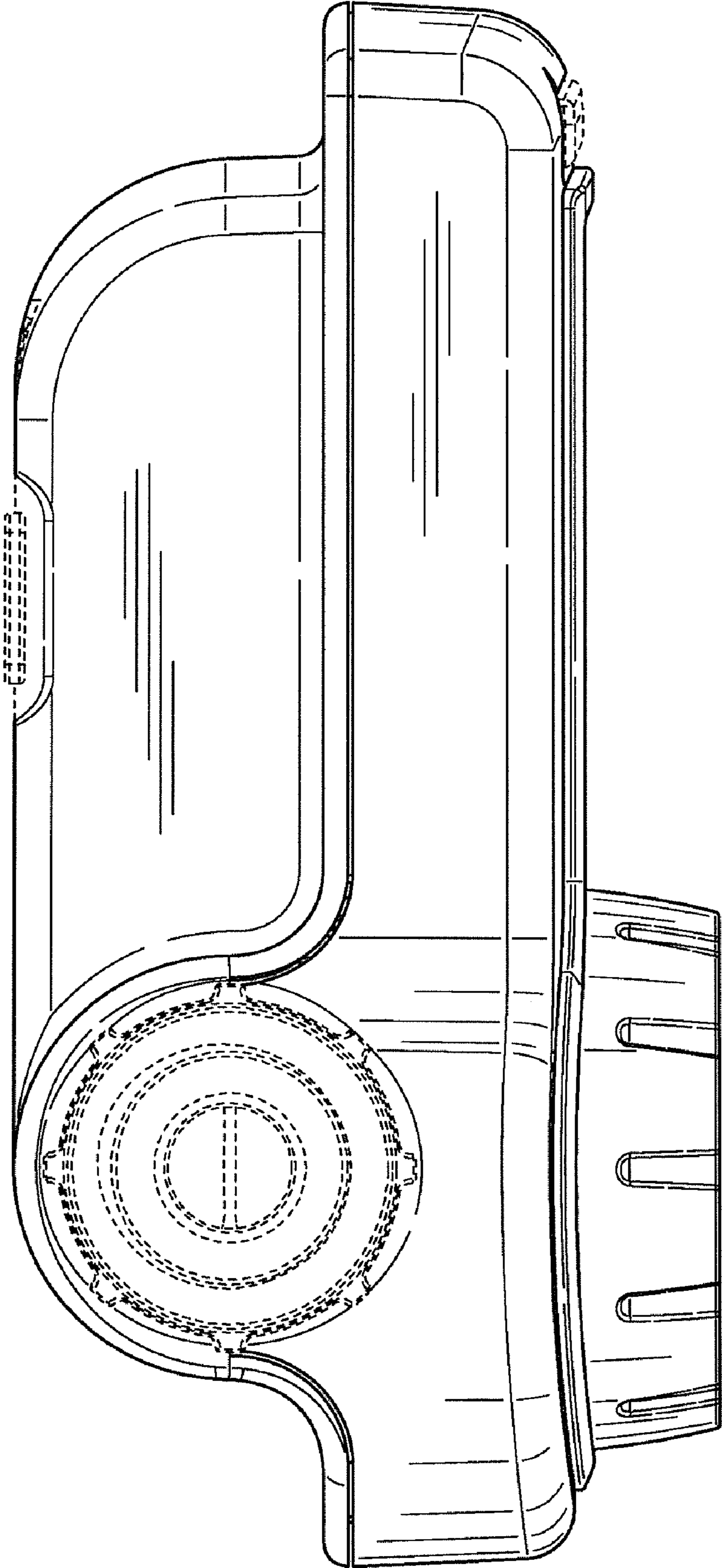


FIG. 6



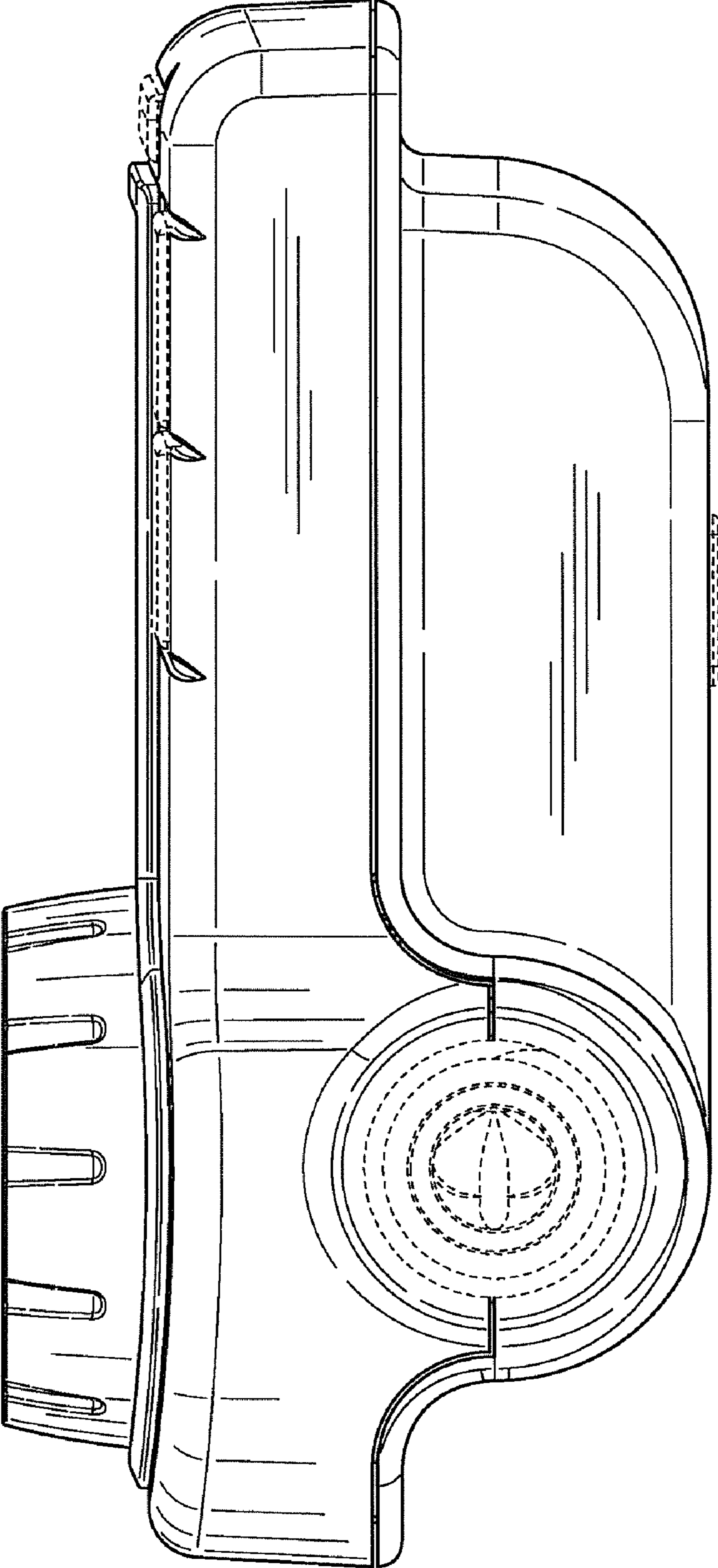


FIG. 7