

US00D647409S

(12) **United States Design Patent**
Bulsink et al.

(10) **Patent No.:** **US D647,409 S**

(45) **Date of Patent:** **** Oct. 25, 2011**

- (54) **COMBINED CLOCK AND STAND**
- (75) Inventors: **Bernard Johan Bulsink**, Enschede (NL); **Albert Vasse**, Enschede (NL)
- (73) Assignee: **DGT Holding B.V.**, Enschede (NL)
- (**) Term: **14 Years**
- (21) Appl. No.: **29/393,118**
- (22) Filed: **May 31, 2011**

- D318,622 S * 7/1991 Wada D10/15
- D321,484 S * 11/1991 Yu D10/21
- D321,832 S * 11/1991 Chen D10/14
- D327,223 S * 6/1992 Kawashima et al. D10/15
- D328,298 S * 7/1992 Chan D14/189
- D345,308 S * 3/1994 Kanai D10/26
- D345,699 S * 4/1994 Yang D10/21
- D364,095 S * 11/1995 Mak D10/21
- D365,762 S * 1/1996 Mateer D10/6
- D376,600 S * 12/1996 Vallillee et al. D14/240
- D498,147 S * 11/2004 Hampf et al. D10/23
- D610,471 S * 2/2010 Parikh D10/6
- D628,091 S * 11/2010 Bulsink et al. D10/14

* cited by examiner

- (30) **Foreign Application Priority Data**
- Dec. 2, 2010 (EM) 001788415-0001
- (51) **LOC (9) Cl.** **10-01**
- (52) **U.S. Cl.** **D10/14; D10/15**
- (58) **Field of Classification Search** D10/1-29,
D10/128; 368/316, 317
See application file for complete search history.

Primary Examiner — Lucy Lieberman
(74) *Attorney, Agent, or Firm* — The Webb Law Firm

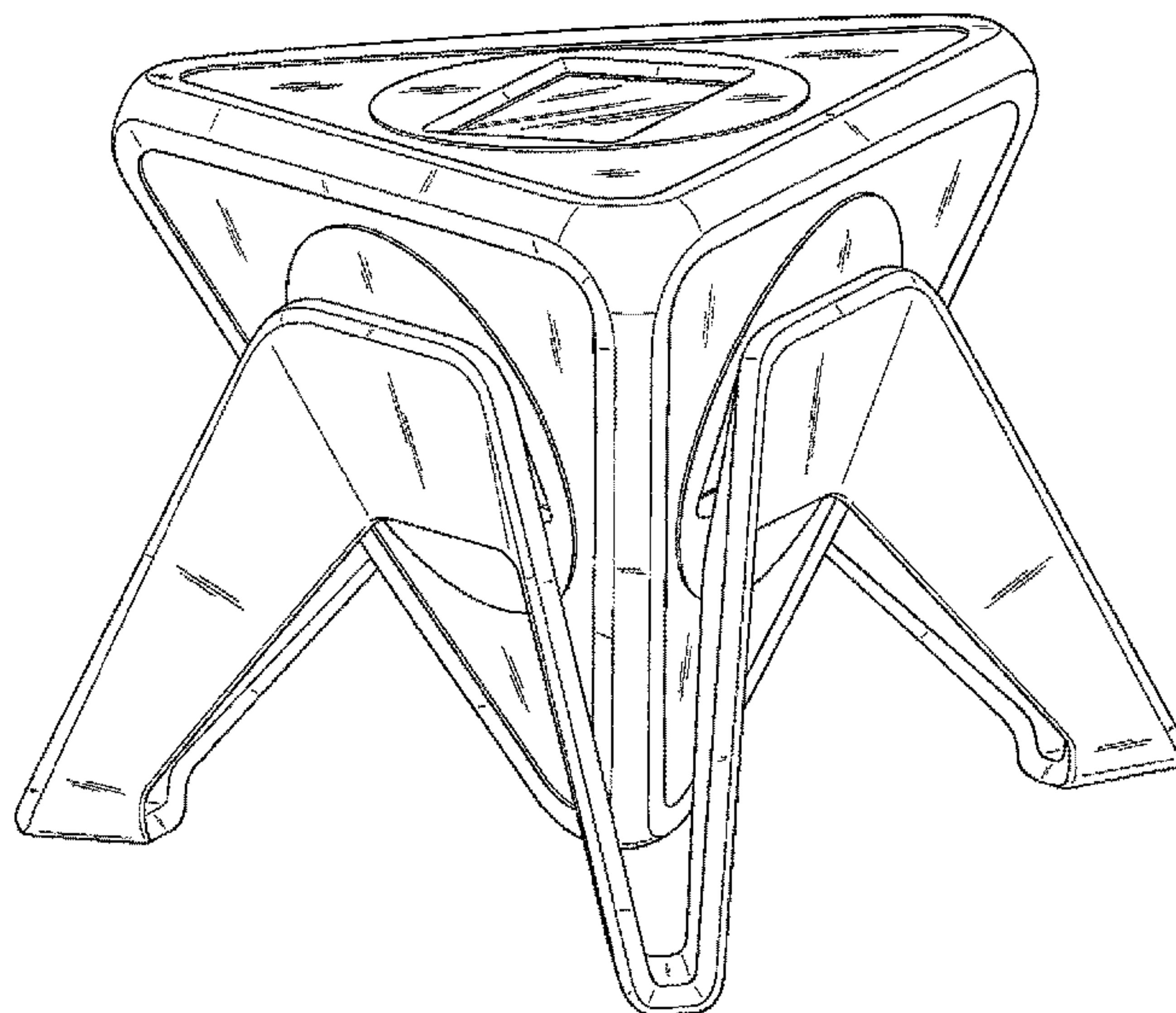
- (56) **References Cited**
- U.S. PATENT DOCUMENTS**
- D81,161 S * 5/1930 Simpson D10/128
- D94,186 S * 1/1935 Carlson D10/128
- D158,096 S * 4/1950 Kaufman D10/128
- D191,460 S * 10/1961 Ducommun D10/14
- D191,461 S * 10/1961 Ducommun D10/14
- D193,521 S * 9/1962 Ducommun D10/14
- 3,106,817 A * 10/1963 Ducommun 368/76
- D200,114 S * 1/1965 Trojnacki D10/14
- D250,174 S * 11/1978 Hedgecock D10/1
- 4,803,672 A * 2/1989 Zang 368/241
- 4,815,998 A * 3/1989 McGuire 446/8
- 4,858,209 A * 8/1989 Chaut 368/223
- D303,220 S * 9/1989 Nomura D10/21
- D304,161 S * 10/1989 Nomizu D10/21
- 4,888,748 A * 12/1989 Lagasse et al. 368/107
- D315,682 S * 3/1991 Lin D10/21

(57) **CLAIM**
The ornamental design for a combined clock and stand, as shown and described.

DESCRIPTION

FIG. 1 is a front perspective view of a combined clock and stand disposed on a stand in accordance with our new design; FIG. 2 is top plan view thereof with the combined clock and stand separated from the stand; FIG. 3 is a front side view thereof with the combined clock and stand separated from the stand; FIG. 4 is a bottom side view thereof with the combined clock and stand separated from the stand; FIG. 5 is a left side view thereof with the combined clock and stand separated from the stand (the right side view is a mirror image thereof); FIG. 6 is a rear side view thereof with the combined clock and stand separated from the stand; and, FIG. 7 is a front perspective view thereof with the combined clock and stand nested in the stand.

1 Claim, 7 Drawing Sheets



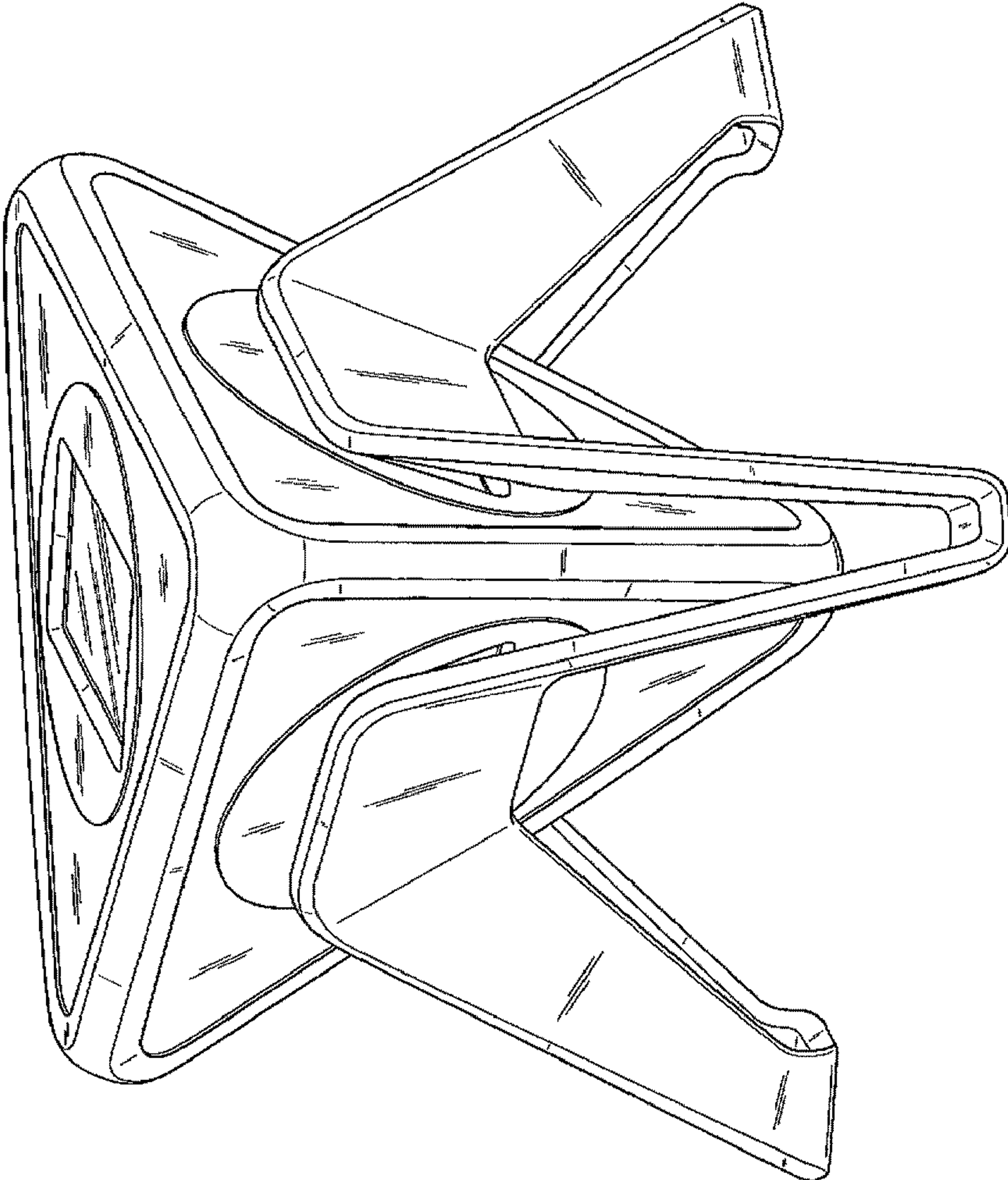


FIG. 1

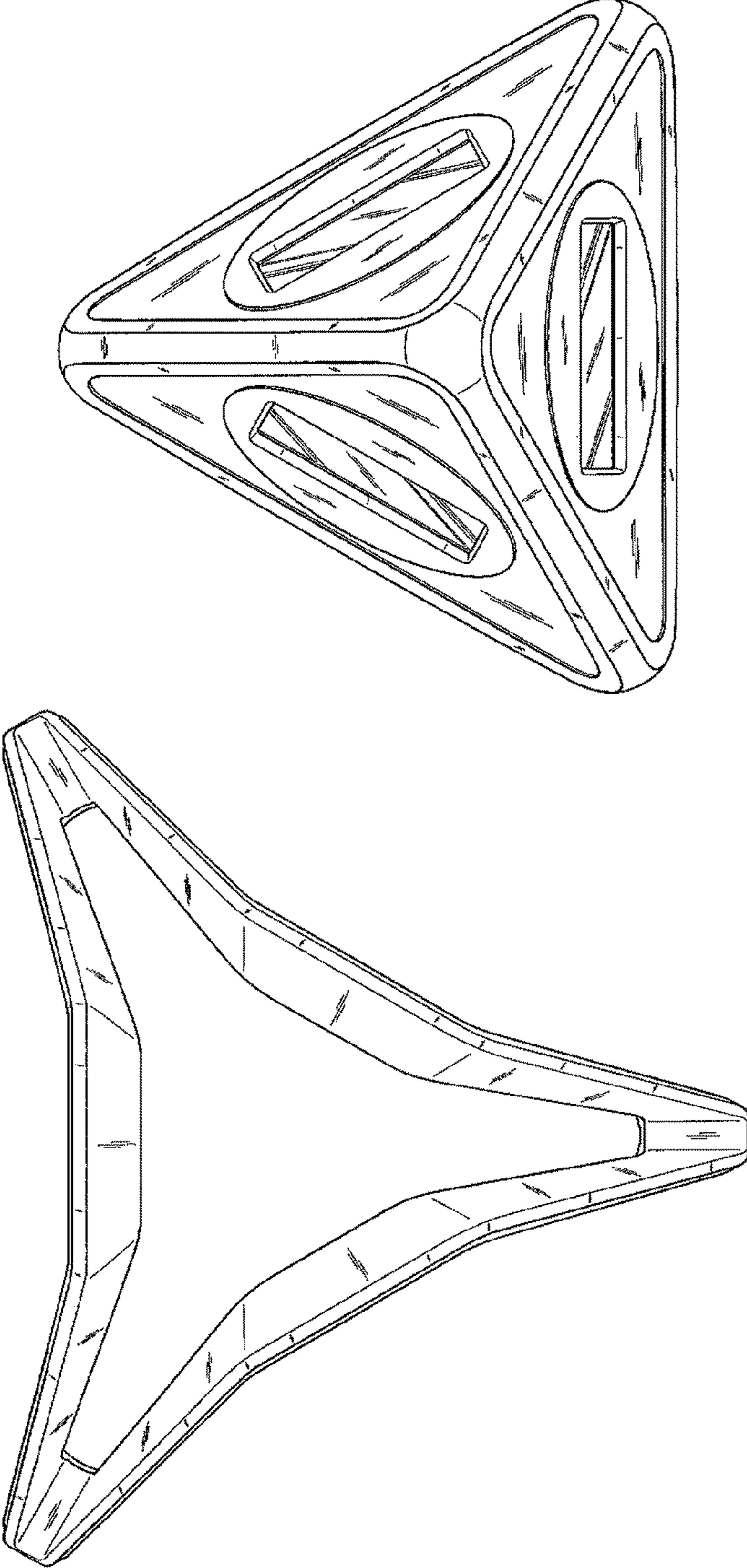


FIG. 2

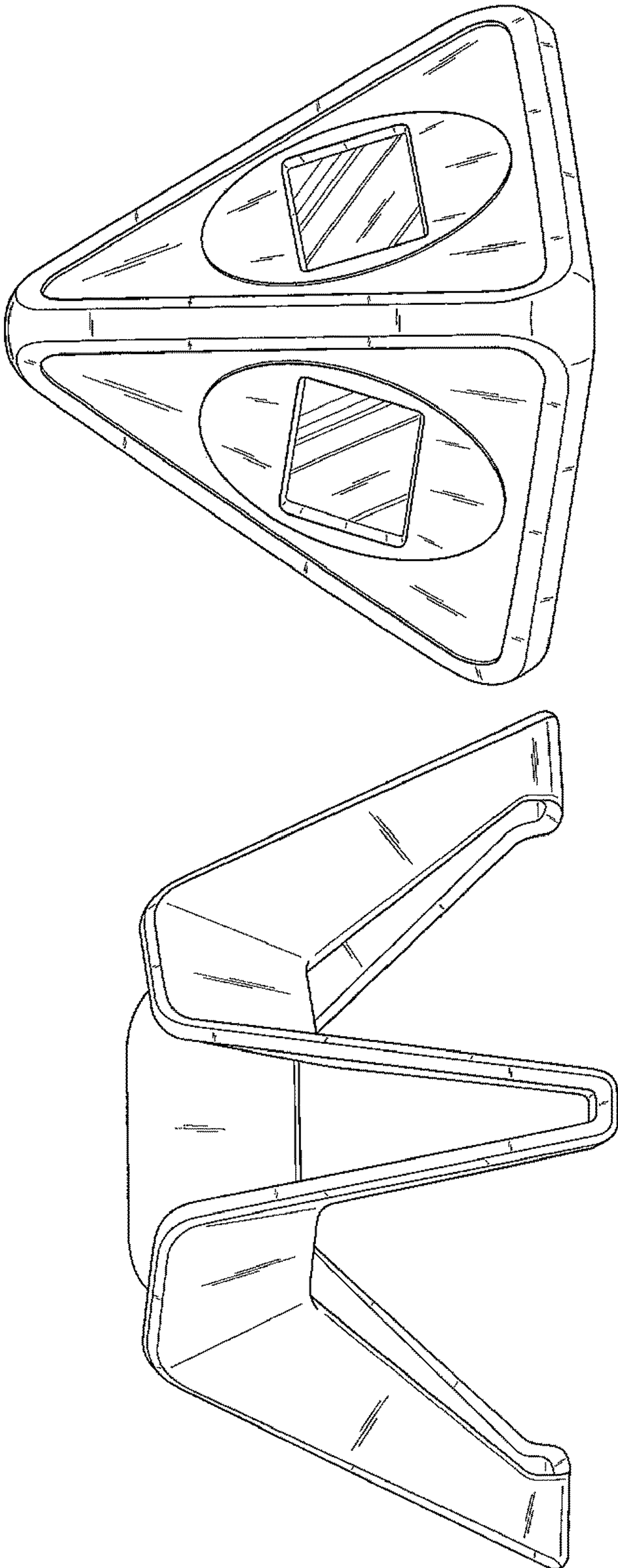


FIG. 3

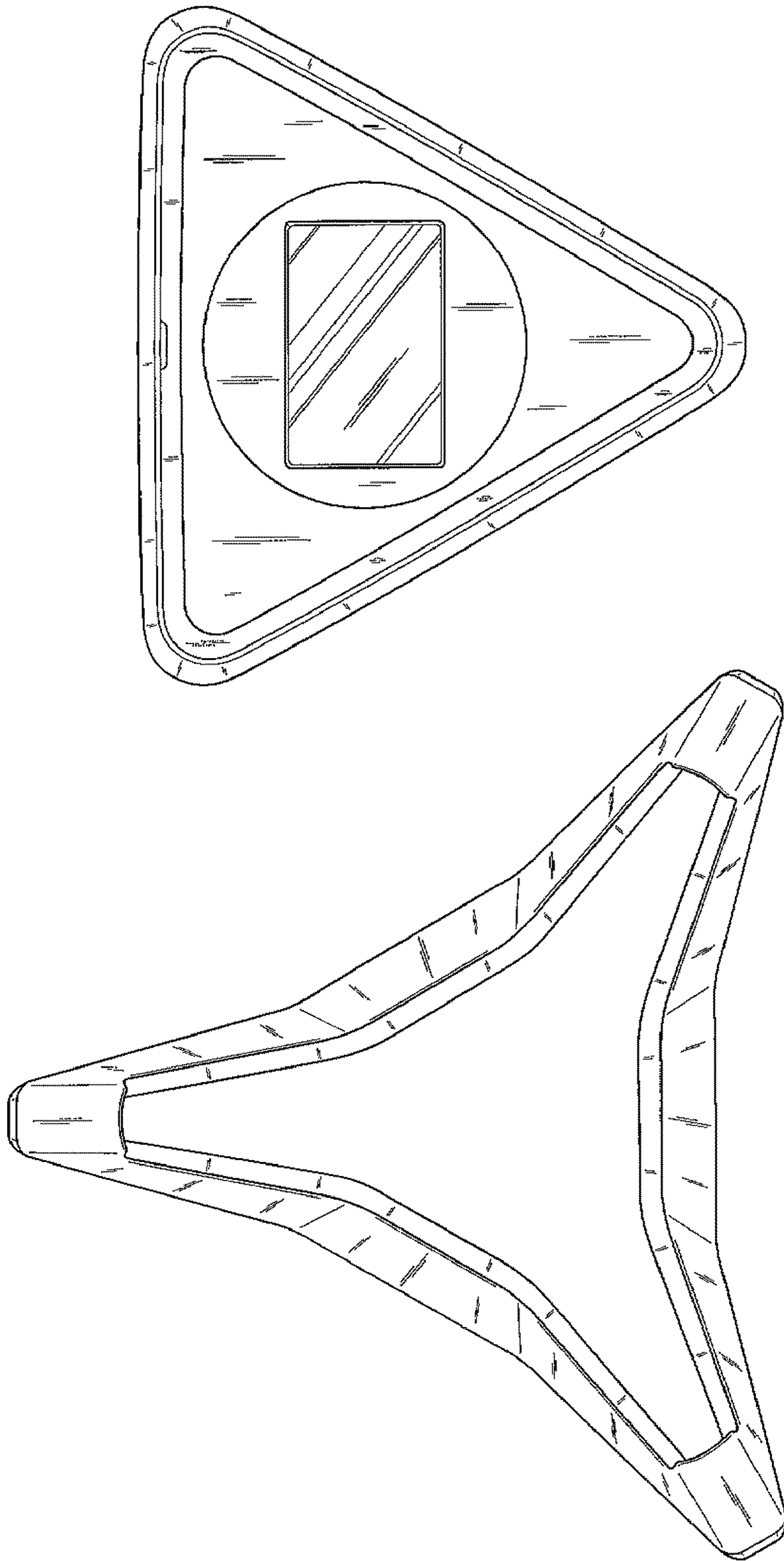


FIG. 4

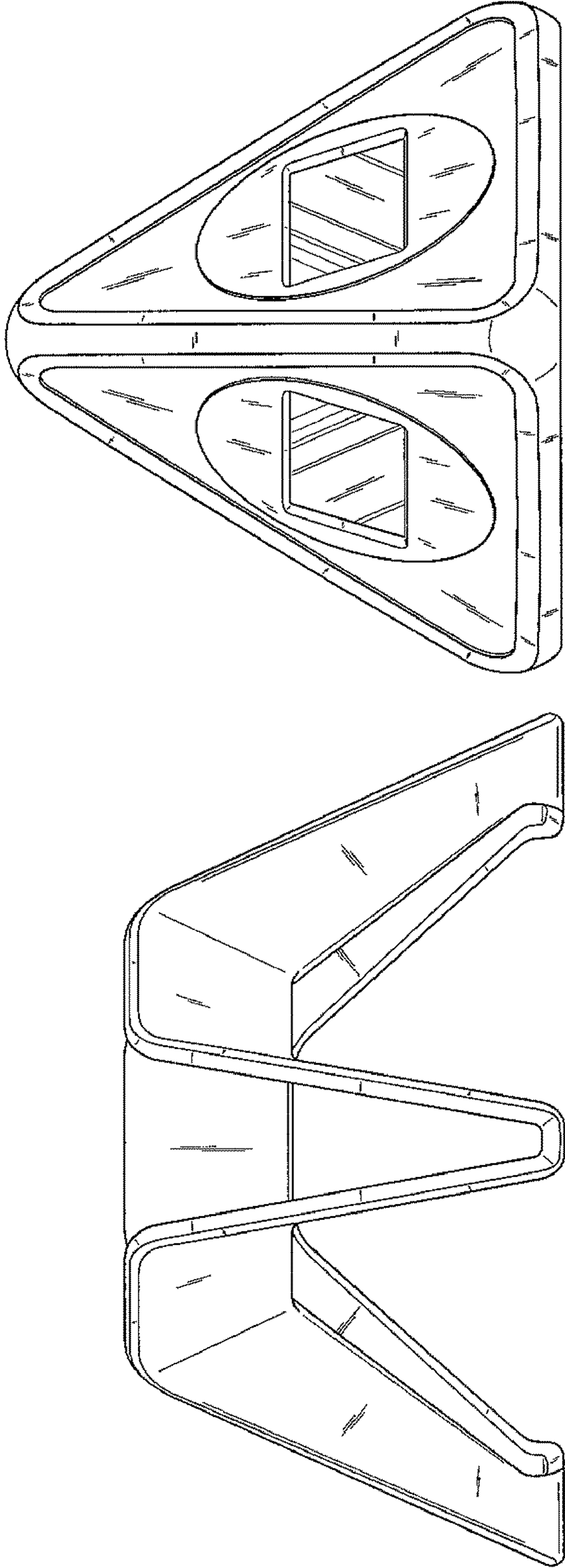


FIG. 5

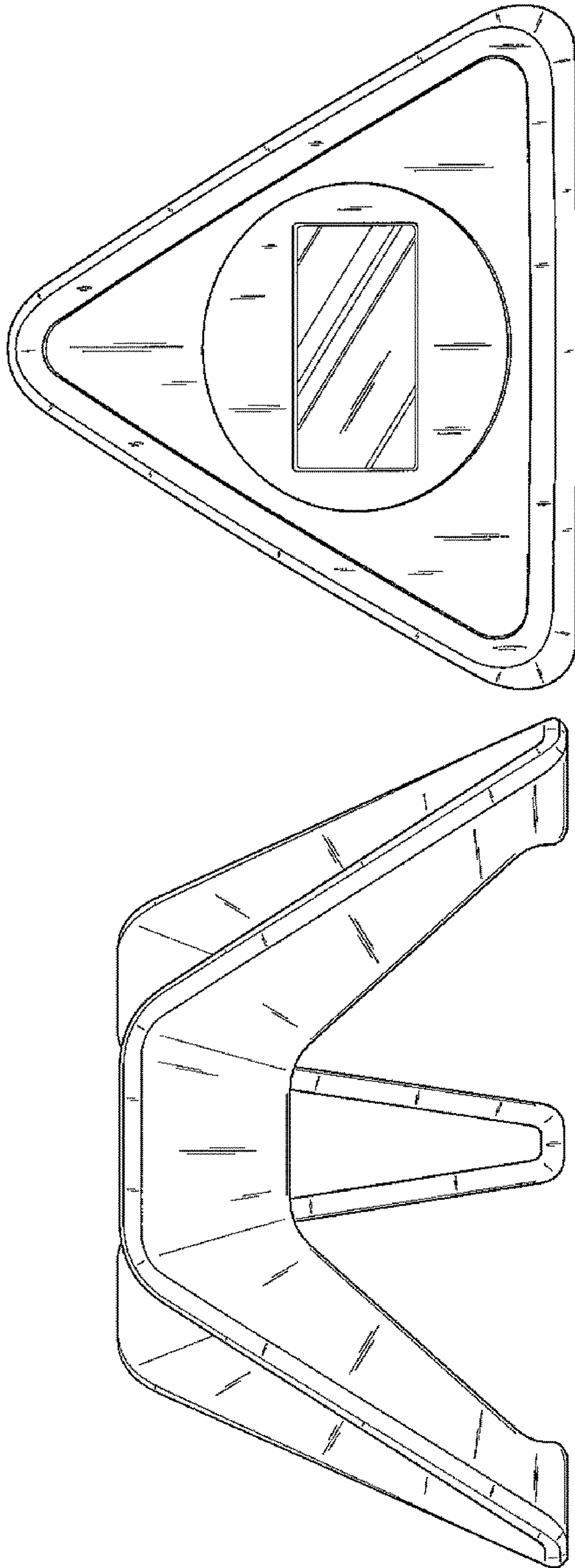


FIG. 6

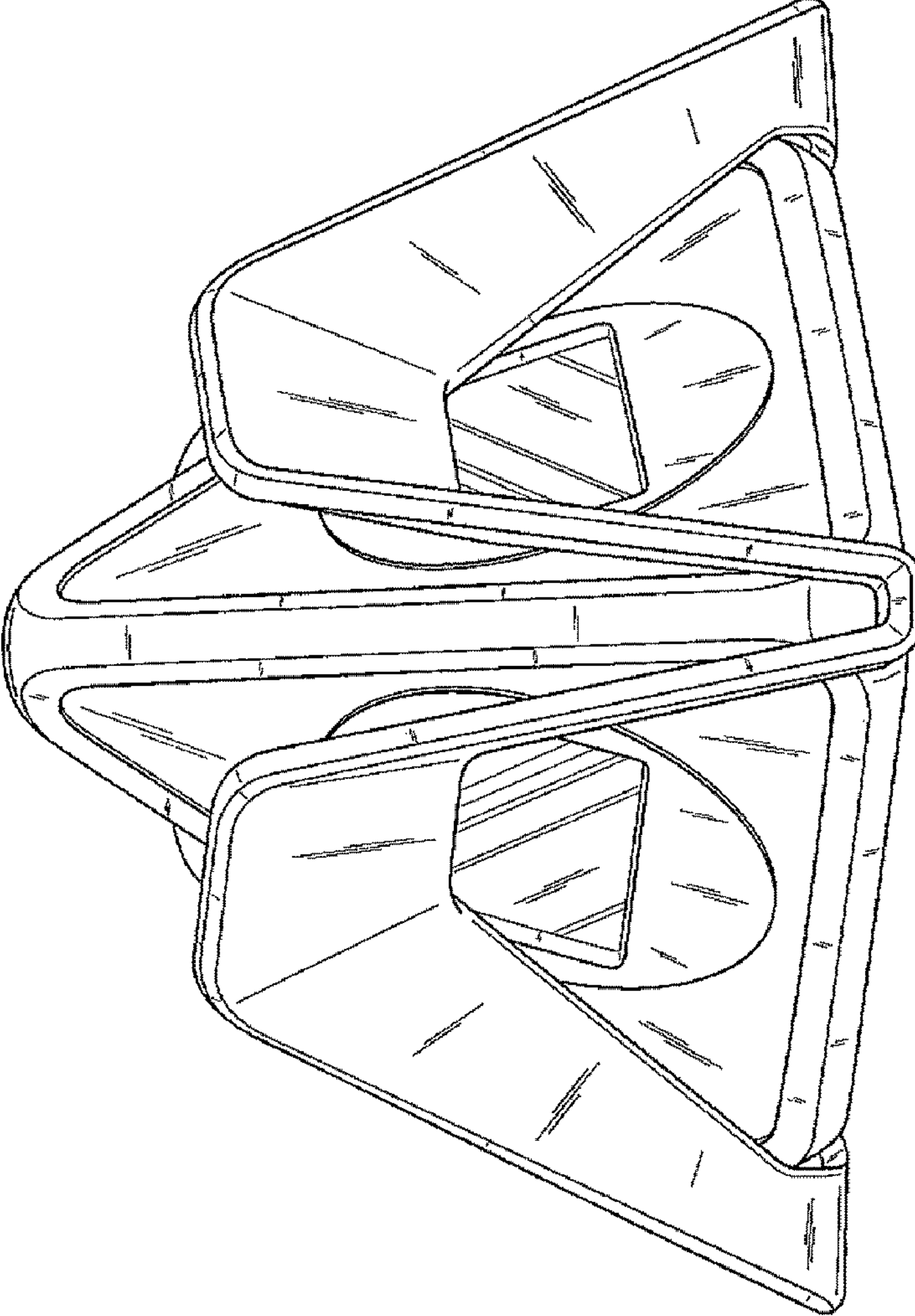


FIG. 7