



US00D647400S

(12) **United States Design Patent**
Fields

(10) **Patent No.:** **US D647,400 S**

(45) **Date of Patent:** **** Oct. 25, 2011**

(54) **FULL APERTURE OPEN BEVERAGE CAN**

(75) Inventor: **Brian Fields**, Lemont, IL (US)

(73) Assignee: **Crown Packaging Technology, Inc.**,
Alsip, IL (US)

(**) Term: **14 Years**

(21) Appl. No.: **29/363,502**

(22) Filed: **Jun. 10, 2010**

(51) **LOC (9) Cl.** **09-07**

(52) **U.S. Cl.** **D9/435; D9/434; D7/392.1**

(58) **Field of Classification Search** D9/435,
D9/434, 449, 454; D7/387, 396.2, 398, 392.1,
D7/608; 220/269, 270, 271, 500, 600, 619,
220/623; 413/31, 6, 8; 426/118; 72/348,
72/349

See application file for complete search history.

(56) **References Cited**

U.S. PATENT DOCUMENTS

D30,094	S	*	1/1899	Busch	D9/434
D30,338	S	*	3/1899	Mann	D9/434
2,683,579	A	*	7/1954	Wallace	248/146
3,301,464	A	*	1/1967	Amberg	229/125.17
3,477,608	A		11/1969	Fraze		
3,485,410	A		12/1969	Boik		
4,002,262	A		1/1977	Khoury		
4,271,778	A		6/1981	Le Bret		
D265,280	S		7/1982	Conti		
D286,508	S		11/1986	Tilden		
4,809,861	A	*	3/1989	Wilkinson et al.	220/623
D328,864	S		8/1992	Grunzweig		
5,232,114	A		8/1993	Zysset		
5,356,256	A	*	10/1994	Turner et al.	413/8
D356,456	S		3/1995	Henry		
D358,988	S	*	6/1995	Nolte	D9/434
5,582,319	A	*	12/1996	Heyes et al.	220/62.22

(Continued)

FOREIGN PATENT DOCUMENTS

CH 527102 8/1972

(Continued)

OTHER PUBLICATIONS

U.S. Appl. No. 29/363,498: Notice of Allowance dated Nov. 29, 2010, 6 pages.

(Continued)

Primary Examiner — Cynthia Underwood

(74) *Attorney, Agent, or Firm* — Woodcock Washburn LLP

(57) **CLAIM**

The ornamental design for full aperture open beverage can, as shown and described.

DESCRIPTION

This application is related by subject matter to co-pending applications U.S. patent application Ser. No. 29/363,492, filed Jun. 10, 2010, U.S. patent application Ser. No. 29/363,500, filed Jun. 10, 2010, and U.S. patent application Ser. No. 29/363,498, filed Jun. 10, 2010, each entitled "Full Aperture Open Beverage Can," and U.S. patent application Ser. No. 12/797,171, filed Jun. 9, 2010 and European Patent Applicant EP09169559.3, filed Sep. 4, 2009.

FIG. 1 is a top perspective view of a full aperture beverage can according to our design;

FIG. 2 is a side view thereof, with all sides being the same;

FIG. 3 is a top plan view thereof;

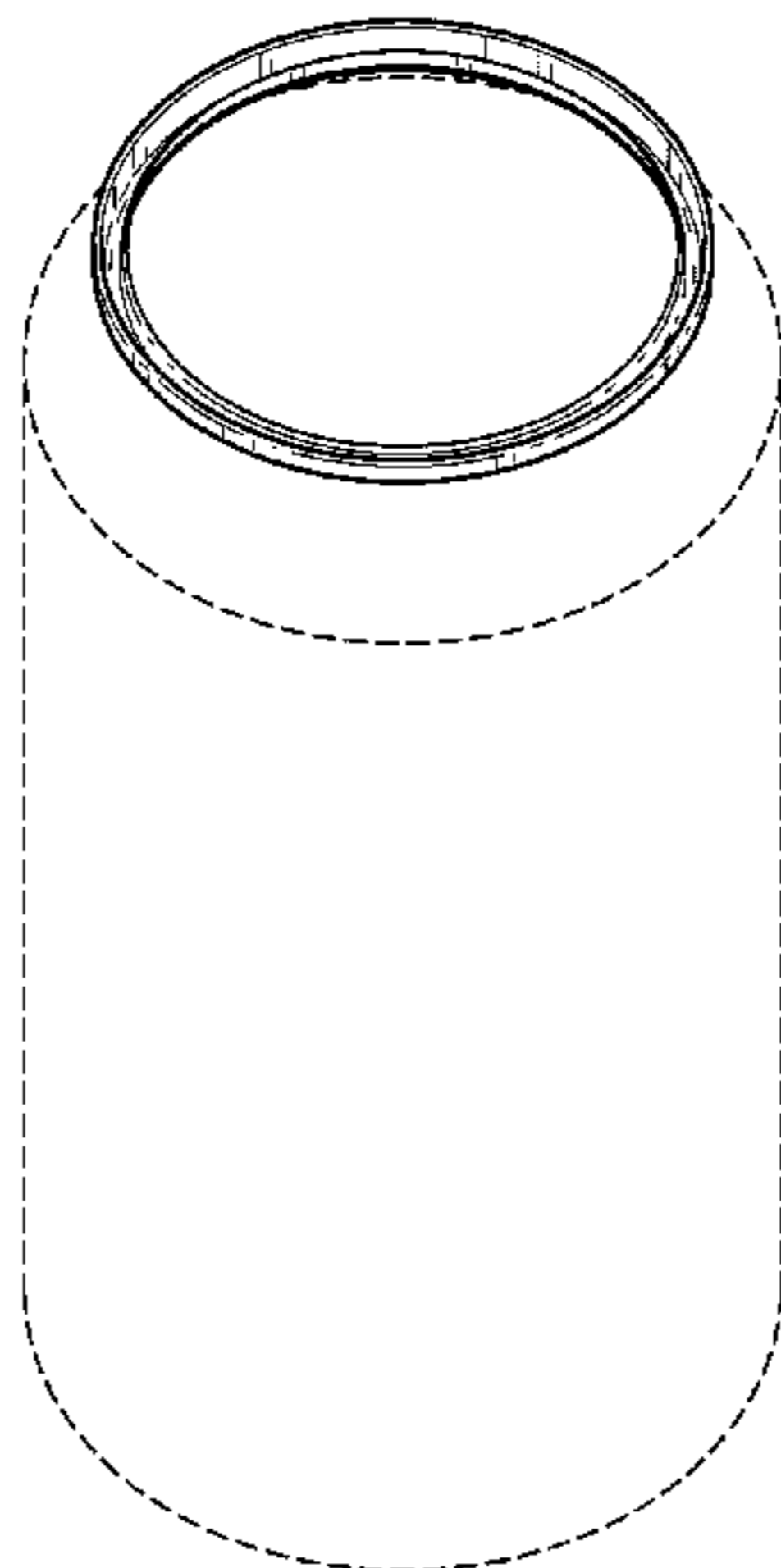
FIG. 4 is bottom plan view thereof; and,

FIG. 5 is a cross sectional view of a portion of the full aperture can shown taken at arrow 5 in FIG. 3, the view of FIG. 5 is provided for ornamental information and detail helpful in interpreting other views.

Any broken line portion of the drawings is included to show environmental subject matter only and forms no part of the claimed design.

In a preferred embodiment, the nature of this product is a beverage can having an aperture on its end from which a user can drink.

1 Claim, 2 Drawing Sheets



US D647,400 S

Page 2

U.S. PATENT DOCUMENTS

D379,588 S * 6/1997 Pledger et al. D9/434
5,711,448 A 1/1998 Clarke, III
5,860,553 A 1/1999 Shubert
D406,236 S * 3/1999 Brifcani et al. D9/438
5,911,551 A * 6/1999 Moran 413/31
5,957,647 A * 9/1999 Hinton 413/4
5,971,259 A * 10/1999 Bacon 229/5.6
6,065,634 A * 5/2000 Brifcani et al. 220/619
6,089,072 A * 7/2000 Fields 72/379.4
D431,413 S 10/2000 Schaper et al.
D480,304 S 10/2003 Stodd
D488,376 S * 4/2004 Chung D9/434
6,848,875 B2 * 2/2005 Brifcani et al. 413/6
6,915,553 B2 * 7/2005 Turner et al. 29/505
D515,353 S * 2/2006 Martin D7/392.1
D525,127 S 7/2006 Cogley et al.
7,100,789 B2 * 9/2006 Nguyen et al. 220/623
D559,680 S * 1/2008 Jacober et al. D9/438
7,341,163 B2 3/2008 Stodd
D567,657 S * 4/2008 Hall et al. D9/454
D570,213 S 6/2008 Newman
7,500,376 B2 * 3/2009 Bathurst et al. 72/348
7,506,779 B2 * 3/2009 Jentzsch et al. 220/619
D591,149 S 4/2009 Bonner et al.
7,673,768 B2 * 3/2010 Reed et al. 220/619
7,743,635 B2 * 6/2010 Jentzsch et al. 72/117

2004/0026433 A1 2/2004 Brifcani et al.
2005/0284869 A1 12/2005 Mills
2008/0067171 A1 3/2008 Heinicke

FOREIGN PATENT DOCUMENTS

EP 0737624 10/1996
EP 1577222 9/2005
EP 1813540 8/2007
EP 2070826 6/2009
EP 09169559.3 9/2009
GB 1358427 7/1974
GB 1453131 10/1976
WO WO 2010/020375 2/2010

OTHER PUBLICATIONS

U.S. Appl. No. 29/363,492: Notice of Allowance dated Nov. 30, 2010, 7 pages.

U.S. Appl. No. 29/363,500: Notice of Allowance dated Nov. 30, 2010, 6 pages.

Ball Packaging Europe, "Full aperture tear-off end", http://www.ball-europe.com/382_349_ENG_PHP.html, accessed Dec. 2, 2010, 1 page.

U.S. Appl. No. 29/368,323: Notice of Allowance dated Dec. 3, 2010, 6 pages.

* cited by examiner

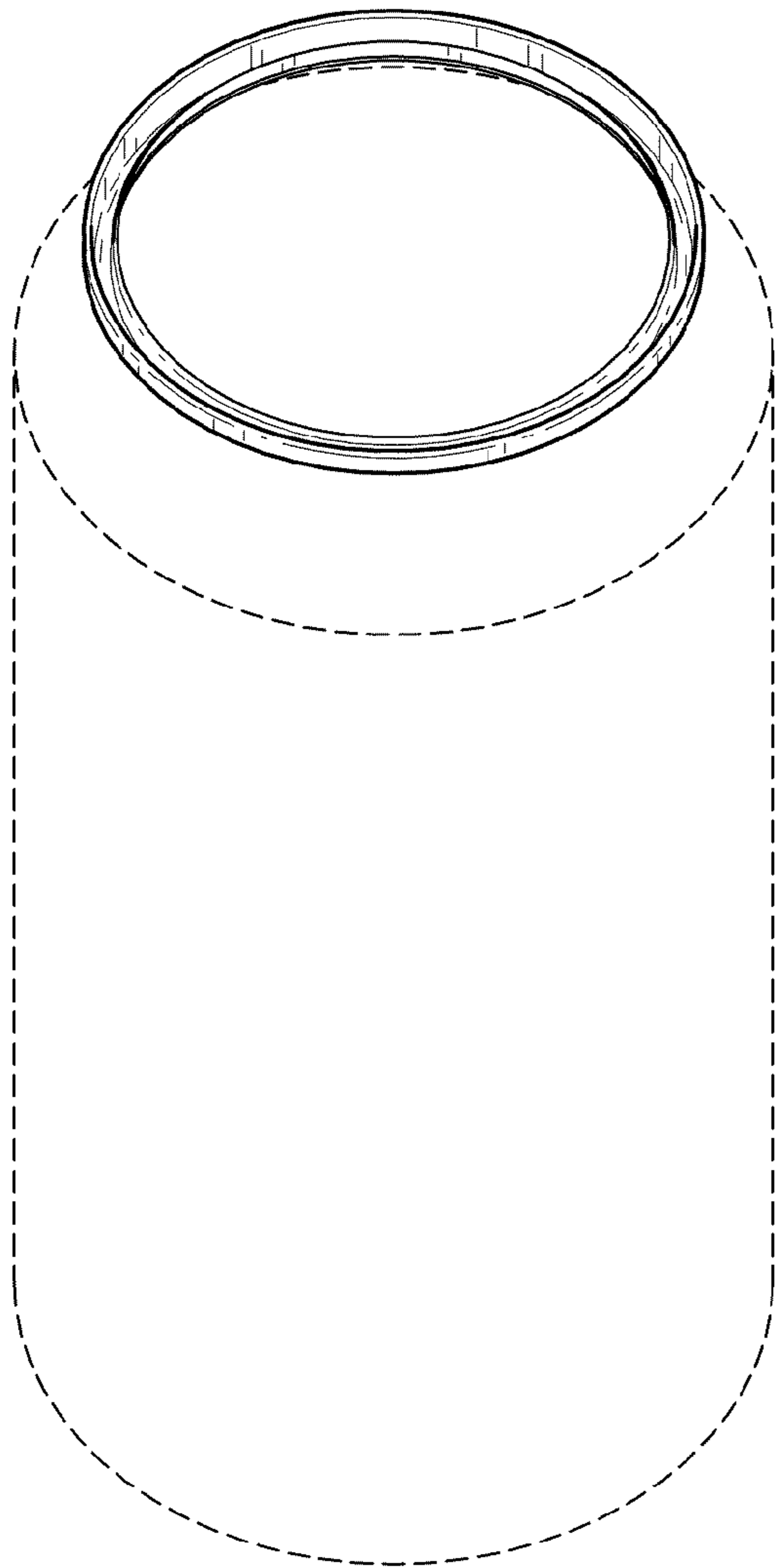


FIG. 1

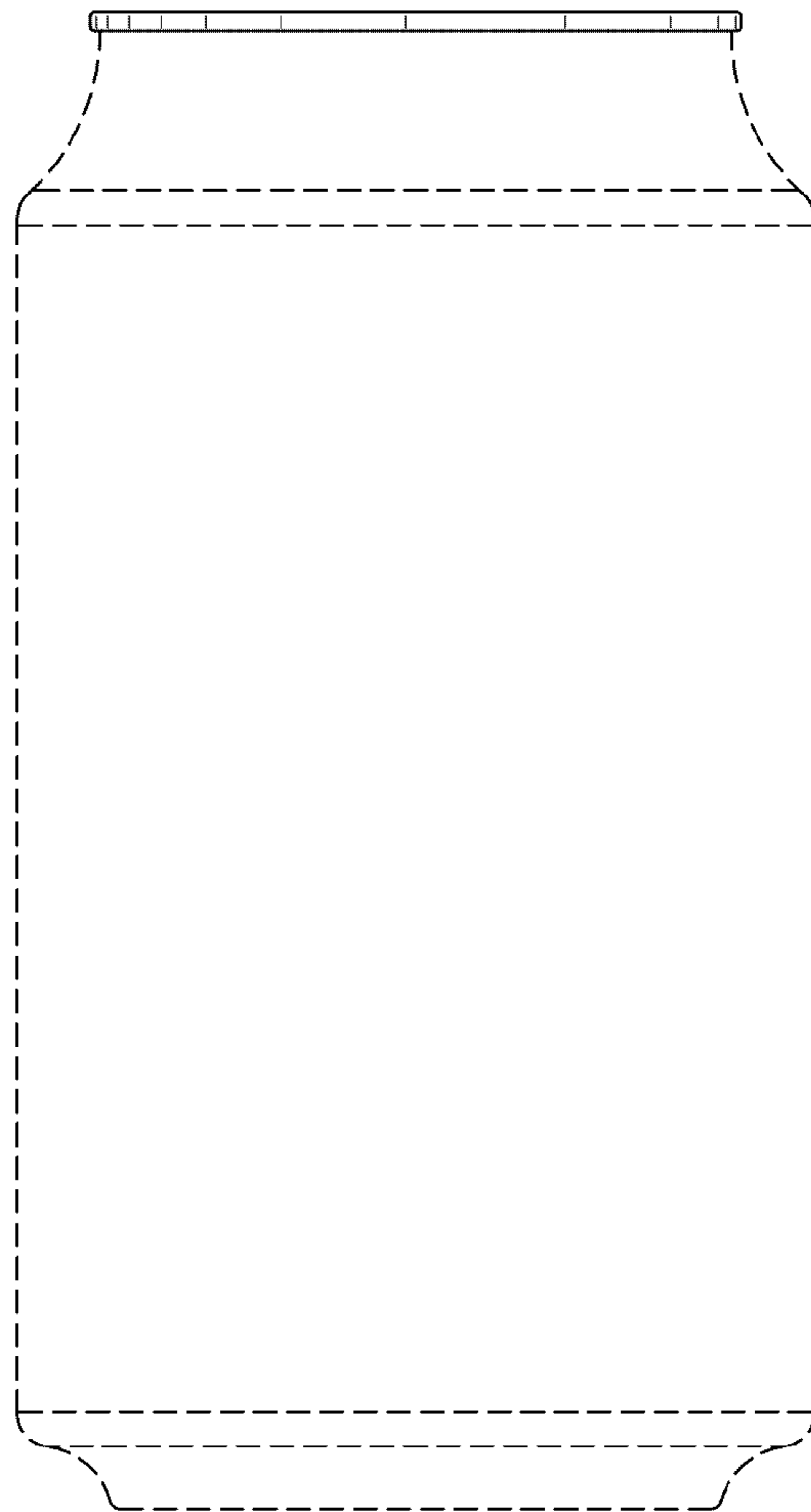


FIG. 2

