



US00D647395S

(12) **United States Design Patent**
Mitten et al.

(10) **Patent No.:** **US D647,395 S**

(45) **Date of Patent:** **** Oct. 25, 2011**

(54) **FOLDED PACK**

(75) Inventors: **Robert Mitten**, Glen Allen, VA (US);
Christopher J. Hession, Mechanicsville,
VA (US); **Ed Fuller**, Ashland, VA (US)

(73) Assignee: **Altria Client Services Inc.**, Richmond,
VA (US)

(**) Term: **14 Years**

(21) Appl. No.: **29/362,222**

(22) Filed: **May 21, 2010**

(51) **LOC (9) Cl.** **09-03**

(52) **U.S. Cl.** **D9/420; D9/701**

(58) **Field of Classification Search** D9/414,
D9/418, 420-423, 430-433, 435, 560, 561,
D9/701, 705; 206/278, 297, 299, 320, 339,
206/433, 769, 770, 775, 776, 781, 782, 822;
229/100, 103.3, 104-106, 107-108.1, 110-112,
229/115, 117.16, 120, 125.015, 120.32, 133.24,
229/122.29, 124, 160.1, 162.1, 162.6, 163,
229/182.1, 201, 406, 407, 902, 904, 906,
229/922, 930, 939, 942; D3/201, 272, 273,
D3/305

See application file for complete search history.

(56) **References Cited**

U.S. PATENT DOCUMENTS

D265,889 S * 8/1982 Lawrence et al. D9/418
D387,976 S * 12/1997 Mori D6/634
D421,568 S * 3/2000 Ferguson et al. D9/701

D434,319 S * 11/2000 Mori D9/701
D454,303 S * 3/2002 Sipinen D9/702
D489,255 S * 5/2004 Kratzert et al. D9/433
D495,254 S * 8/2004 Carlos D9/433
D531,498 S * 11/2006 Fluegel et al. D9/432
D545,188 S * 6/2007 Billig et al. D9/432
D555,511 S * 11/2007 Warmka et al. D9/722
D624,401 S * 9/2010 Friedman et al. D9/423
D625,993 S * 10/2010 Tyson et al. D9/420
2008/0000794 A1 * 1/2008 Aldridge 206/467

* cited by examiner

Primary Examiner — Thomas Johannes

(74) *Attorney, Agent, or Firm* — Buchanan Ingersoll &
Rooney PC

(57) **CLAIM**

The ornamental design for a folded pack, as shown and
described.

DESCRIPTION

FIG. 1 is a front perspective view of a folded pack in a closed
configuration according to our new design.

FIG. 2 is a front elevational view thereof.

FIG. 3 is a rear elevational view thereof.

FIG. 4 is a left side elevational view thereof, the other side
being a mirror image thereof.

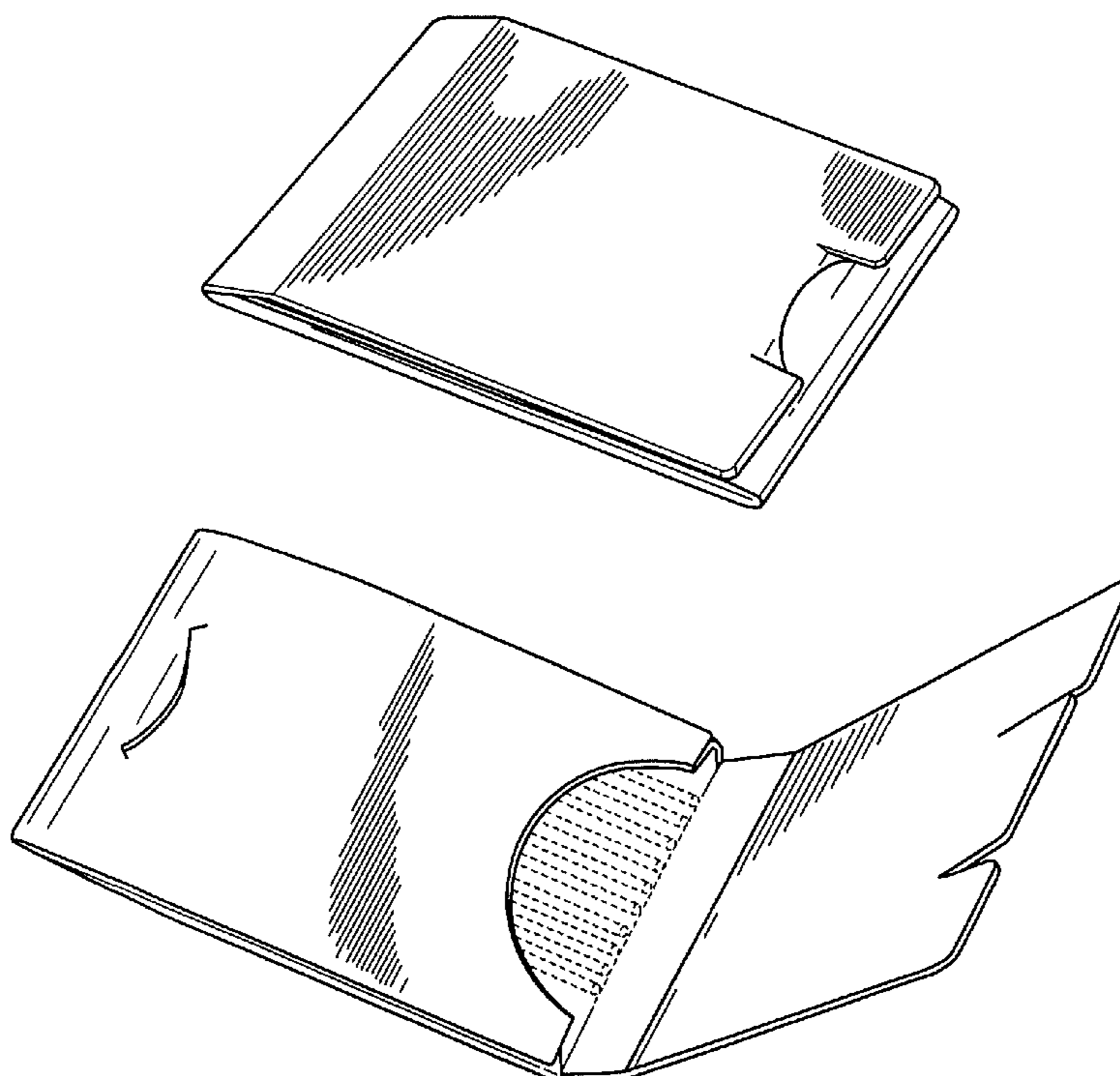
FIG. 5 is a bottom plan view thereof.

FIG. 6 is a top plan view thereof; and,

FIG. 7 is a front perspective view thereof in an open configu-
ration.

The broken line showing of thin elongate products in FIG. 7
shows unclaimed subject matter only and forms no part of the
claimed design.

1 Claim, 2 Drawing Sheets



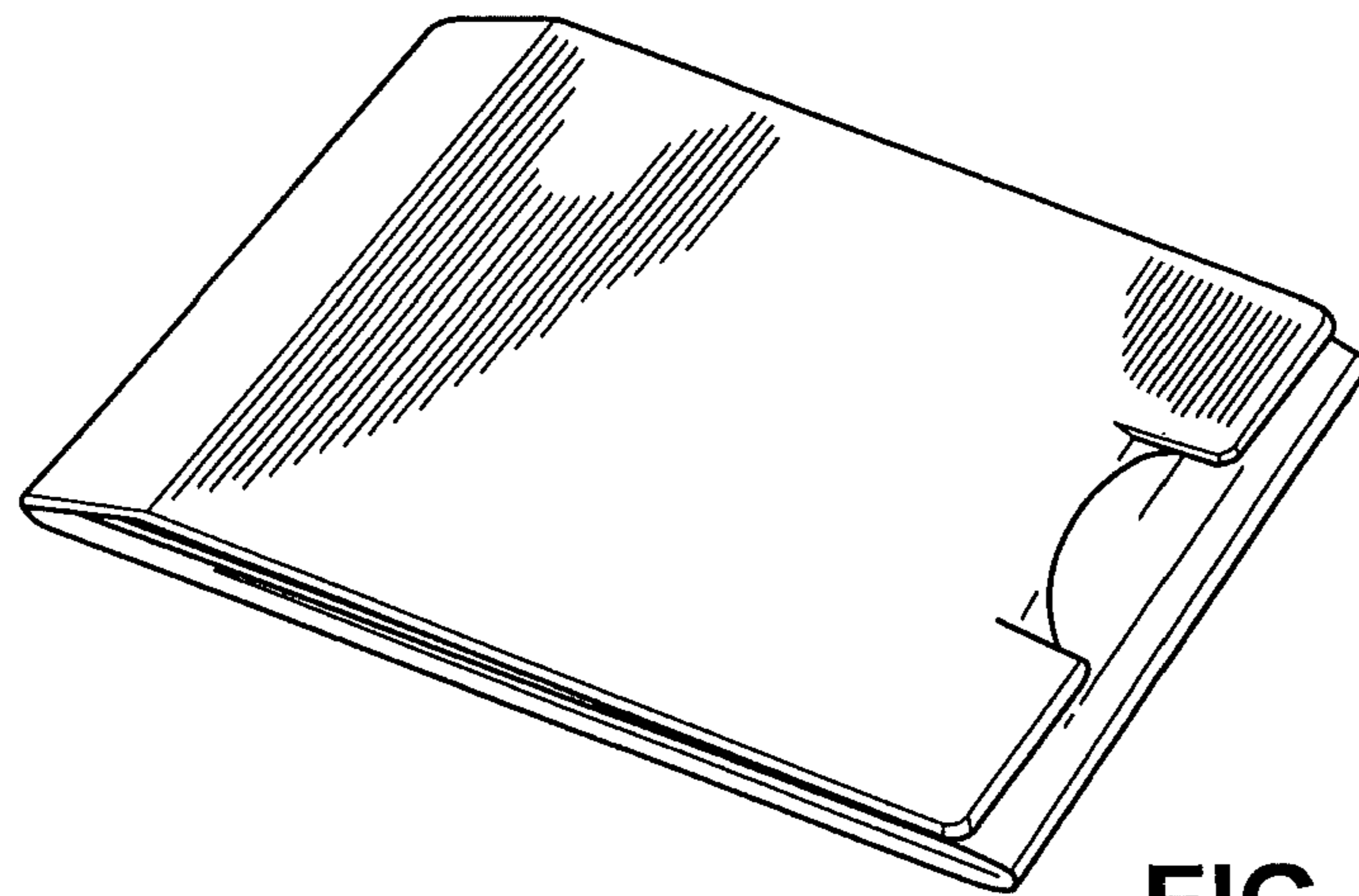


FIG. 1

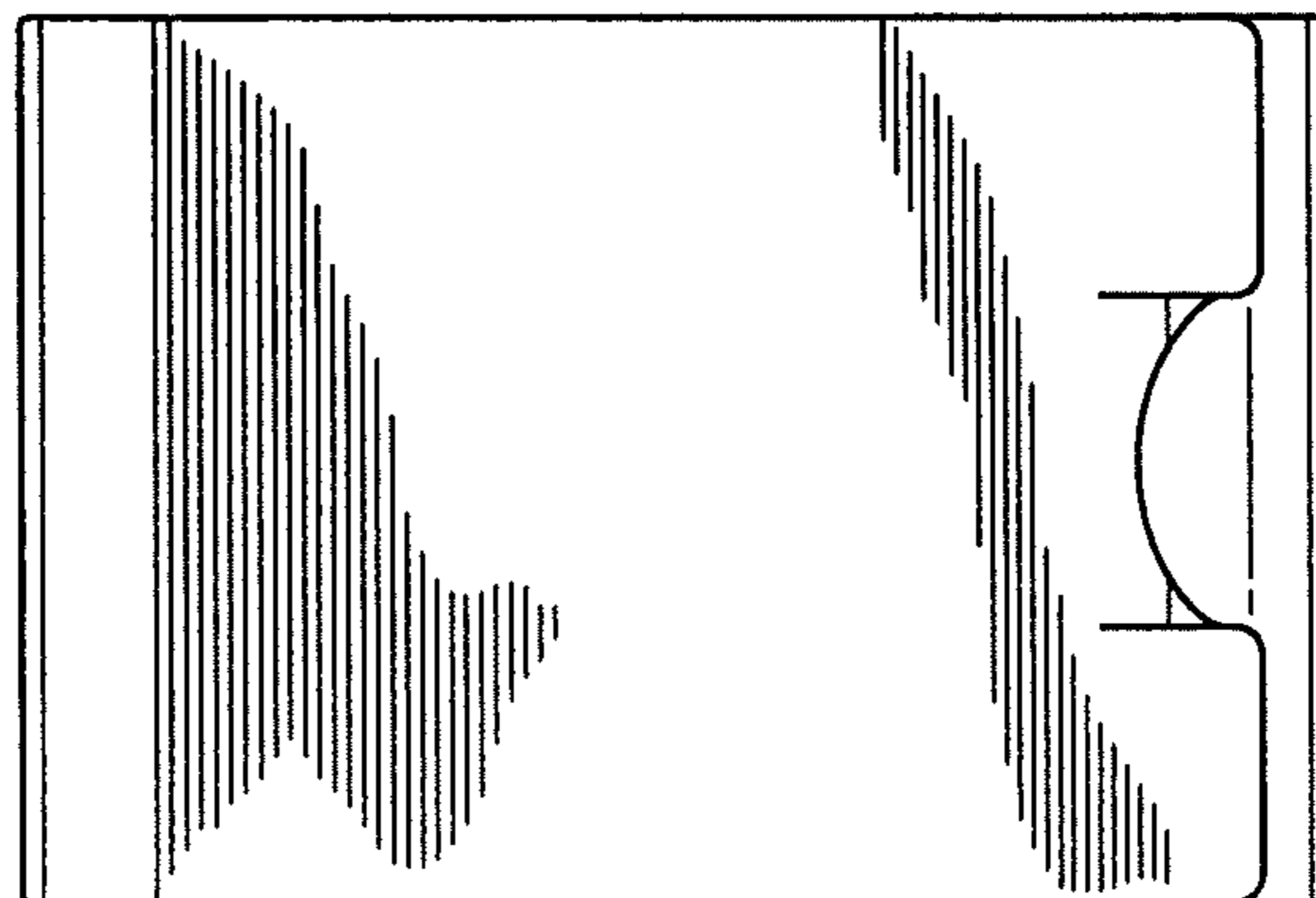


FIG. 2

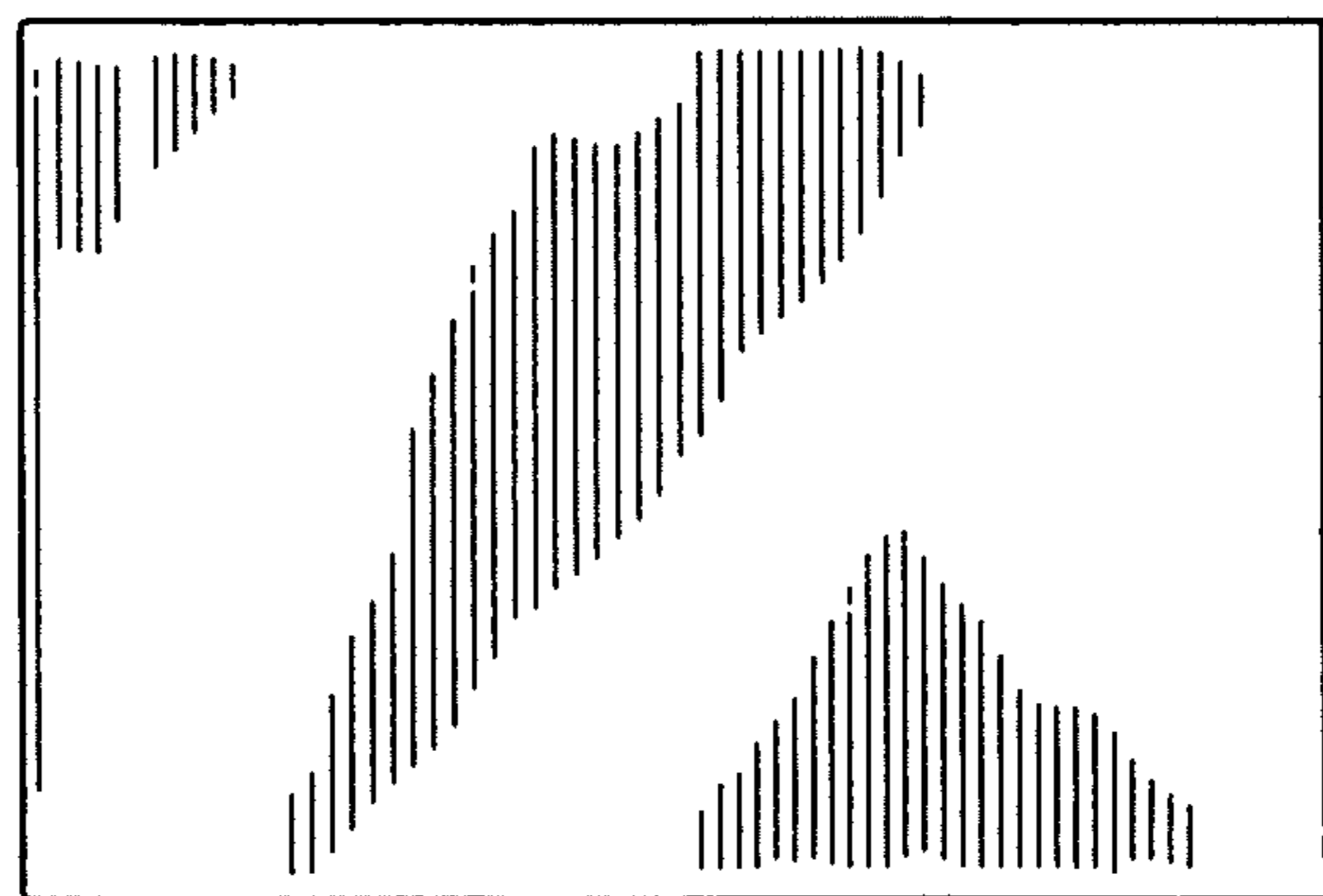


FIG. 3

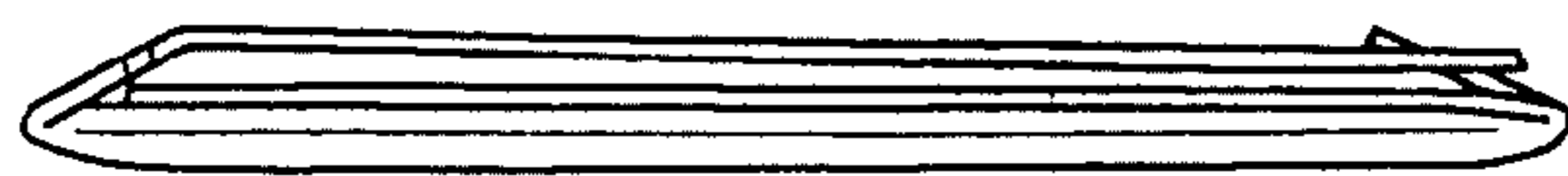


FIG. 4

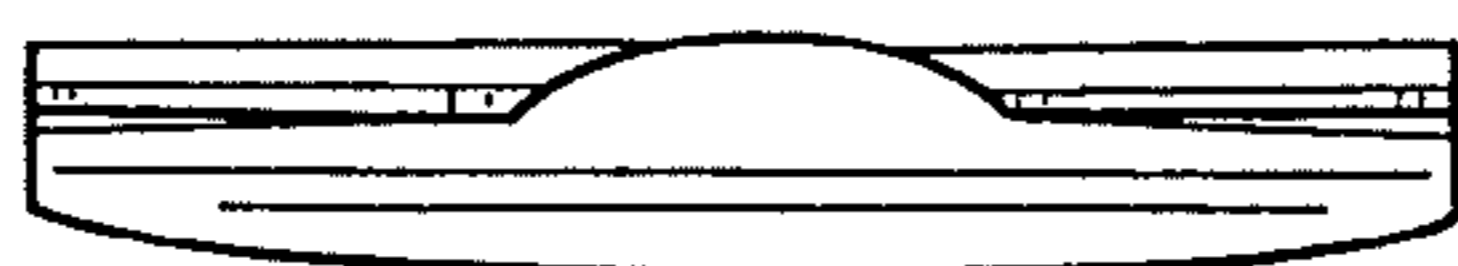


FIG. 5

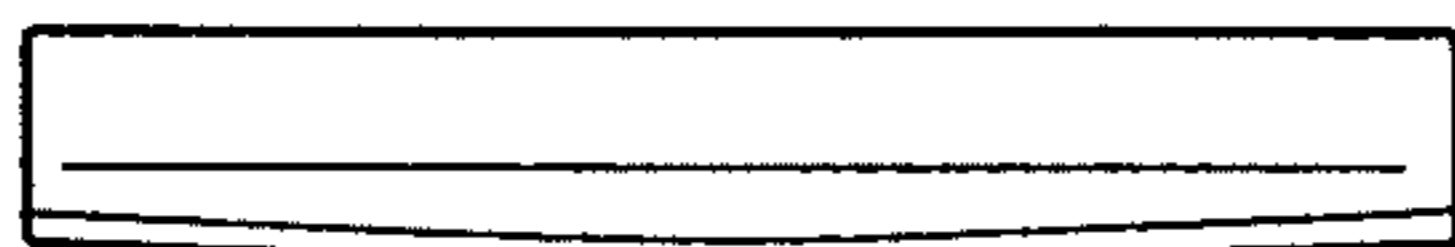


FIG. 6

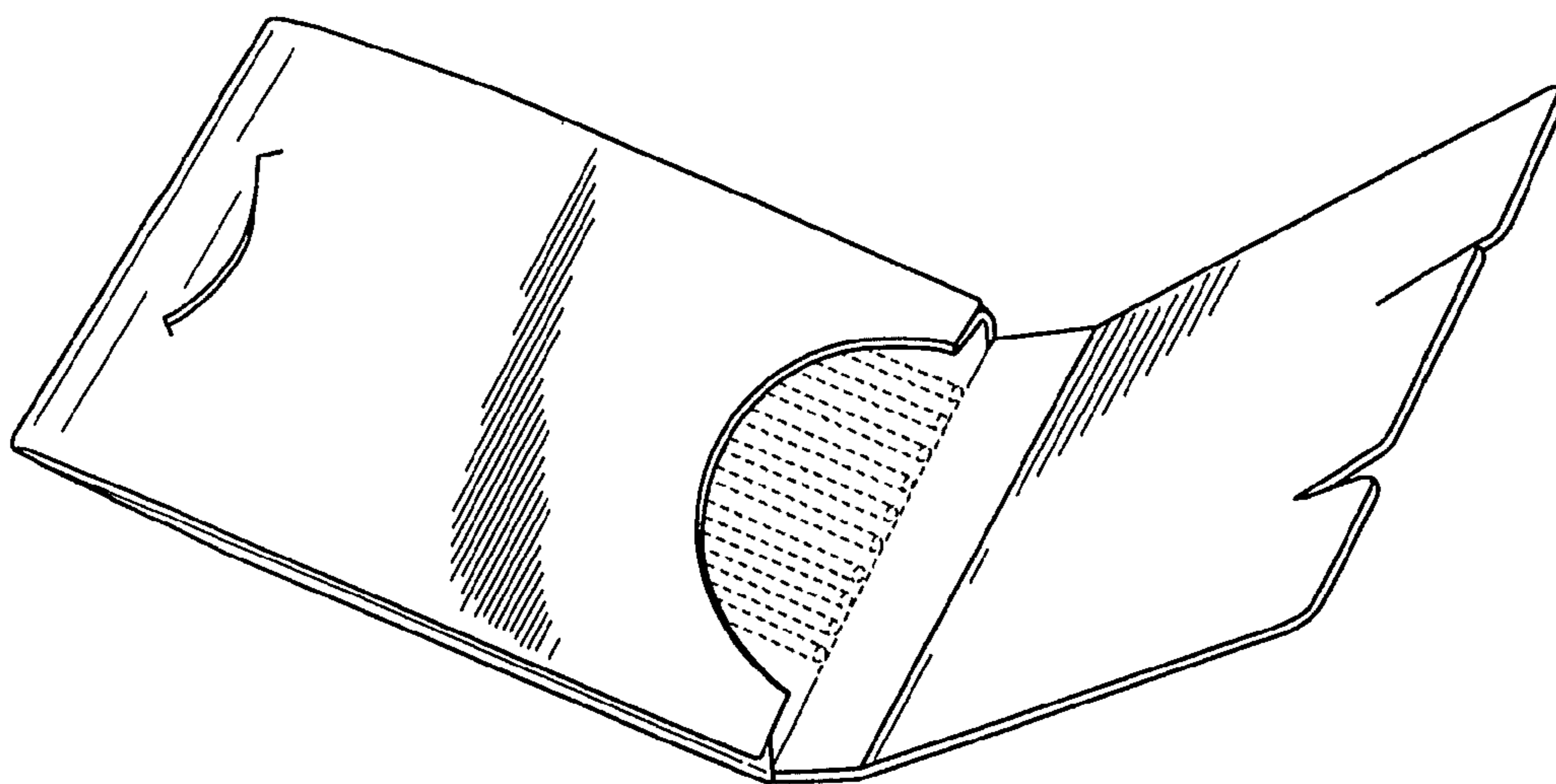


FIG. 7