

US00D647393S

(12) **United States Design Patent**
Carrillo, Sr. et al.

(10) **Patent No.:** **US D647,393 S**
(45) **Date of Patent:** **** Oct. 25, 2011**

- (54) **SCREW WITH ELONGATE HEAD**
- (76) Inventors: **Daniel Carrillo, Sr.**, Palmdale, CA (US); **Hector Carrillo, Jr.**, Palmdale, CA (US)
- (**) Term: **14 Years**
- (21) Appl. No.: **29/391,291**
- (22) Filed: **May 5, 2011**

Related U.S. Application Data

- (62) Division of application No. 29/364,768, filed on Jun. 28, 2010, now Pat. No. Des. 639,645.
- (51) **LOC (9) Cl.** **08-08**
- (52) **U.S. Cl.** **D8/387**
- (58) **Field of Classification Search** D8/387; 411/403, 337, 378, 410, 402, 411
See application file for complete search history.

References Cited

U.S. PATENT DOCUMENTS

1,908,215	A *	5/1933	Berge	470/4
3,463,209	A *	8/1969	Podolsky	81/436
D264,807	S *	6/1982	Baumgartner	D8/387
6,332,741	B1 *	12/2001	Janusz	411/412
D517,404	S *	3/2006	Schluter	D8/387
7,063,491	B2 *	6/2006	French	411/387.8
D531,491	S *	11/2006	Liu	D8/387
D557,131	S *	12/2007	Liu	D8/387
D559,094	S *	1/2008	Totsu	D8/387
D567,074	S *	4/2008	Gallien	D8/387

D567,644	S *	4/2008	Liu	D8/387
D585,731	S *	2/2009	Carrillo et al.	D8/387
D592,044	S *	5/2009	Bulte	D8/387
D596,483	S *	7/2009	Yehling	D8/397
D612,714	S *	3/2010	Skubic	D8/387
D614,942	S *	5/2010	Gaudron	D8/387
D634,186	S *	3/2011	Kemper	D8/387
7,938,608	B1 *	5/2011	Jordan	411/187
D639,645	S *	6/2011	Carrillo et al.	D8/387

* cited by examiner

Primary Examiner — Holly H Baynham

Assistant Examiner — Sheryl Lane

(74) *Attorney, Agent, or Firm* — Christie Parker & Hale, LLP

(57) **CLAIM**

The ornamental design for screw with elongate head, as shown and described.

DESCRIPTION

FIG. 1 is a perspective view of the screw with elongated head. FIG. 2 is a side view thereof showing two flat sides of the elongated head.

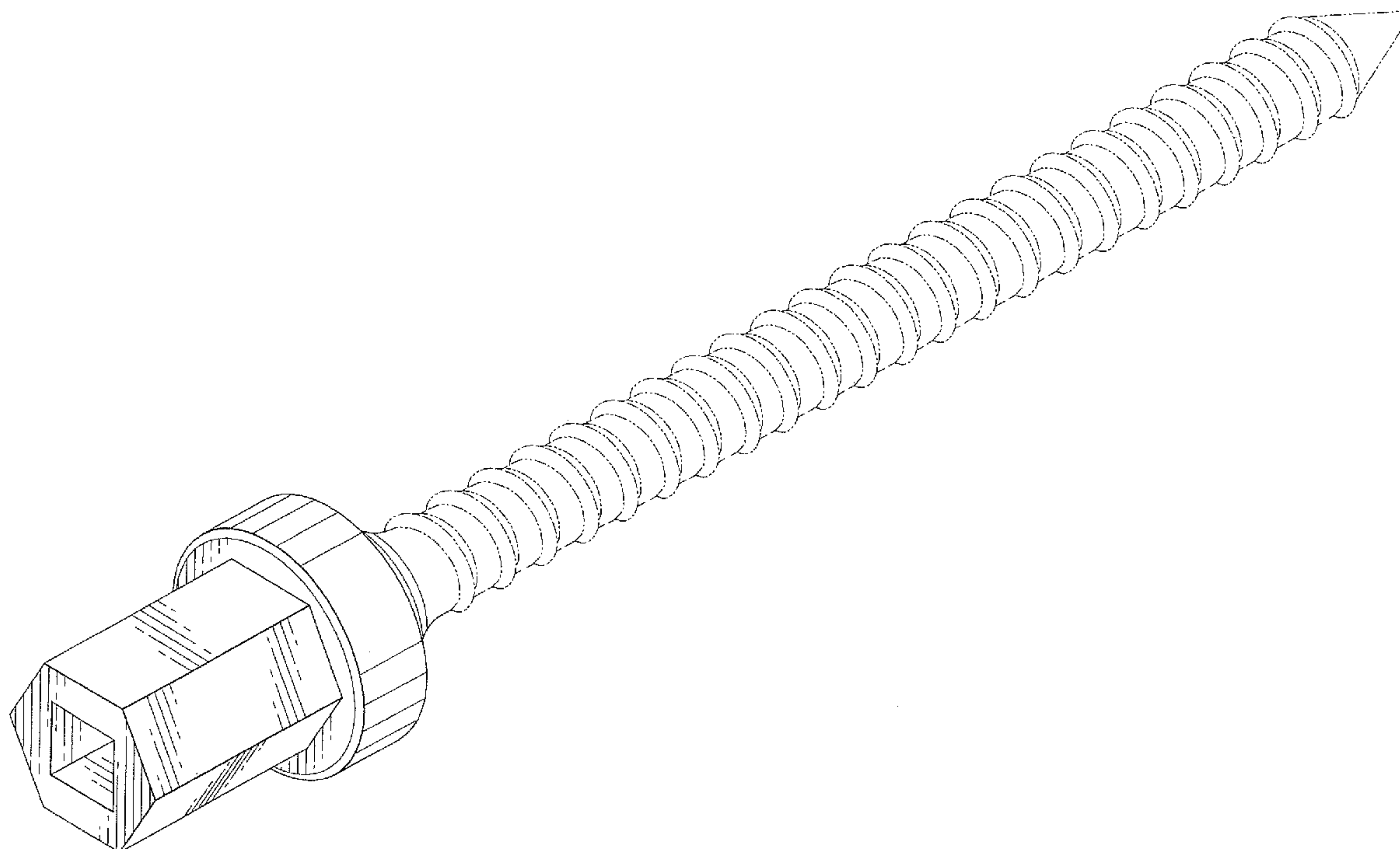
FIG. 3 is a side view thereof with the screw rotated to show three flat sides of the elongated head.

FIG. 4 is a top view thereof; and,

FIG. 5 is a bottom view thereof.

The broken line showing the shaft area is included for the purpose of illustrating portions of the article and form no part of the claimed design.

1 Claim, 2 Drawing Sheets



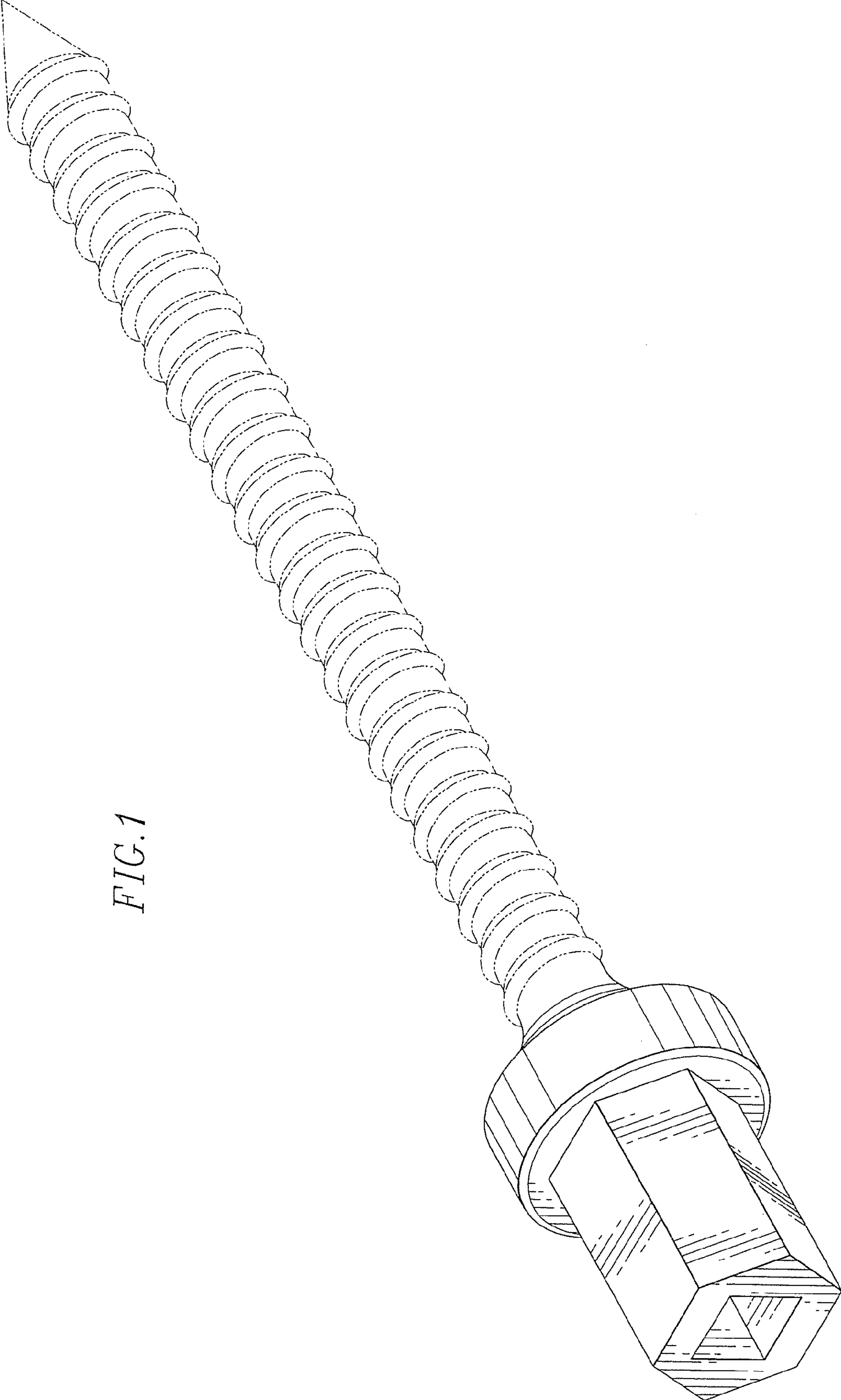


FIG. 1

FIG. 2

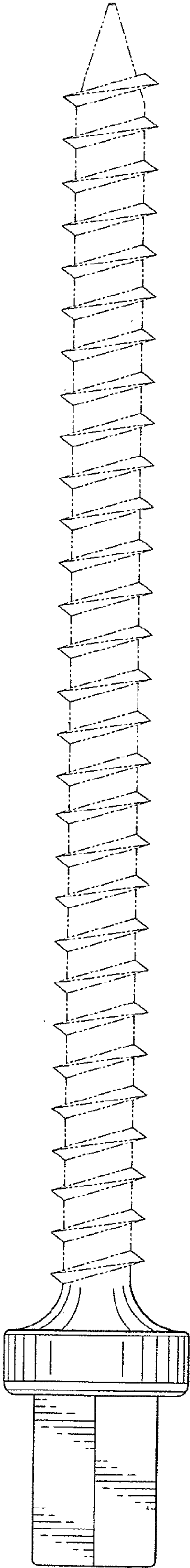


FIG. 3

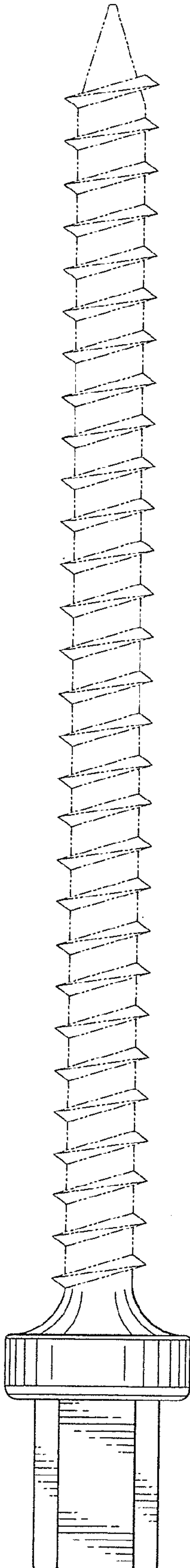


FIG. 5

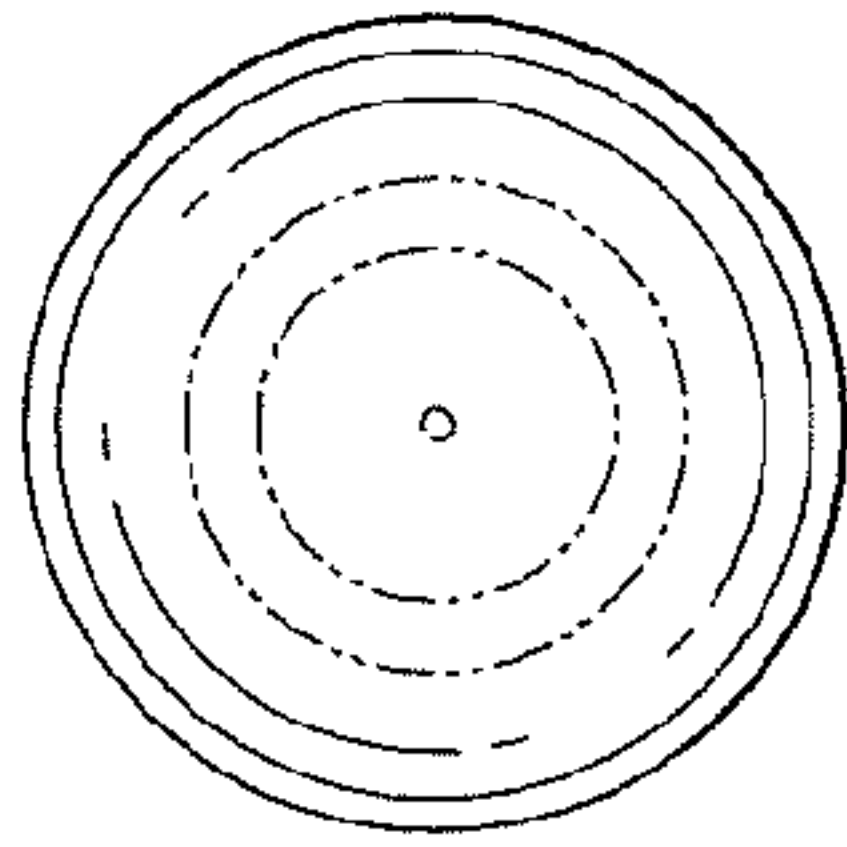


FIG. 4

