



US00D647392S

(12) **United States Design Patent**
Zacharevitz et al.

(10) **Patent No.:** **US D647,392 S**

(45) **Date of Patent:** **** *Oct. 25, 2011**

(54) **COMBINATION HEAD FASTENER**

(75) Inventors: **Steven Daniel Zacharevitz**, Melville, NY (US); **John Michael Eder**, Melville, NY (US)

(73) Assignee: **Leviton Manufacturing Company, Inc.**, Melville, NY (US)

(*) Notice: This patent is subject to a terminal disclaimer.

(**) Term: **14 Years**

(21) Appl. No.: **29/339,126**

(22) Filed: **Jun. 24, 2009**

(51) **LOC (9) Cl.** **08-08**

(52) **U.S. Cl.** **D8/387**

(58) **Field of Classification Search** D8/382,
D8/387, 397; 411/404, 409, 481, 402, 919,
411/378, 393

See application file for complete search history.

(56) **References Cited**

U.S. PATENT DOCUMENTS

2,400,684	A *	5/1946	Clark	81/460
2,592,462	A *	4/1952	Phipard, Jr.	411/481
3,273,442	A *	9/1966	Launay	411/403
3,424,212	A *	1/1969	Kemper	81/436
D286,373	S *	10/1986	Hill	D8/387
5,214,987	A	6/1993	Fenton, Sr.	
5,358,368	A	10/1994	Conlan et al.	
5,577,871	A	11/1996	Brugola	
6,223,634	B1 *	5/2001	Hughes et al.	81/460
6,293,745	B1 *	9/2001	Lu	411/410
6,601,482	B2 *	8/2003	Hughes et al.	81/460
D502,644	S *	3/2005	Ellis et al.	D8/387
D521,931	S	5/2006	Tufano, Jr.	
D543,446	S *	5/2007	DiNenna	D8/387
D545,763	S	7/2007	Tufani, Jr.	
D551,068	S *	9/2007	Chen et al.	D8/387

D596,483	S *	7/2009	Yehling	D8/397
D612,230	S *	3/2010	Tanner	D8/387
2003/0059276	A1 *	3/2003	Chen	411/403
2006/0141844	A1	6/2006	Tufano, Jr.	

OTHER PUBLICATIONS

“Python Rugged, Cost-Effective, Easy-to-Install Plugs and Connectors”, Leviton Manufacturing Co., 1996.

“Your Source for Ground Fault Circuit Interrupter Devices Featuring SmartLock®”, Leviton Manufacturing Co., 2003.

“Industrial Wiring Devices For Industrial, Commercial and OEM Applications”, Leviton Manufacturing Co., IPD 2.07m 2008.

New NEER 3WAY Screw Head, NEER Manufacturing Co., Inc. PO Box 3089, Lexington, OH 44904, 1993.

* cited by examiner

Primary Examiner — Holly H Baynham

Assistant Examiner — Sheryl Lane

(74) *Attorney, Agent, or Firm* — Scully, Scott, Murphy & Presser, P.C.

(57) **CLAIM**

The ornamental design for a combination head fastener, as shown and described.

DESCRIPTION

FIG. 1 is a frontal view of the new combination head fastener design;

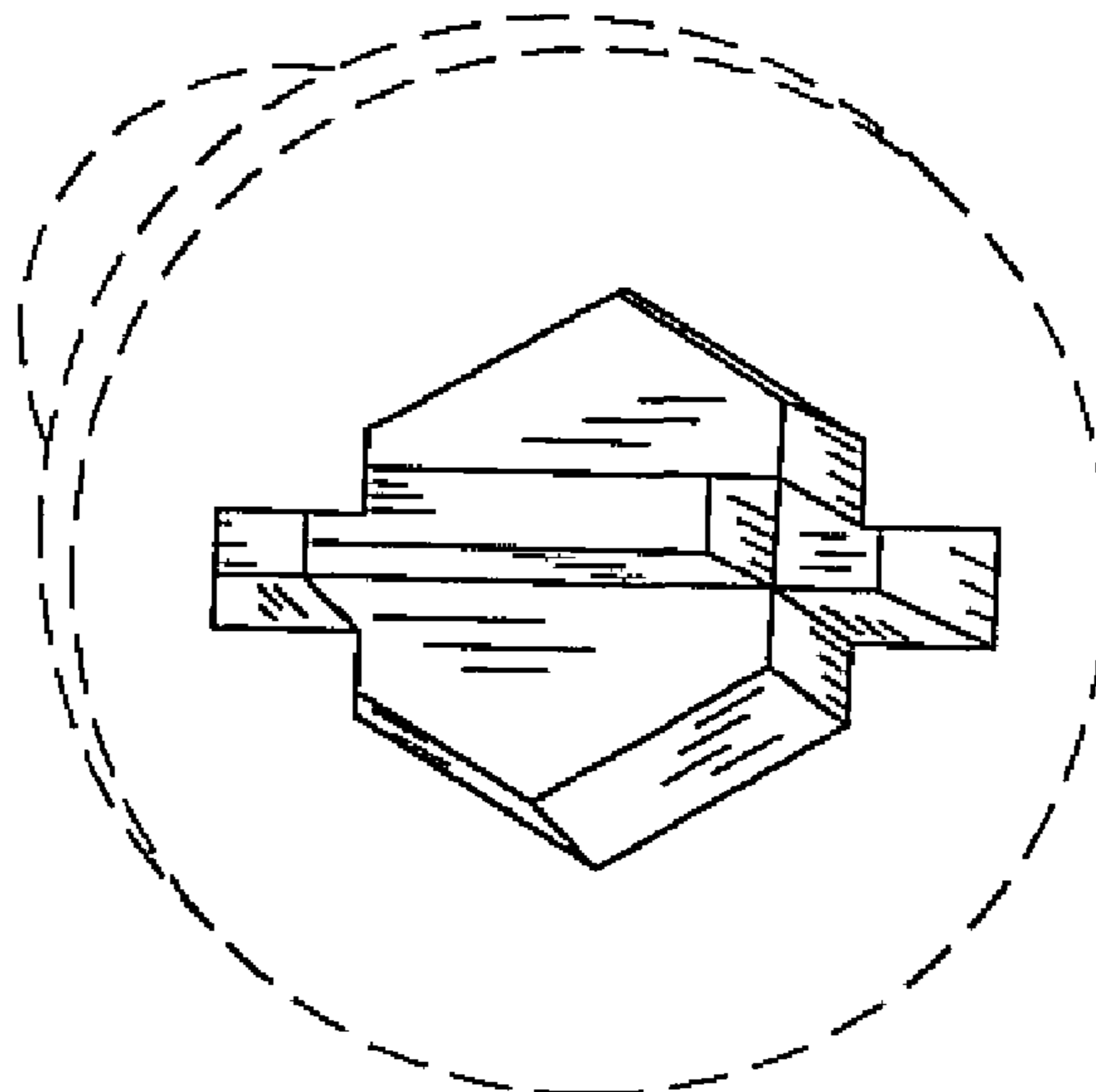
FIG. 2 is a side cross sectional view taken along line 2—2 of FIG. 1;

FIG. 3 is a side cross sectional view taken along line 3—3 of FIG. 1; and,

FIG. 4 is a front perspective view of the new combination head fastener design.

The broken line showing of the fastener is included for the purpose of illustrating portions of the article and forms no part of the claimed design.

1 Claim, 1 Drawing Sheet



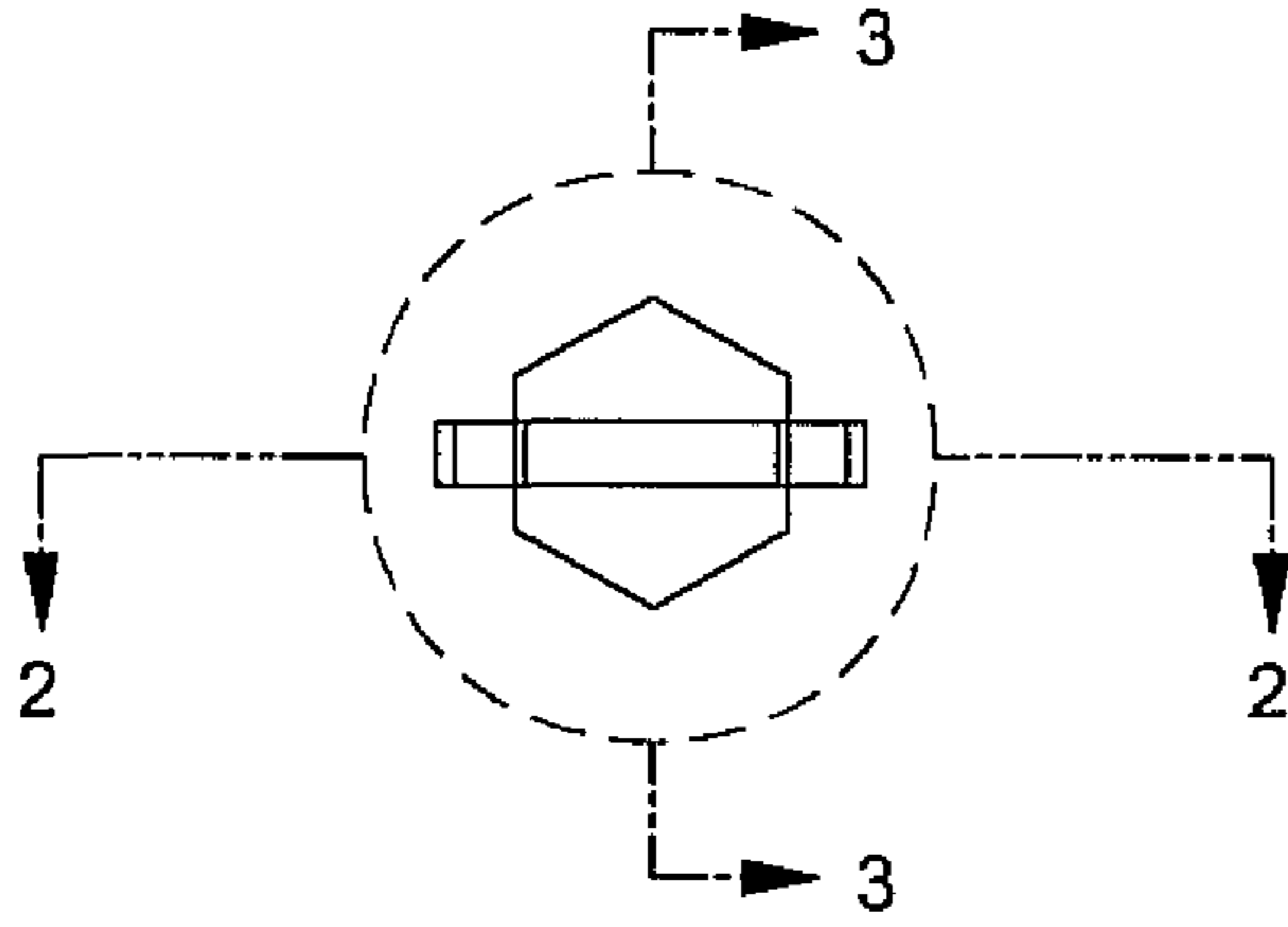


FIG. 1

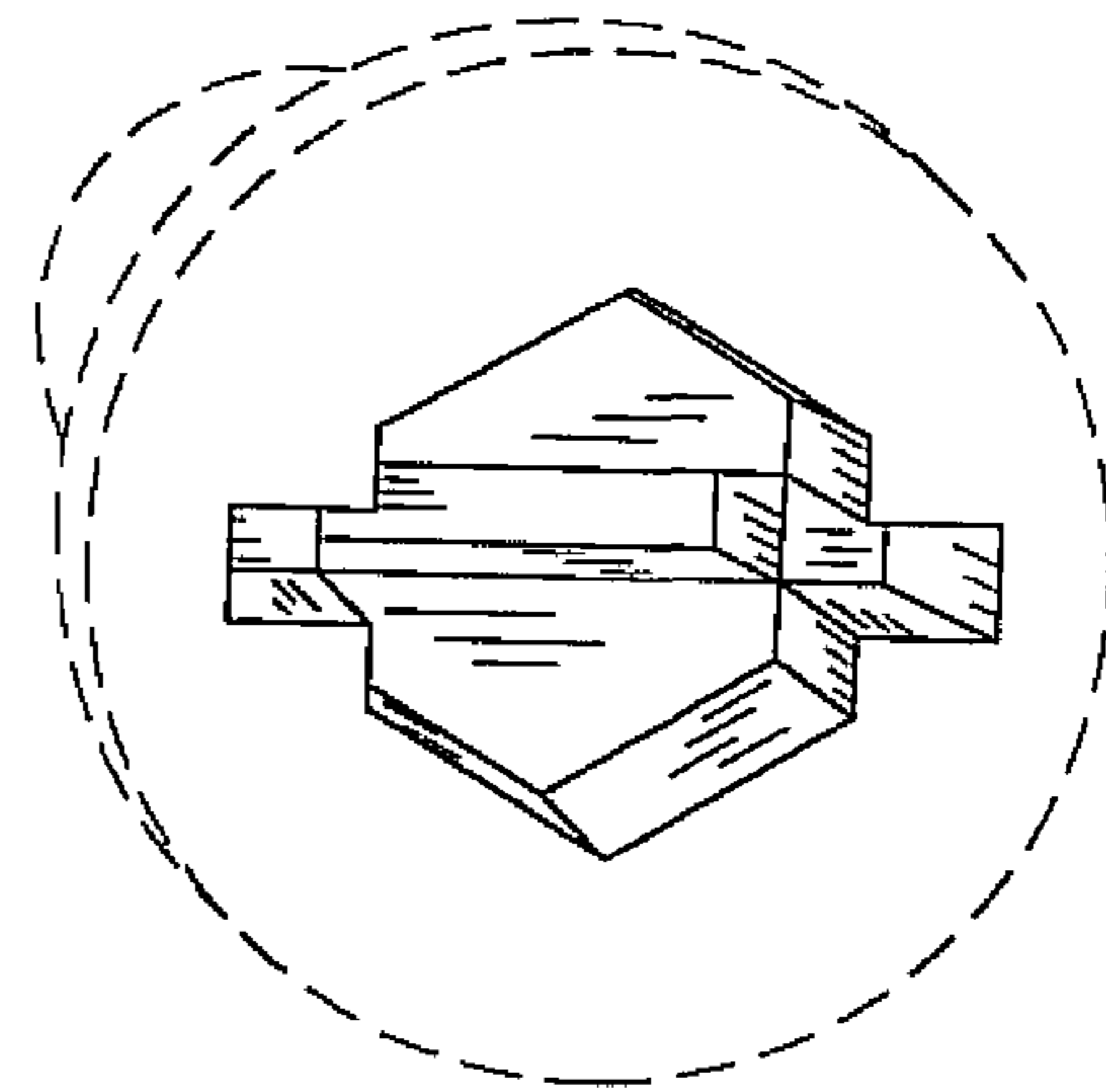


FIG. 4

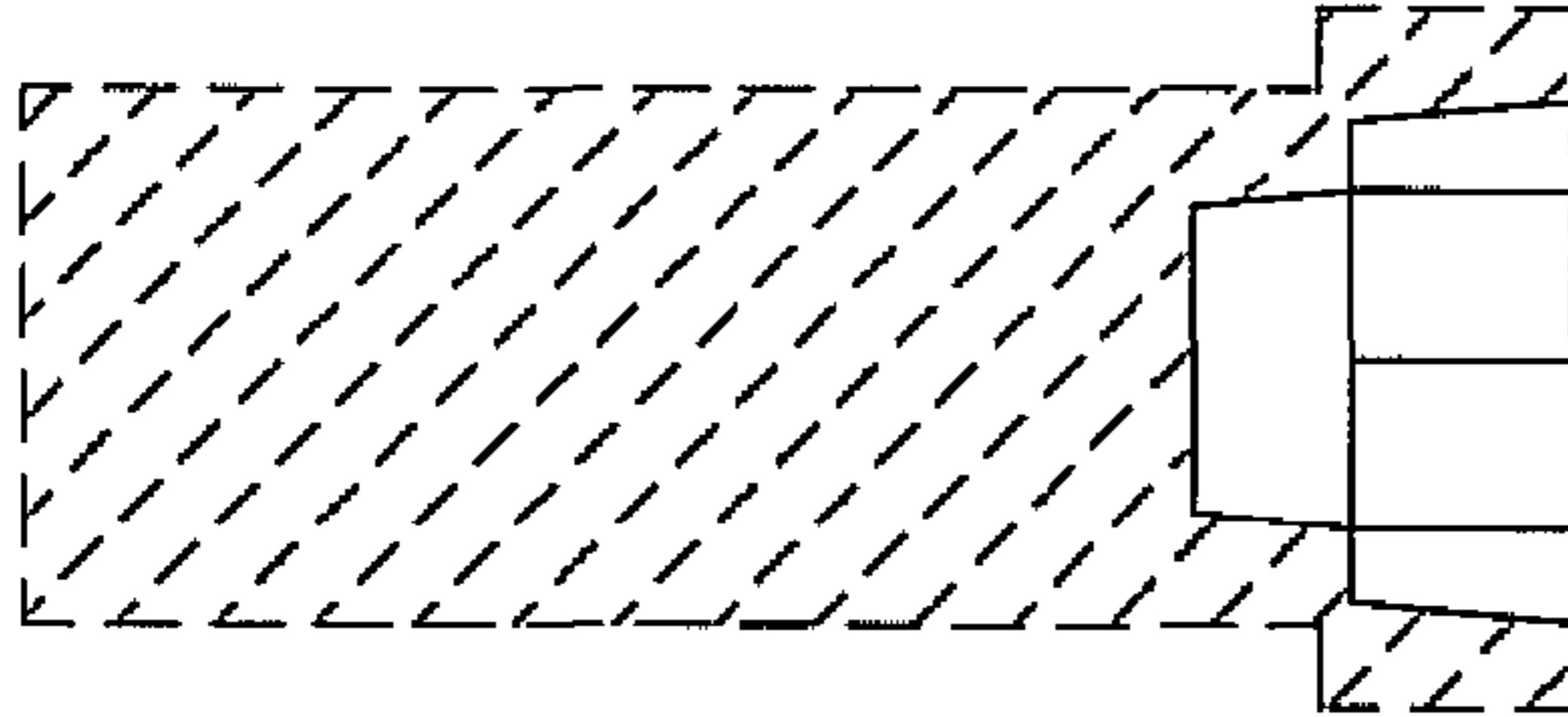


FIG. 2

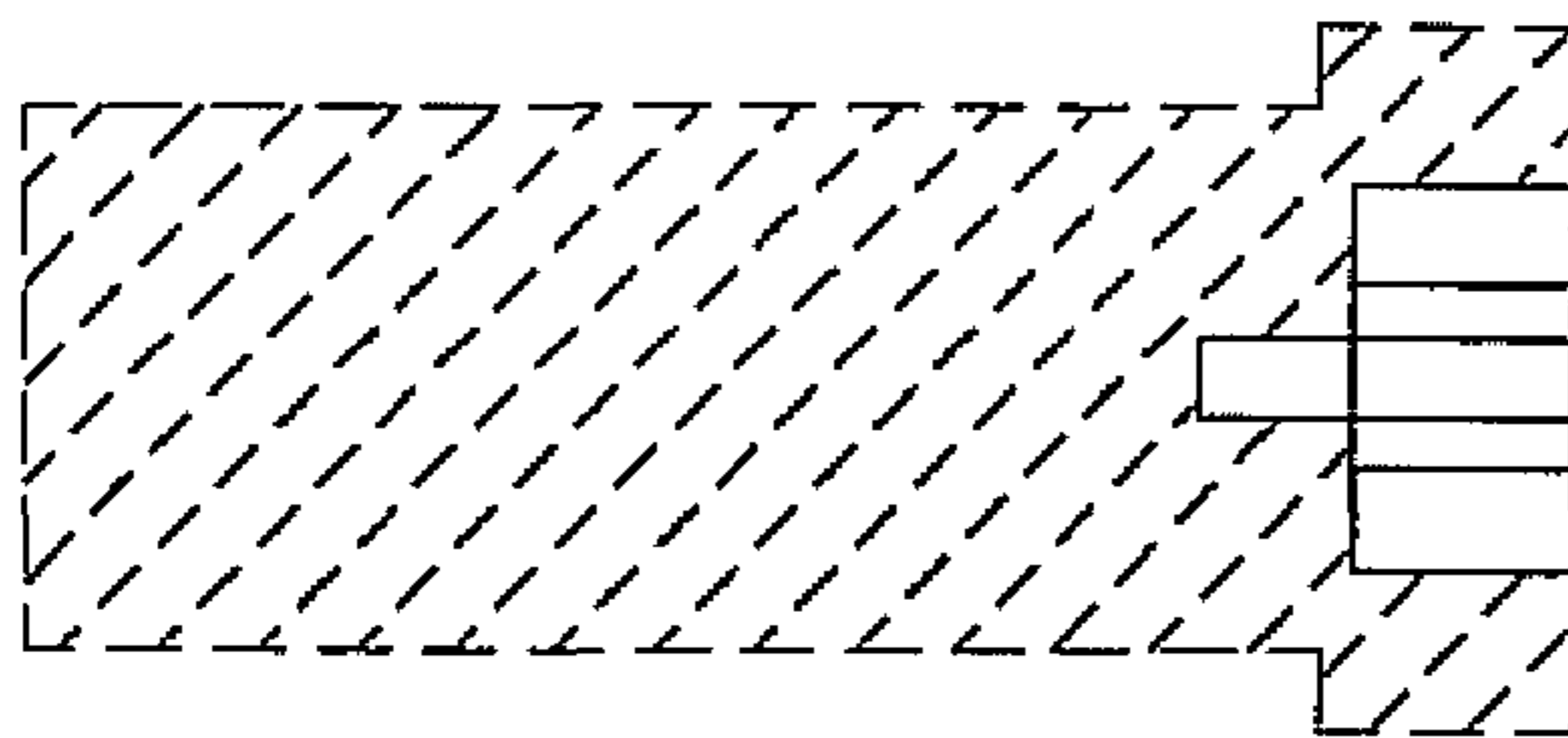


FIG. 3