



US00D647391S

(12) **United States Design Patent**
Barrese

(10) **Patent No.:** **US D647,391 S**

(45) **Date of Patent:** **** Oct. 25, 2011**

(54) **FINIAL FOR A SHOWER CURTAIN ROD**

(75) Inventor: **Charles Barrese**, Huntington, NY (US)

(73) Assignee: **Ex-Cell Home Fashions, Inc.**, New York, NY (US)

(**) Term: **14 Years**

(21) Appl. No.: **29/332,416**

(22) Filed: **Feb. 16, 2009**

(51) **LOC (9) Cl.** **08-05**

(52) **U.S. Cl.** **D8/373**

(58) **Field of Classification Search** D8/307,
D8/310, 352, 353, 367, 373, 376, 378; D23/154,
D23/238, 250; 160/348; 211/105.1, 105.2;
248/200, 251, 261, 262, 264

See application file for complete search history.

(56) **References Cited**

U.S. PATENT DOCUMENTS

D208,493	S *	9/1967	Yokich	D8/380
4,549,755	A *	10/1985	Kot et al.	285/341
D293,987	S *	2/1988	Raferly	D6/499
D318,590	S *	7/1991	McKeone	D6/524
D340,638	S	10/1993	Campbell		
5,310,359	A *	5/1994	Chadbourne et al.	439/462
D375,253	S *	11/1996	Campbell	D8/380
D383,053	S *	9/1997	Schrader et al.	D8/382
D423,340	S *	4/2000	Sittig	D8/374
6,672,519	B2 *	1/2004	Hunter et al.	239/290
D498,412	S *	11/2004	Pehta et al.	D8/374
D522,845	S *	6/2006	Suero	D8/376
D543,754	S *	6/2007	Bauer et al.	D6/550
D547,165	S	7/2007	Barrese		
D547,166	S	7/2007	Barrese		
D547,167	S	7/2007	Barrese		
7,311,554	B1 *	12/2007	Jackson et al.	439/584
D584,133	S *	1/2009	Stubdrup	D8/363
7,563,061	B2 *	7/2009	Gibbons et al.	408/240
2008/0245940	A1 *	10/2008	Brown	248/251

* cited by examiner

Primary Examiner — Patricia Palasik

(74) *Attorney, Agent, or Firm* — Alston & Bird LLP

(57) **CLAIM**

The ornamental design for a finial for a shower curtain rod, as shown and described.

DESCRIPTION

FIG. 1 is a perspective view of a finial for a shower curtain rod showing an embodiment of my new design, shown with a shower curtain rod;

FIG. 2 is a side elevation view thereof, the opposing side, top, and bottom views being a mirror image thereof;

FIG. 3 is a front elevation view thereof;

FIG. 4 is a rear elevation view thereof;

FIG. 5 is a cross-section view thereof taken along line 5-5 of FIG. 3;

FIG. 6 is another perspective view thereof shown without a shower curtain rod;

FIG. 7 is a front elevation view thereof;

FIG. 8 is a perspective view of a finial for a shower curtain rod showing another embodiment of my new design;

FIG. 9 is a side elevation view thereof, the opposing side, top, and bottom views being a mirror image thereof;

FIG. 10 is a front elevation view thereof;

FIG. 11 is a rear elevation view thereof;

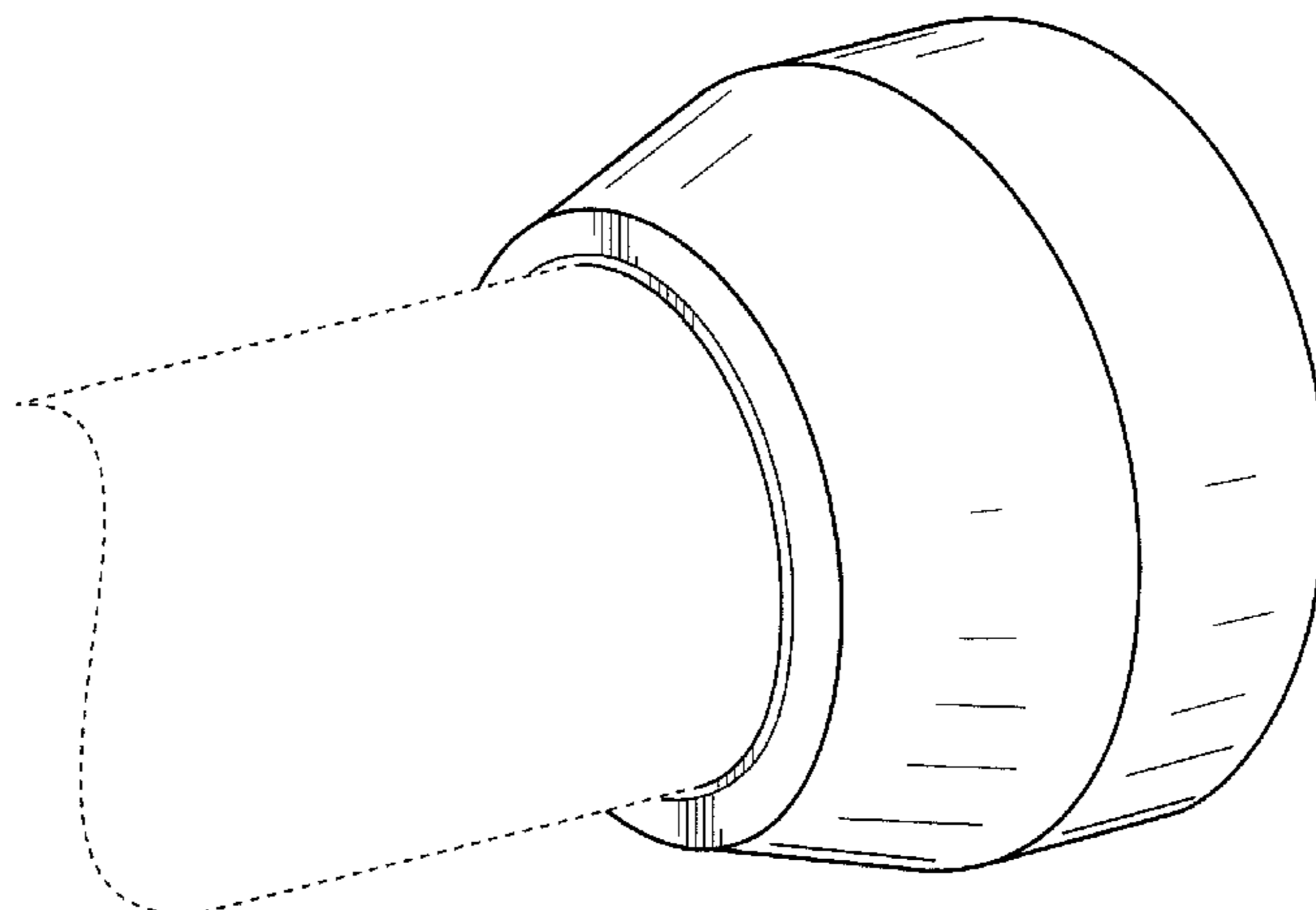
FIG. 12 is a cross-section view thereof taken along line 12-12 of FIG. 10;

FIG. 13 is another perspective view thereof shown without a shower curtain rod; and,

FIG. 14 is a front elevation view thereof.

Broken lines shown herein for illustrative purposes or which define the bounds of the claimed design form no part of the claimed design.

1 Claim, 14 Drawing Sheets



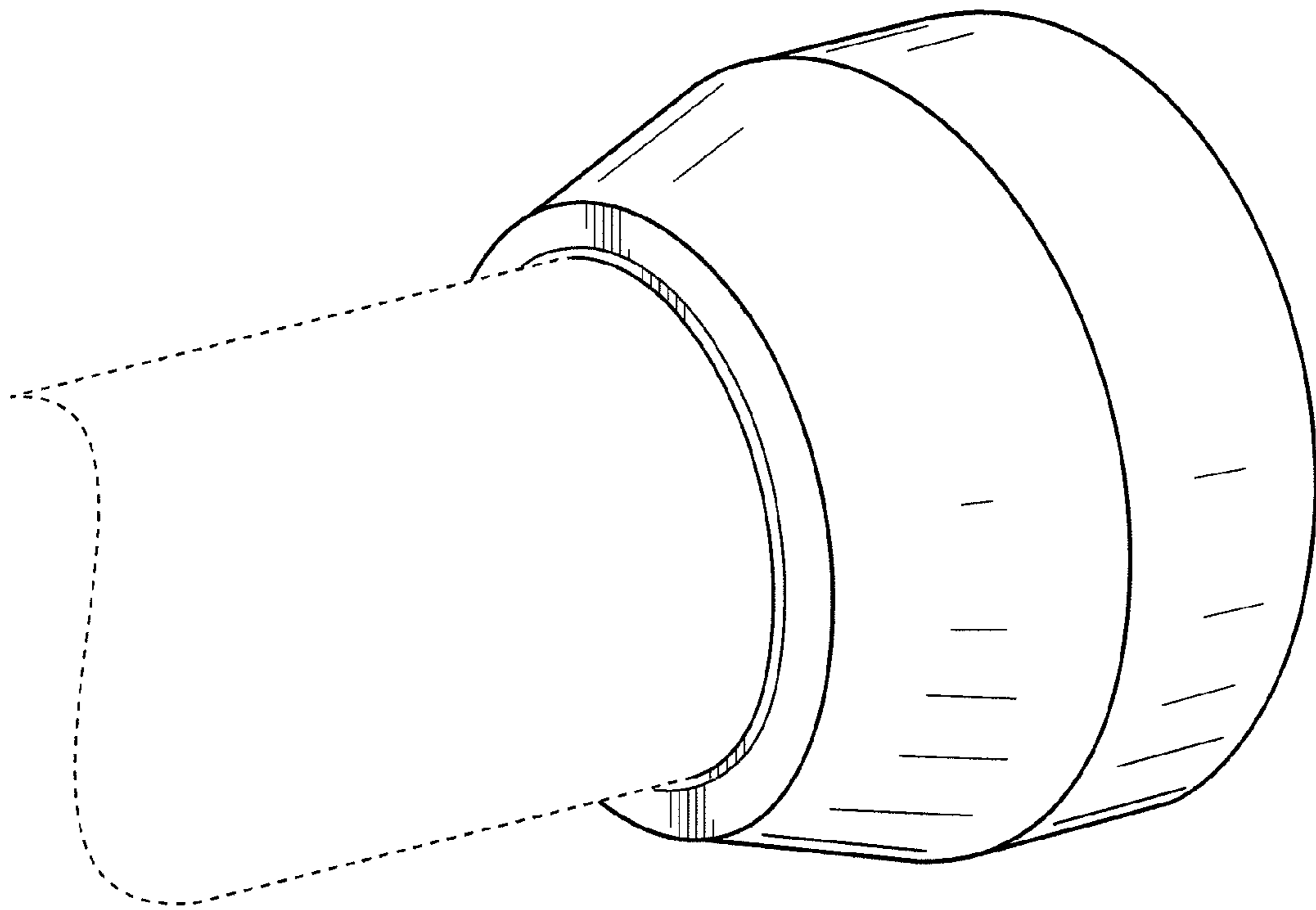


FIG. 1

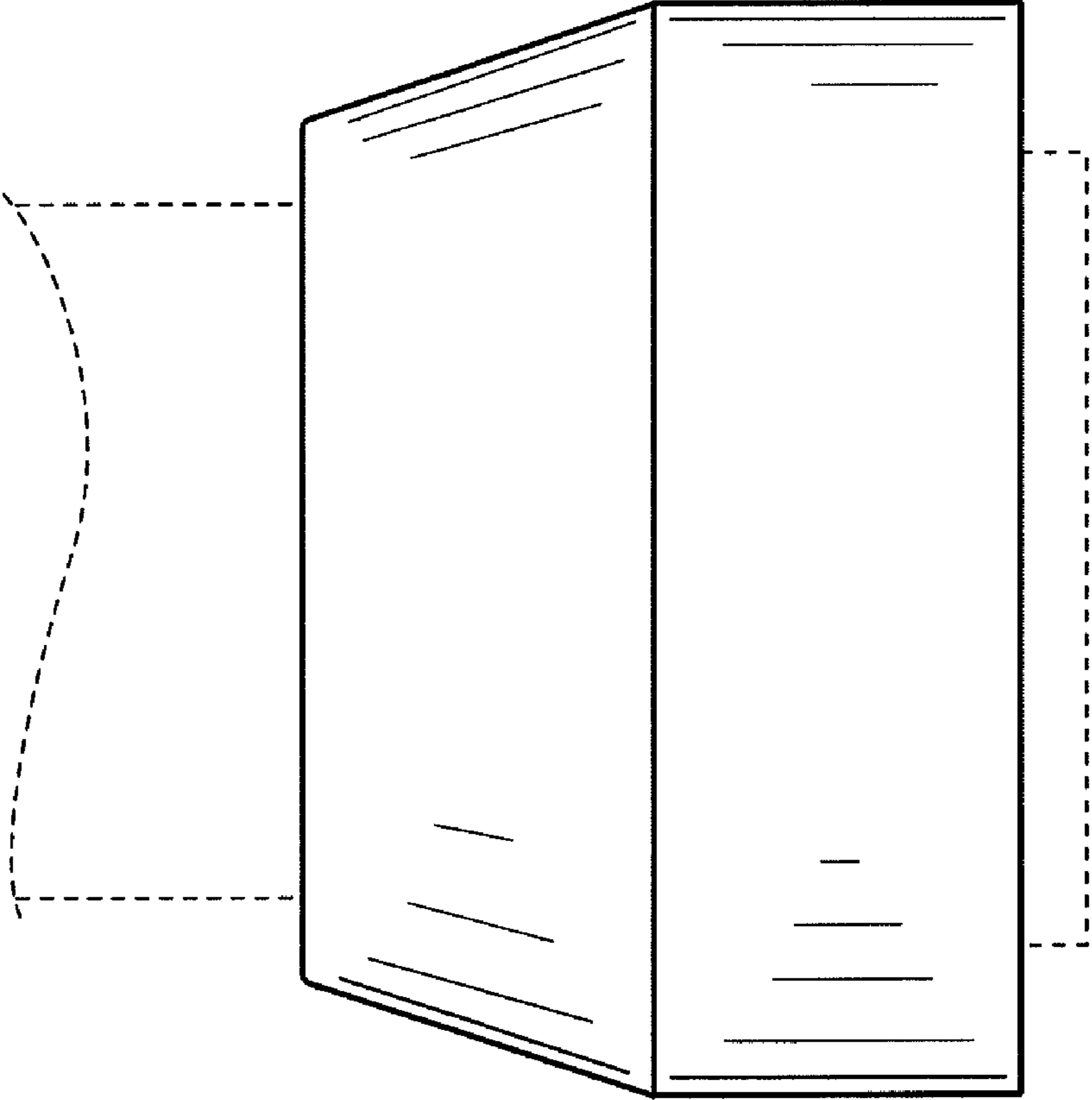


FIG. 2

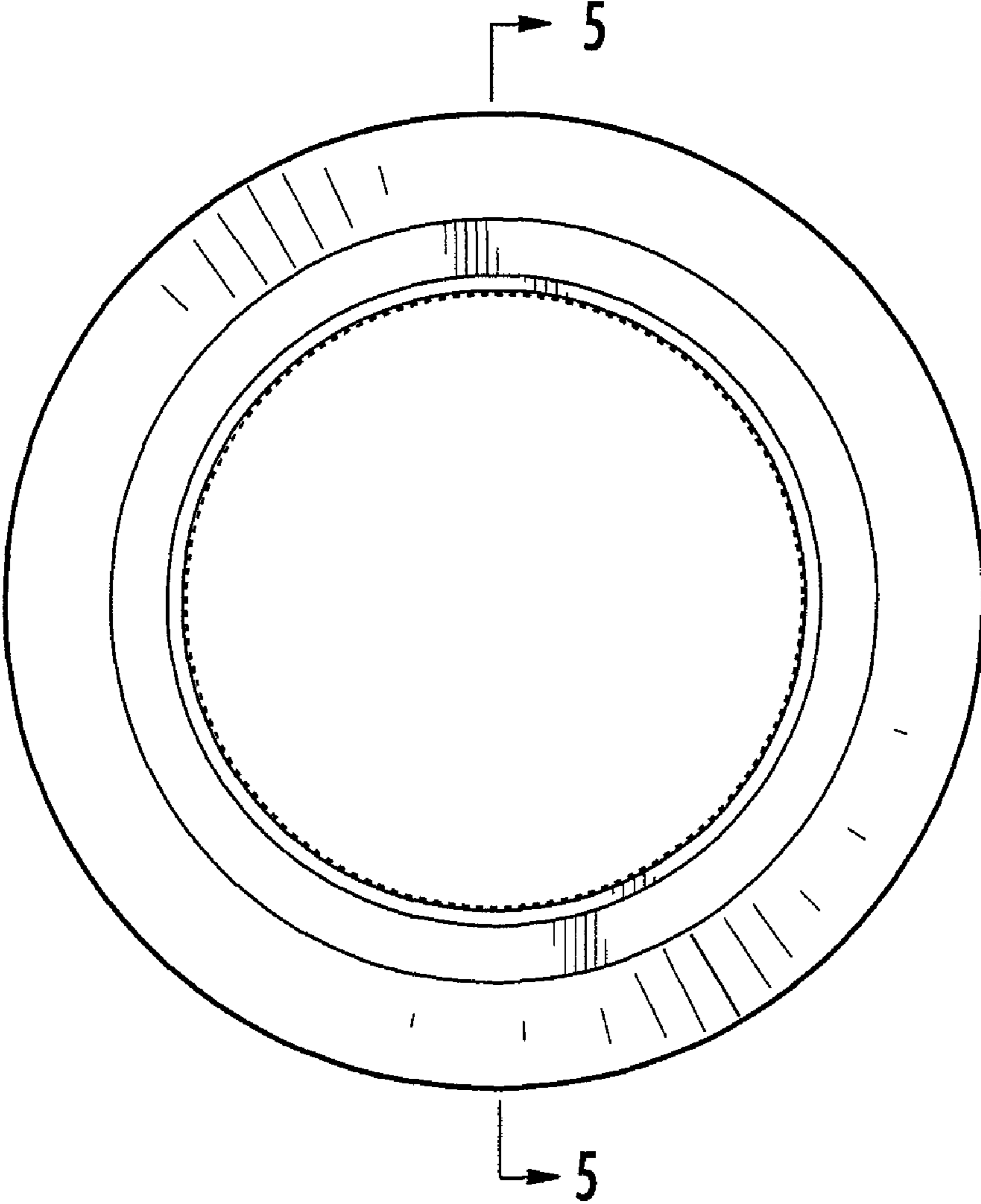


FIG. 3

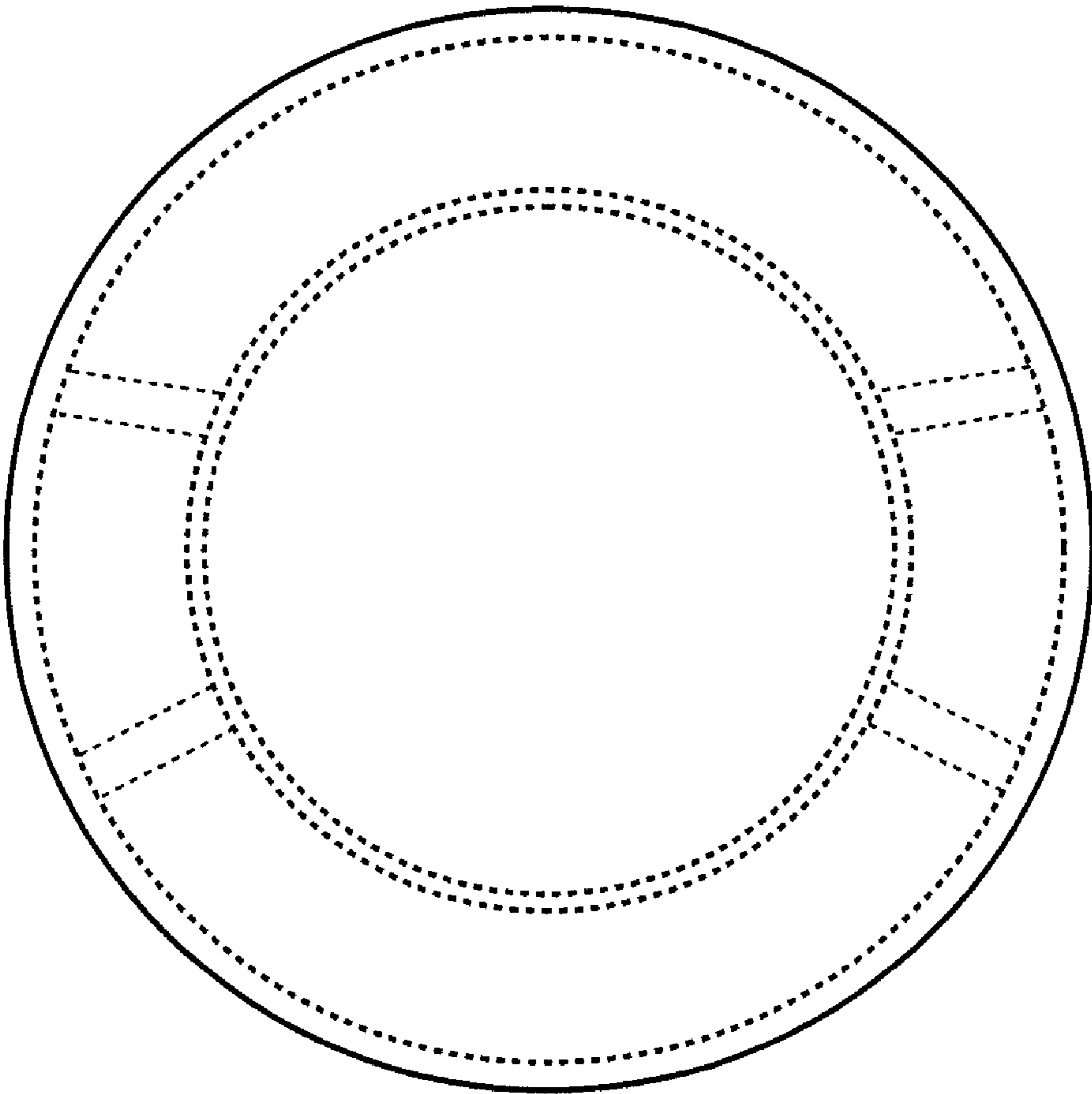


FIG. 4

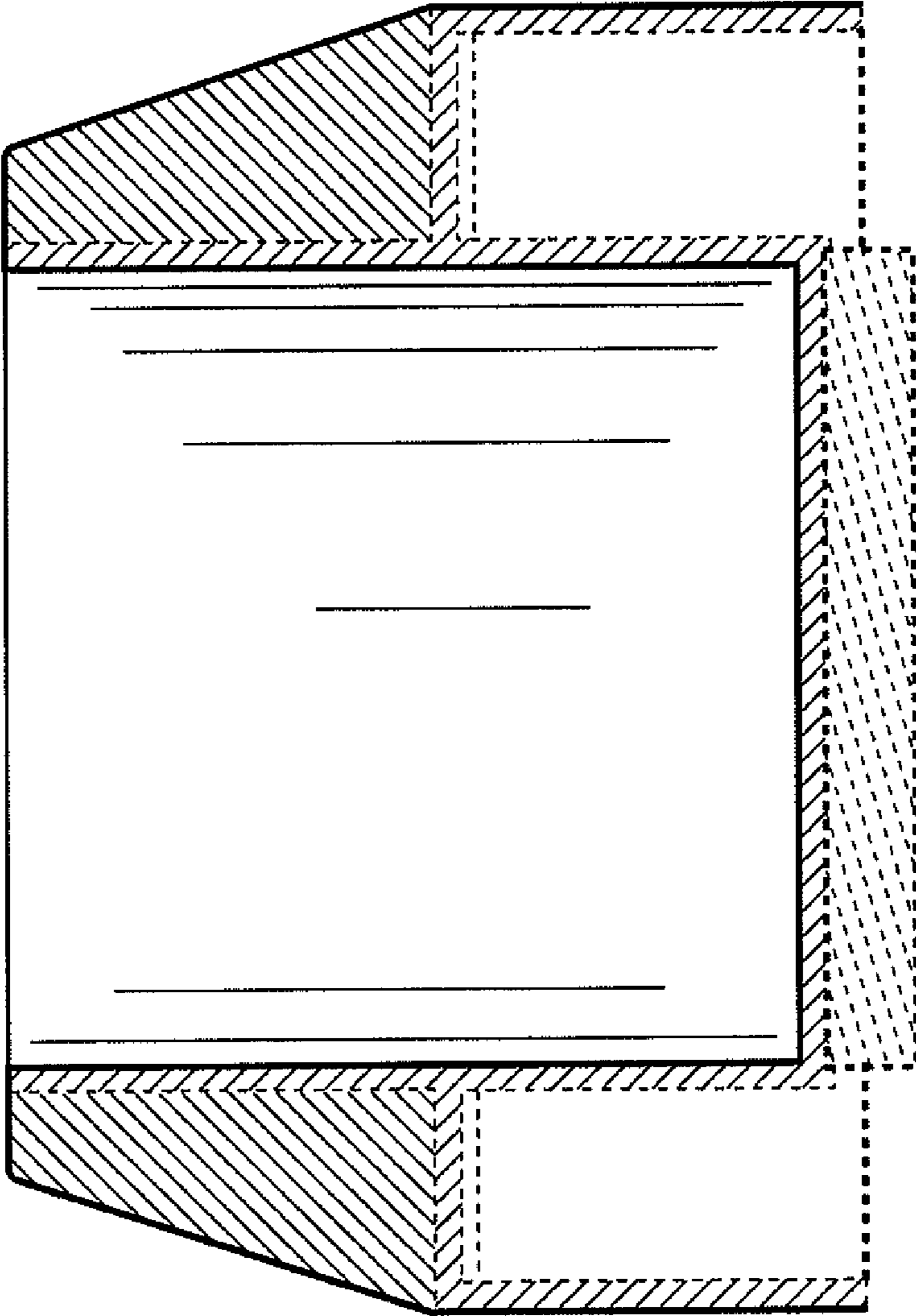


FIG. 5

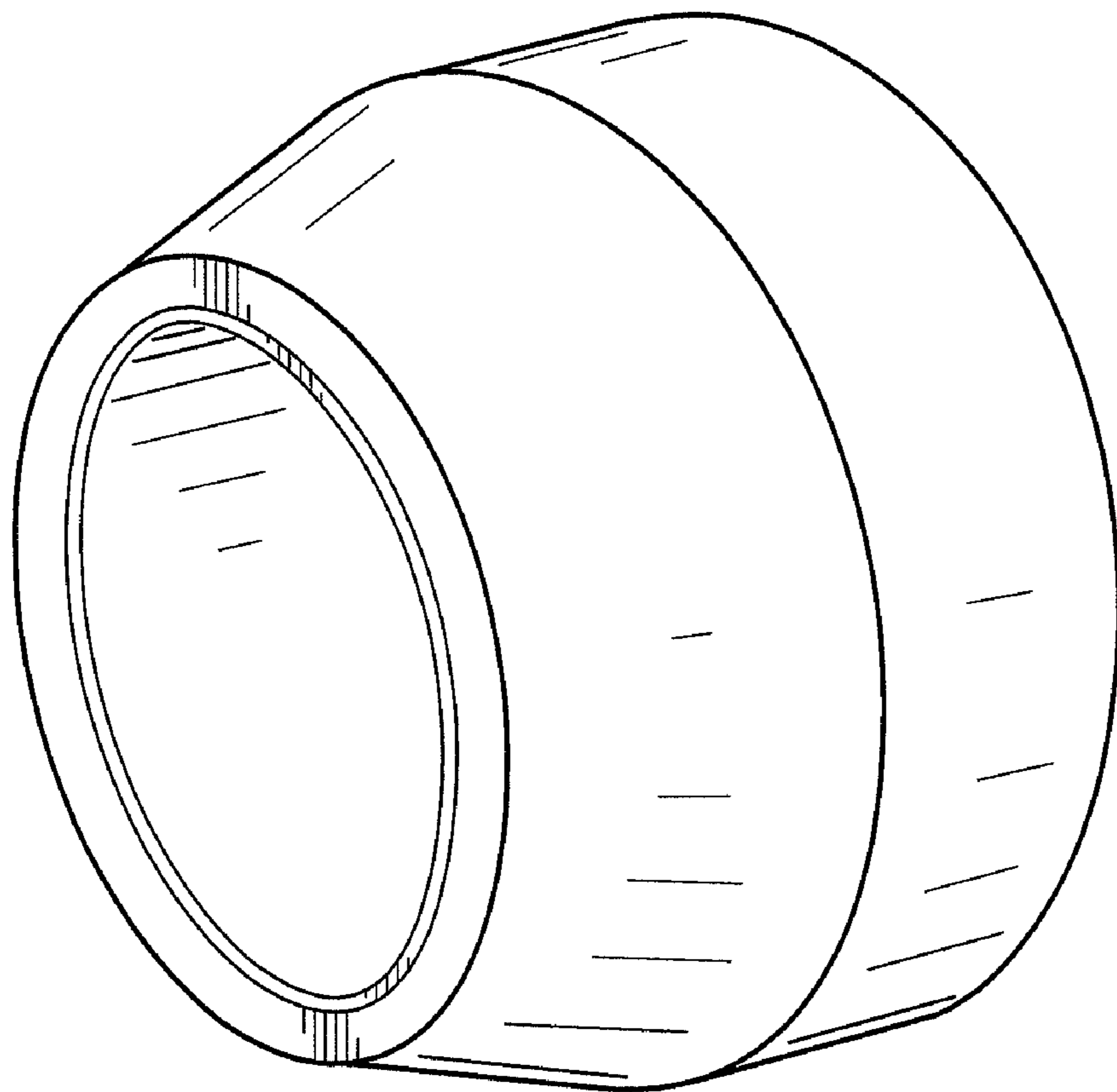


FIG. 6

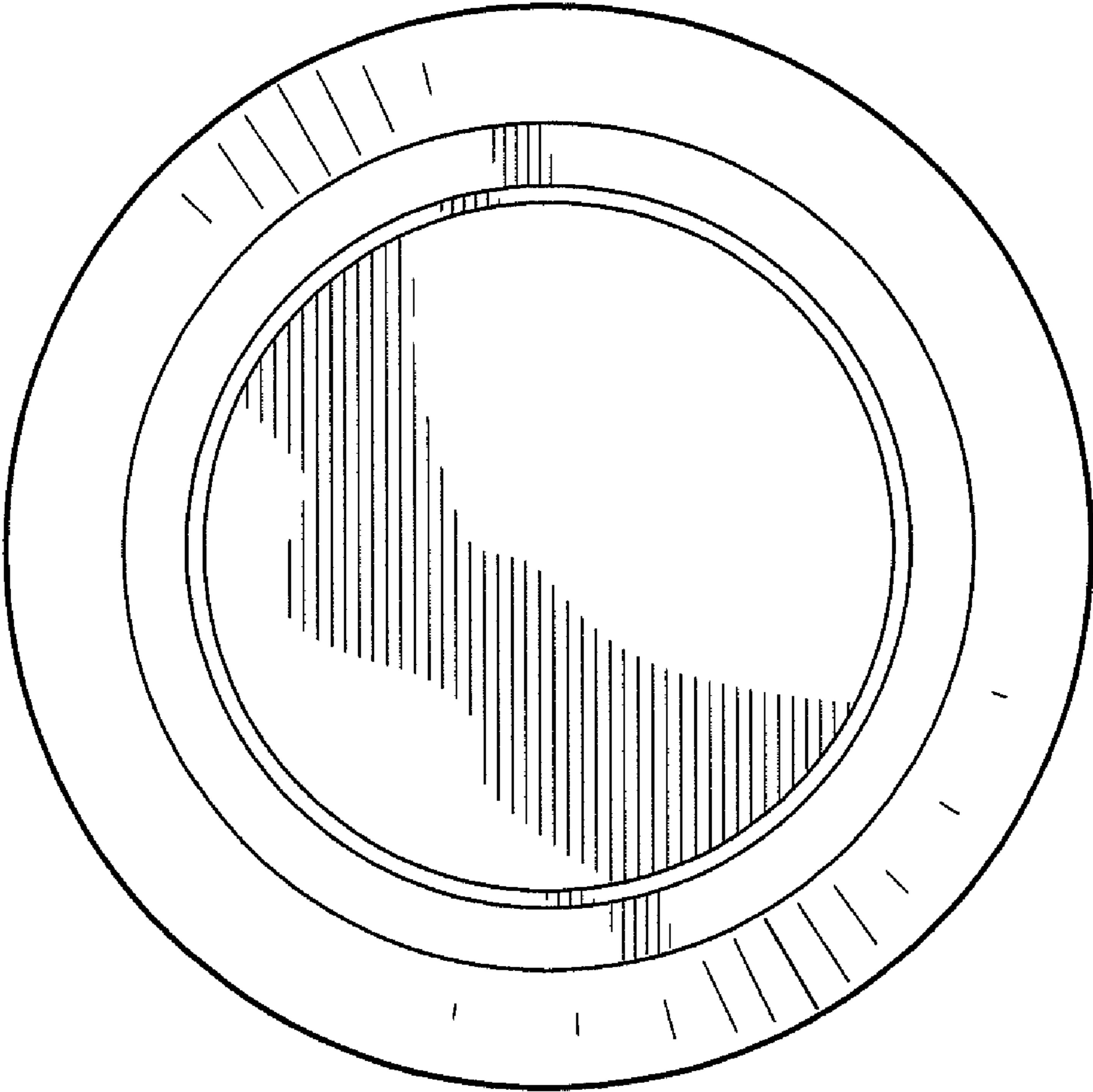


FIG. 7

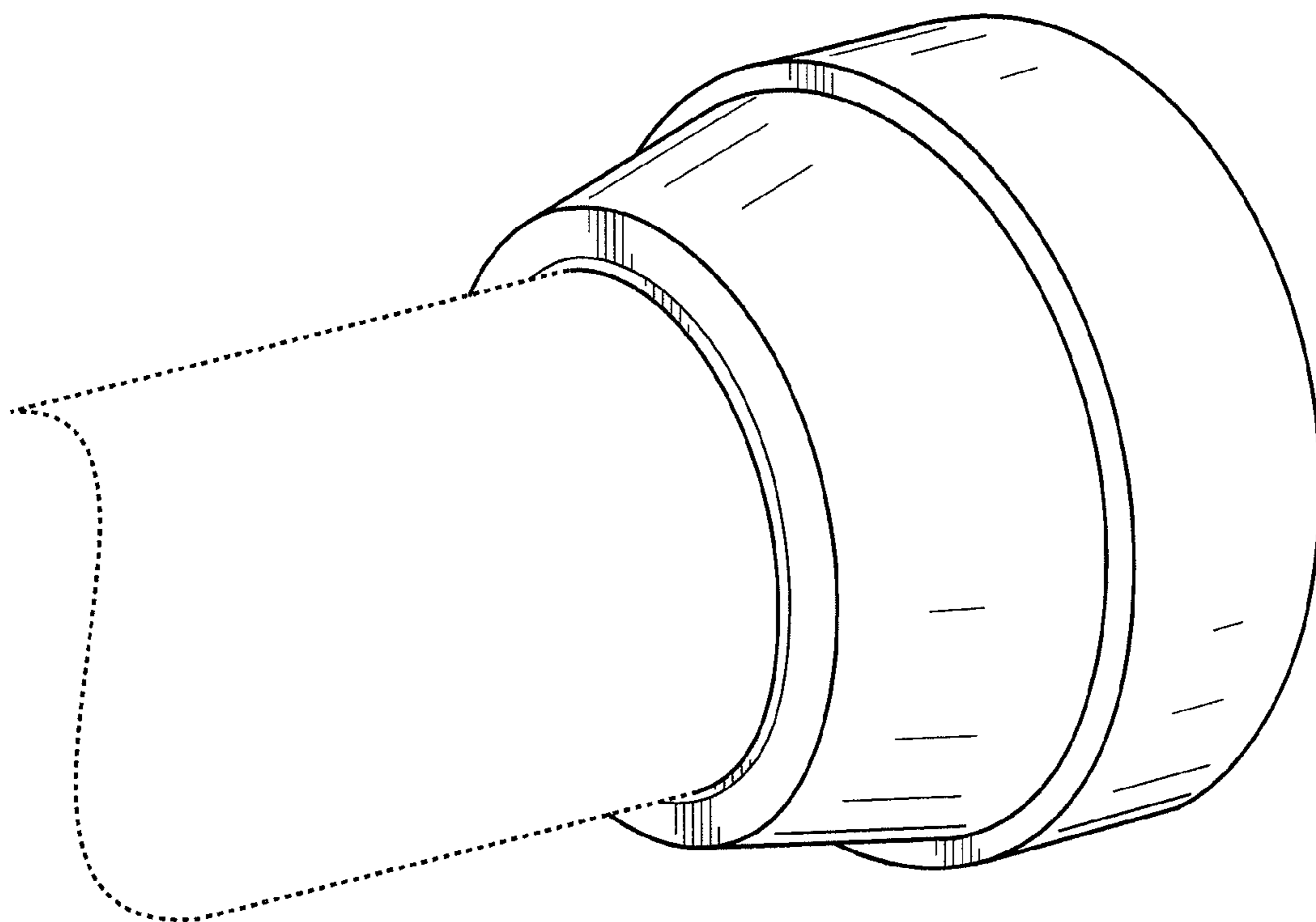


FIG. 8

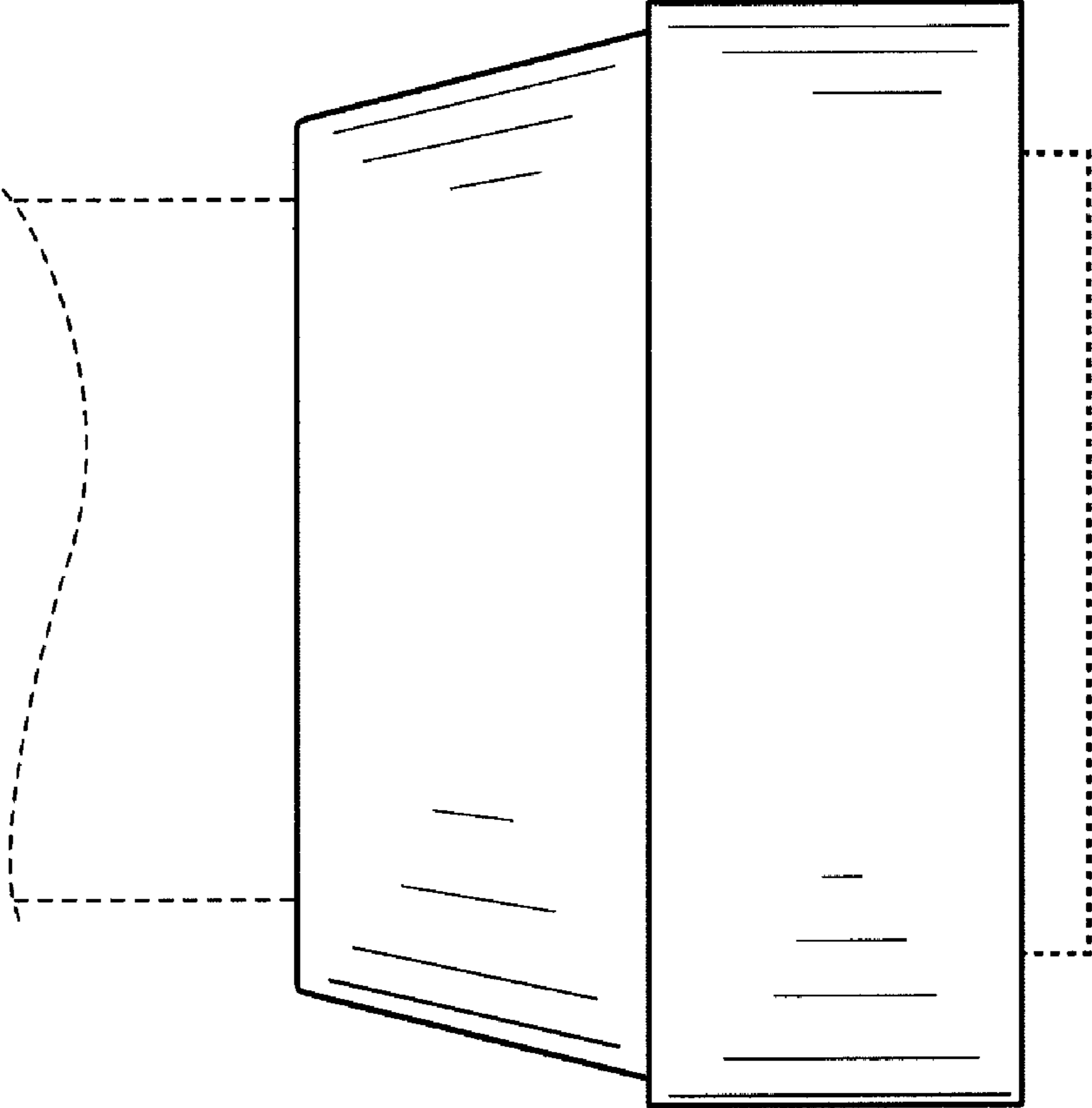


FIG. 9

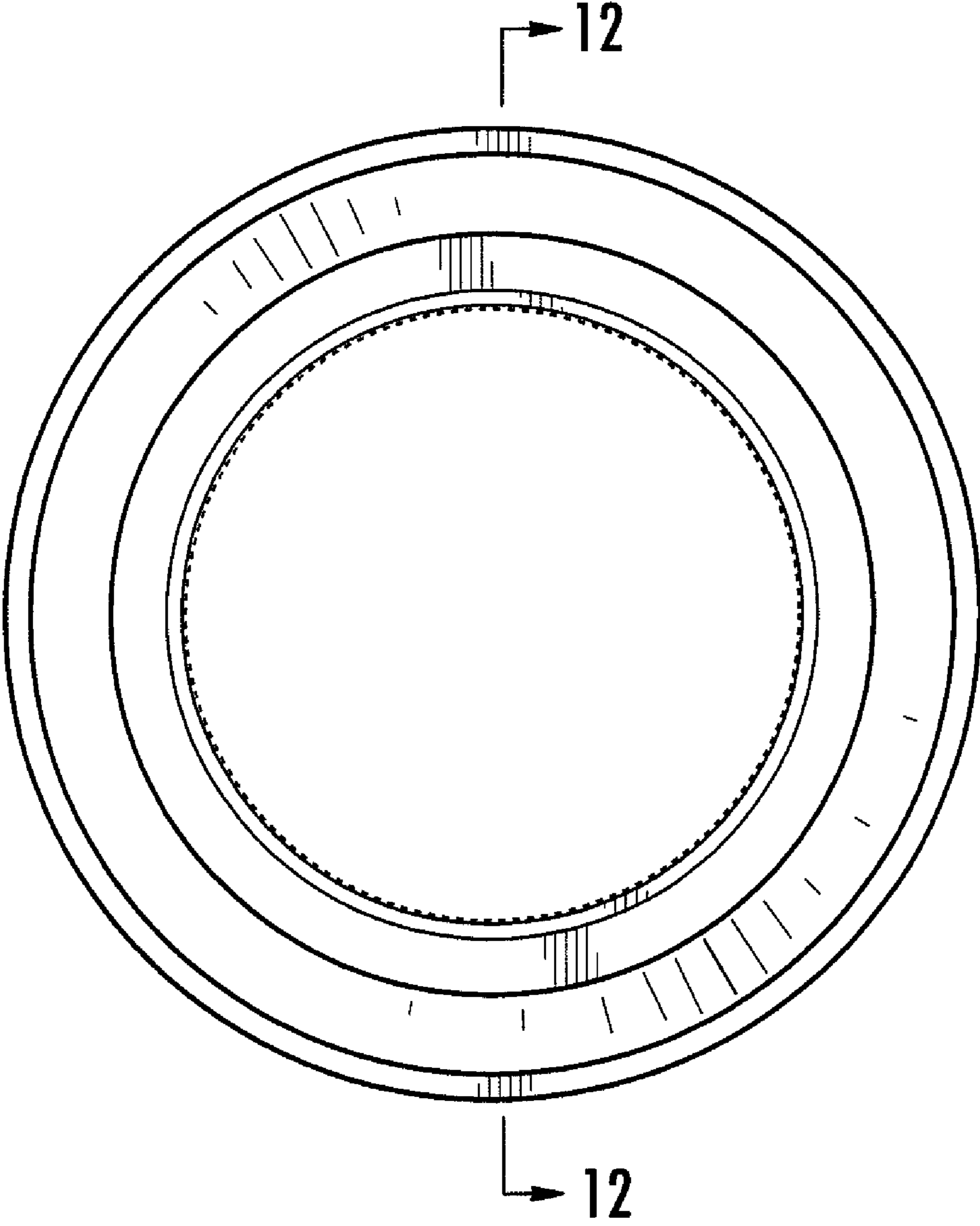


FIG. 10

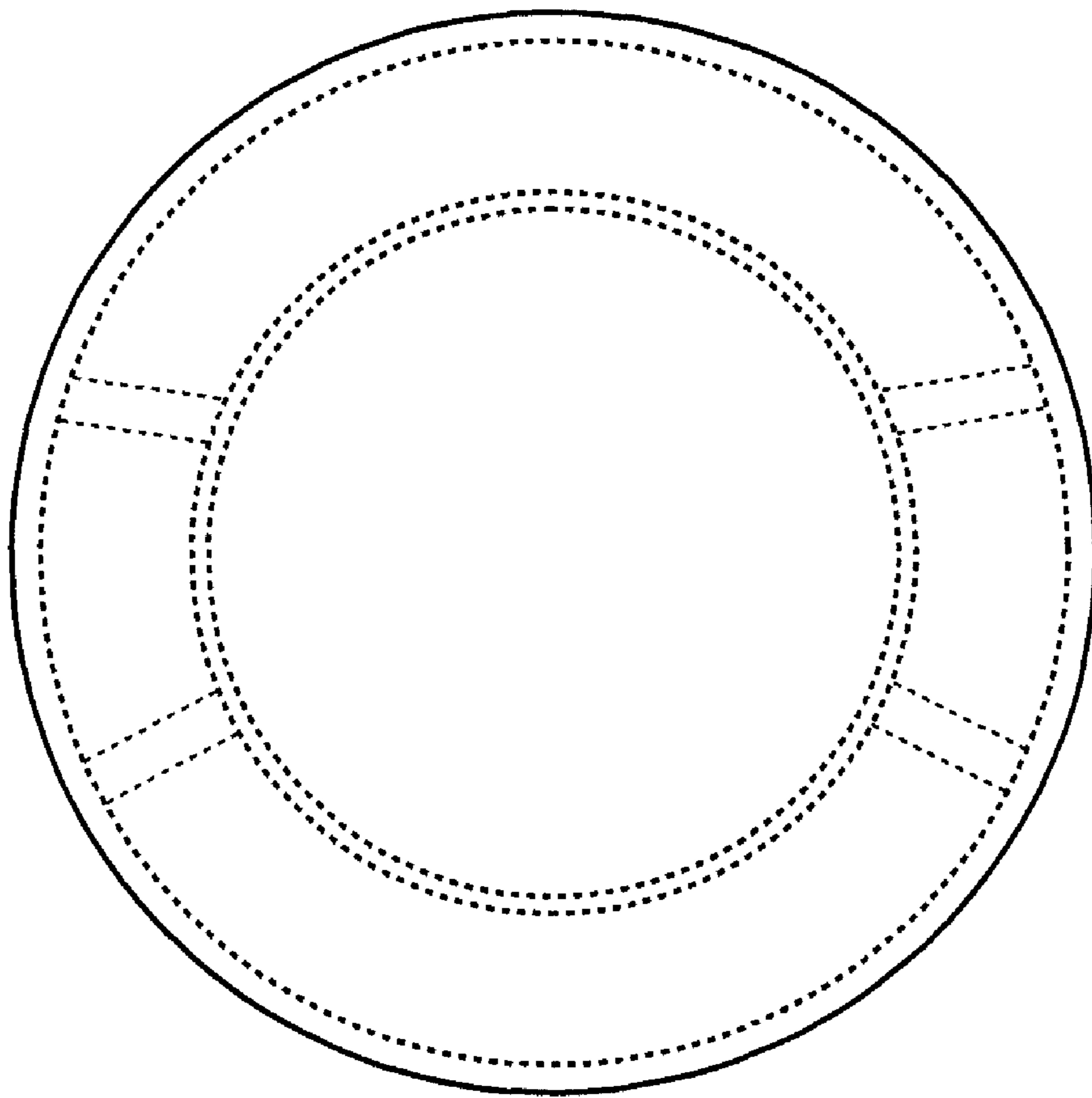


FIG. 11

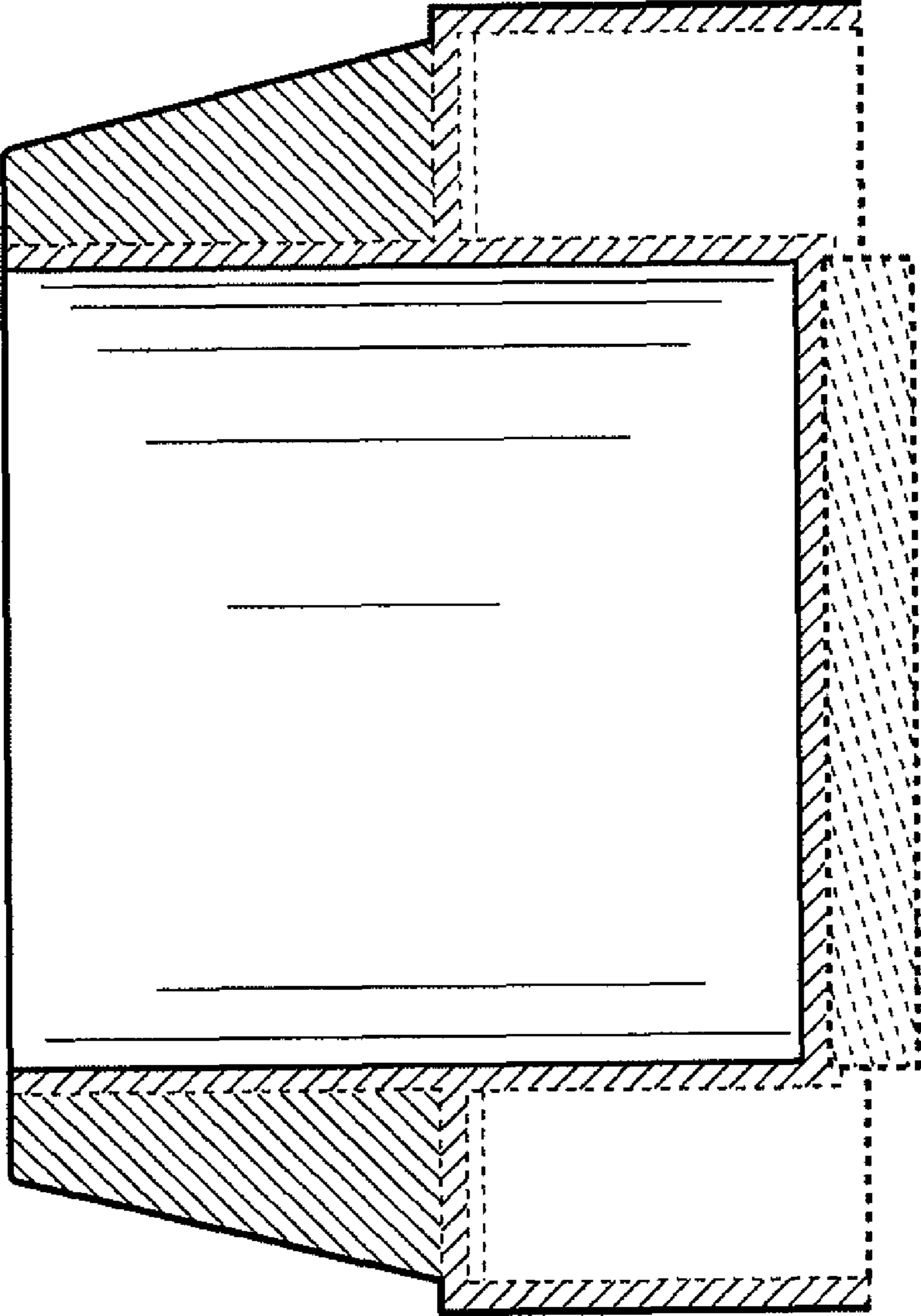


FIG. 12

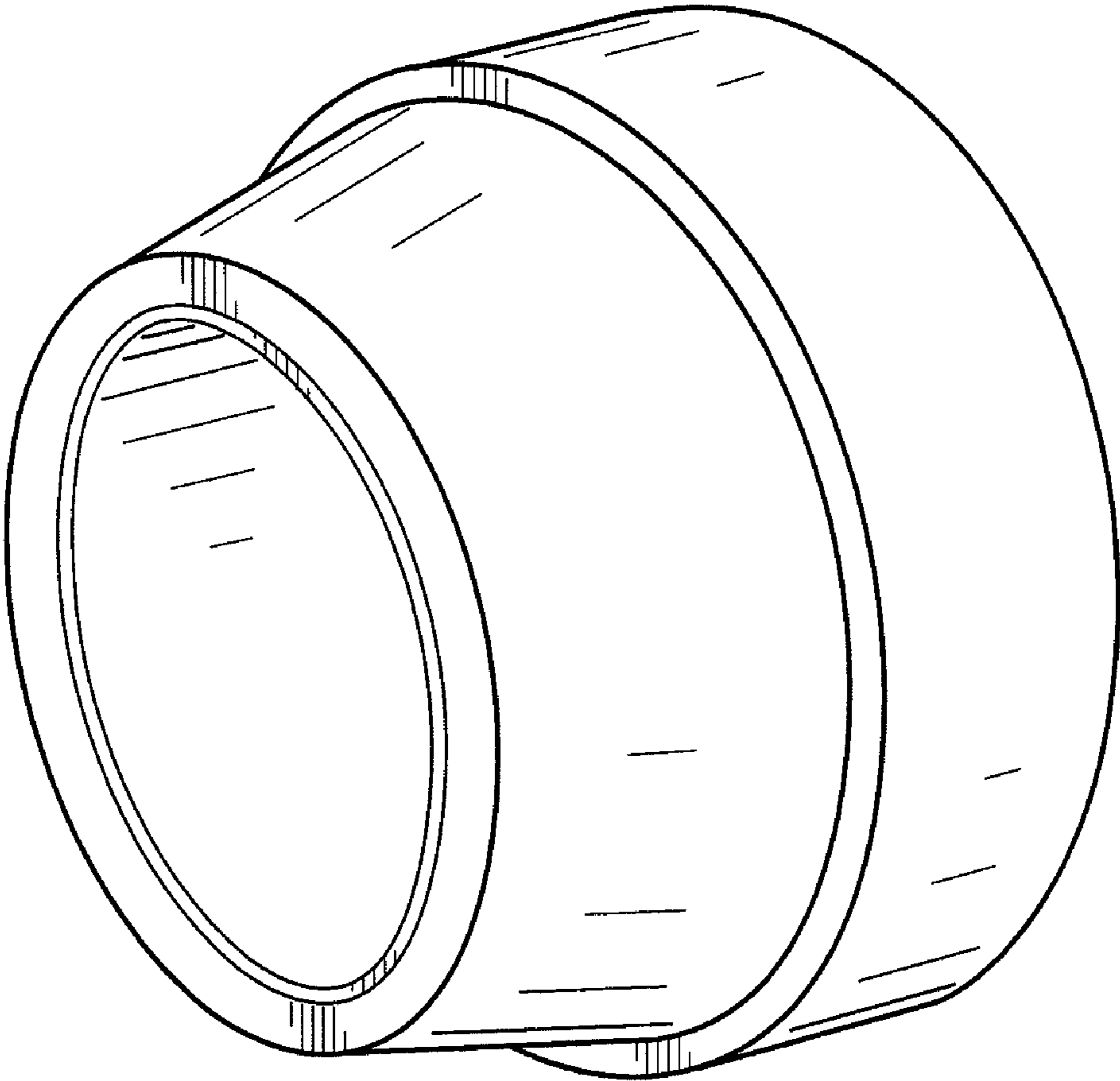


FIG. 13

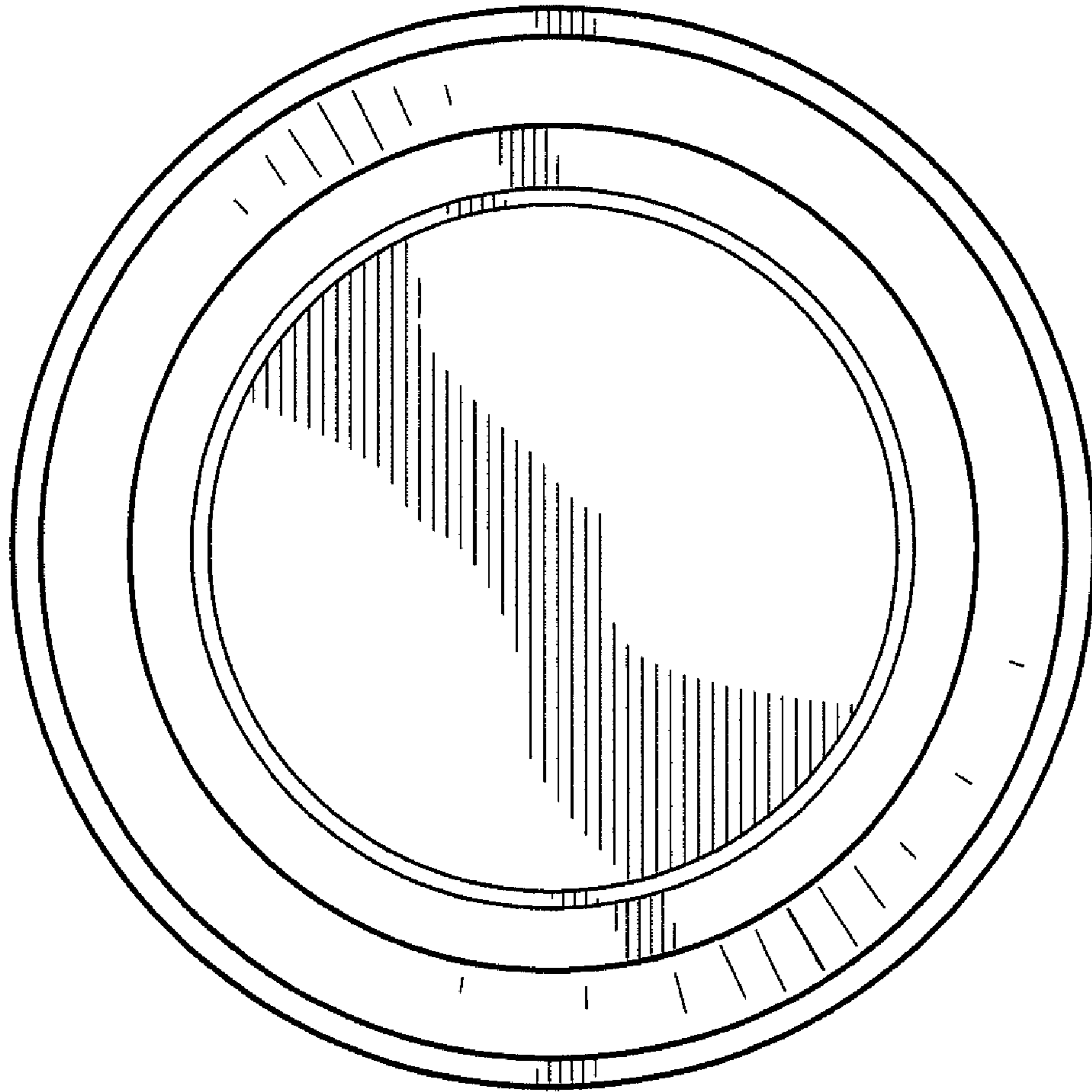


FIG. 14