



US00D647389S

(12) **United States Design Patent**  
**Gracia**

(10) **Patent No.:** **US D647,389 S**

(45) **Date of Patent:** **\*\* Oct. 25, 2011**

(54) **HOOK FOR HANGING**

(75) Inventor: **Carles Gusi Gracia**, Barcelona (ES)

(73) Assignee: **Gerox Works, S.L.**, Barcelona (ES)

(\*\*) Term: **14 Years**

(21) Appl. No.: **29/379,287**

(22) Filed: **Nov. 17, 2010**

(51) **LOC (9) Cl.** ..... **08-05**

(52) **U.S. Cl.** ..... **D8/367**

(58) **Field of Classification Search** ..... D8/367,  
D8/373; 248/301, 304, 214-215, 496-498  
See application file for complete search history.

(56) **References Cited**

U.S. PATENT DOCUMENTS

674,438	A *	5/1901	Edmundson	248/301
5,509,632	A *	4/1996	Mesna et al.	248/301
D566,532	S *	4/2008	Wolff	D8/367
D584,939	S *	1/2009	Snell	D8/367
D613,589	S *	4/2010	Goodman et al.	D8/367

\* cited by examiner

*Primary Examiner* — Holly Baynham

(74) *Attorney, Agent, or Firm* — Smith, Gambrell & Russell

(57) **CLAIM**

The ornamental design for a hook for hanging, as shown and described.

**DESCRIPTION**

FIG. 1 is a right front perspective view of the hook for hanging of the present design.

FIG. 2 is a front view of the hook for hanging of the present design.

FIG. 3 is a top view of the hook for hanging of the present design.

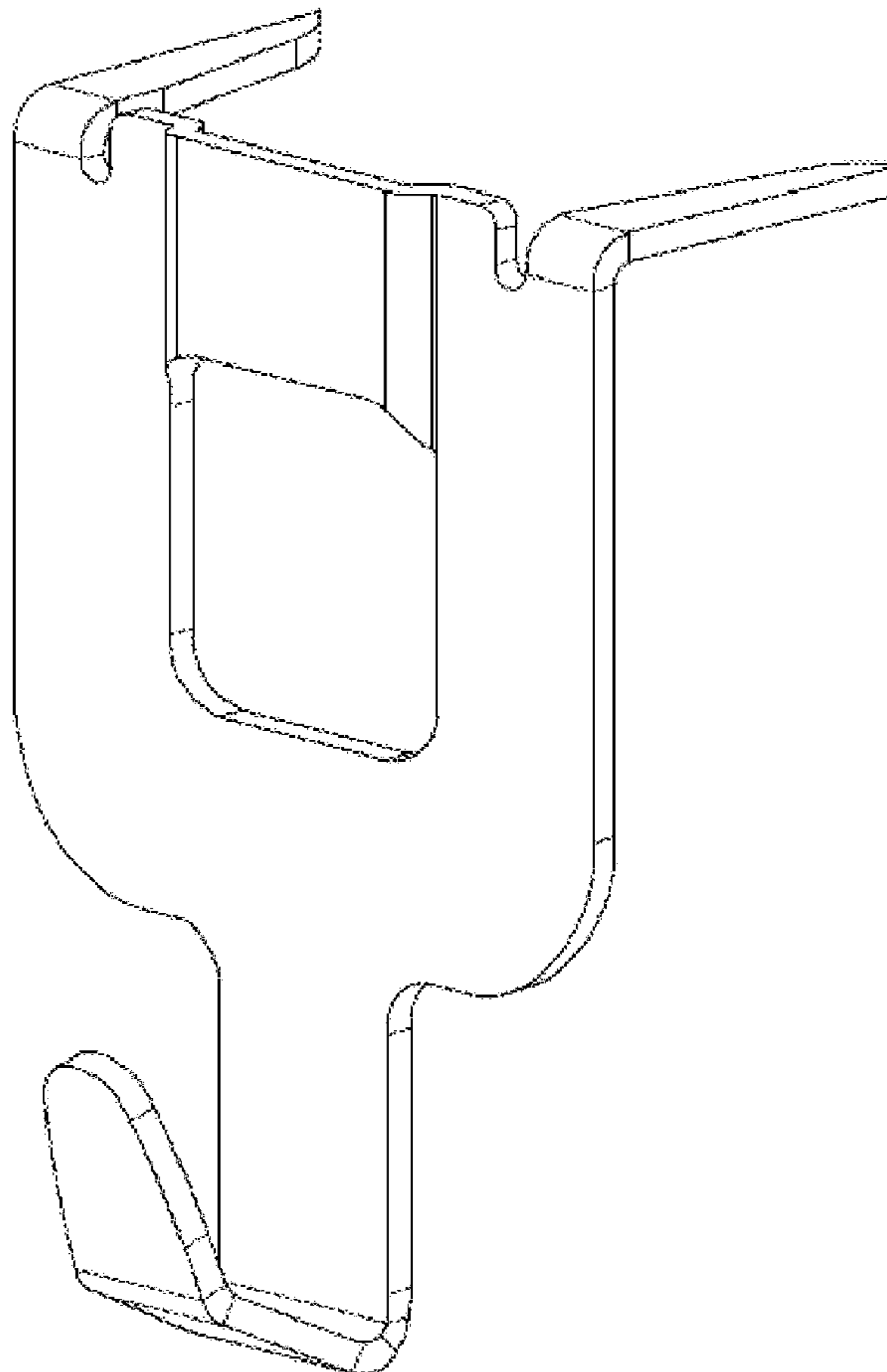
FIG. 4 is a left side view of the hook for hanging of the present design.

FIG. 5 is a back view of the hook for hanging of the present design.

FIG. 6 is a bottom view of the hook for hanging of the present design; and,

FIG. 7 is a right view of the hook for hanging of the present design.

**1 Claim, 7 Drawing Sheets**



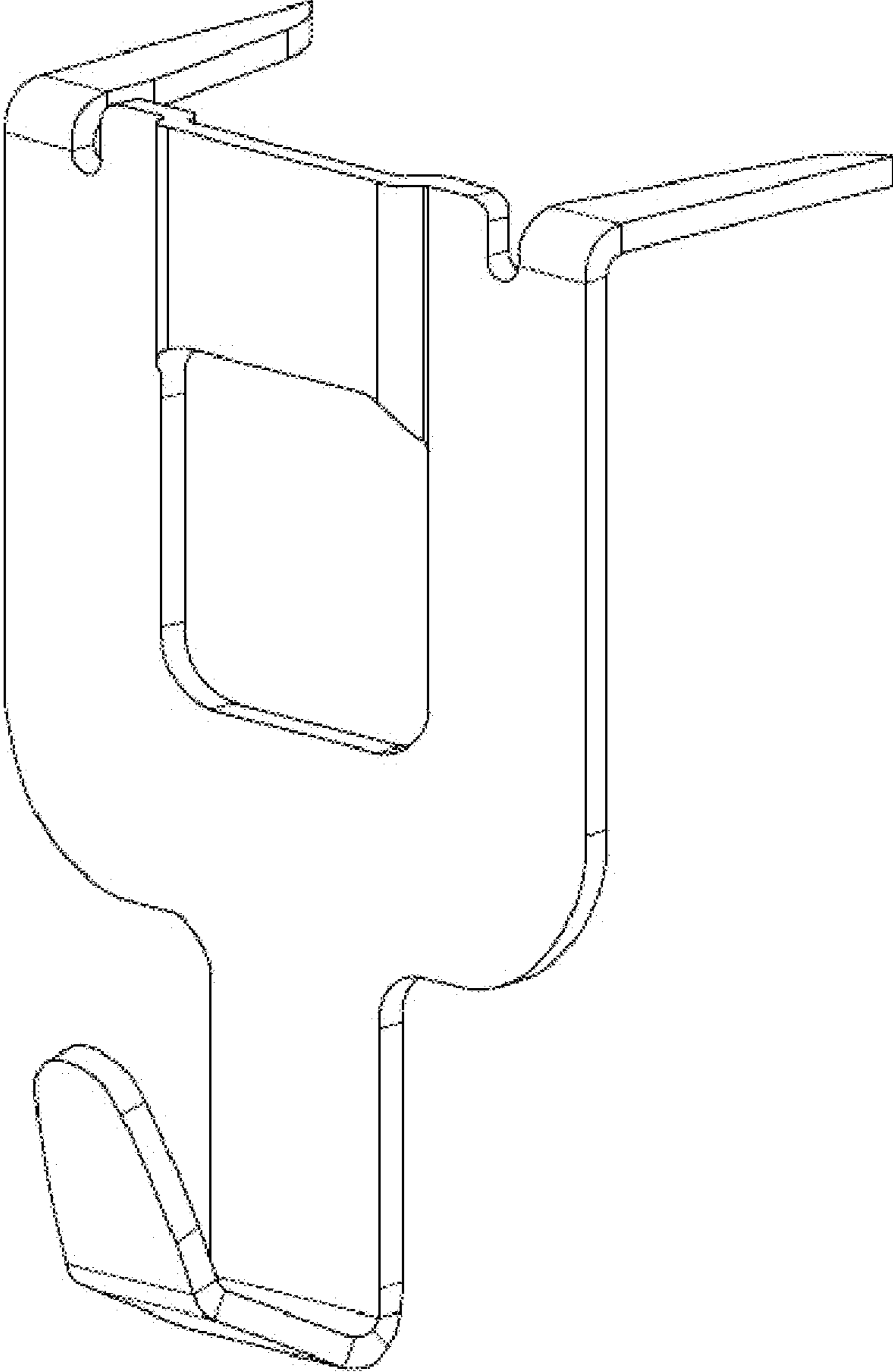
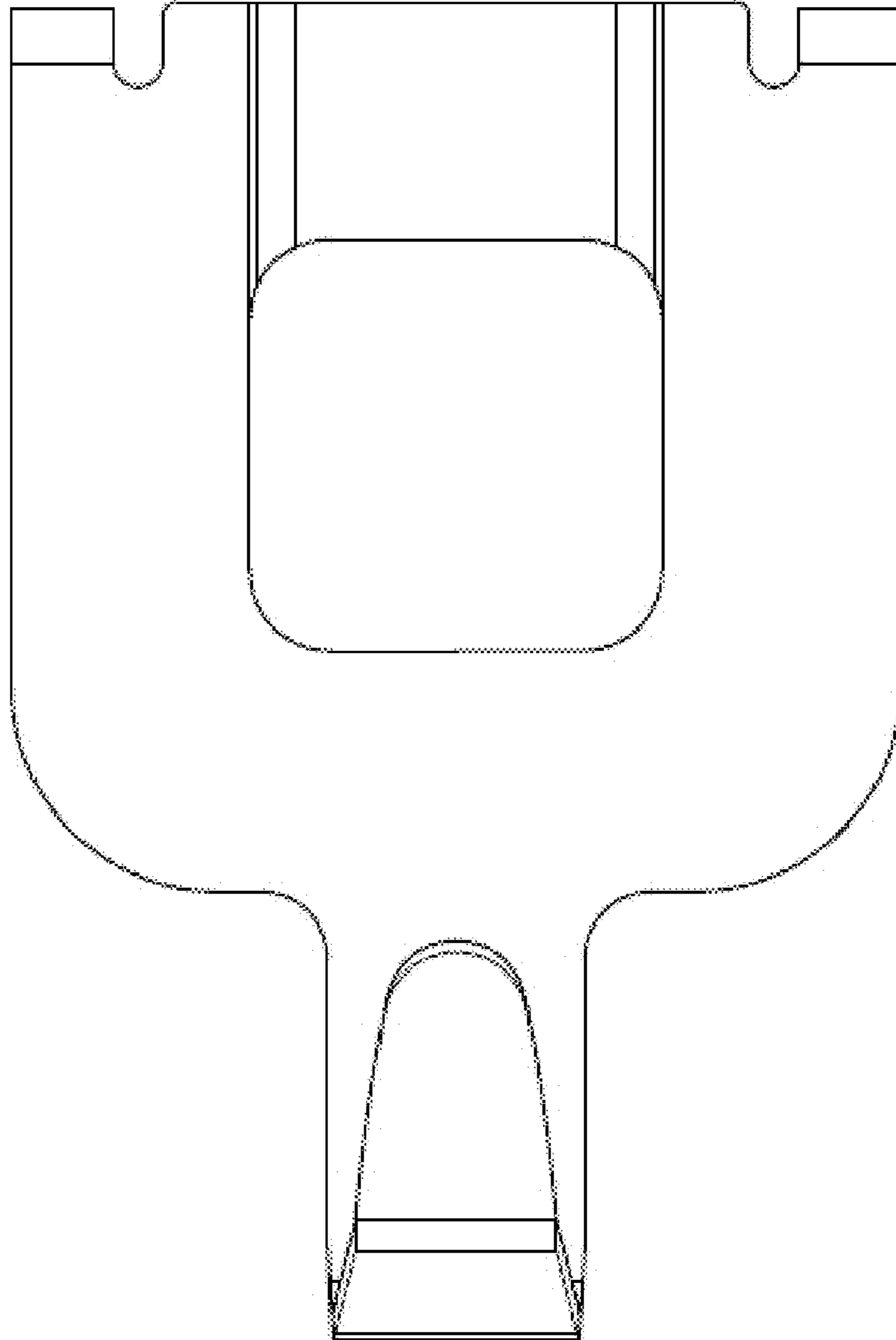


FIG. 1



**FIG. 2**

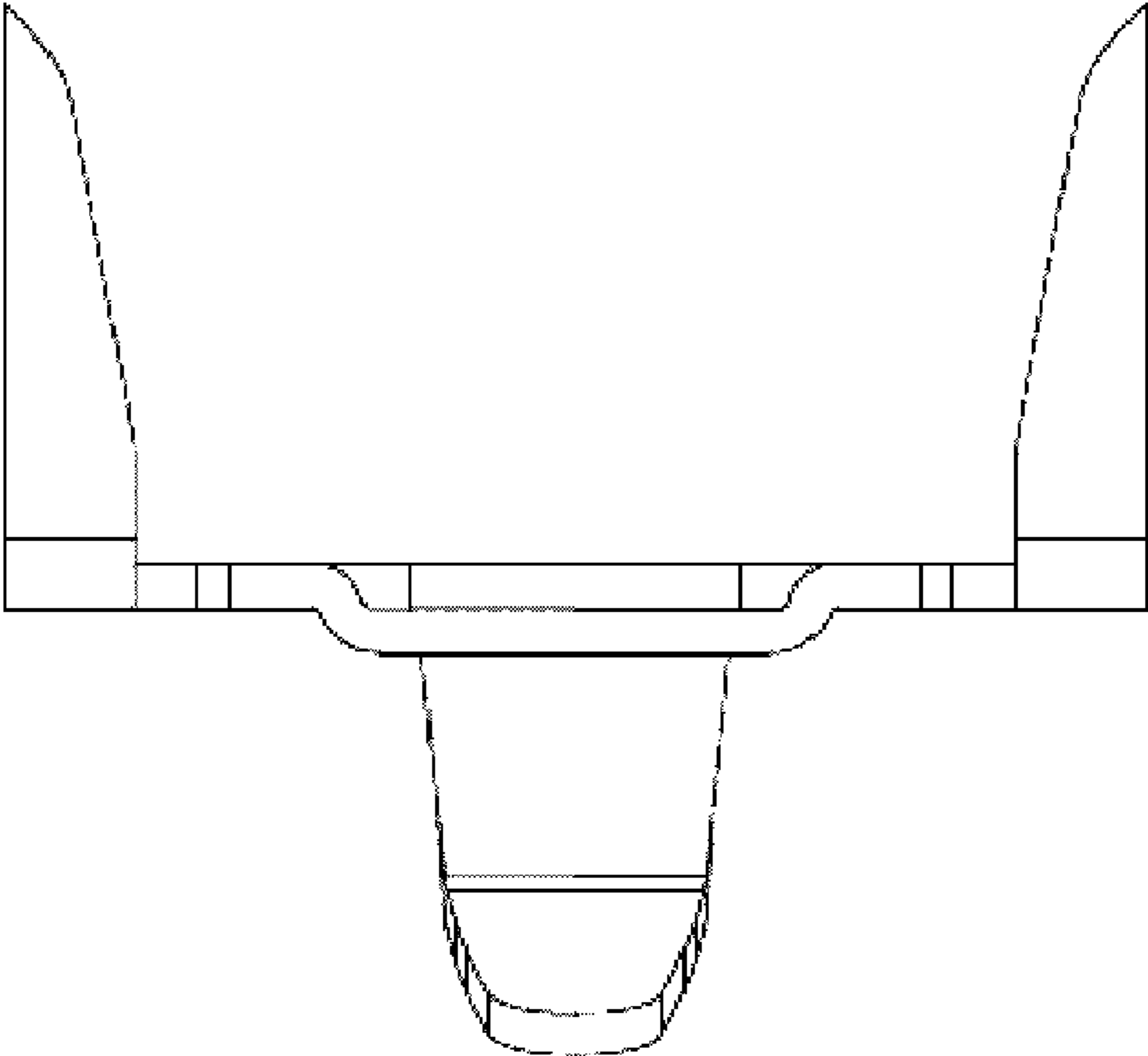


FIG. 3

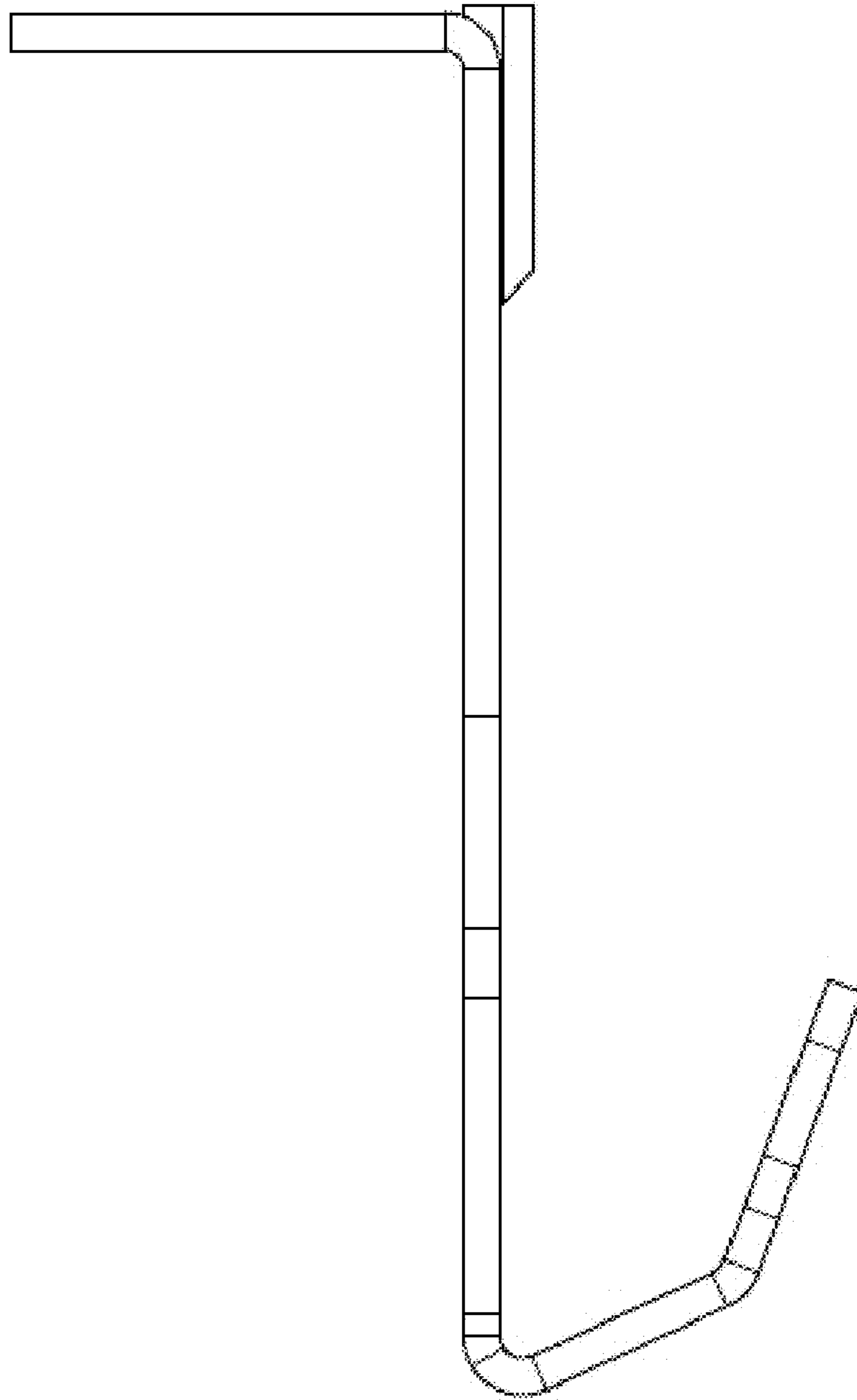
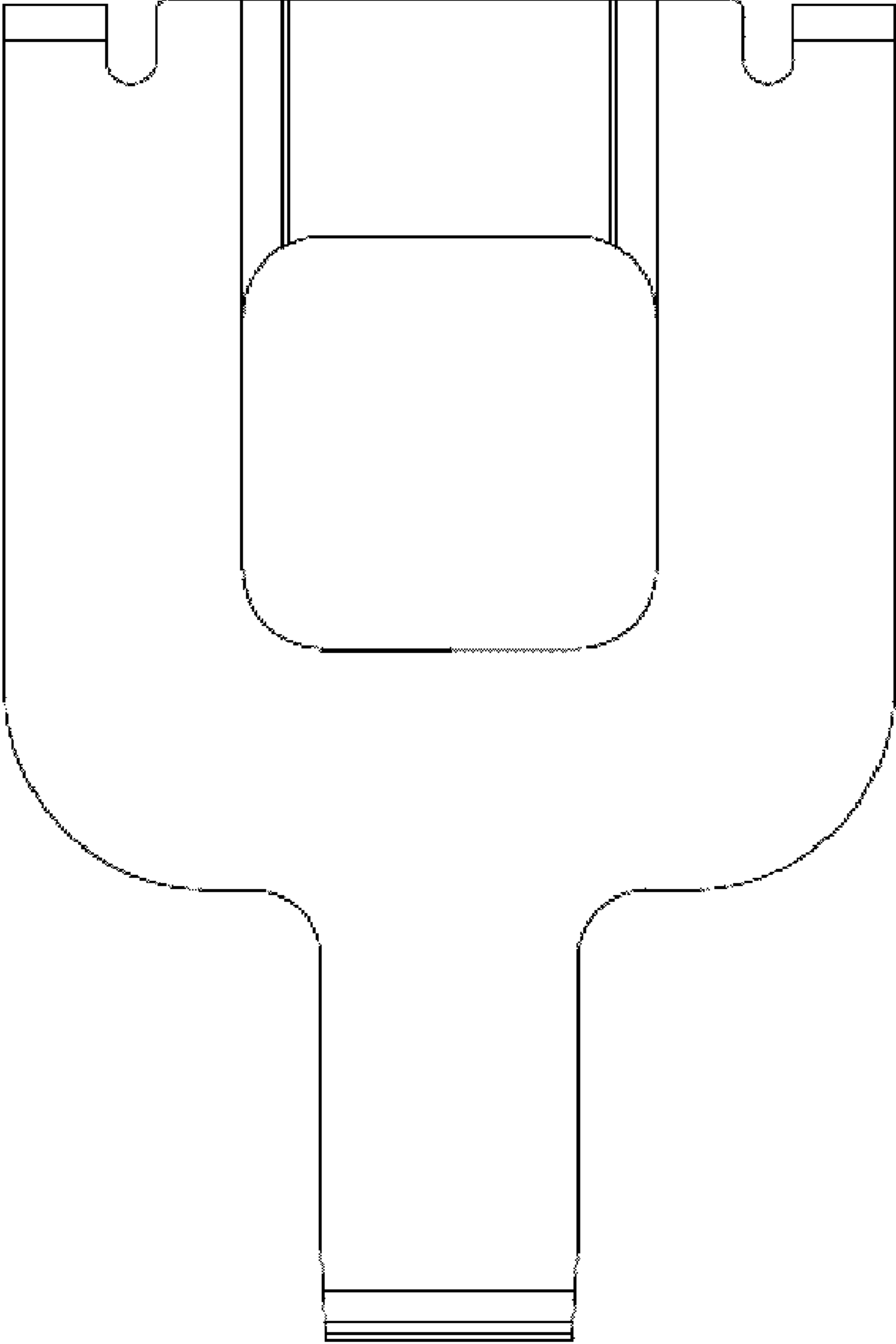


FIG. 4



**FIG. 5**

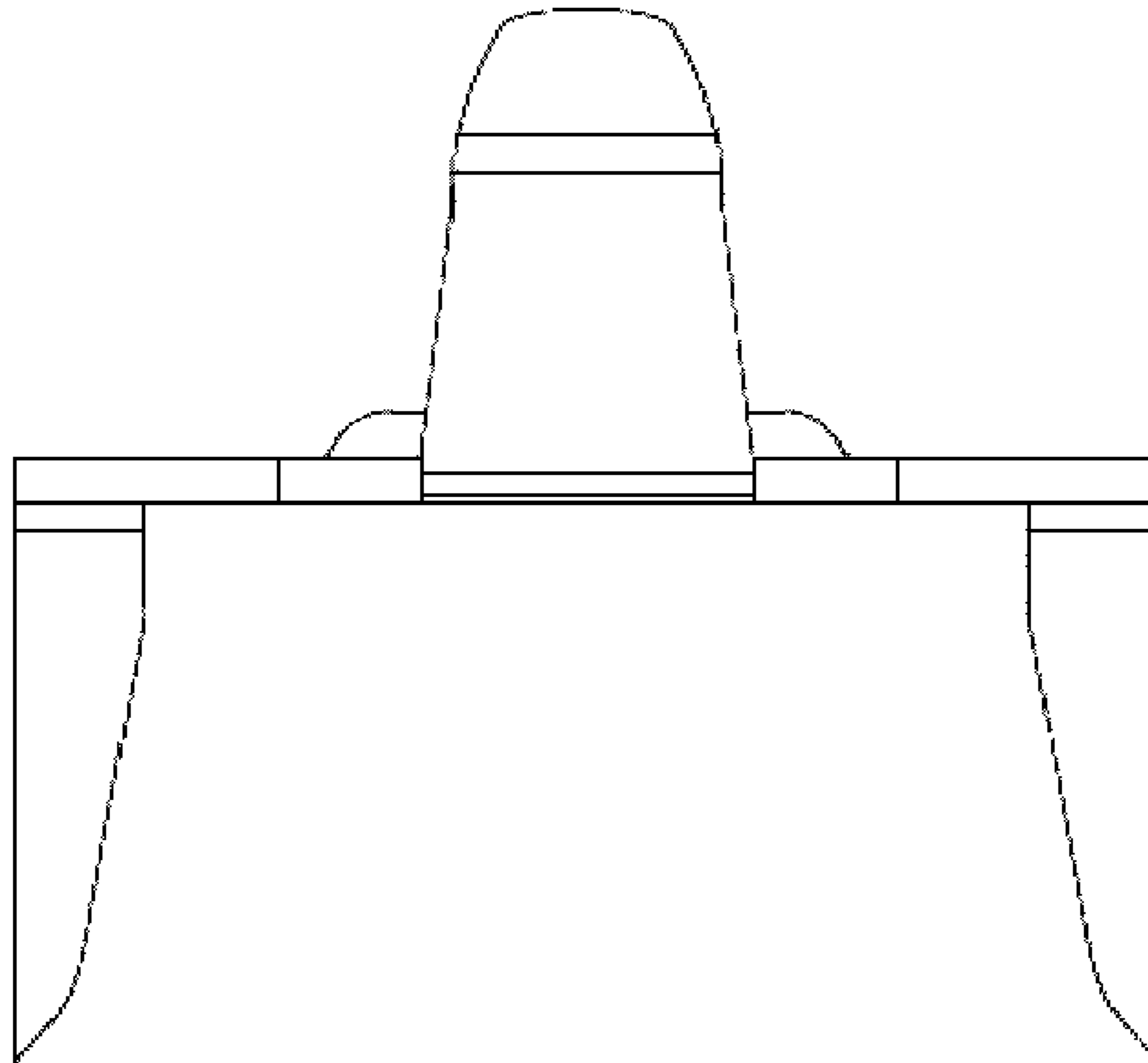


FIG. 6

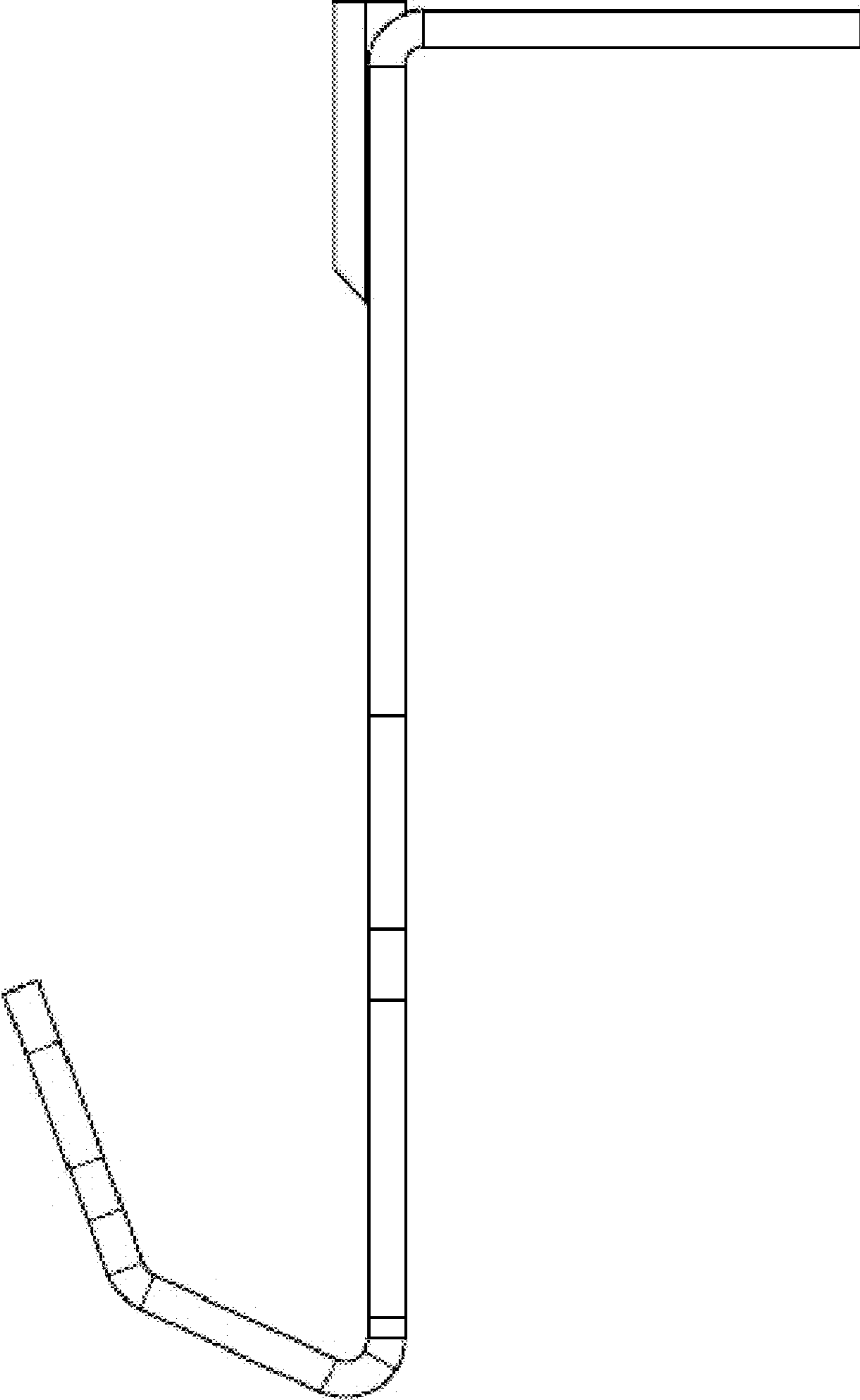


FIG. 7