



US00D647387S

(12) **United States Design Patent**  
**Pawluk**

(10) **Patent No.:** **US D647,387 S**

(45) **Date of Patent:** **\*\* Oct. 25, 2011**

(54) **CABLE GROMMET**

(76) Inventor: **Robert R. Pawluk**, Toronto (CA)

(\*\*) Term: **14 Years**

(21) Appl. No.: **29/371,393**

(22) Filed: **Feb. 7, 2011**

(30) **Foreign Application Priority Data**

Oct. 29, 2010 (CA) ..... 137733

(51) **LOC (9) Cl.** ..... **08-05**

(52) **U.S. Cl.** ..... **D8/356**

(58) **Field of Classification Search** ..... D8/356,  
D8/397, 367, 394, 382, 349, 354, 373; 174/68.3;  
D6/513, 113; 411/431; 256/19; D13/133;  
24/115 F

See application file for complete search history.

(56) **References Cited**

**U.S. PATENT DOCUMENTS**

3,905,411 A \* 9/1975 Dzus et al. .... 411/278  
5,755,419 A \* 5/1998 Gearhart et al. .... 248/346.01  
D485,743 S \* 1/2004 Wilson, Sr. .... D8/354

D488,704 S \* 4/2004 Mercier ..... D8/354  
D581,091 S \* 11/2008 Hofer ..... D26/142  
D594,314 S \* 6/2009 Hutter, III ..... D8/354  
D623,845 S \* 9/2010 Lintott et al. .... D3/10  
D634,612 S \* 3/2011 Ghatikar et al. .... D8/382  
D637,877 S \* 5/2011 Elkins ..... D8/44

\* cited by examiner

*Primary Examiner* — Cynthia Underwood

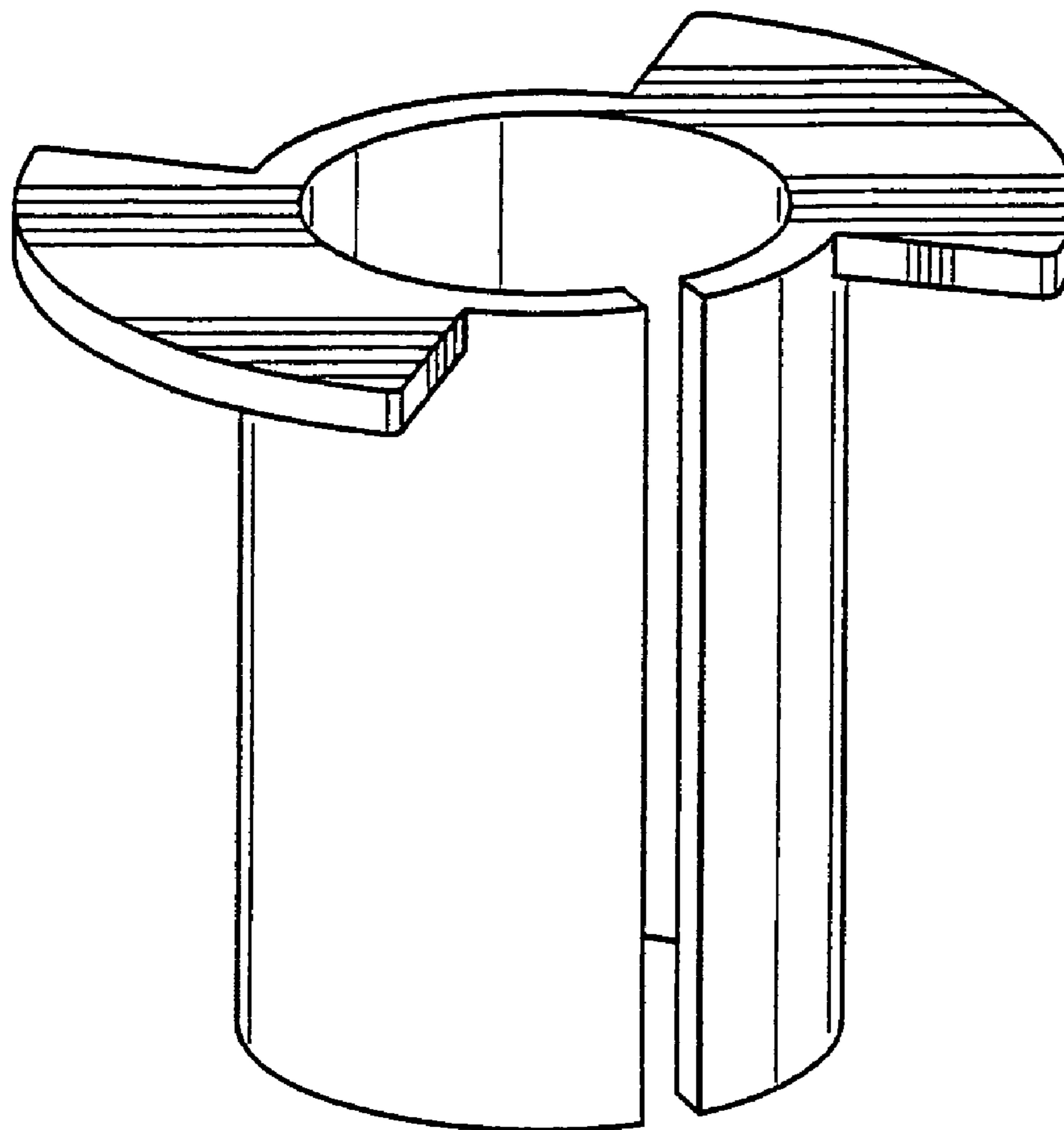
(57) **CLAIM**

The ornamental design for a cable grommet, as shown and described.

**DESCRIPTION**

FIG. 1: shows a perspective top, front and first side view of a cable grommet showing the design applied thereto;  
FIG. 2: is a front elevational view thereof;  
FIG. 3: is a top plan view thereof;  
FIG. 4: is a rear elevation view thereof;  
FIG. 5: is a front side elevational view thereof;  
FIG. 6: is a second side elevational view thereof; and,  
FIG. 7: shows a bottom plan view thereof.

**1 Claim, 2 Drawing Sheets**



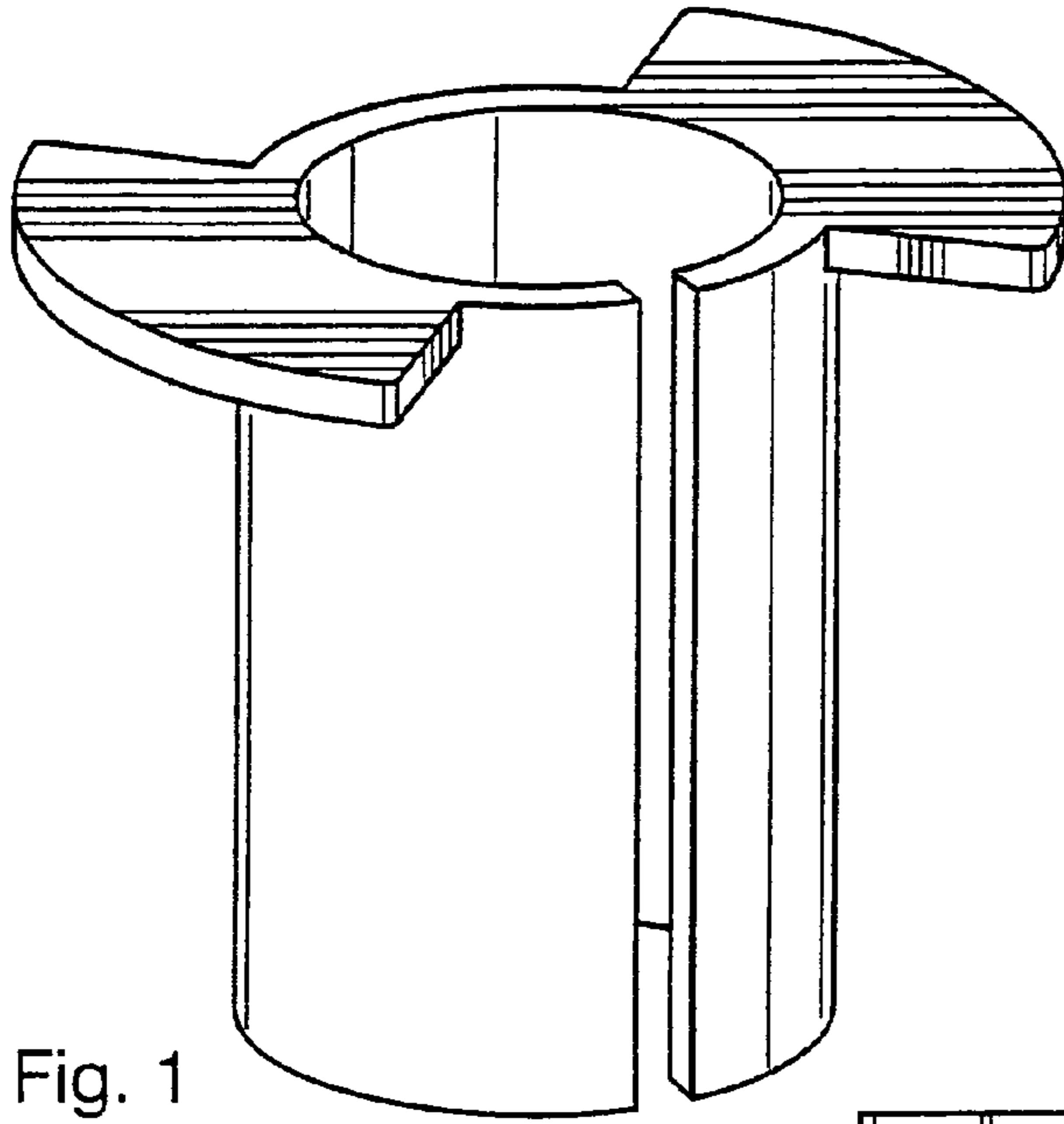


Fig. 1

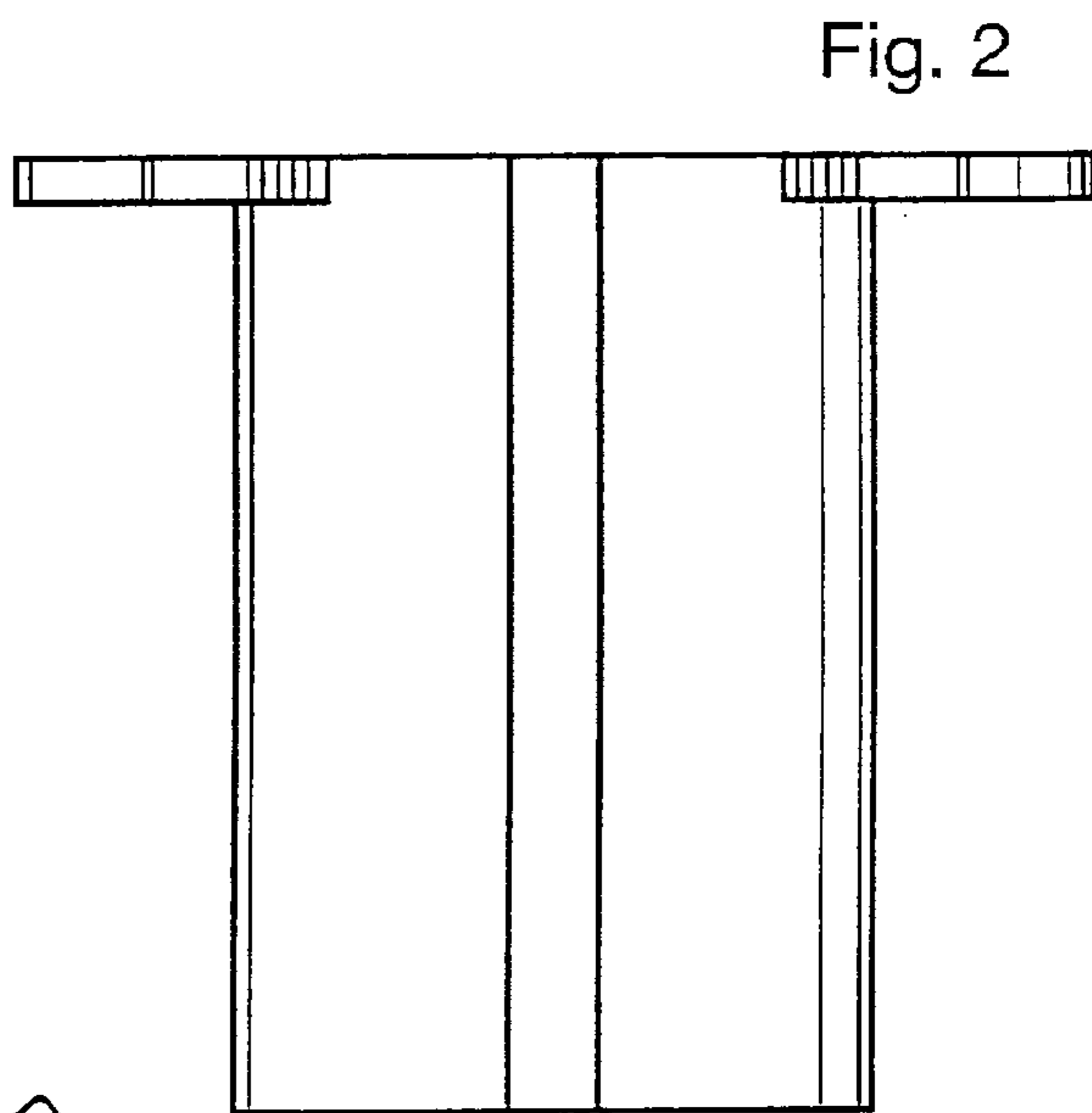


Fig. 2

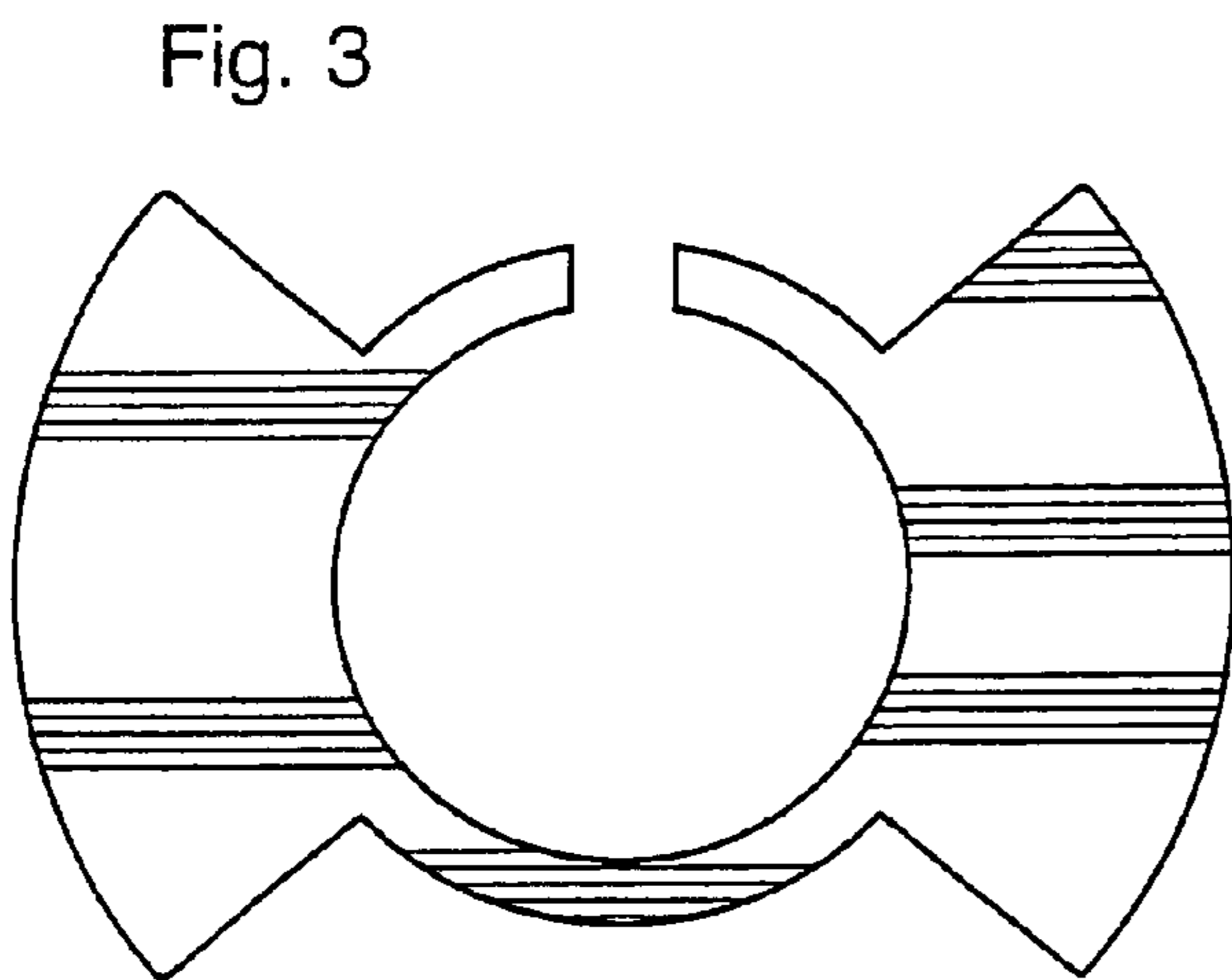


Fig. 3

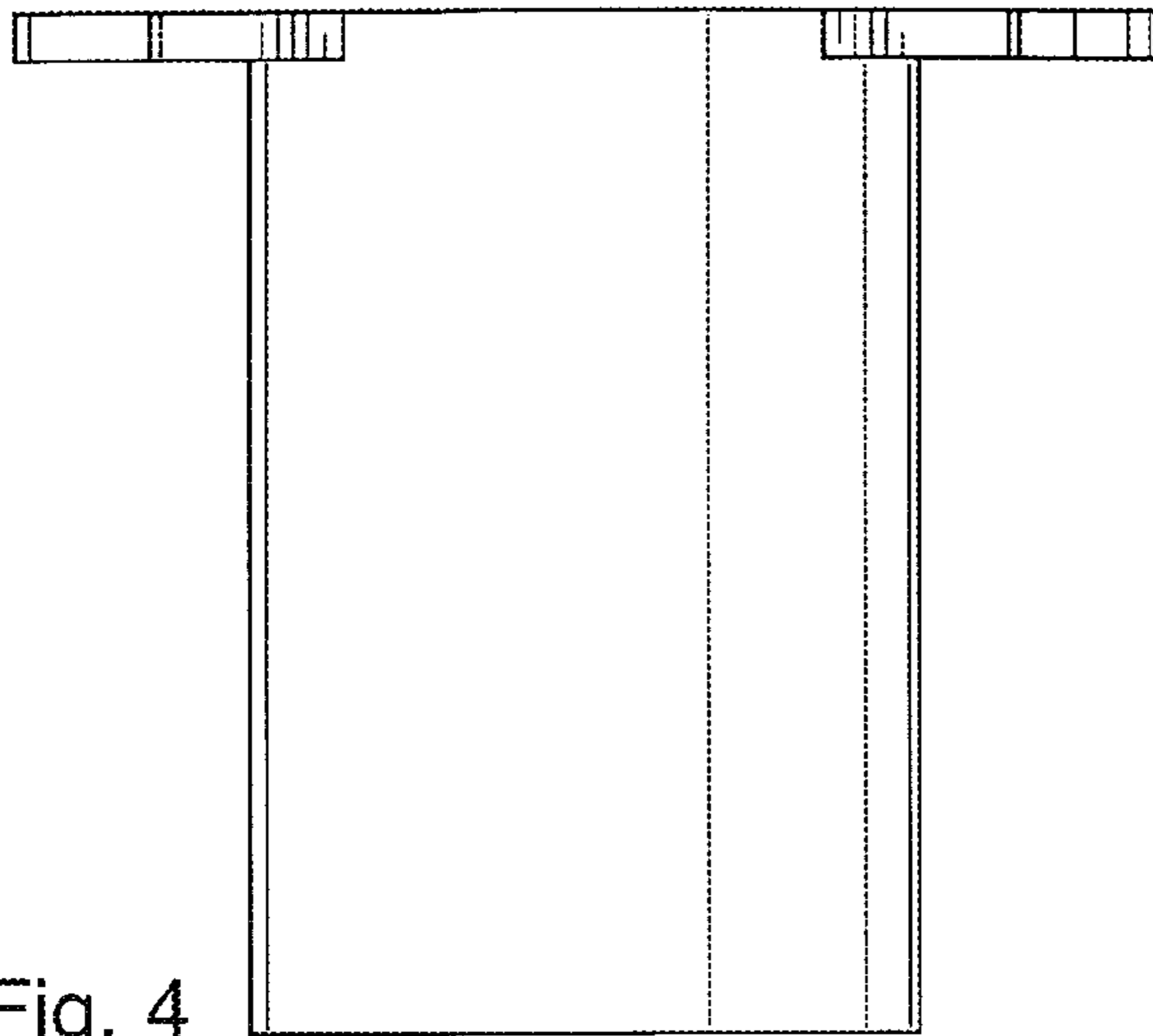


Fig. 4

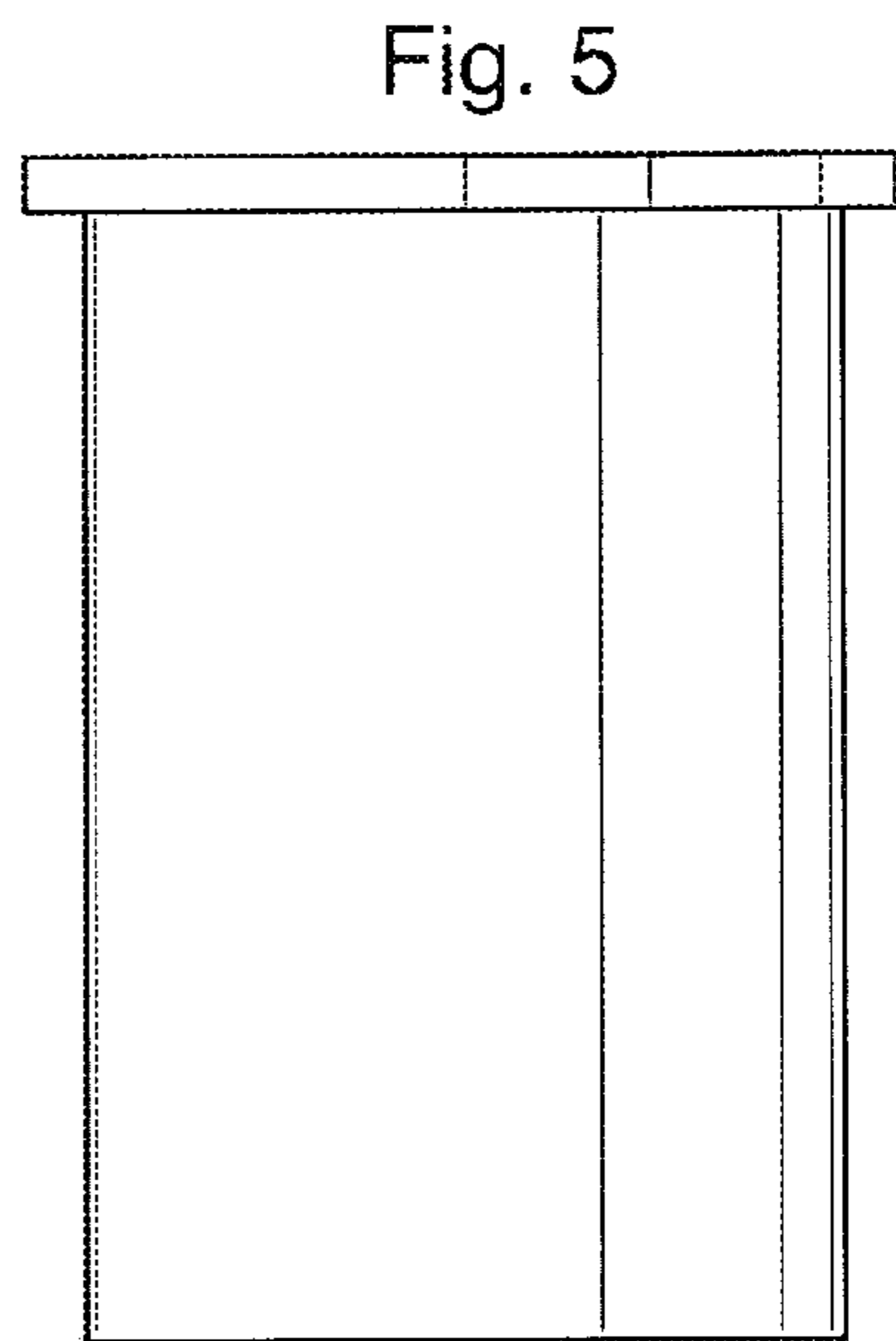


Fig. 5

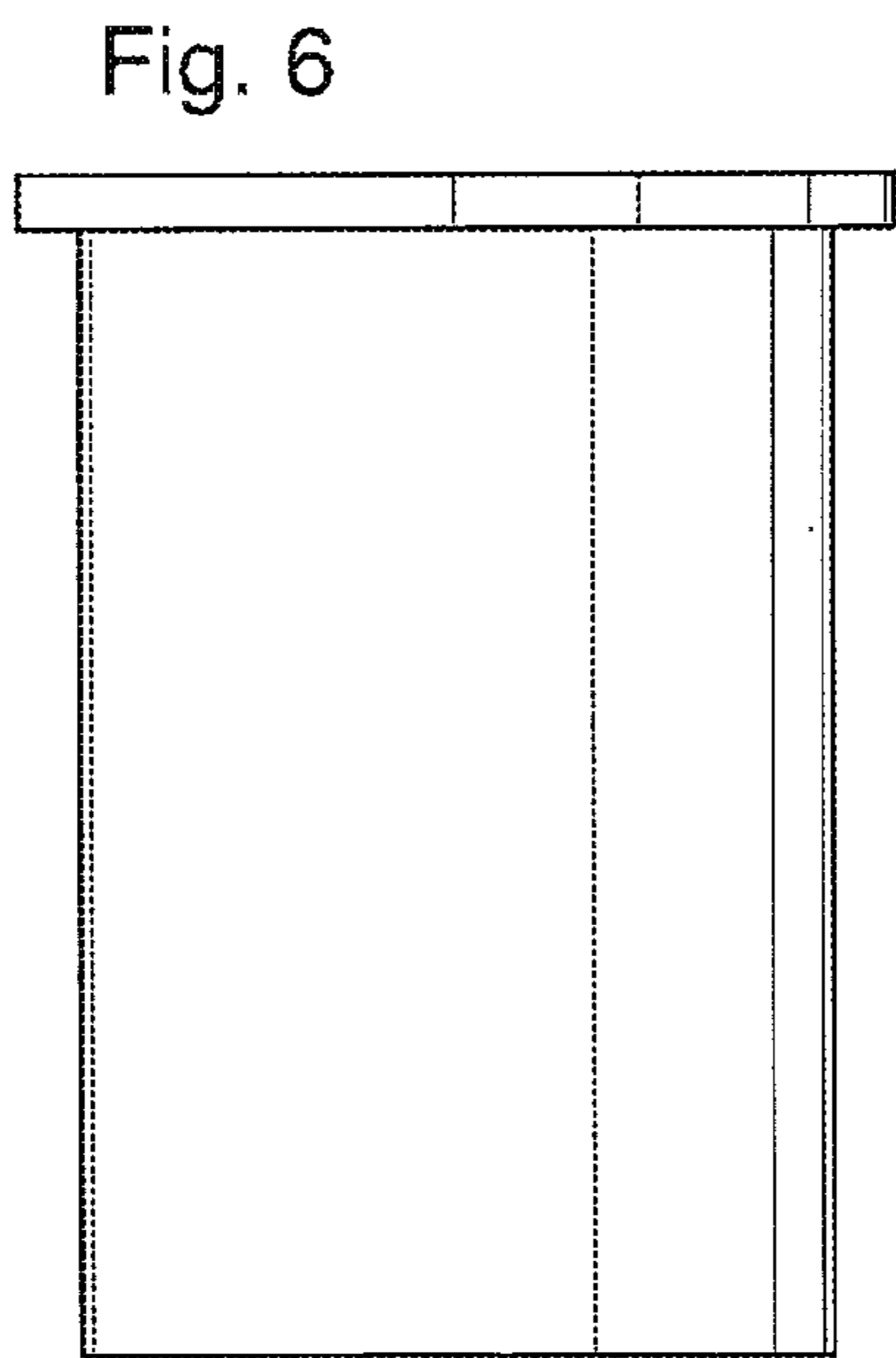


Fig. 6

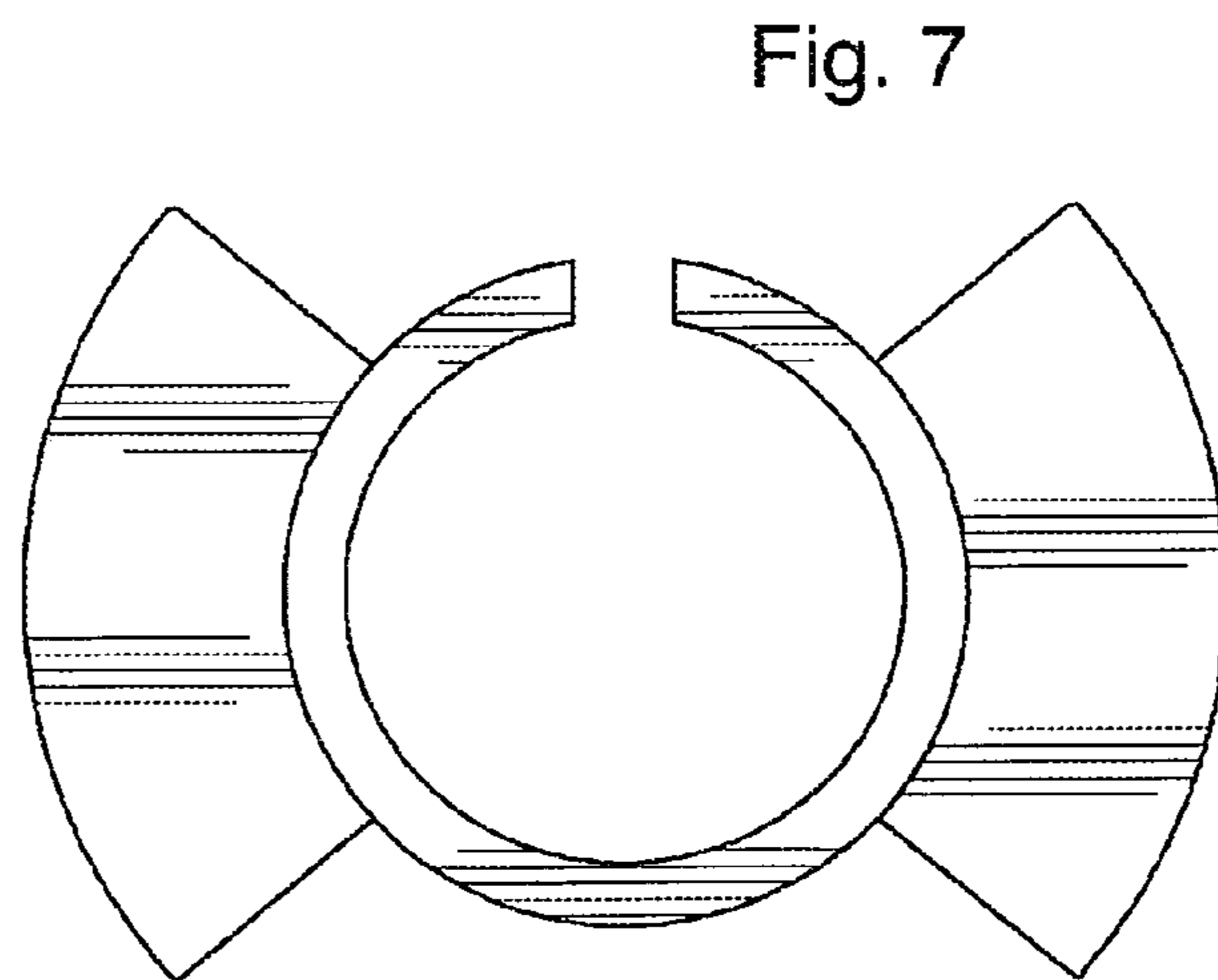


Fig. 7