



US00D647385S

(12) **United States Design Patent**
Watts

(10) **Patent No.:** **US D647,385 S**

(45) **Date of Patent:** **** Oct. 25, 2011**

(54) **CORNER BRACKET**

(75) Inventor: **Billy D. Watts**, Corrales, NM (US)

(73) Assignee: **Data Center Transitions, Inc.**, Corrales, NM (US)

(**) Term: **14 Years**

(21) Appl. No.: **29/367,604**

(22) Filed: **Aug. 10, 2010**

(51) **LOC (9) Cl.** **08-08**

(52) **U.S. Cl.** **D8/349**

(58) **Field of Classification Search** D8/354,
D8/380, 349, 382; 248/300, 237, 309.1;
52/188, 182, 191, 702, 712, 745.06, 189,
52/506.5, 586.1; 29/428, 525.01, 464; 249/14,
249/208, 205; 403/169, 167

See application file for complete search history.

(56) **References Cited**

U.S. PATENT DOCUMENTS

1,848,085	A *	3/1932	Eisenschmidt	403/187
3,919,603	A	11/1975	Salvati et al.		
D253,278	S *	10/1979	Ziaylek, Jr.	D8/373
D256,663	S *	9/1980	Gilb	D8/354
D277,935	S *	3/1985	Beckrot	D8/382
D285,773	S *	9/1986	Cappel et al.	D8/380
D306,446	S *	3/1990	McGuire	D15/4
D337,042	S *	7/1993	Lin et al.	D8/349
D342,662	S *	12/1993	Lavin, Sr.	D8/354
D364,794	S *	12/1995	Eberschlag	D8/354
D409,083	S *	5/1999	Bernstein	D8/382
5,997,117	A	12/1999	Krietzman		
6,168,249	B1	1/2001	Chien		
D463,251	S *	9/2002	Shea	D8/354
6,471,308	B1	10/2002	Konshak et al.		
D476,217	S *	6/2003	Shea	D8/354
D492,889	S *	7/2004	Craine	D8/354
D500,666	S *	1/2005	Murphy et al.	D8/354

D503,330	S *	3/2005	Murphy et al.	D8/354
6,860,460	B2 *	3/2005	Rellergert	249/14
D511,086	S *	11/2005	Craine	D8/354
D523,735	S *	6/2006	Craine	D8/354
D558,039	S *	12/2007	Skinner	D8/382
D558,040	S *	12/2007	Skinner	D8/382
D558,041	S *	12/2007	Skinner	D8/382
7,316,461	B2	1/2008	Wyatt et al.		
D575,220	S *	8/2008	Pockalny	D12/223
D590,697	S *	4/2009	Townley	D8/354
D595,115	S *	6/2009	Royer	D8/354
D618,085	S *	6/2010	Lin et al.	D8/354
D638,280	S *	5/2011	Mcalonan	D8/349
D638,282	S *	5/2011	Robinson	D8/366
2002/0112439	A1 *	8/2002	Rosas	52/712
2002/0124492	A1 *	9/2002	Gobeil	52/191
2002/0153335	A1	10/2002	Robideau		
2002/0153814	A1	10/2002	Robideau		
2004/0104331	A1 *	6/2004	Rellergert	249/14

* cited by examiner

Primary Examiner — Mark Goodwin

(74) *Attorney, Agent, or Firm* — Justin R. Jackson; Peacock Myers, P.C.

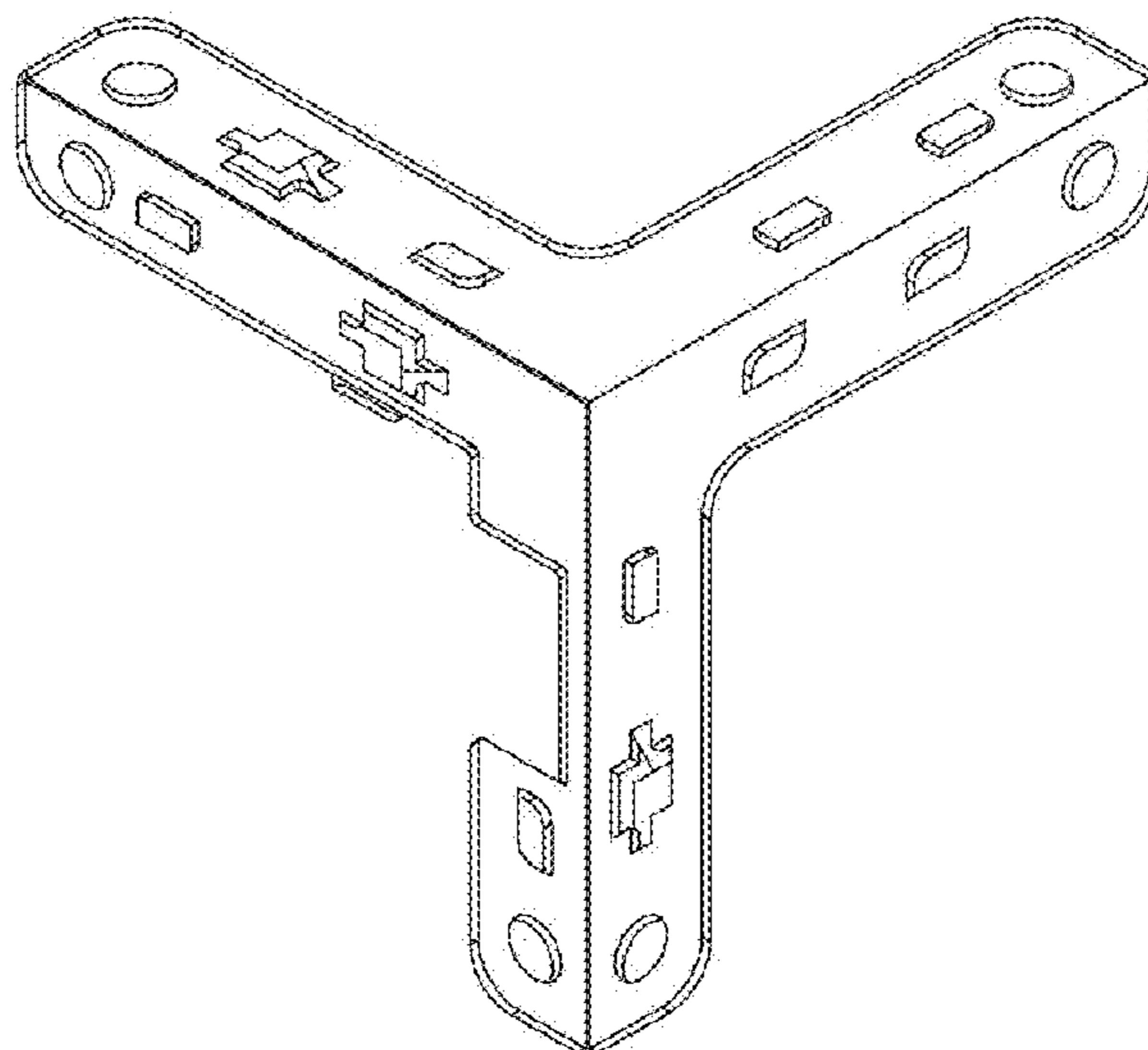
(57) **CLAIM**

The ornamental design for a corner bracket, as shown and described.

DESCRIPTION

FIG. 1 is a top view of the corner bracket embodying my new design;
FIG. 2 is a bottom view thereof;
FIG. 3 is a left view thereof;
FIG. 4 is a right view thereof;
FIG. 5 is a front view thereof;
FIG. 6 is a back view thereof;
FIG. 7 is a left perspective view thereof; and,
FIG. 8 is a right perspective view thereof.

1 Claim, 8 Drawing Sheets



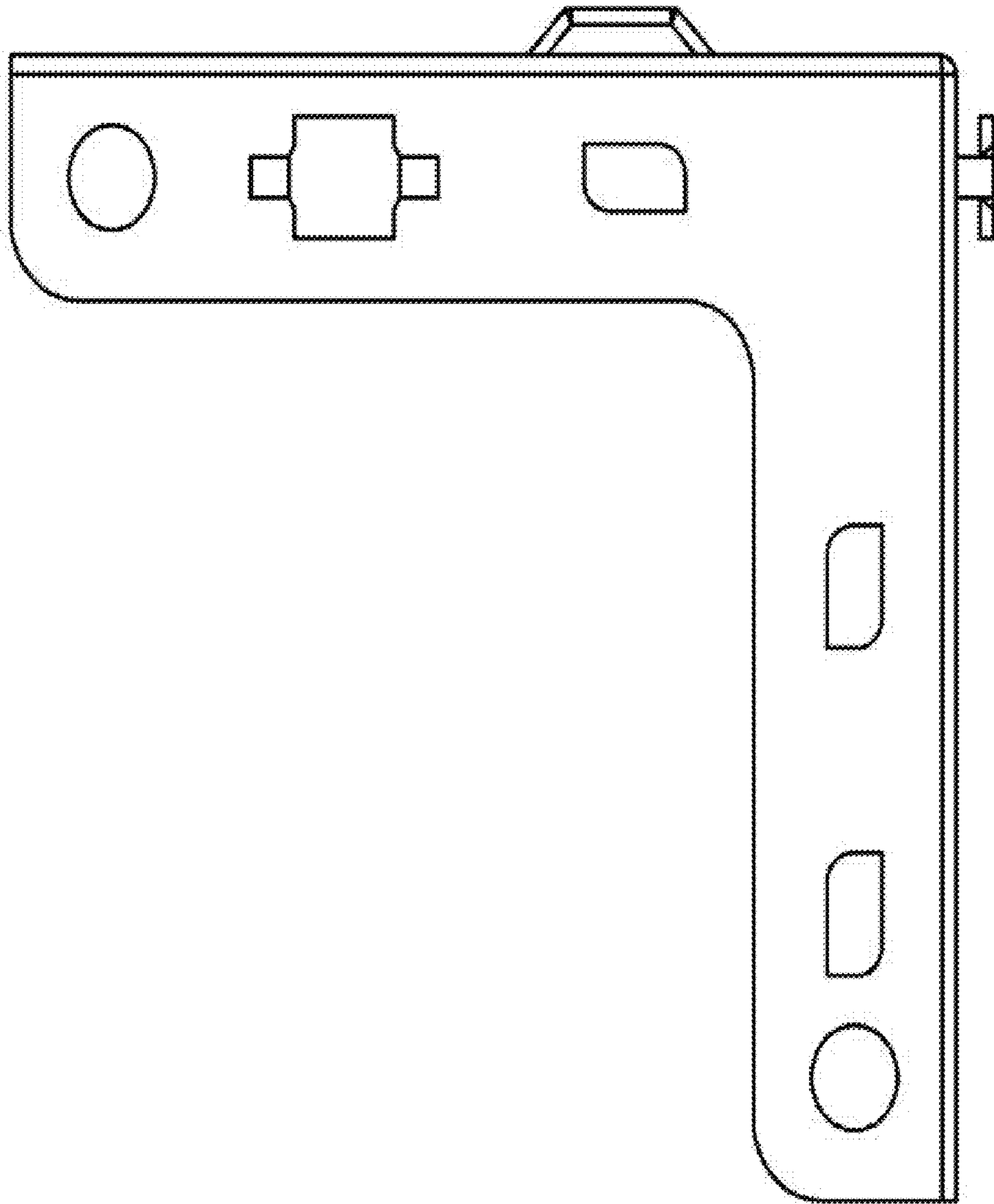


Fig. 1

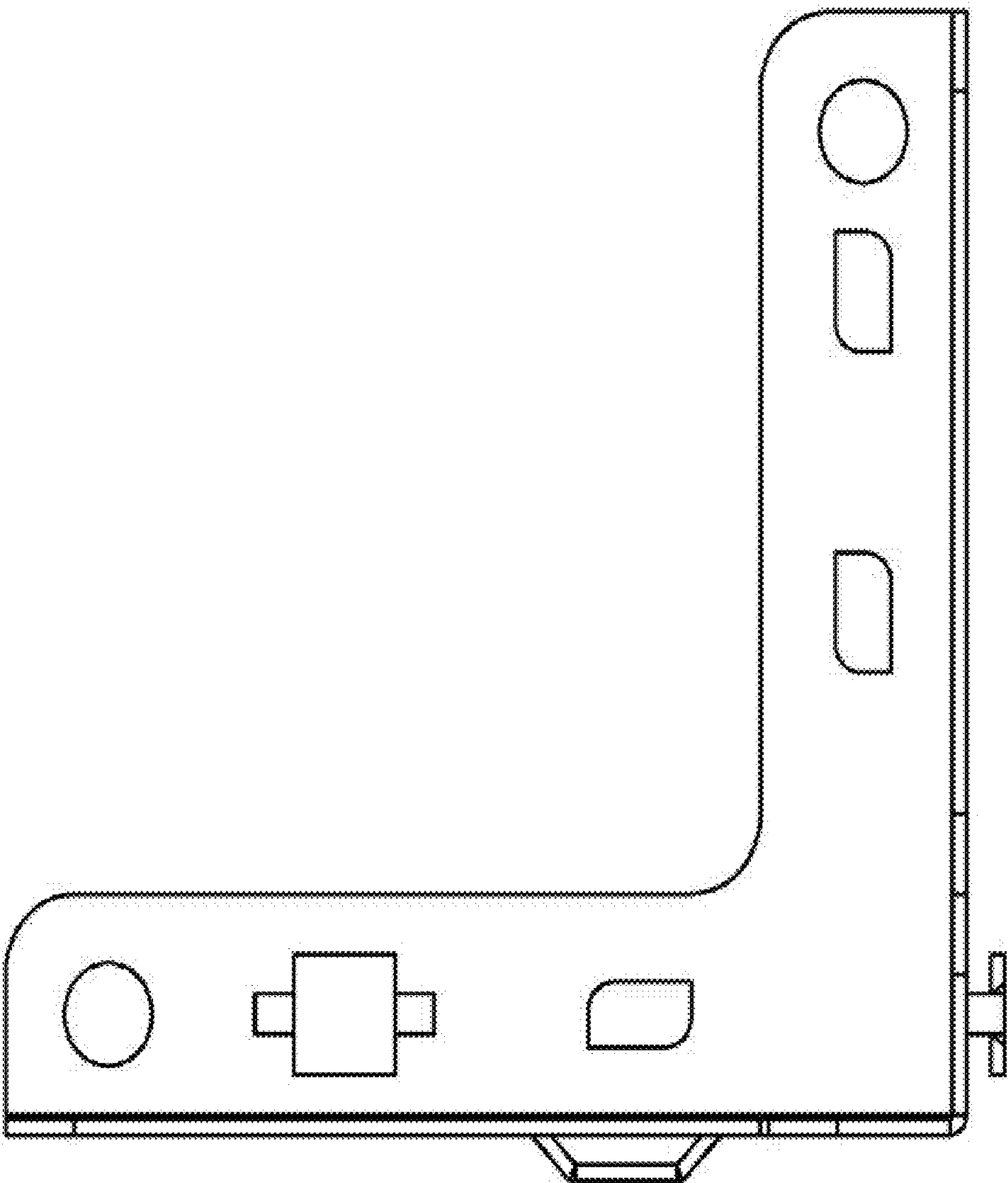


Fig. 2

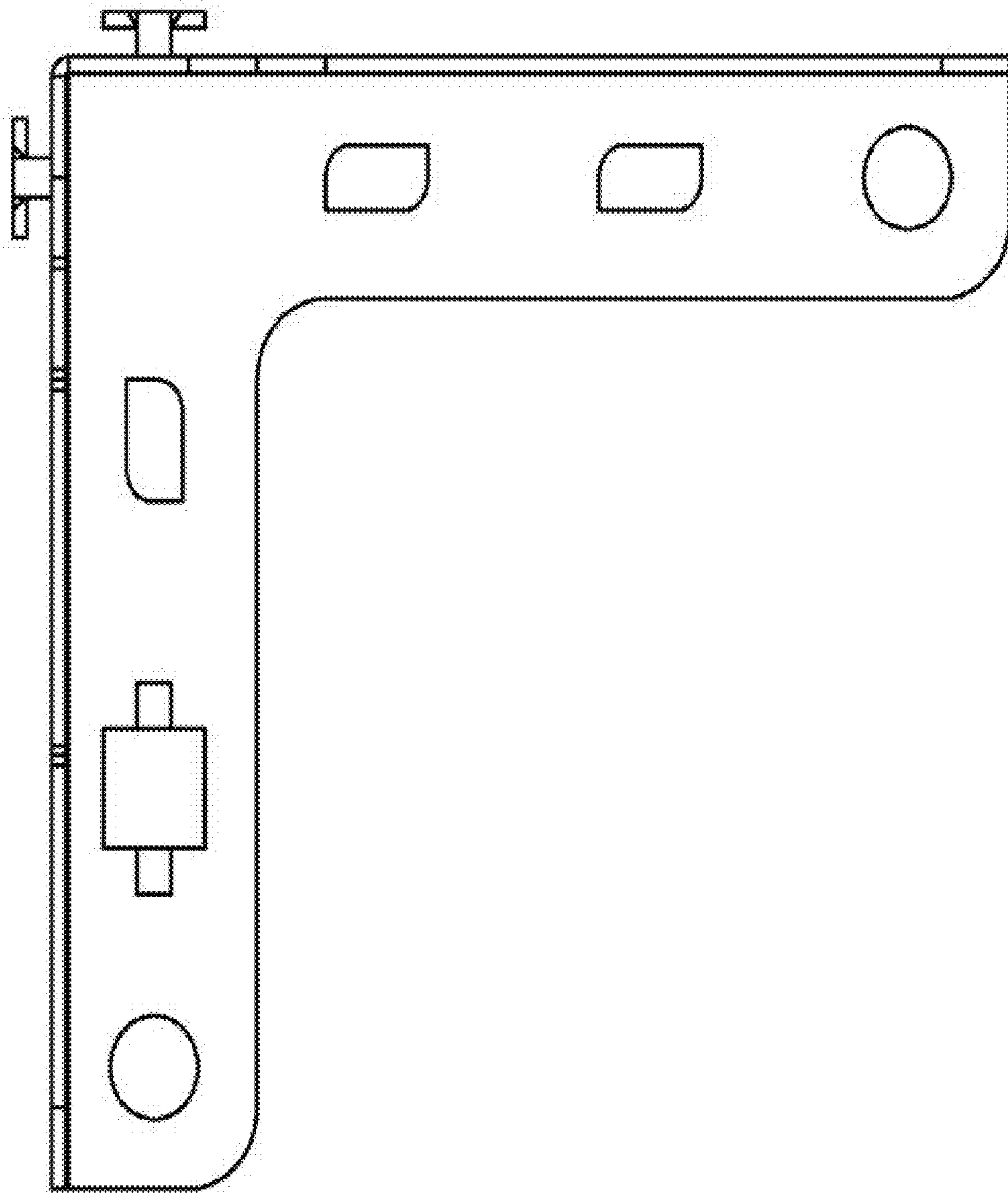


Fig. 3

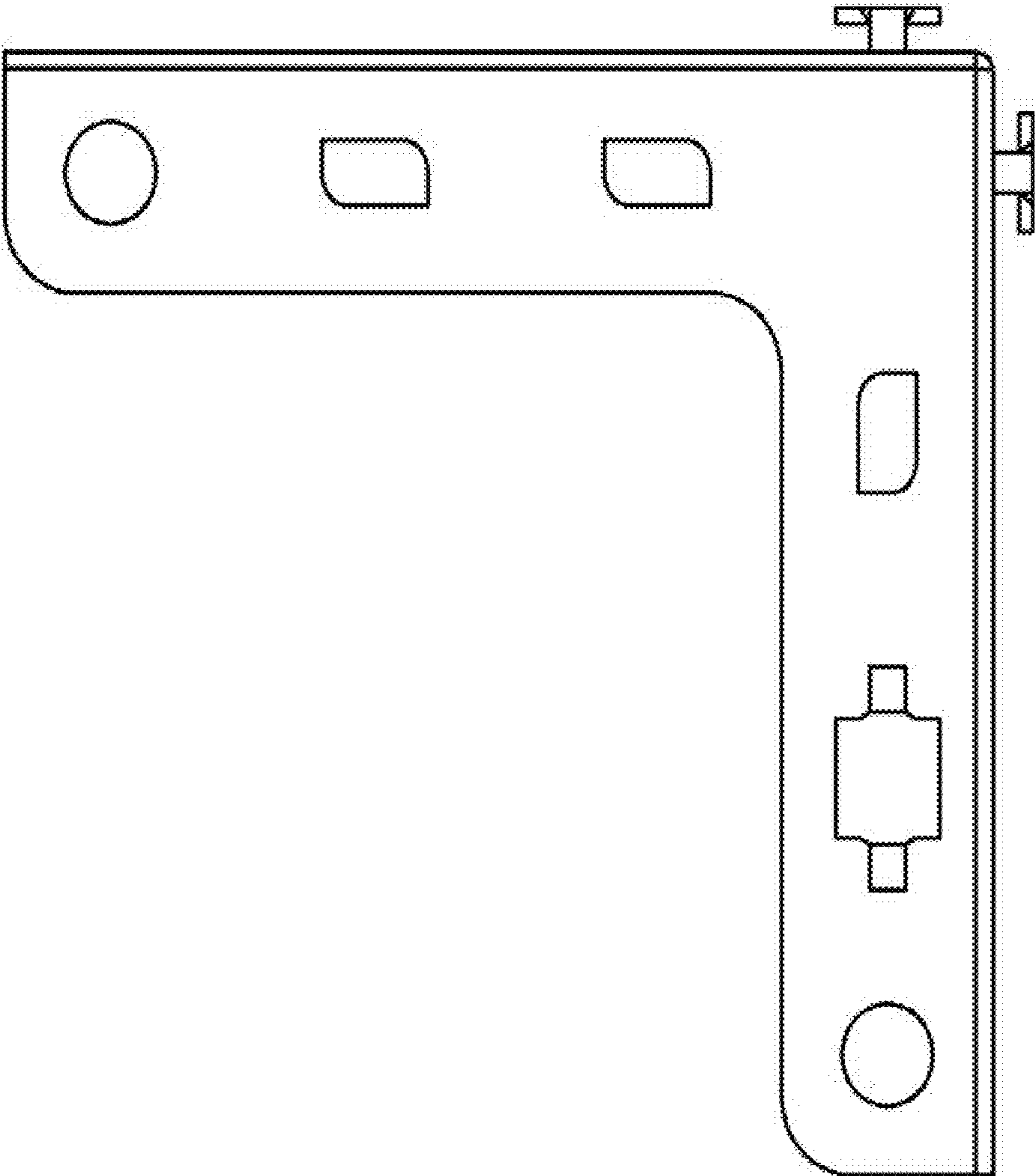


Fig. 4

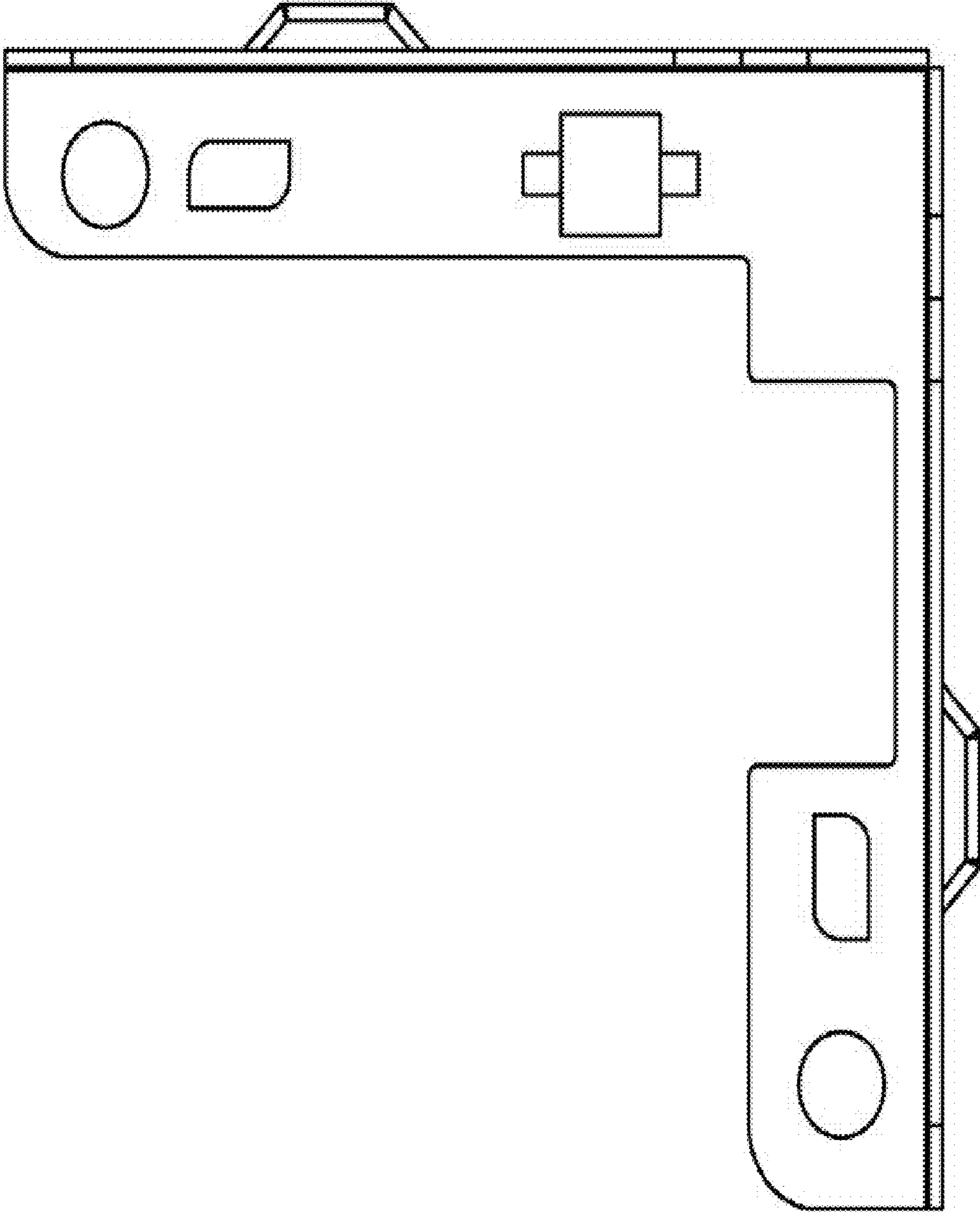


Fig. 5

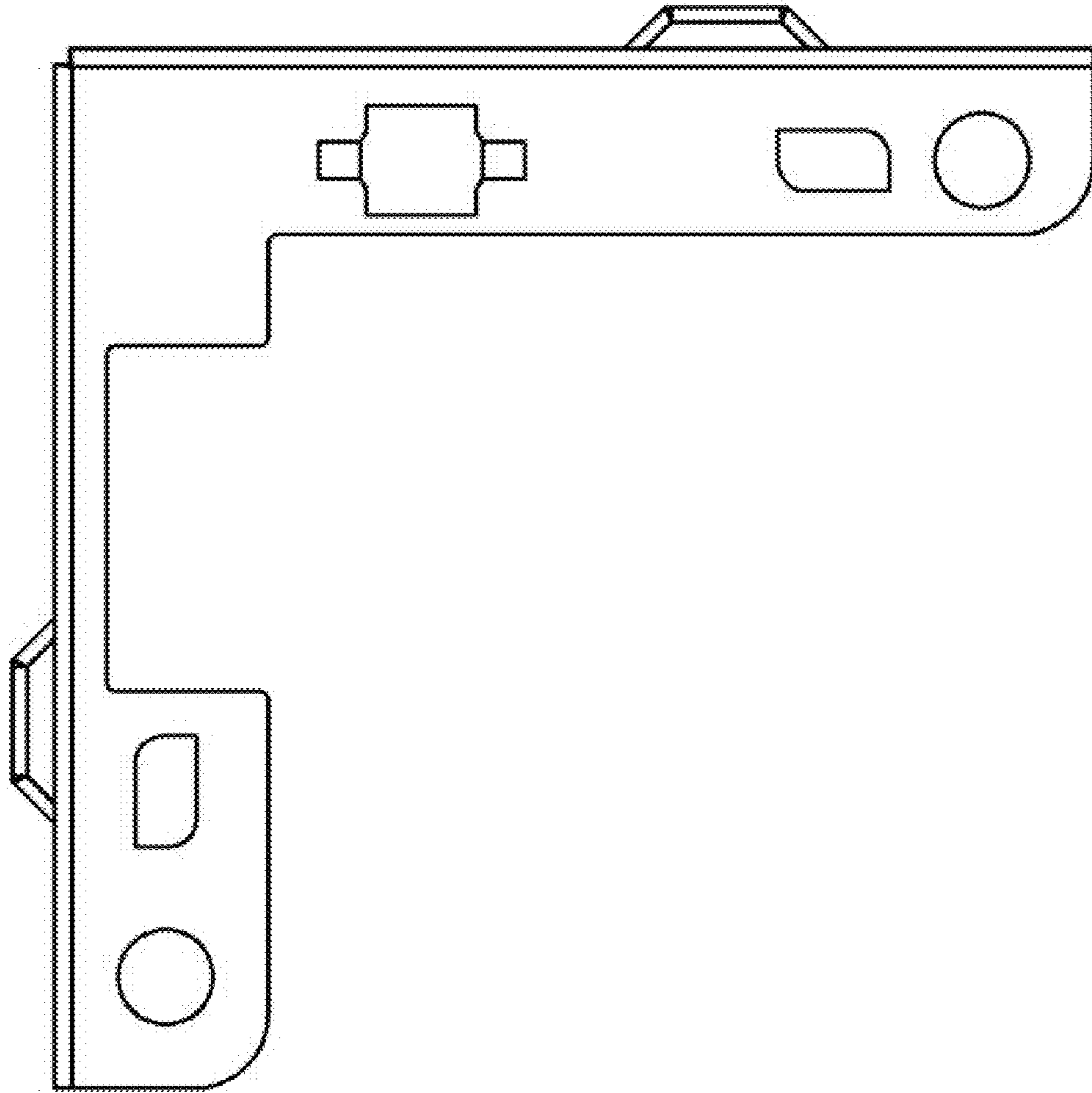


Fig. 6

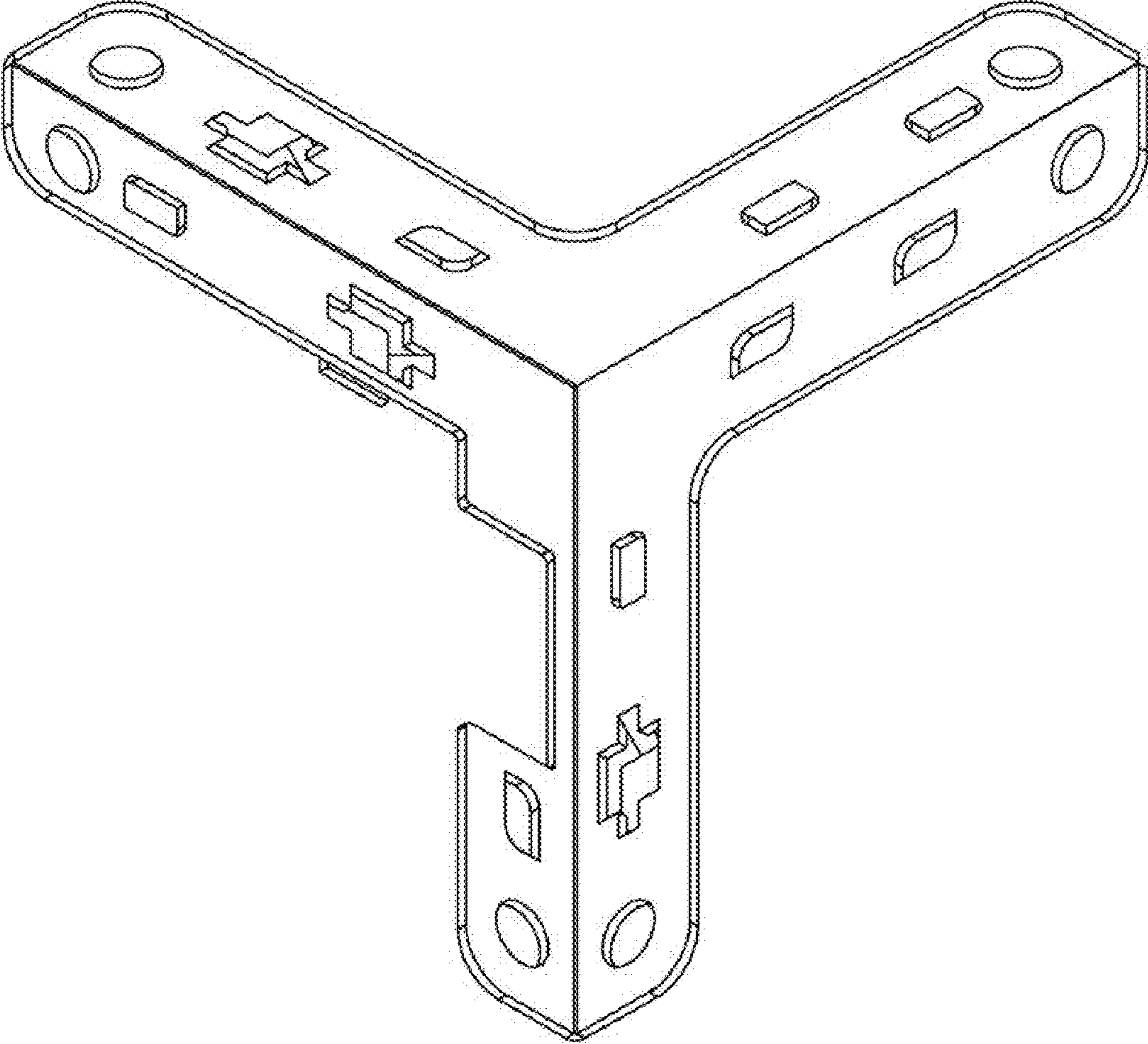


Fig. 7

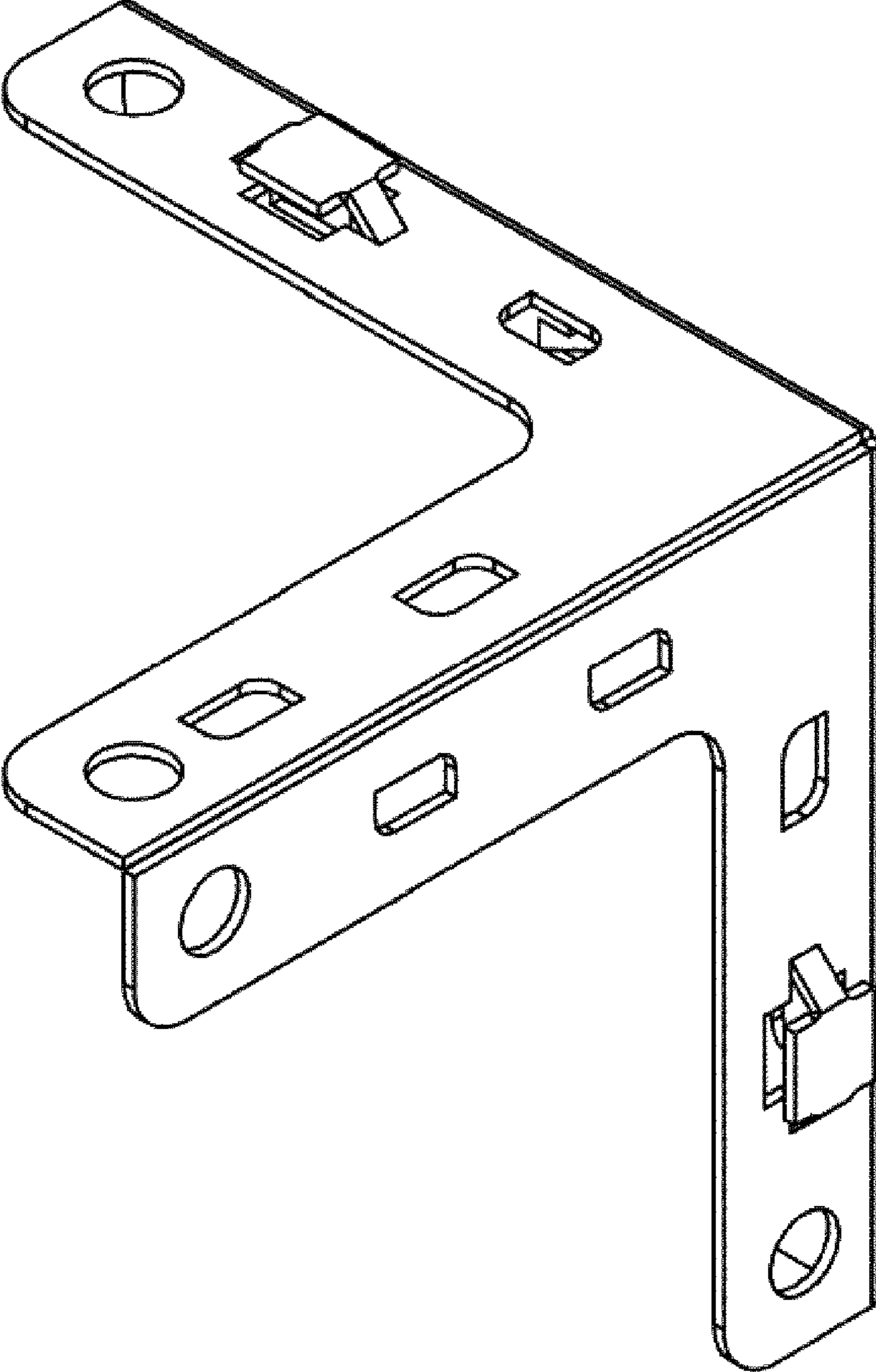


Fig. 8