



US00D647381S

(12) **United States Design Patent**  
**Lin et al.**

(10) **Patent No.:** **US D647,381 S**  
(45) **Date of Patent:** **\*\* Oct. 25, 2011**

(54) **CLAMP**

(76) Inventors: **Chang-Yi Lin**, Taichung Hsien (TW);  
**Chang-Chih Lin**, Taichung Hsien (TW)

(\*\*) Term: **14 Years**

(21) Appl. No.: **29/376,985**

(22) Filed: **Oct. 15, 2010**

(51) **LOC (9) Cl.** ..... **08-05**

(52) **U.S. Cl.** ..... **D8/74**

(58) **Field of Classification Search** ..... D8/71-74,  
D8/394, 397-399, 354, 355, 59; 248/62,  
248/63, 72, 74.1, 689, 124.2, 65; 81/487;  
269/3, 4, 6, 143, 165, 240, 243, 246-249,  
269/254 R, 147-149; 29/256, 257, 276;  
D15/140; D24/143; 408/103, 104-109;  
D6/400

See application file for complete search history.

(56) **References Cited**

U.S. PATENT DOCUMENTS

3,051,473	A *	8/1962	Juhase	.....	D8/74
D254,376	S *	3/1980	Glomb et al.	.....	D15/140
D255,643	S *	7/1980	Speiser et al.	.....	D8/74
D355,114	S *	2/1995	Wizman	.....	D8/71
D417,599	S *	12/1999	Wolfe et al.	.....	D8/74

D420,880	S *	2/2000	Lavigne et al.	.....	D8/74
D421,208	S *	2/2000	Lavigne et al.	.....	D8/74
D422,868	S *	4/2000	Lavigne et al.	.....	D8/74
6,045,126	A *	4/2000	Brzezinski	.....	269/240
D435,772	S *	1/2001	Lavigne et al.	.....	D8/74
D436,012	S *	1/2001	Lavigne et al.	.....	D8/74
6,361,034	B1 *	3/2002	Wolfe	.....	269/247
D595,102	S *	6/2009	Francis et al.	.....	D8/74

\* cited by examiner

*Primary Examiner* — David Muller

(74) *Attorney, Agent, or Firm* — Rosenberg, Klein & Lee

(57) **CLAIM**

The ornamental design for a clamp, as shown and described.

**DESCRIPTION**

FIG. 1 is a perspective view of a clamp showing our new design;

FIG. 2 is a front elevational view thereof;

FIG. 3 is a rear elevational view thereof;

FIG. 4 is a left side elevational view thereof;

FIG. 5 is a right side elevational view thereof;

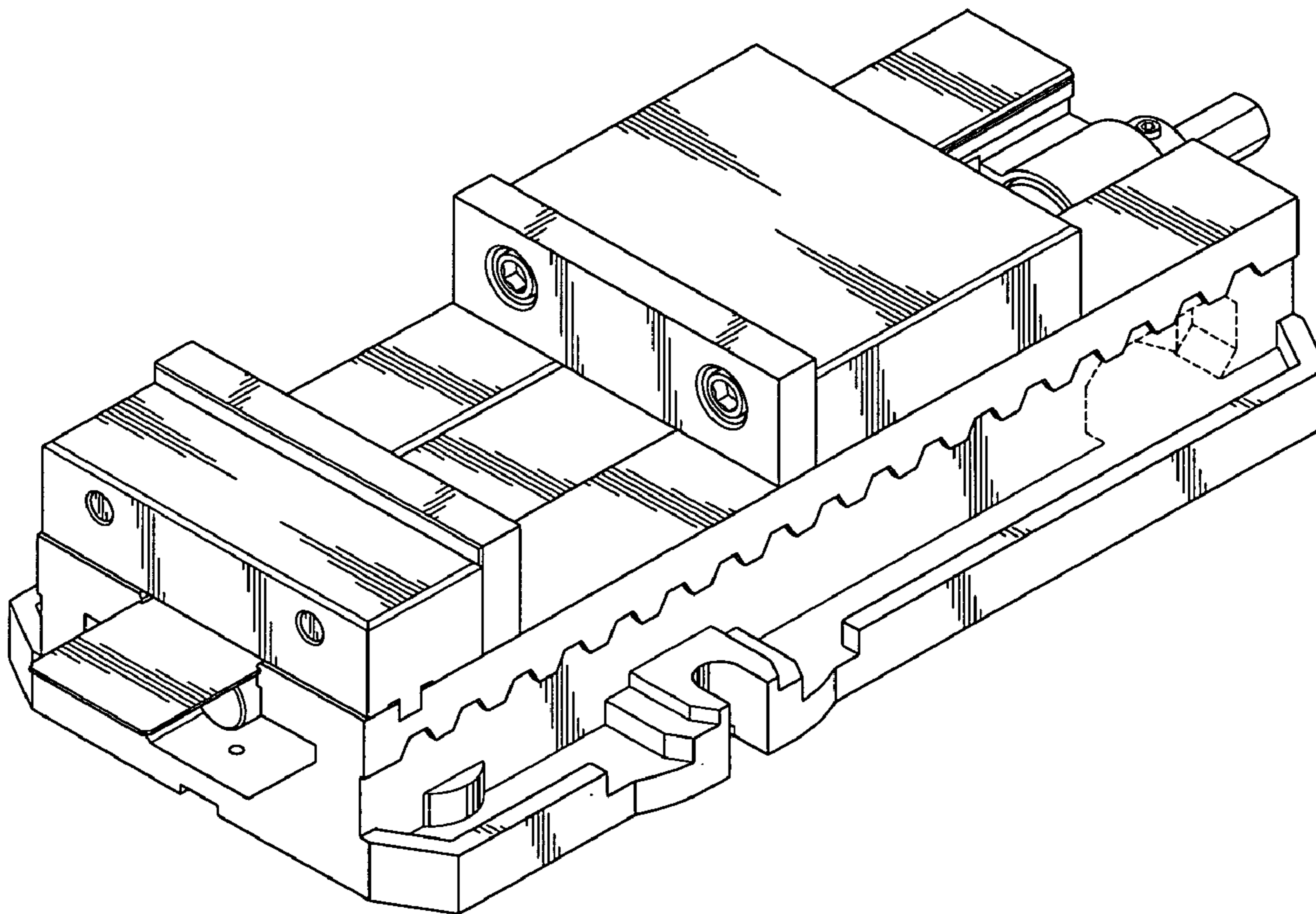
FIG. 6 is a top plan view thereof;

FIG. 7 is a bottom plan view thereof; and,

FIG. 8 is a second perspective view of a clamp showing our new design.

The broken line portion of the figure drawings is included to show unclaimed subject matter only and forms no part of the claimed design.

**1 Claim, 8 Drawing Sheets**



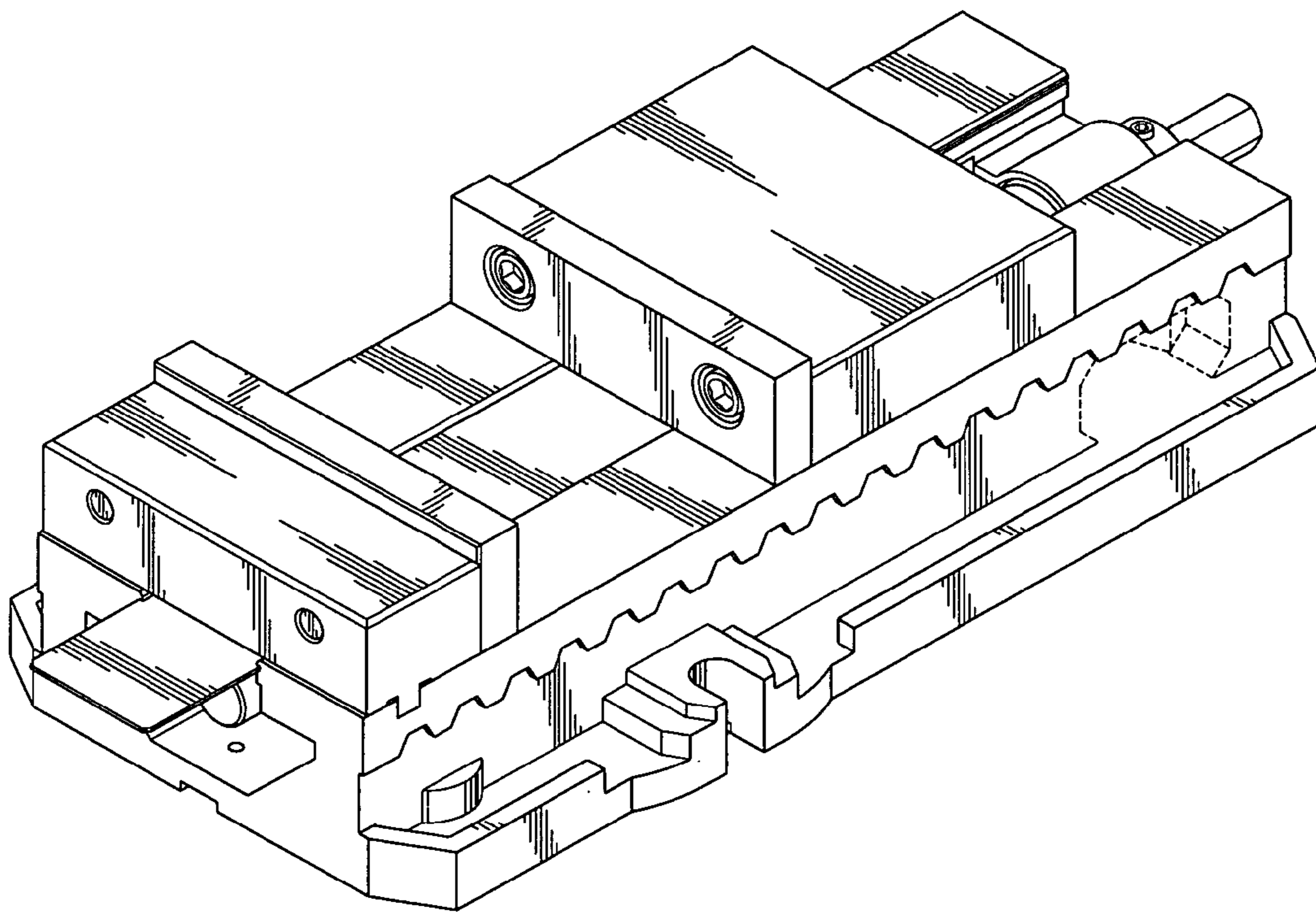
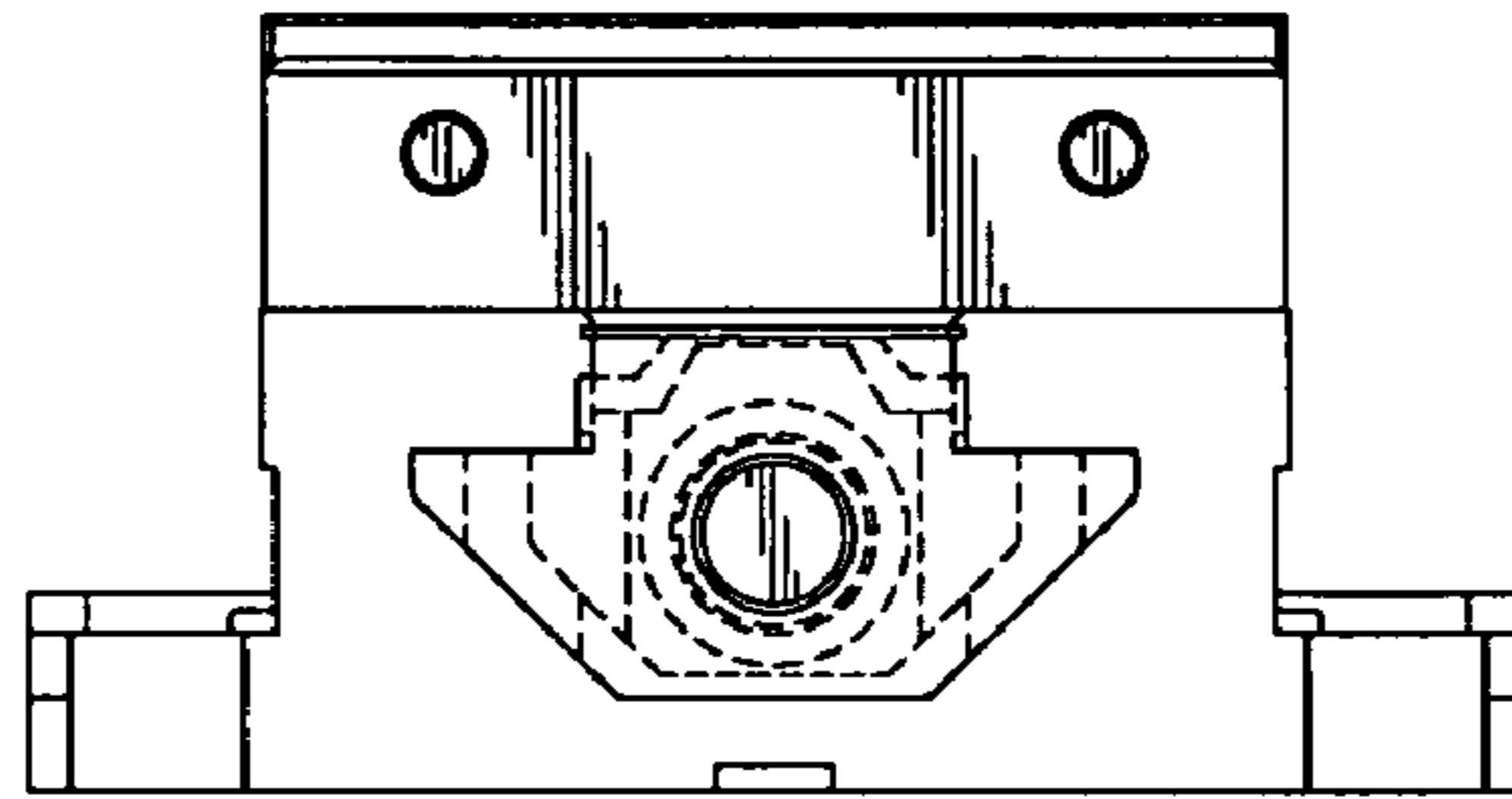
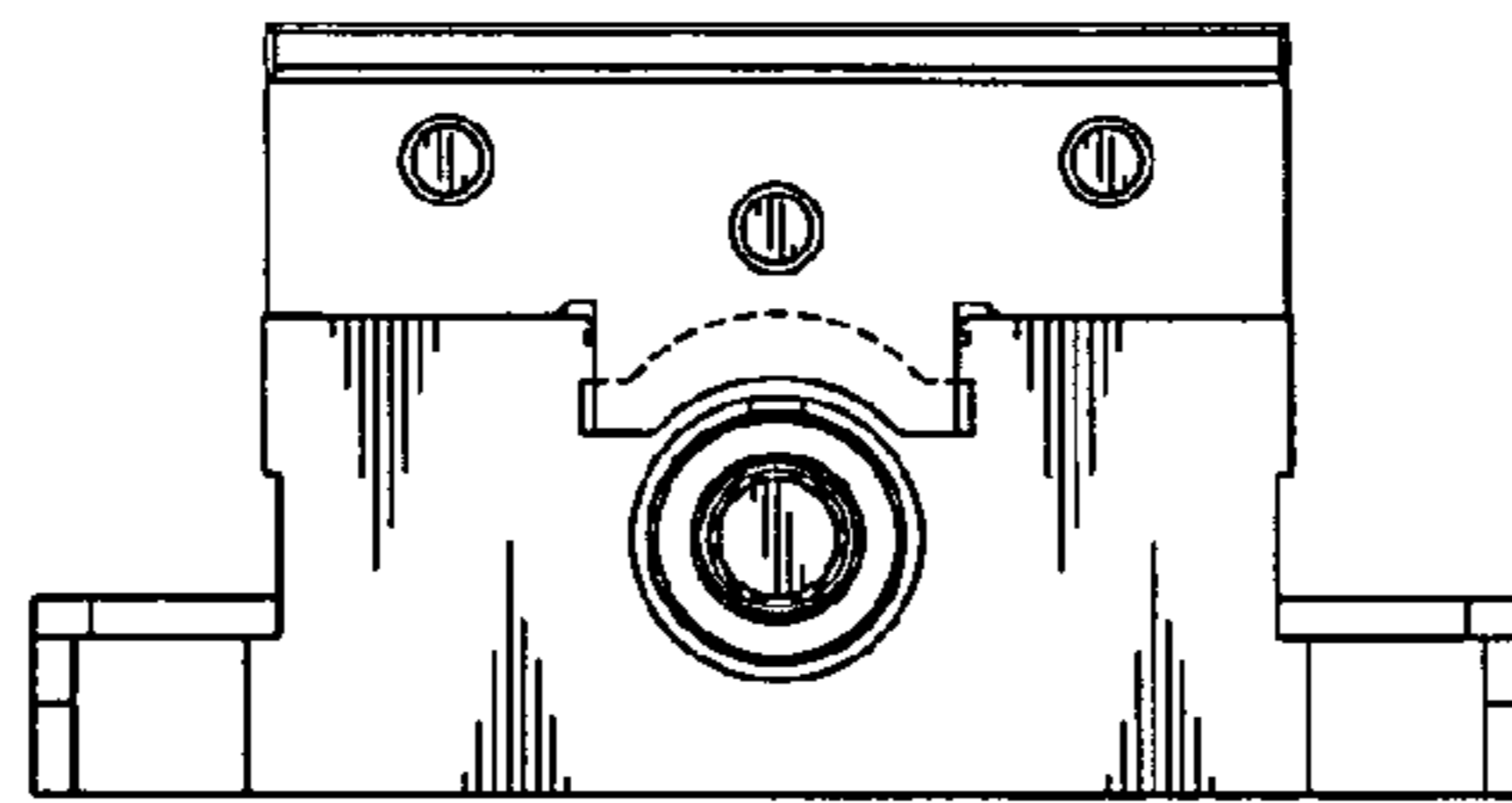


FIG. 1



**FIG. 2**



**FIG. 3**

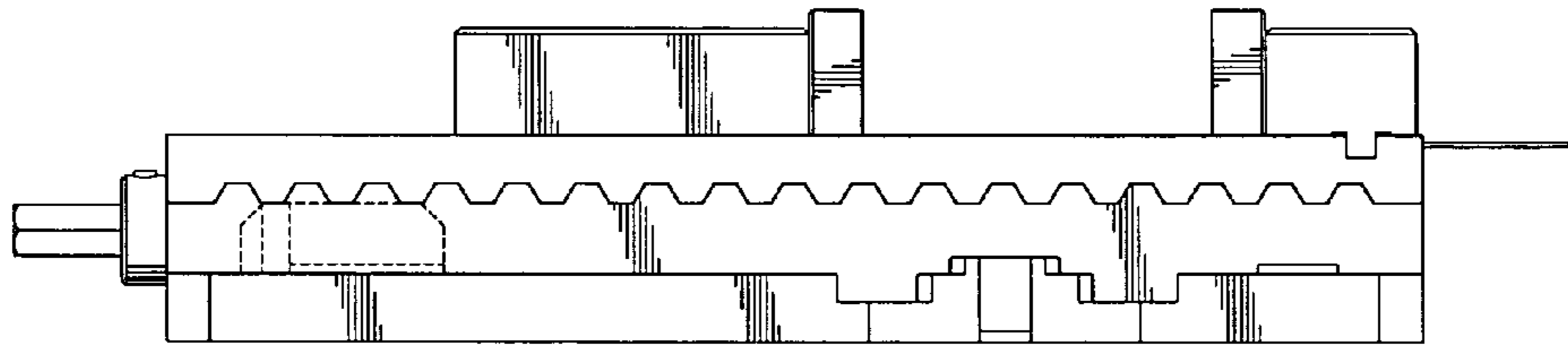


FIG. 4

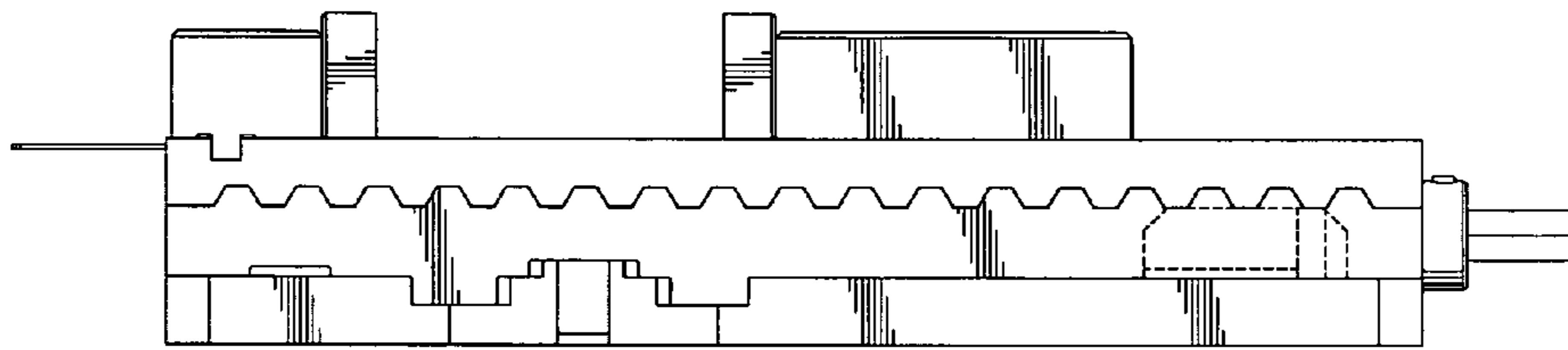


FIG. 5

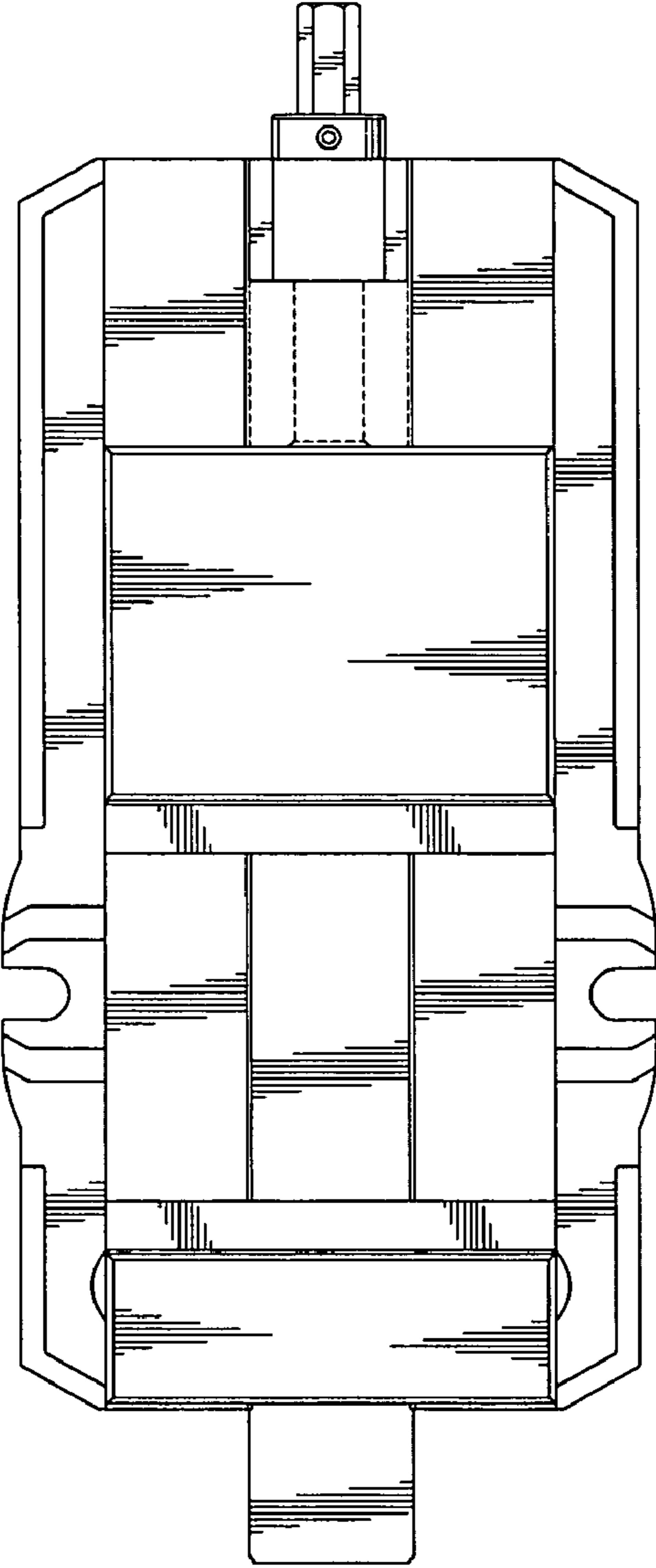


FIG. 6

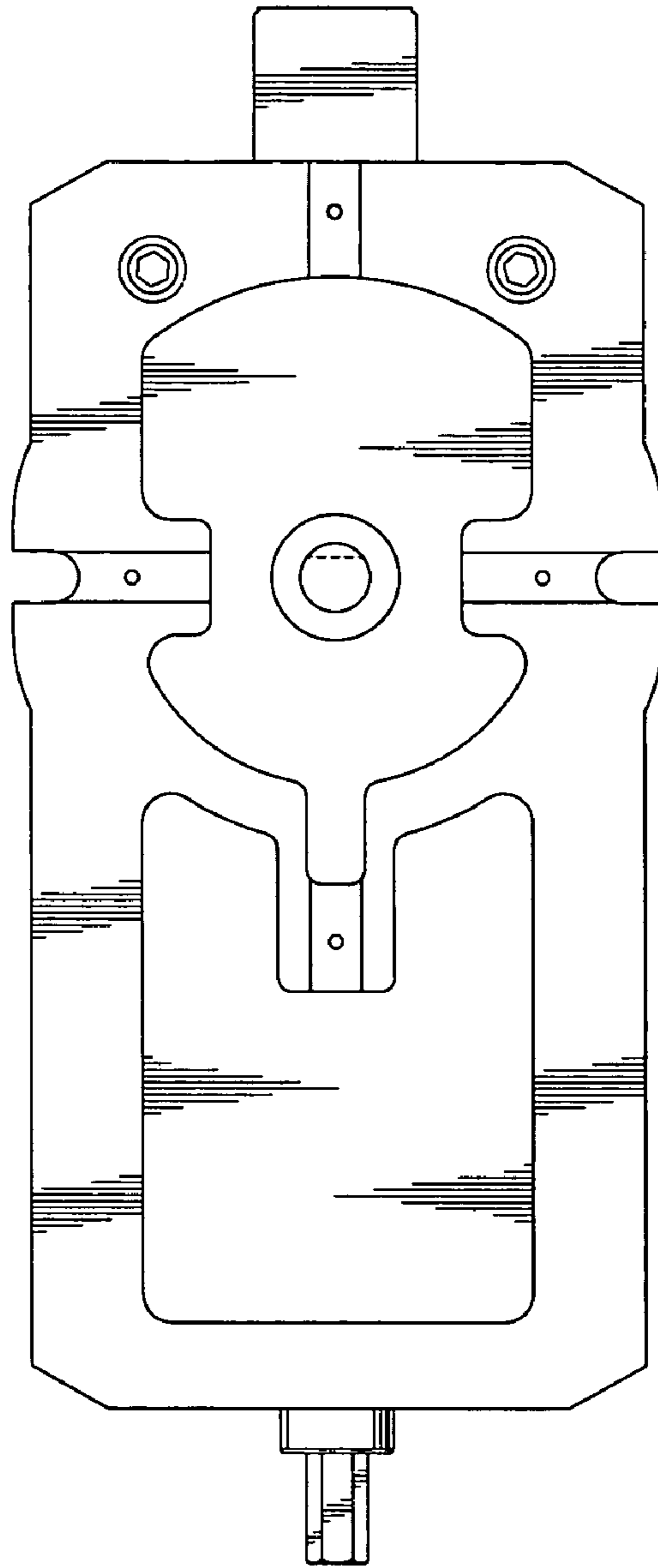


FIG. 7



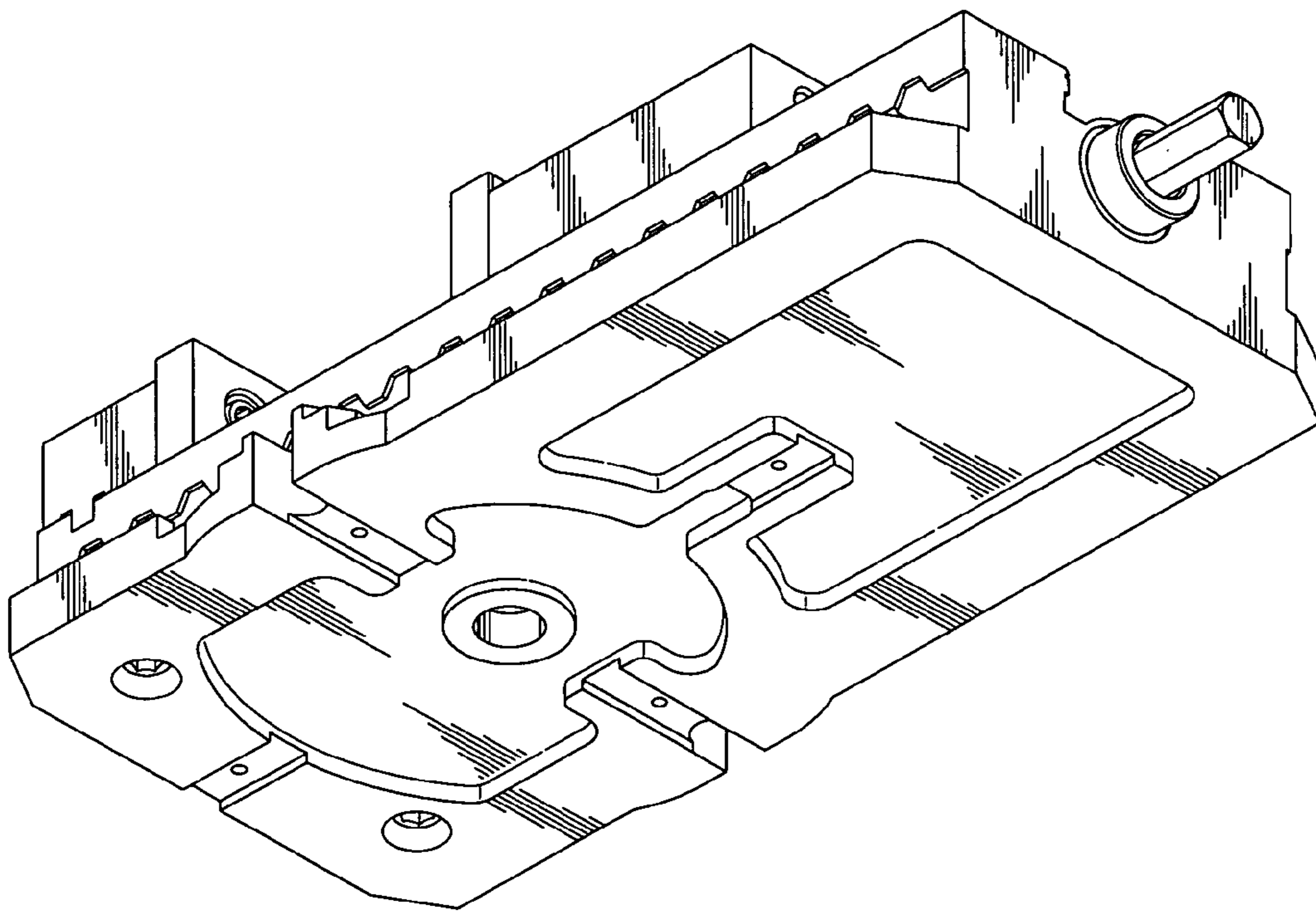


FIG. 8