



US00D647380S

(12) **United States Design Patent**  
**Bondeson et al.**

(10) **Patent No.:** **US D647,380 S**  
(45) **Date of Patent:** **\*\* Oct. 25, 2011**

(54) **COVER FOR AN ADHESIVE DISPENSING GUN**

6,499,629 B1 12/2002 Colangelo et al.  
6,533,187 B2 \* 3/2003 May ..... 239/1  
7,025,081 B2 4/2006 Colangelo et al.

(Continued)

(75) Inventors: **Benjamin J. Bondeson**, Suwanee, GA (US); **Christopher R. Chastine**, Lawrenceville, GA (US); **Brett A. Pearson**, Johns Creek, GA (US); **Paula E. Ruse**, Lawrenceville, GA (US)

FOREIGN PATENT DOCUMENTS

DE 3214726 A1 10/1983  
(Continued)

(73) Assignee: **Nordson Corporation**, Westlake, OH (US)

OTHER PUBLICATIONS

Nordson Corporation, Select Series (™) Hot Melt Dispensing Guns and Hoses, Brochure, Apr. 2006.

(\*\*) Term: **14 Years**

(Continued)

(21) Appl. No.: **29/364,825**

*Primary Examiner* — Antoine D Davis

(22) Filed: **Jun. 29, 2010**

(74) *Attorney, Agent, or Firm* — Wood, Herron & Evans, L.L.P.

(51) **LOC (9) Cl.** ..... **08-05**

(52) **U.S. Cl.** ..... **D8/70**

(58) **Field of Classification Search** ..... D8/14.1;  
219/230; 222/146.5, 153.14, 323, 473; 239/1,  
239/106, 112, 328, 323, 527, 528, 583

See application file for complete search history.

(57) **CLAIM**

The ornamental design for a cover for an adhesive dispensing gun, as shown and described.

**DESCRIPTION**

(56) **References Cited**

U.S. PATENT DOCUMENTS

2,025,509	A	12/1935	Hieber	
3,818,930	A	6/1974	Crum et al.	
4,245,759	A *	1/1981	Baker et al.	222/146.5
4,334,637	A	6/1982	Baker et al.	
4,711,379	A	12/1987	Price	
4,726,822	A	2/1988	Cates et al.	
4,752,670	A	6/1988	Traub et al.	
5,336,320	A	8/1994	Hogan et al.	
5,375,738	A	12/1994	Walsh et al.	
5,407,101	A	4/1995	Hubbard	
5,706,982	A	1/1998	Siddiqui et al.	
5,837,975	A	11/1998	Dillard et al.	
5,913,455	A	6/1999	La et al.	
5,934,520	A	8/1999	Byerly et al.	
6,056,155	A	5/2000	Byerly et al.	
6,175,101	B1	1/2001	Miller et al.	

FIG. 1 is a front perspective view of the cover for an adhesive dispensing gun according to the invention.

FIG. 2 is a front view of the cover for an adhesive dispensing gun according to the invention, the rear view being a mirror image thereof.

FIG. 3 is a left side view of the cover for an adhesive dispensing gun according to the invention.

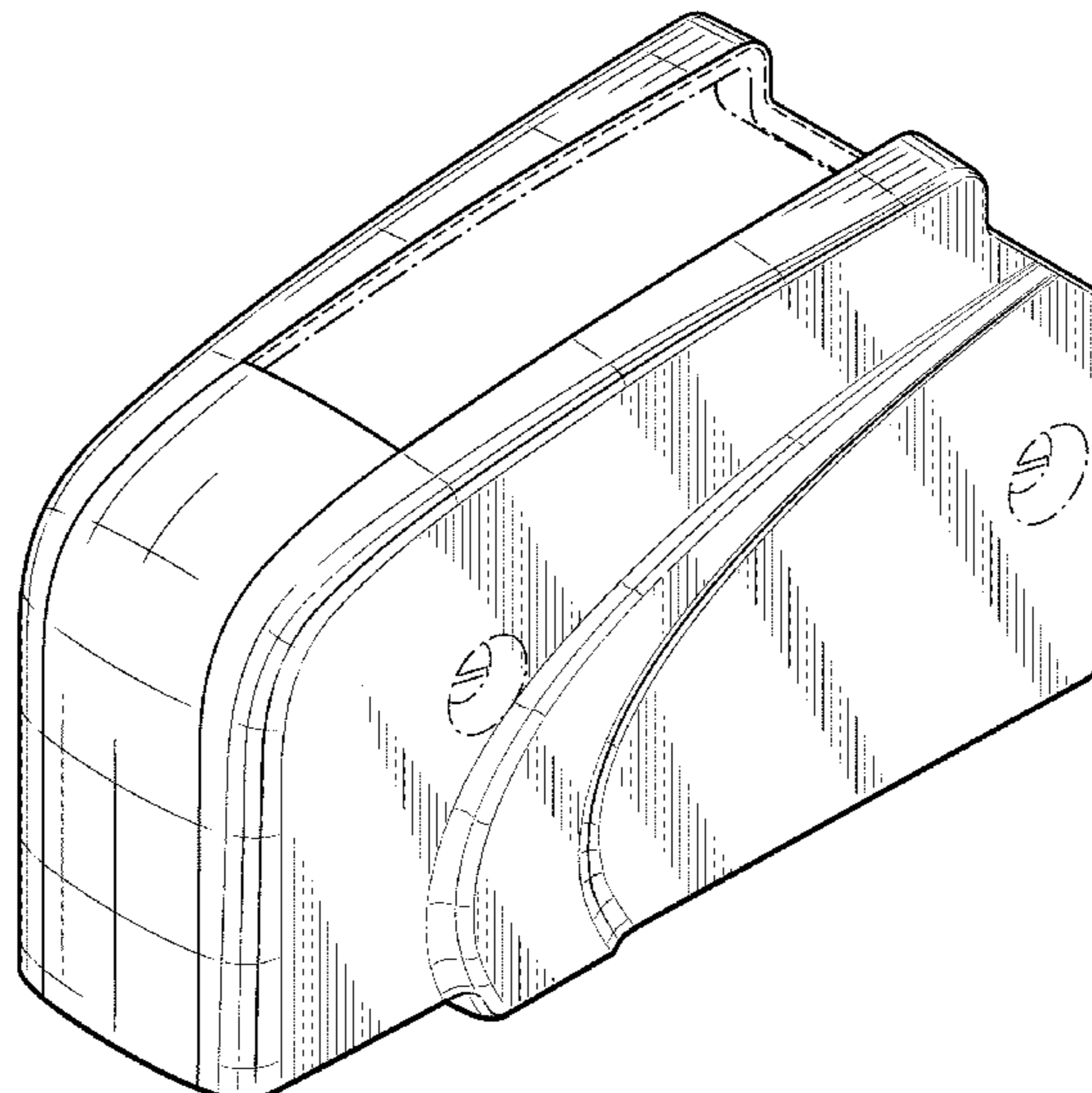
FIG. 4 is a right side view of the cover for an adhesive dispensing gun according to the invention.

FIG. 5 is a top view of the cover for an adhesive dispensing gun according to the invention; and,

FIG. 6 is a bottom view of the cover for an adhesive dispensing gun according to the invention.

Any elements shown in dash-dot lines form no part of the claimed invention in this application, and are instead included to show environmental aspects of the claimed invention.

**1 Claim, 2 Drawing Sheets**



# US D647,380 S

Page 2

---

## U.S. PATENT DOCUMENTS

D552,716 S 10/2007 Chastine et al.  
2002/0109019 A1\* 8/2002 May ..... 239/328  
2009/0294014 A1 12/2009 Sennrich

## FOREIGN PATENT DOCUMENTS

EP 0855228 A2 7/1998  
WO 98/10251 A1 3/1998

## OTHER PUBLICATIONS

Nordson Corporation, MiniBlue™ Hot Melt Dispensing Guns, Brochure, 2003.

Nordson Corporation, MiniBlue™ II Hot Melt Dispensing Applicators, Brochure, 2010.

\* cited by examiner

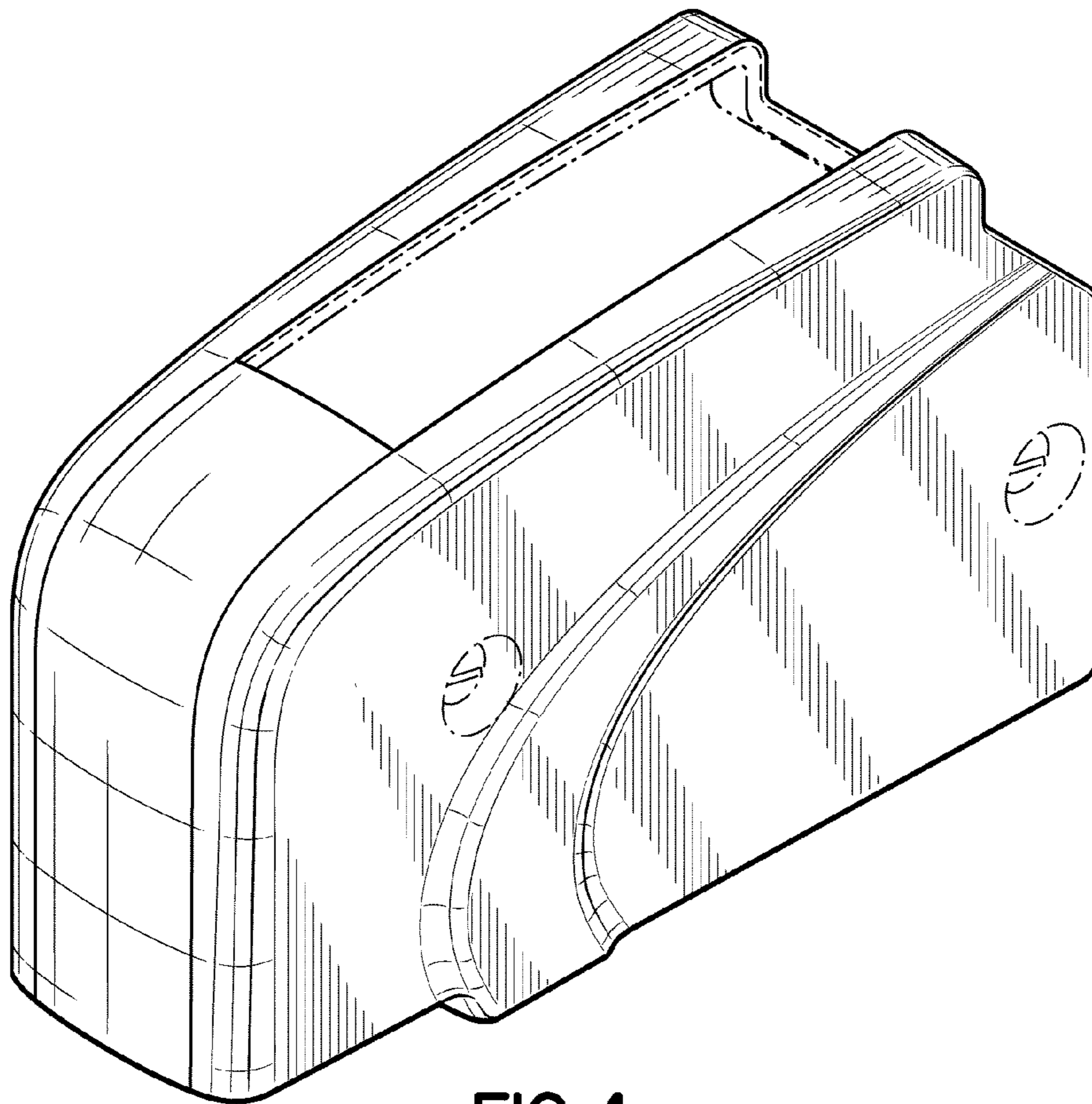


FIG. 1

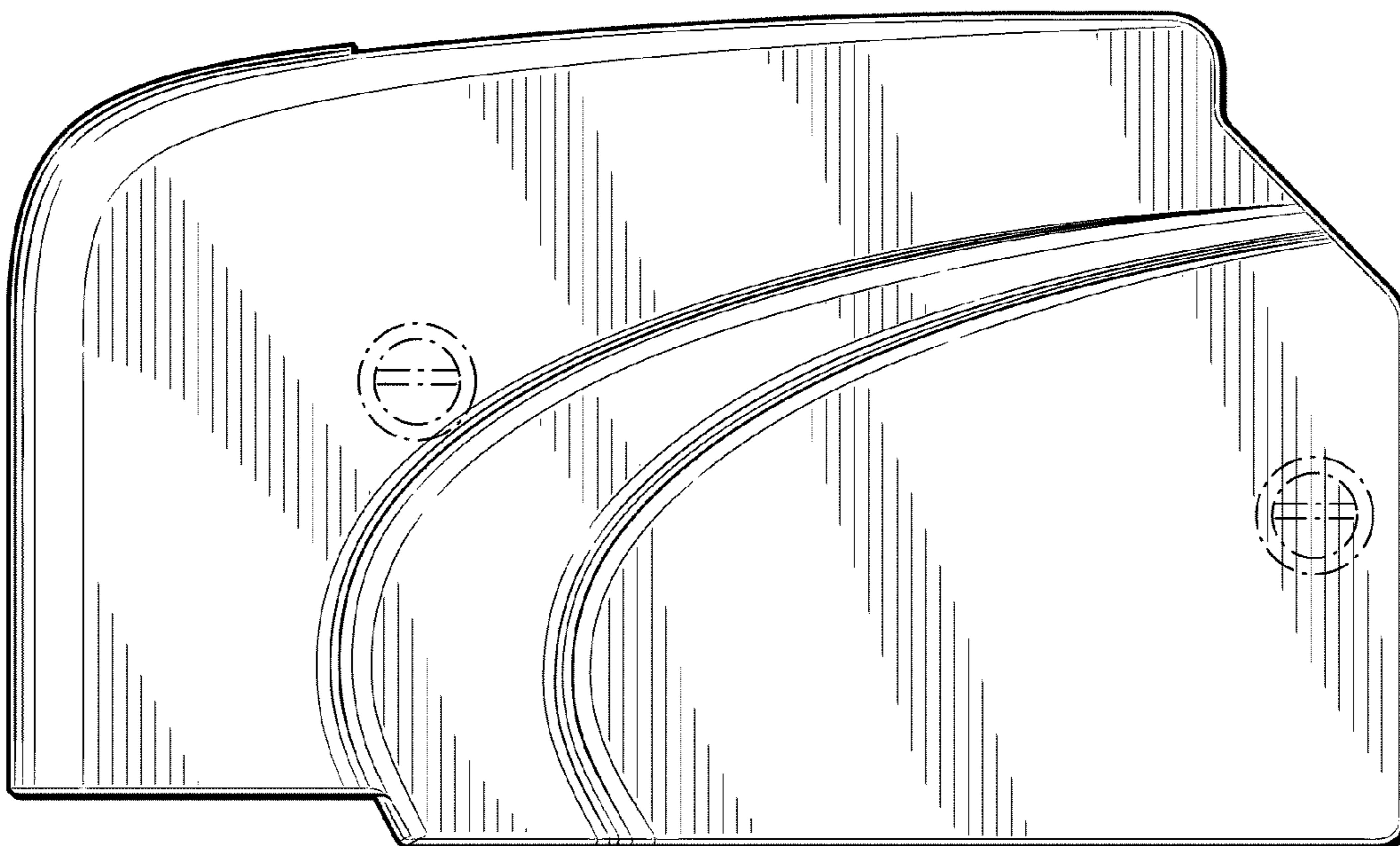


FIG. 2

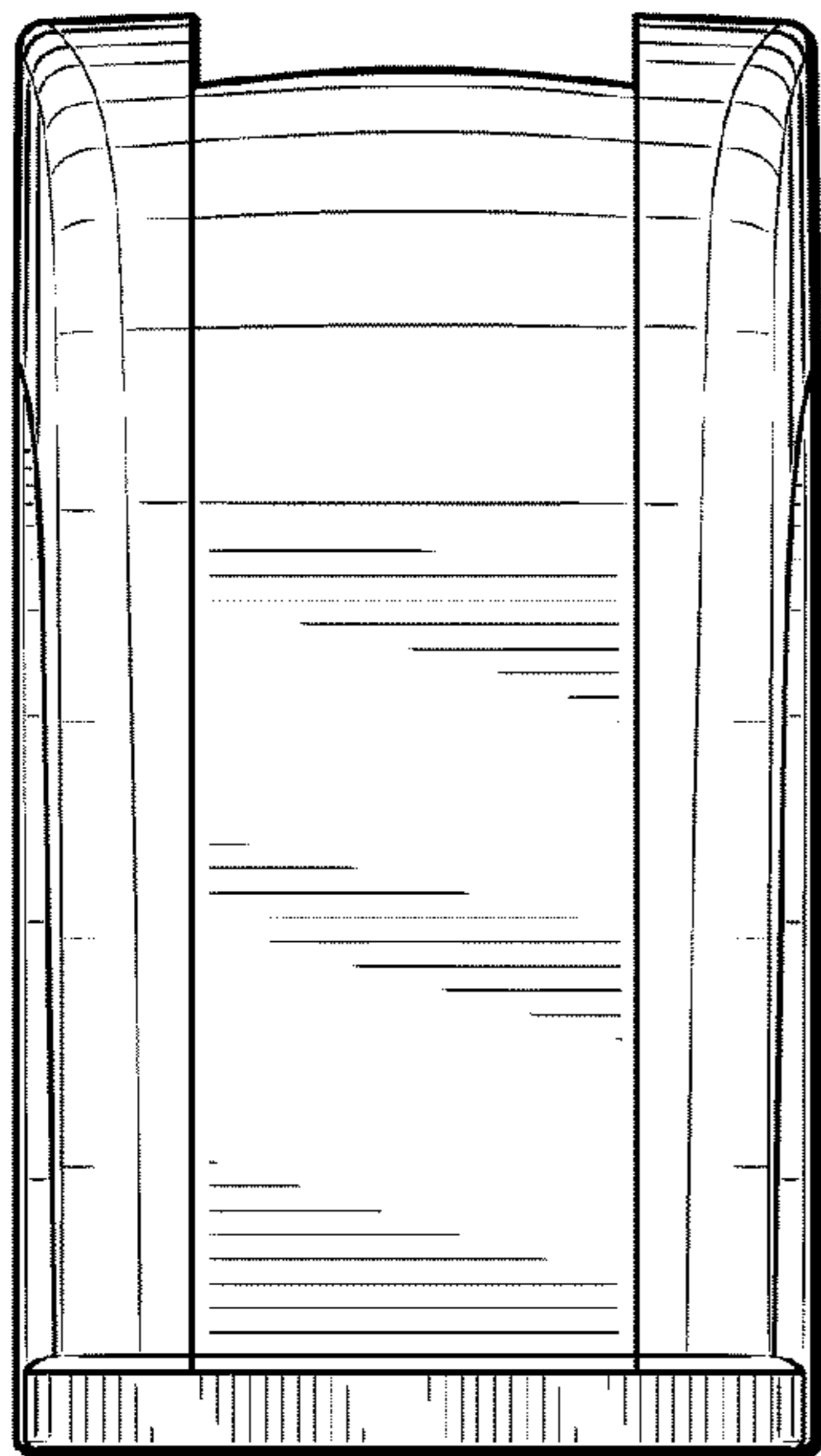


FIG. 3

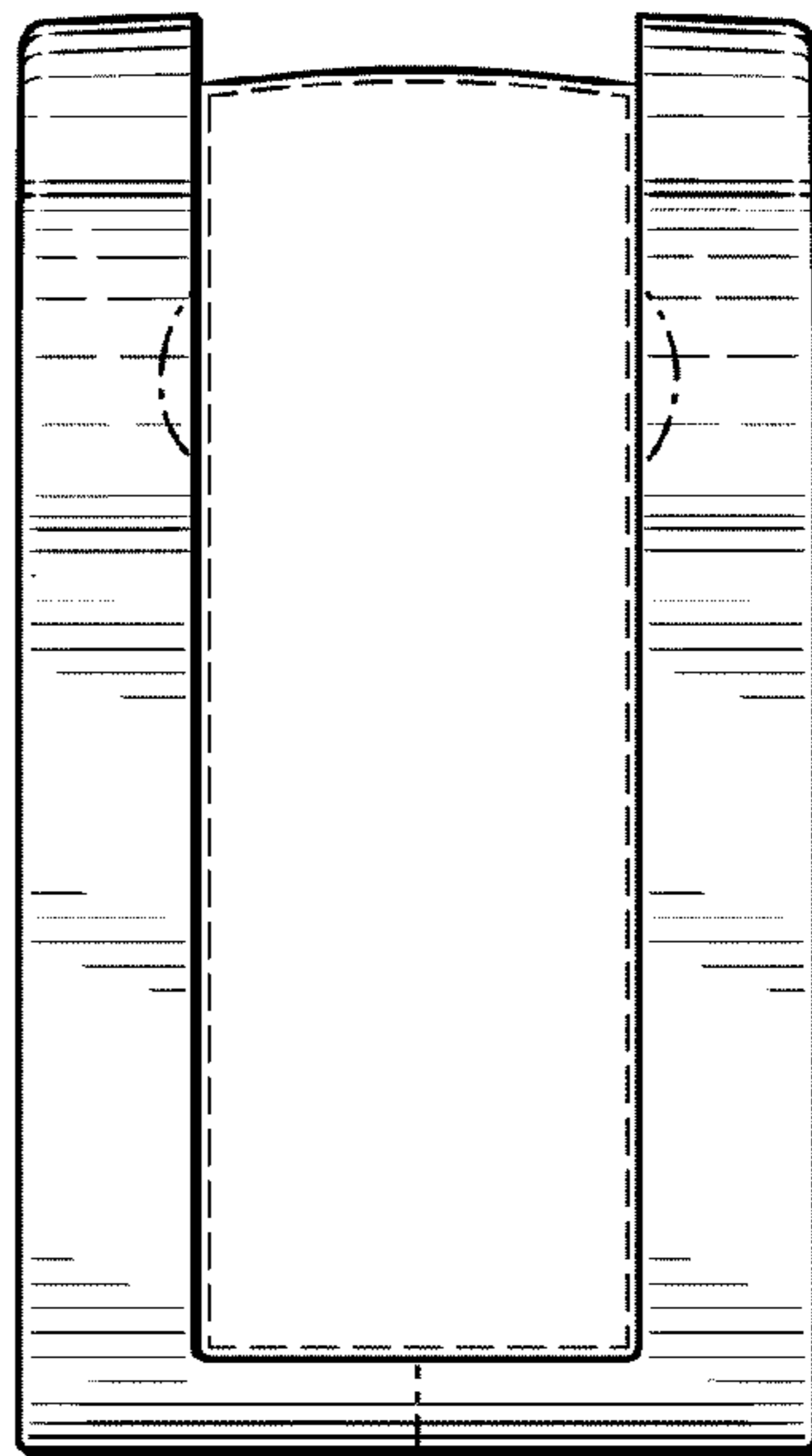


FIG. 4

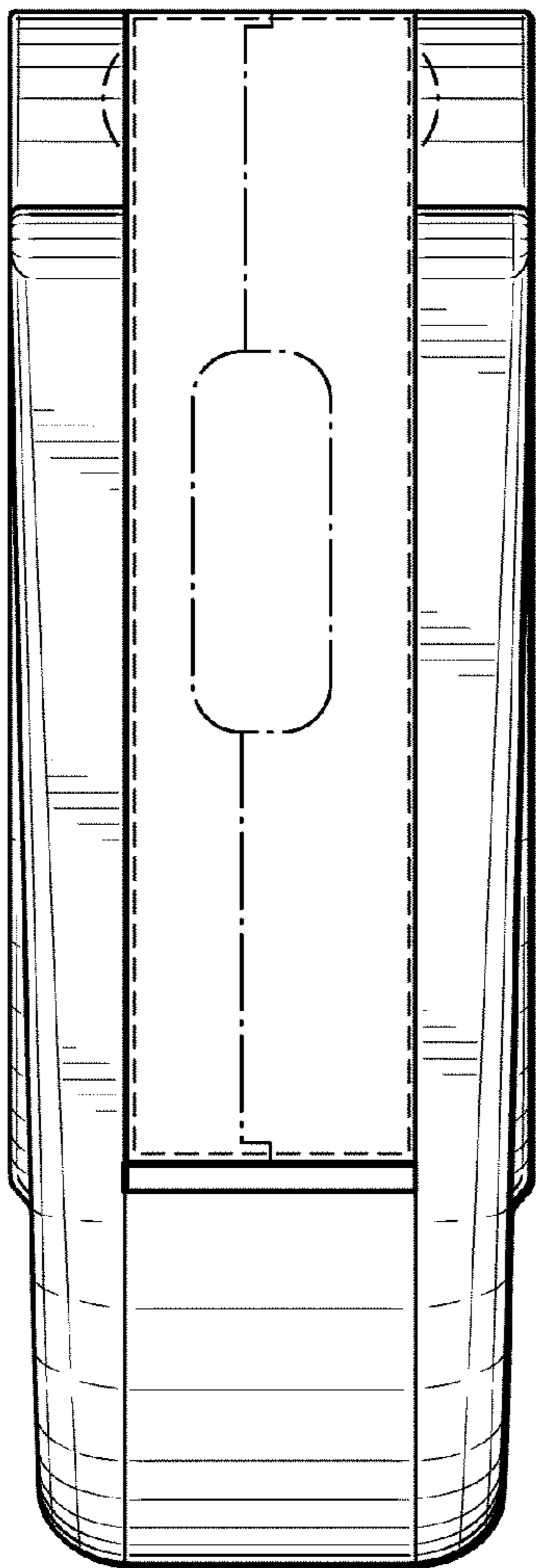


FIG. 5

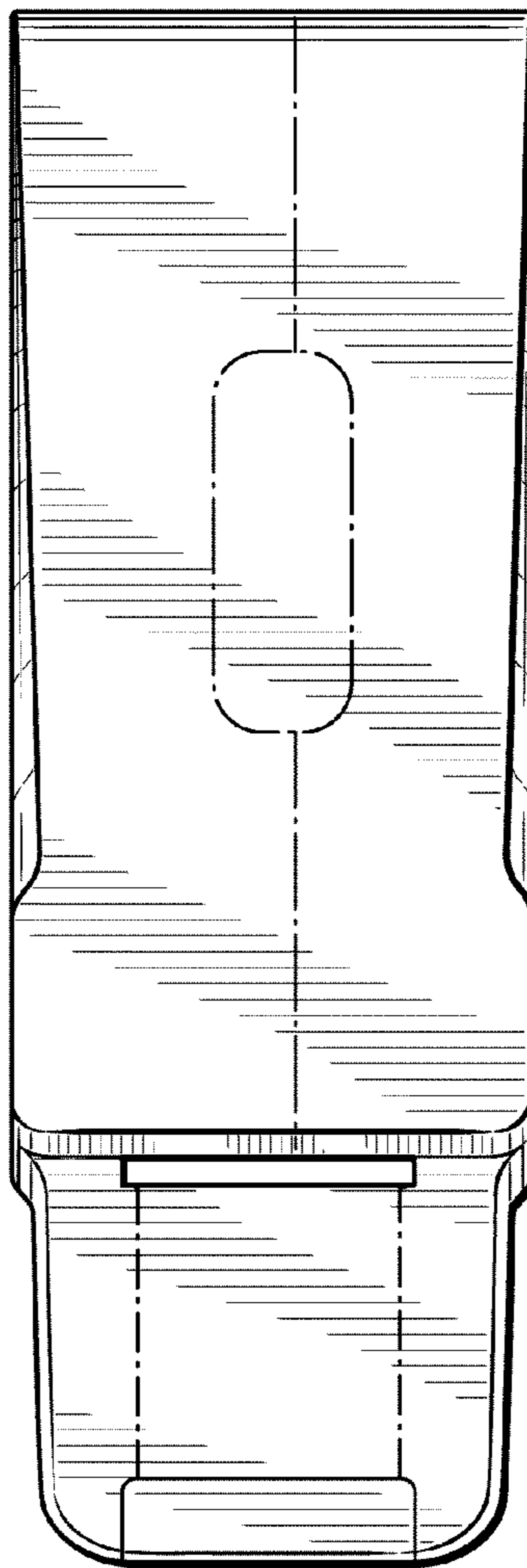


FIG. 6