

US00D647379S

(12) **United States Design Patent**  
**Aoyama et al.**

(10) **Patent No.:** **US D647,379 S**  
(45) **Date of Patent:** **\*\* Oct. 25, 2011**

(54) **PORTABLE ELECTRIC JIGSAW**  
(75) Inventors: **Syuuji Aoyama**, Aichi (JP); **Kenta Niwa**, Aichi (JP); **Naohiro Hayakawa**, Aichi (JP); **Fuzhi Zhang**, Jiangsu (JP)

D560,989 S 2/2008 Yamamoto et al.  
D566,504 S 4/2008 Hayakawa et al.  
D581,761 S \* 12/2008 Van Wambeke ..... D8/64  
D584,589 S \* 1/2009 Van Wambeke ..... D8/64  
D634,171 S \* 3/2011 Hayakawa et al. .... D8/64  
D639,630 S \* 6/2011 Kawase et al. .... D8/64

(73) Assignee: **Makita Corporation**, Anjo-shi (JP)

\* cited by examiner

(\*\*) Term: **14 Years**

*Primary Examiner* — Austin Murphy

(21) Appl. No.: **29/391,072**

(74) *Attorney, Agent, or Firm* — Posz Law Group, PLC

(22) Filed: **May 3, 2011**

(30) **Foreign Application Priority Data**

Dec. 8, 2010 (JP) ..... 2010-029284

(51) **LOC (9) Cl.** ..... **08-03**

(52) **U.S. Cl.** ..... **D8/64**

(58) **Field of Classification Search** ..... D8/69,  
D8/68, 67, 66, 64, 61; 83/747, 699.21; 310/50;  
30/394, 393, 392, 391, 390, 377, 376; 173/216,  
173/217

See application file for complete search history.

(56) **References Cited**

**U.S. PATENT DOCUMENTS**

D409,469 S \* 5/1999 Niwa et al. .... D8/69  
D474,384 S \* 5/2003 Andriolo ..... D8/64  
D519,804 S \* 5/2006 Wu ..... D8/64  
D560,455 S \* 1/2008 Yamamoto et al. .... D8/64

(57) **CLAIM**

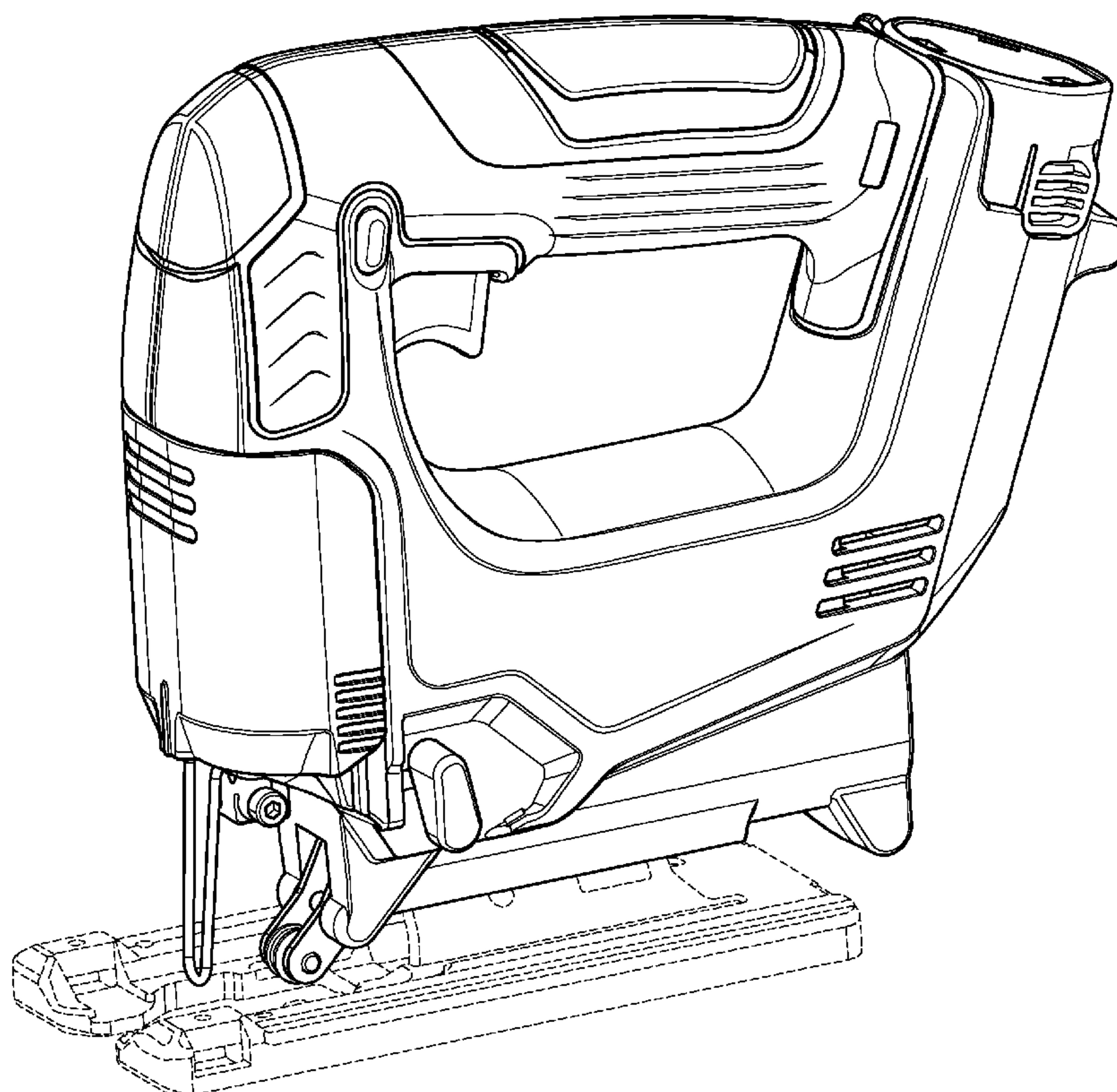
The ornamental design for a portable electric jigsaw, as shown and described.

**DESCRIPTION**

FIG. 1 is a perspective view of top, front, and right side of a portable electric jigsaw showing our new design;  
FIG. 2 is a front view thereof;  
FIG. 3 is a rear view thereof;  
FIG. 4 is a top view thereof;  
FIG. 5 is a bottom view thereof;  
FIG. 6 is a right view thereof;  
FIG. 7 is a left view thereof; and,  
FIG. 8 is a perspective view of FIG. 1 with the blade guard shown in an alternate position of use.

The broken lines and the areas within the broken lines are included for illustrative purposes only and form no part of the claimed design.

**1 Claim, 8 Drawing Sheets**



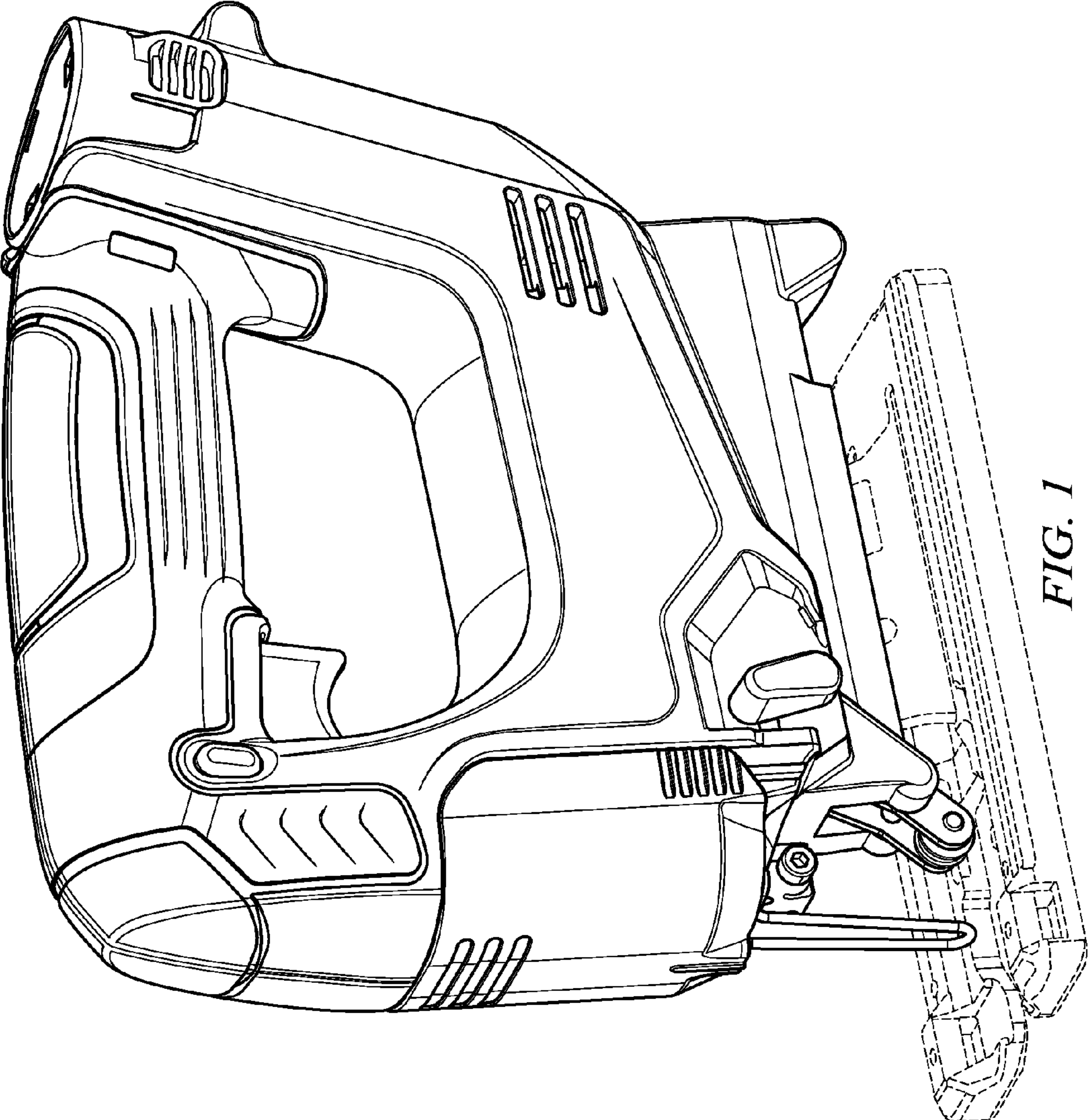


FIG. 1

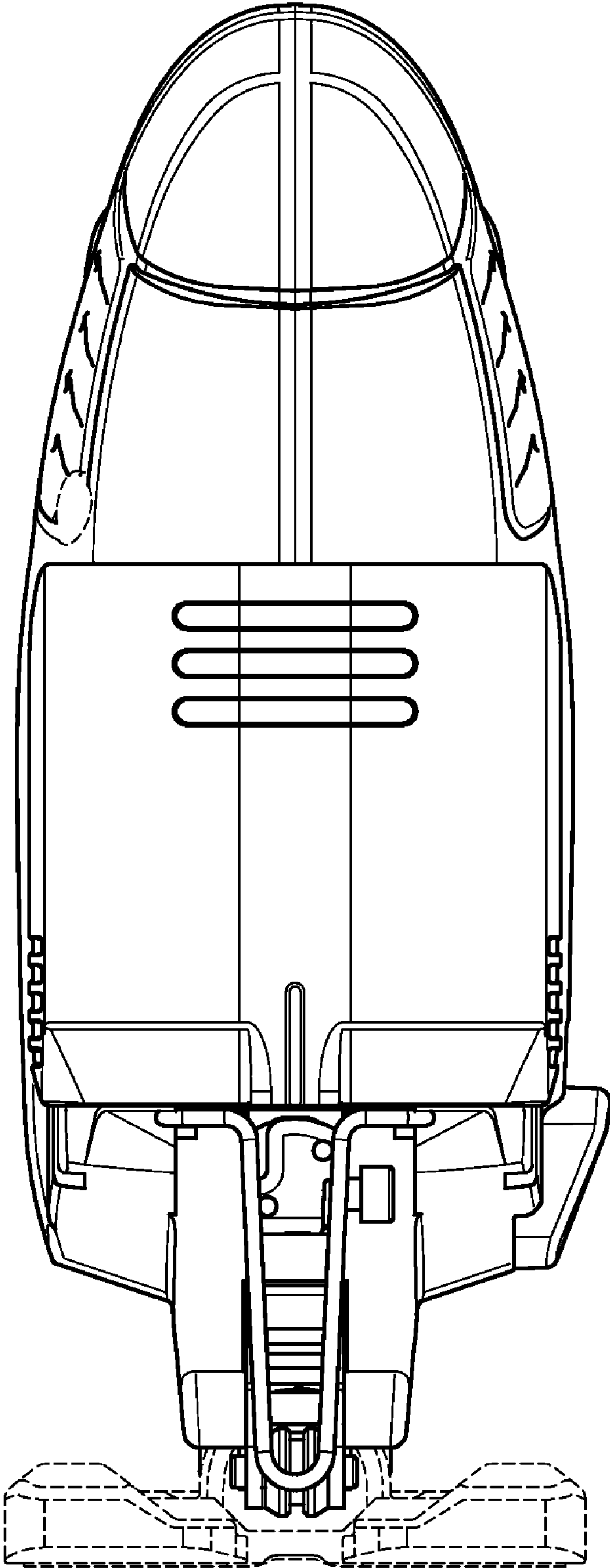
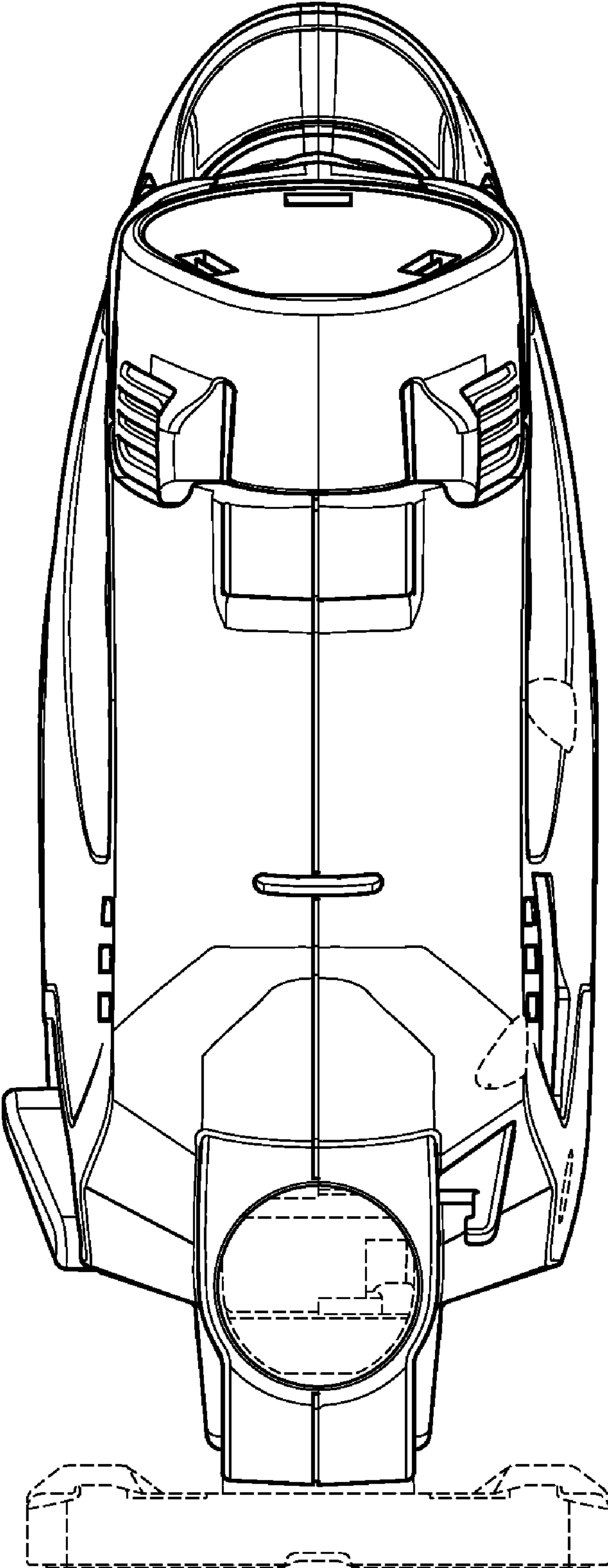


FIG. 2



*FIG. 3*



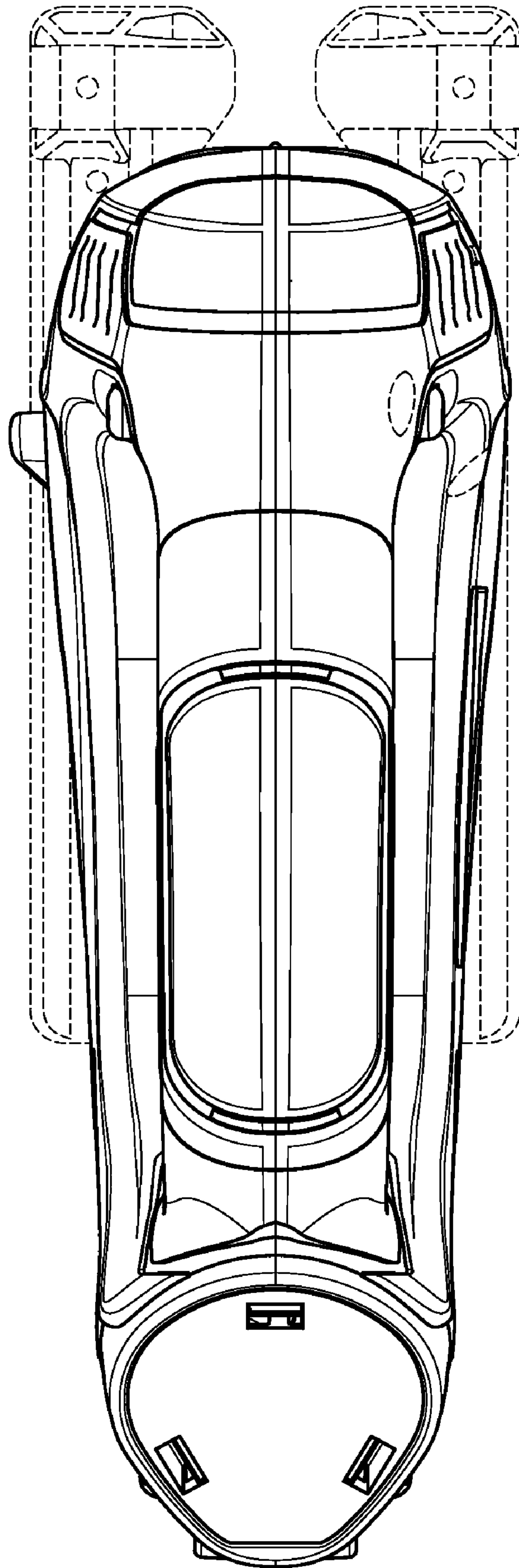


FIG. 4

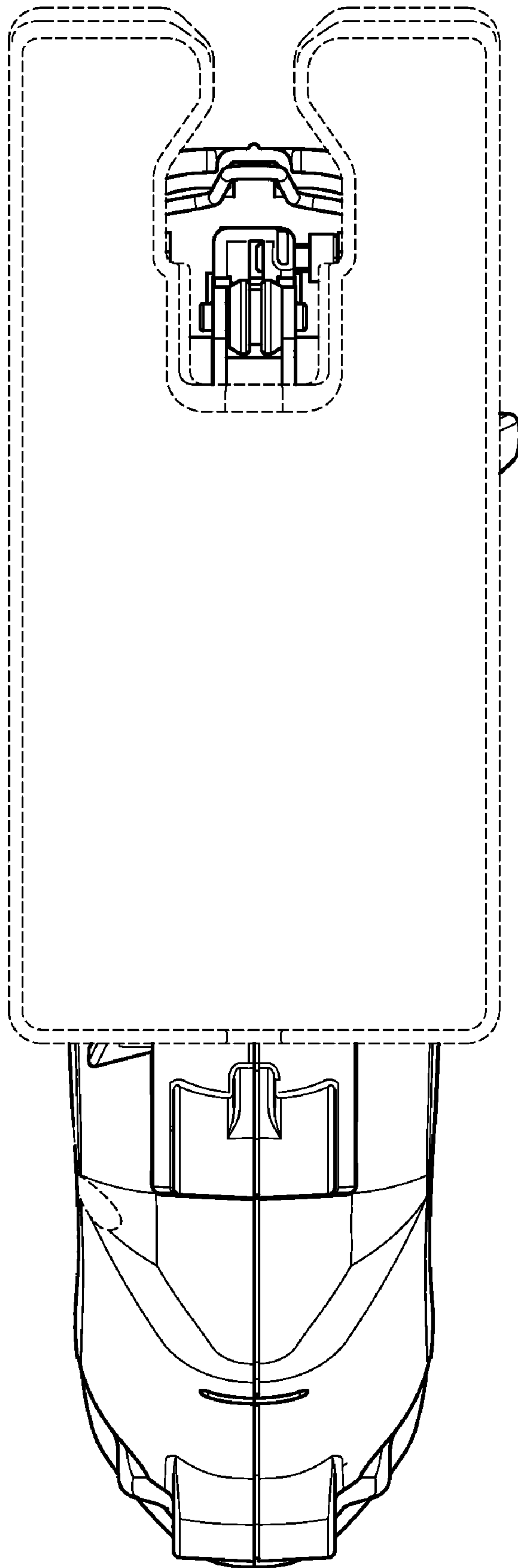


FIG. 5

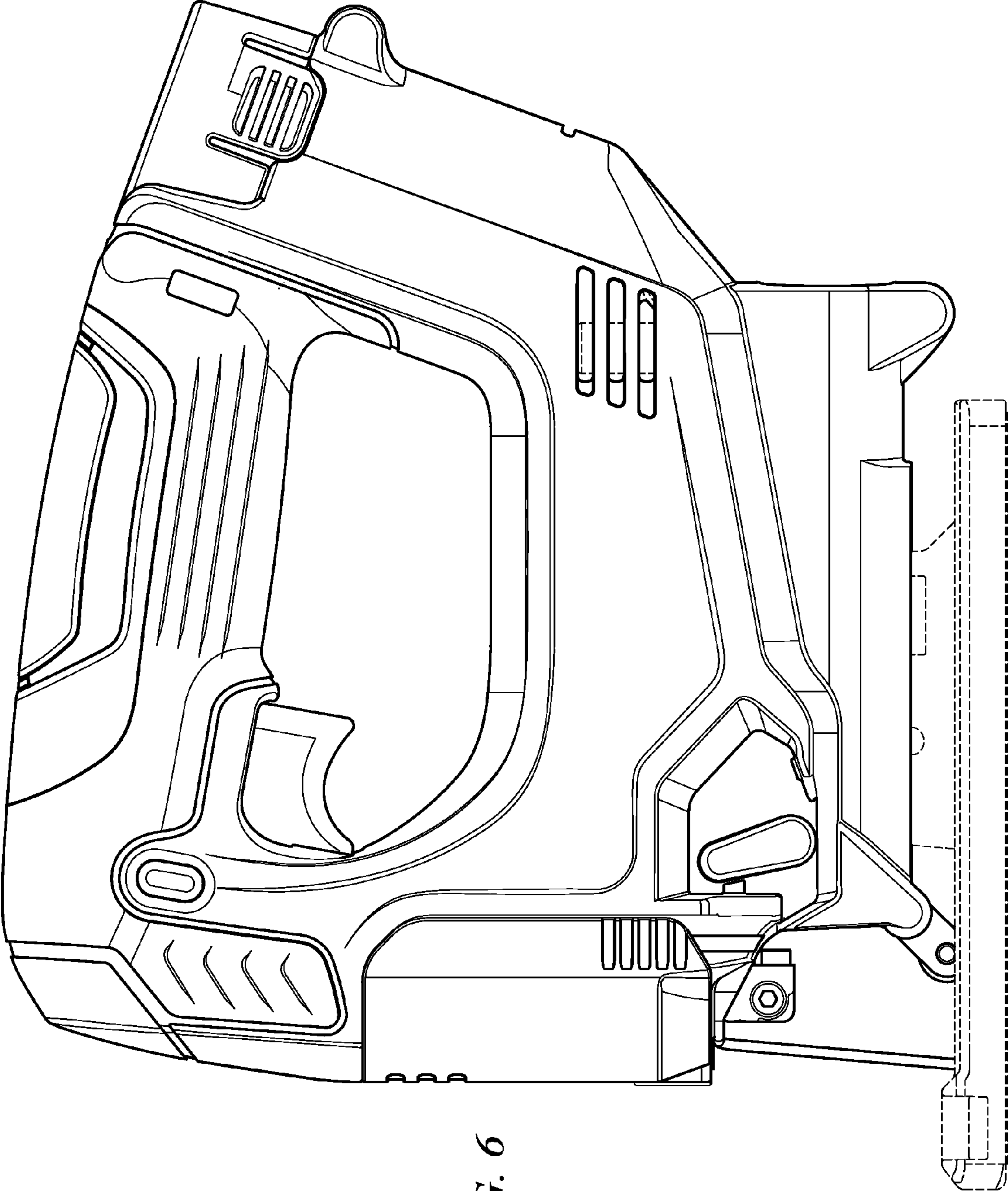
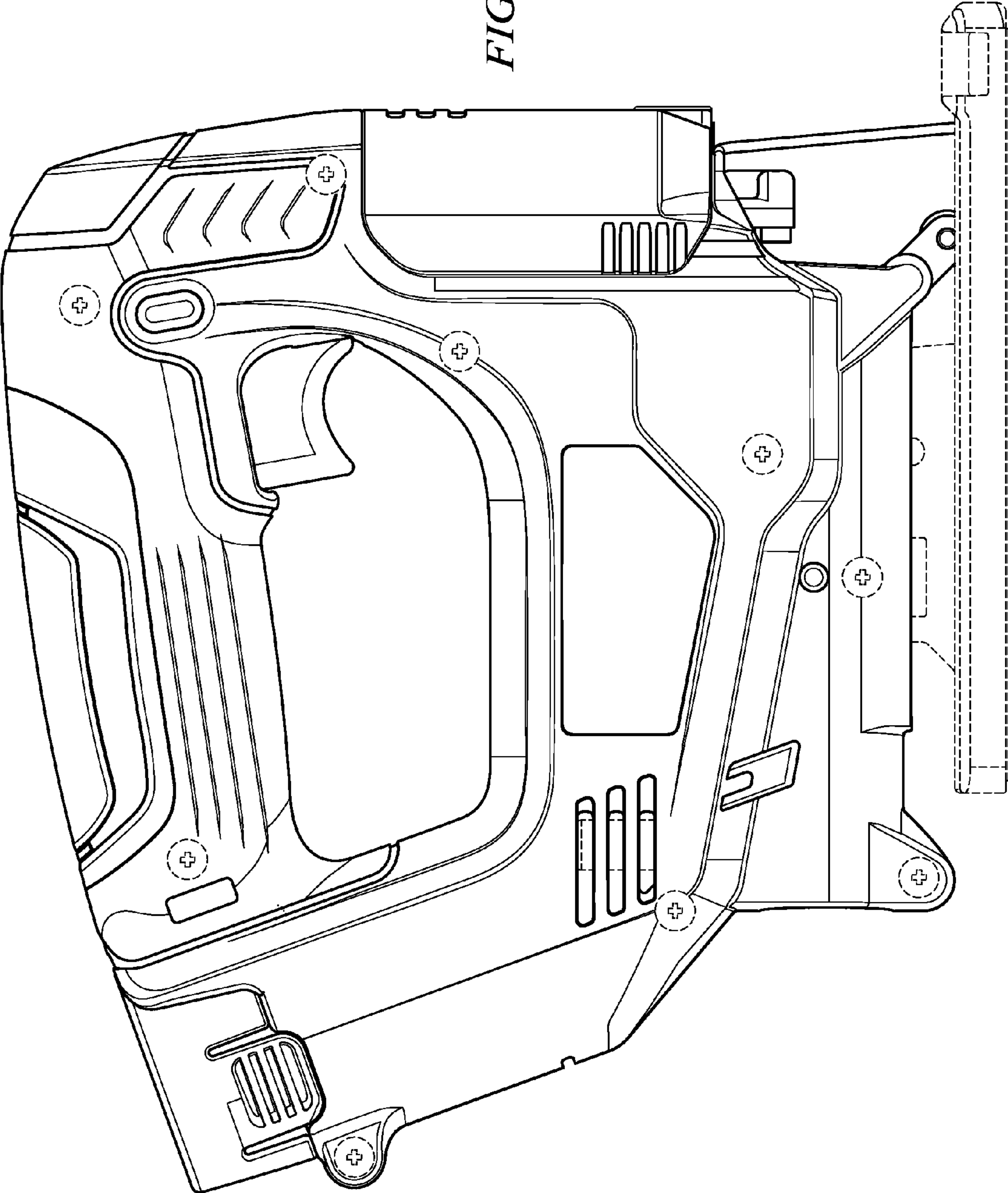


FIG. 6

FIG. 7





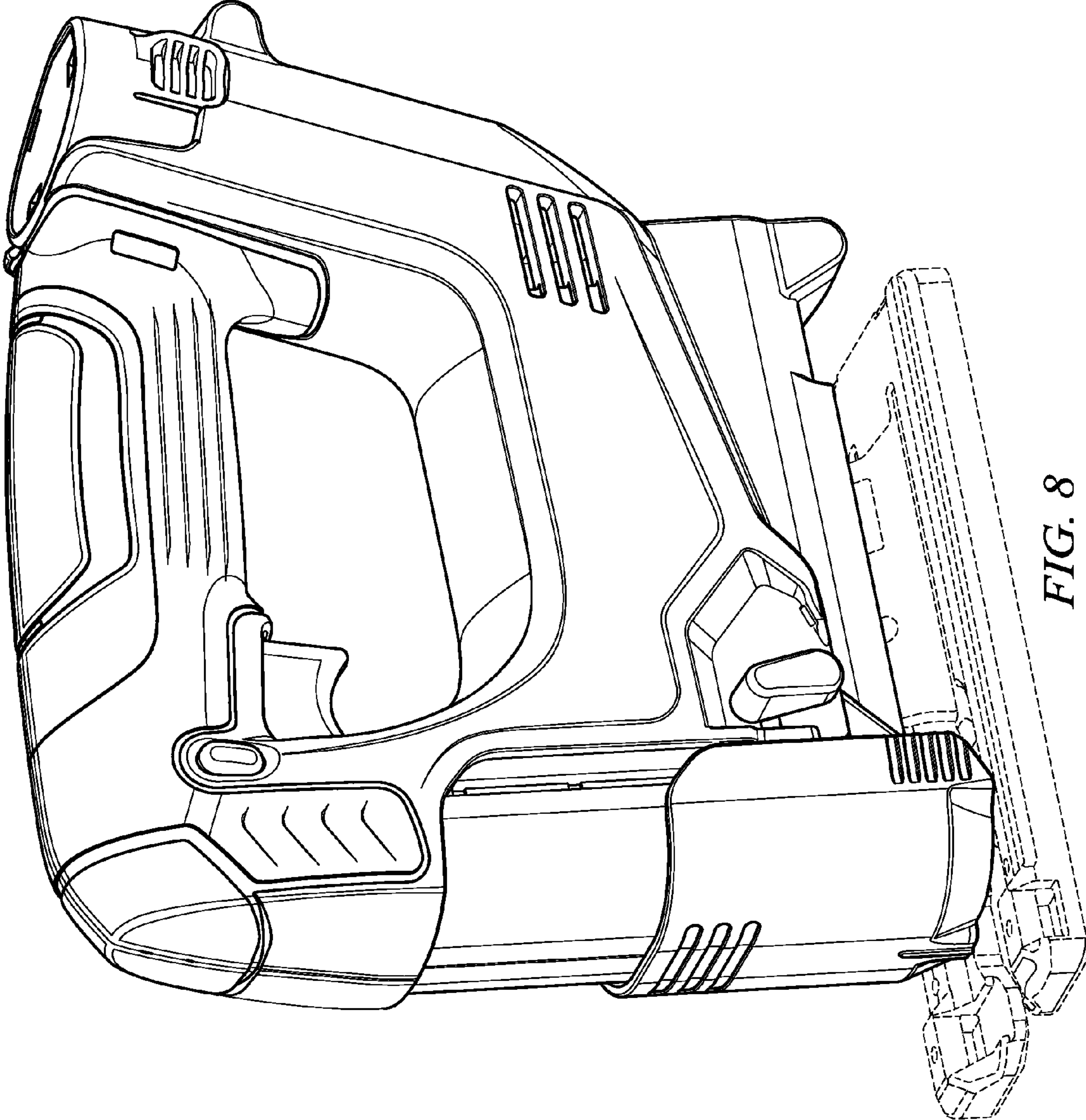


FIG. 8