



US00D647375S

(12) **United States Design Patent**
Hoff

(10) **Patent No.:** **US D647,375 S**

(45) **Date of Patent:** **** Oct. 25, 2011**

(54) **WATER BOX**

(75) **Inventor:** **Petrus Mattheus Maria Hoff,**
Roosendaal (NL)

(73) **Assignee:** **Holding P.M.M. Hoff B.V. (NL)**

(**) **Term:** **14 Years**

(21) **Appl. No.:** **29/357,957**

(22) **Filed:** **Mar. 19, 2010**

(30) **Foreign Application Priority Data**

Sep. 21, 2009 (EM) 1613886-0002

(51) **LOC (9) Cl.** **08-01**

(52) **U.S. Cl.** **D8/1**

(58) **Field of Classification Search** D8/1; D11/143,
D11/152; 47/48.5, 47, 38.1

See application file for complete search history.

(56) **References Cited**

U.S. PATENT DOCUMENTS

2,532,931 A * 12/1950 Miller 47/40.5
3,738,060 A * 6/1973 Jullien-Davin 47/81

4,087,938 A * 5/1978 Koch 47/48.5
D386,114 S * 11/1997 Carson D11/143
5,782,453 A * 7/1998 Tuzza et al. 248/523
D491,487 S * 6/2004 Buss D11/152
6,869,198 B1 * 3/2005 Garza 362/123
6,966,334 B2 * 11/2005 Bolster 137/434
D555,990 S * 11/2007 Shepardson D8/1
D620,065 S * 7/2010 Michel D21/815

* cited by examiner

Primary Examiner — Holly Baynham

Assistant Examiner — Sheryl Lane

(74) *Attorney, Agent, or Firm* — Altera Law Group, LLC

(57) **CLAIM**

The ornamental design for a water box, as shown and described.

DESCRIPTION

FIG. 1 is a perspective view of the top perspective view of the water box.

FIG. 2 is a top plan view thereof.

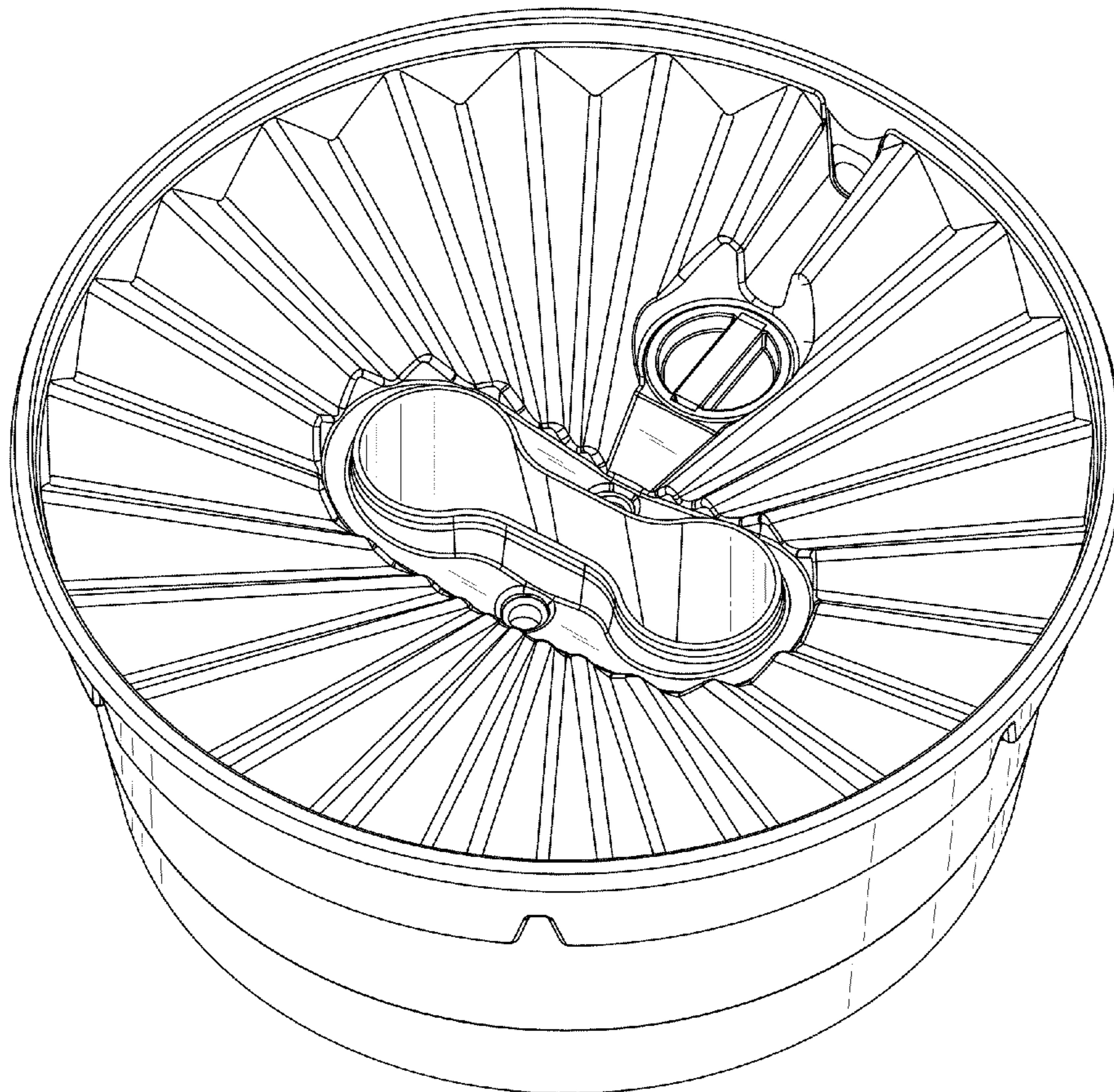
FIG. 3 is a bottom plan view thereof.

FIG. 4 is a side plan view thereof.

FIG. 5 is a side plan view thereof rotated 90°; and,

FIG. 6 is a bottom perspective view thereof.

1 Claim, 6 Drawing Sheets



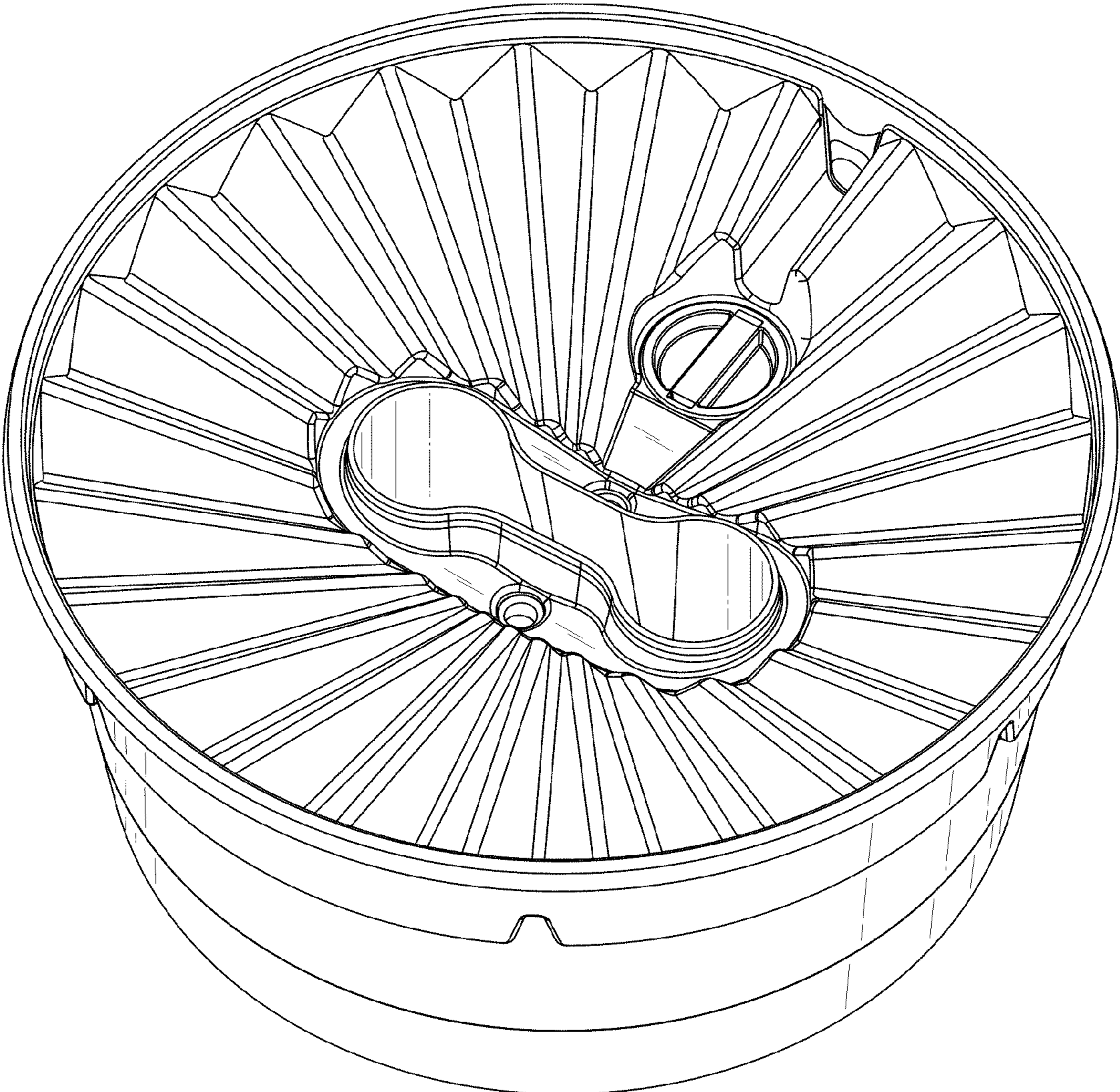


Fig. 1

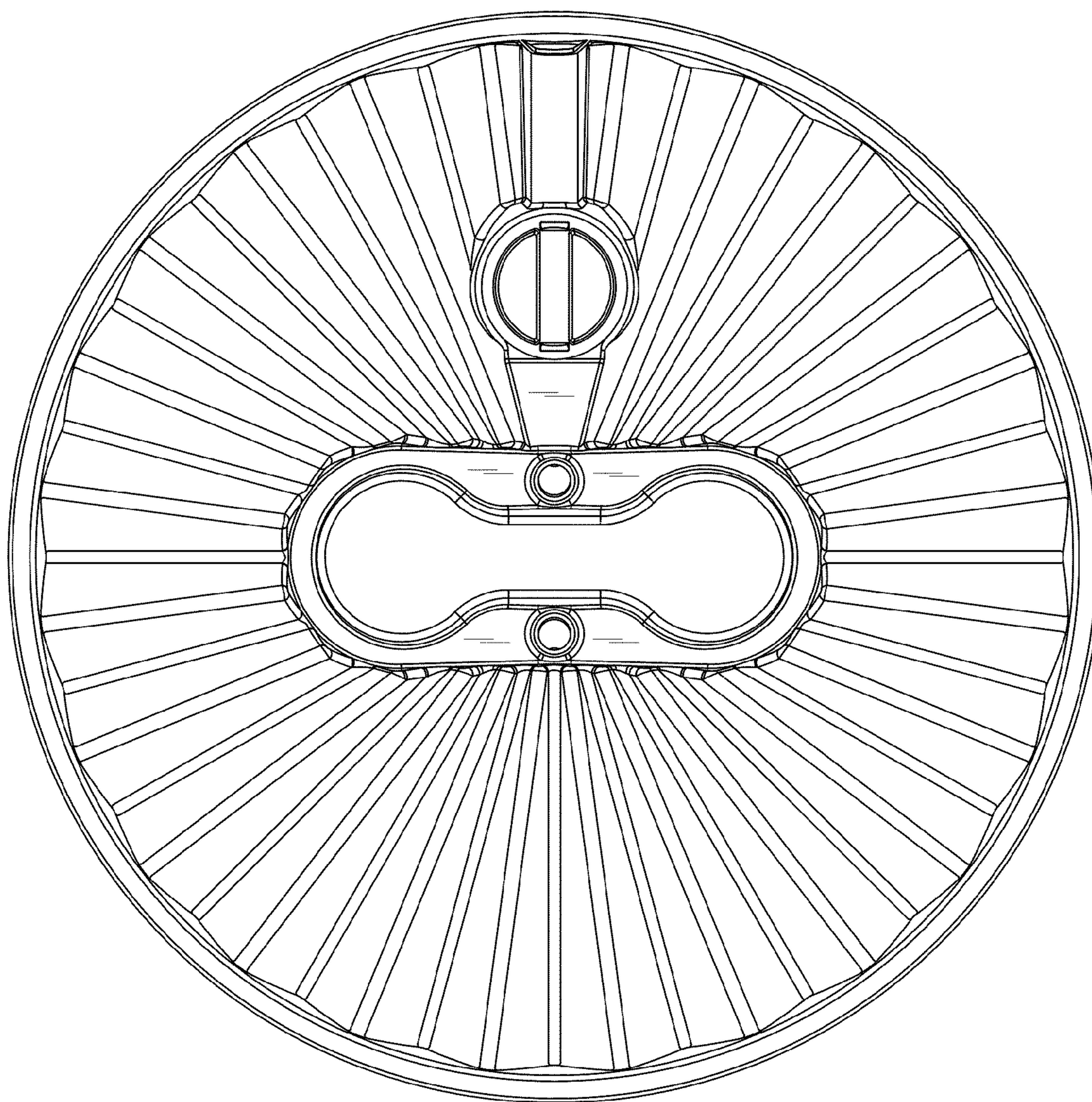


Fig. 2

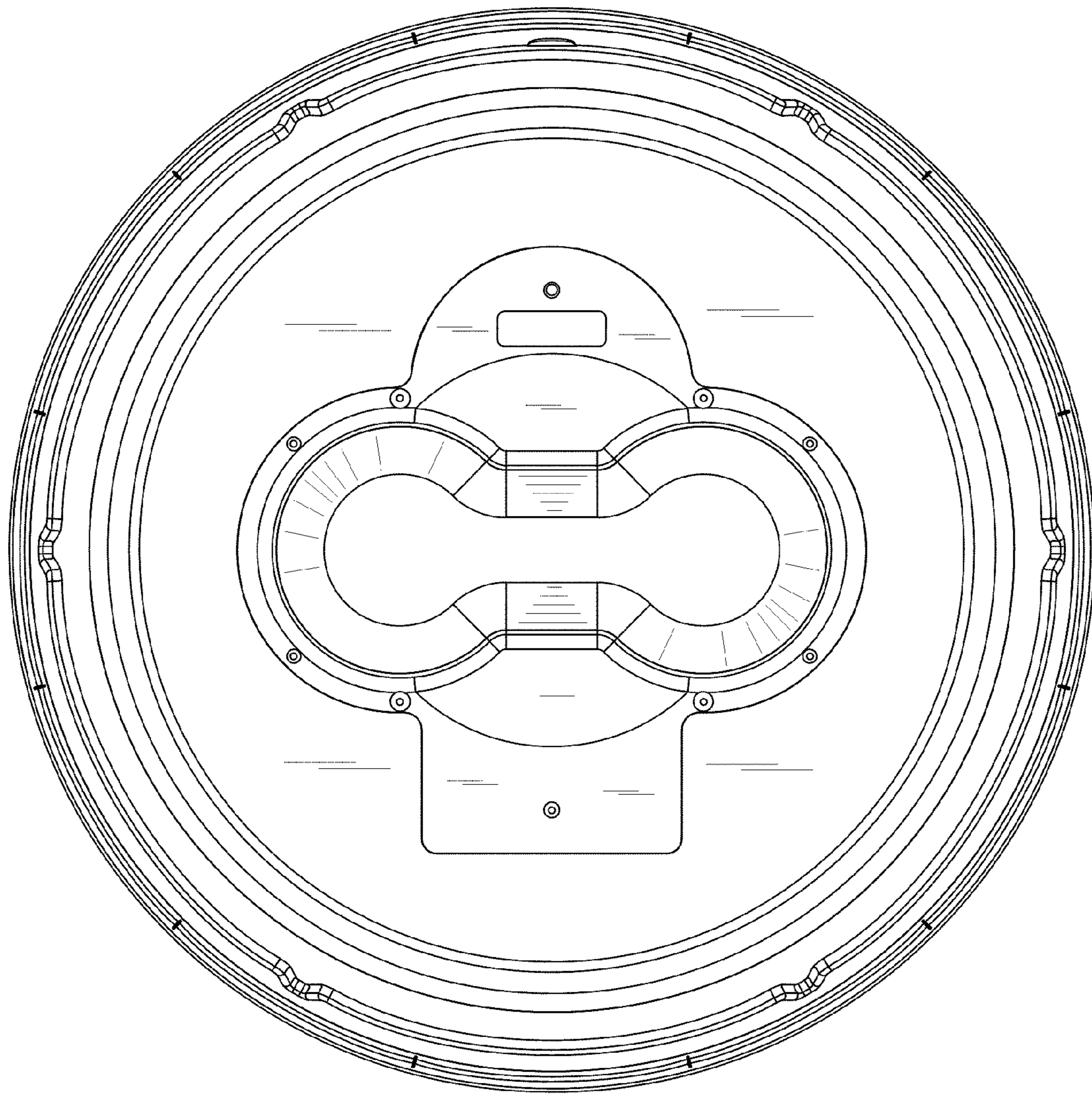


Fig. 3

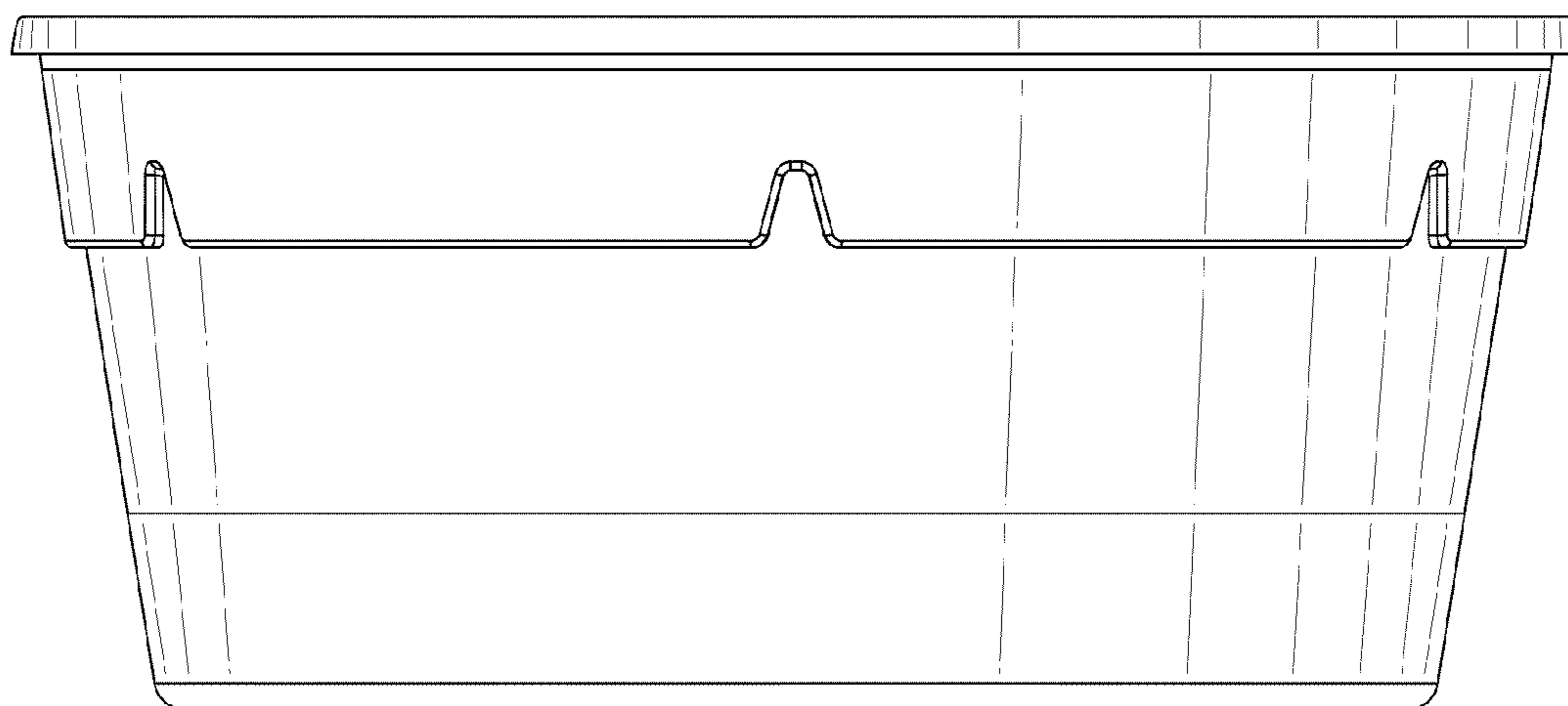


Fig. 4

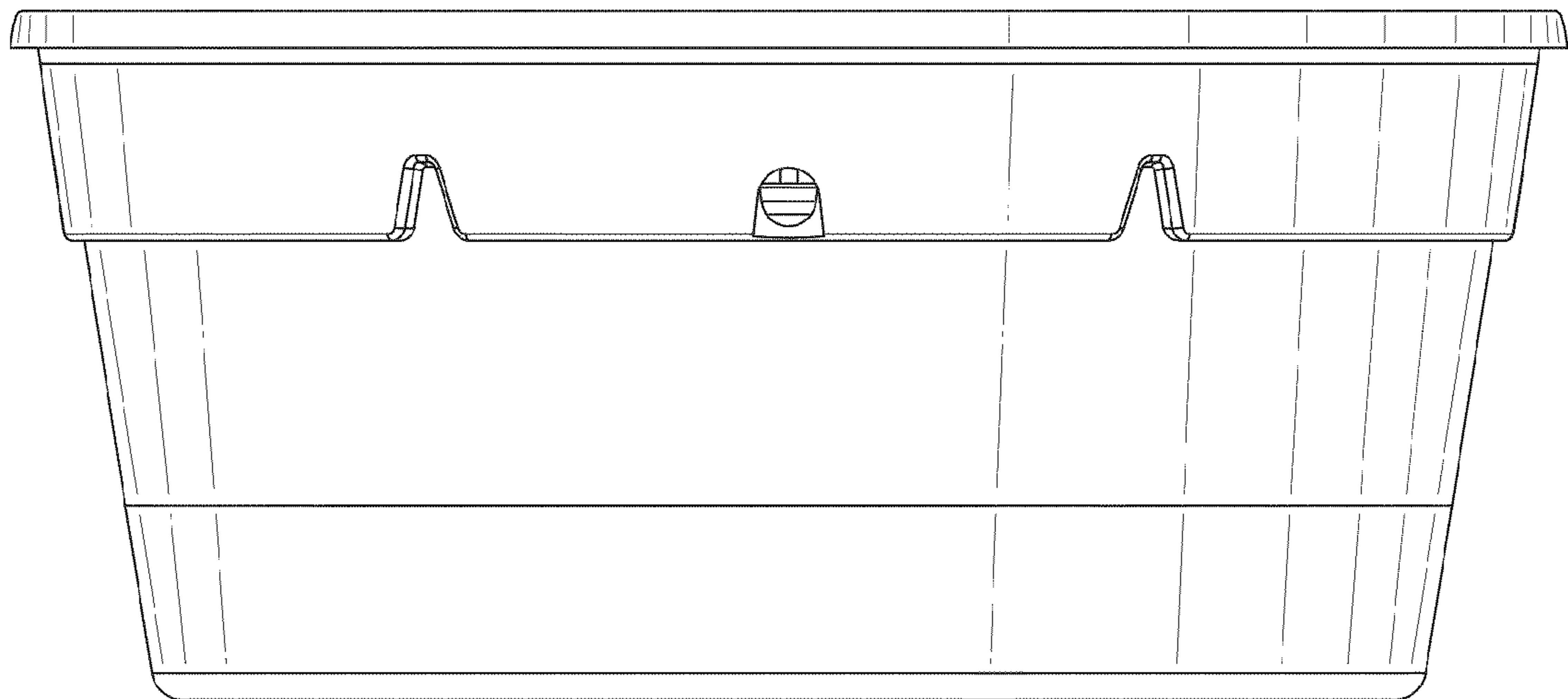


Fig. 5

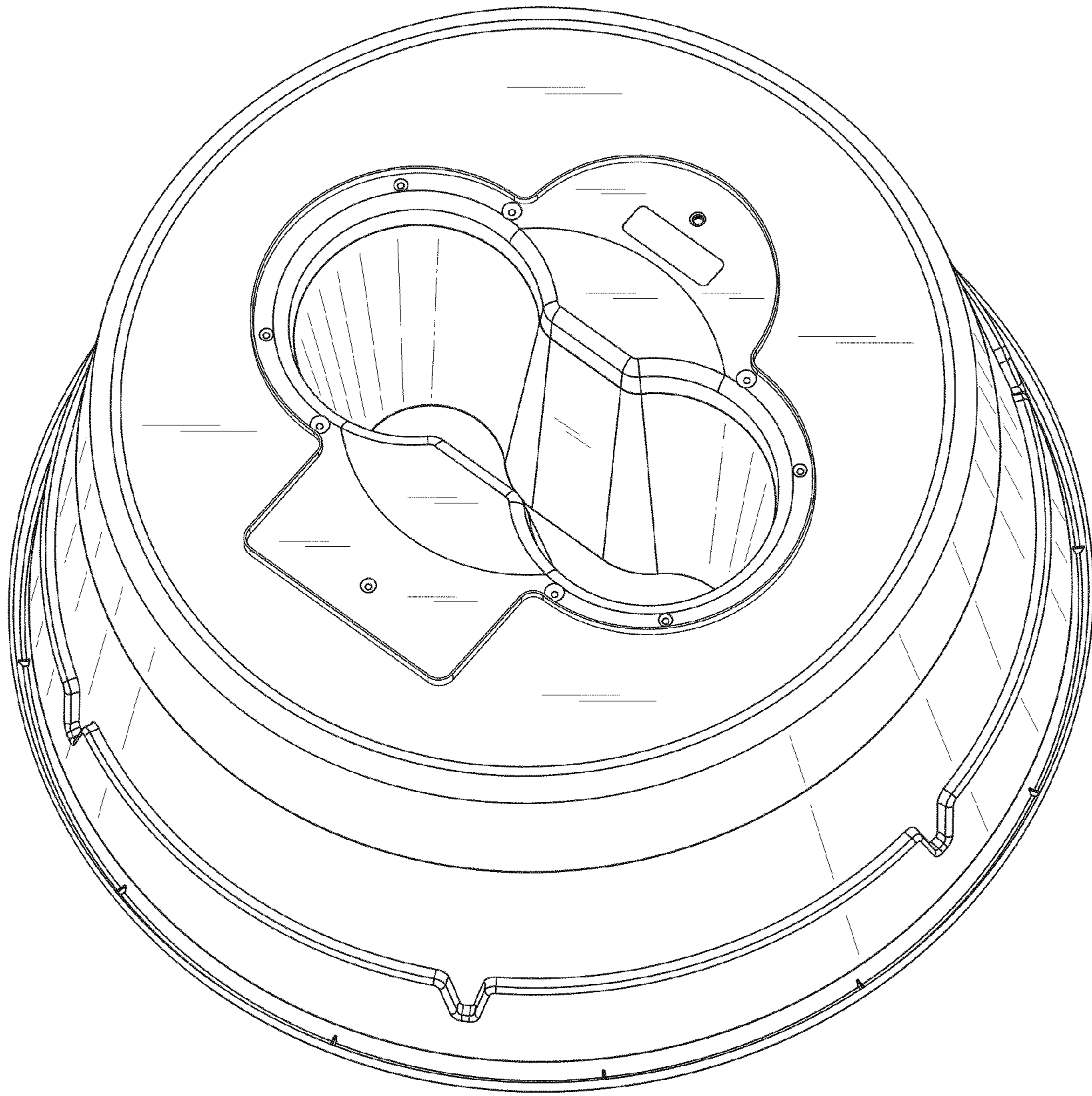


Fig. 6