



US00D647373S

(12) **United States Design Patent**  
**Pourian et al.**

(10) **Patent No.:** **US D647,373 S**  
(45) **Date of Patent:** **\*\* Oct. 25, 2011**

- (54) **DISPENSER**
- (75) Inventors: **Neema Pourian**, Skokie, IL (US);  
**James Sloss**, Cincinnati, OH (US)
- (73) Assignee: **Wm. Wrigley Jr. Company**, Chicago,  
IL (US)
- (\*\*) Term: **14 Years**
- (21) Appl. No.: **29/389,567**
- (22) Filed: **Apr. 13, 2011**

- 4,004,683 A 1/1977 Pomeroy et al.
- 4,088,276 A 5/1978 Littleton
- D263,400 S 3/1982 Sato
- 4,417,677 A 11/1983 Mead
- 4,566,606 A 1/1986 Kling
- 4,659,028 A 4/1987 Wren
- 4,763,854 A 8/1988 Borowski
- D300,750 S 4/1989 Mead
- 5,005,698 A 4/1991 Mikhail
- D319,665 S 9/1991 Kiyokane
- 5,058,792 A 10/1991 Morand
- 5,067,629 A 11/1991 Schwartz
- D323,531 S 1/1992 Fortune
- 5,119,969 A 6/1992 Haber
- 5,133,980 A 7/1992 Ream et al.

(Continued)

**Related U.S. Application Data**

- (63) Continuation of application No. 29/364,572, filed on  
Jun. 25, 2010, now abandoned.
- (51) **LOC (9) Cl.** ..... **07-01**
- (52) **U.S. Cl.** ..... **D7/629**; D19/67
- (58) **Field of Classification Search** ..... D19/70,  
D19/69, 36, 68, 86, 67, 95, 92; D7/629,  
D7/589; D6/518, 522, 545; 225/11, 34;  
206/411, 800; 156/577, 527, 523; 221/63;  
D9/417, 733

See application file for complete search history.

(56) **References Cited**

**U.S. PATENT DOCUMENTS**

- 2,414,333 A 1/1947 Schieman
- 2,452,510 A 2/1951 Gray
- 2,678,777 A 5/1954 Donkin
- 2,943,777 A \* 7/1960 Dvoracek ..... 225/38
- D189,267 S 11/1960 Silten
- D192,455 S 3/1962 Castelli
- D192,835 S 5/1962 Wax
- 3,107,782 A 10/1963 Jaroff et al.
- 3,325,050 A 6/1967 Wanamaker
- 3,381,853 A 5/1968 Ferris et al.
- D228,412 S 9/1973 Macowski
- D230,194 S 1/1974 Buckler

**FOREIGN PATENT DOCUMENTS**

- WO 2008107341 9/2008

**OTHER PUBLICATIONS**

Packaging for Wrigley's Doublemint Card-X; Wm. Wrigley Jr. Com-  
pany; photograph taken Apr. 28, 2009.

*Primary Examiner* — Austin Murphy

(74) *Attorney, Agent, or Firm* — Armstrong Teasdale LLP

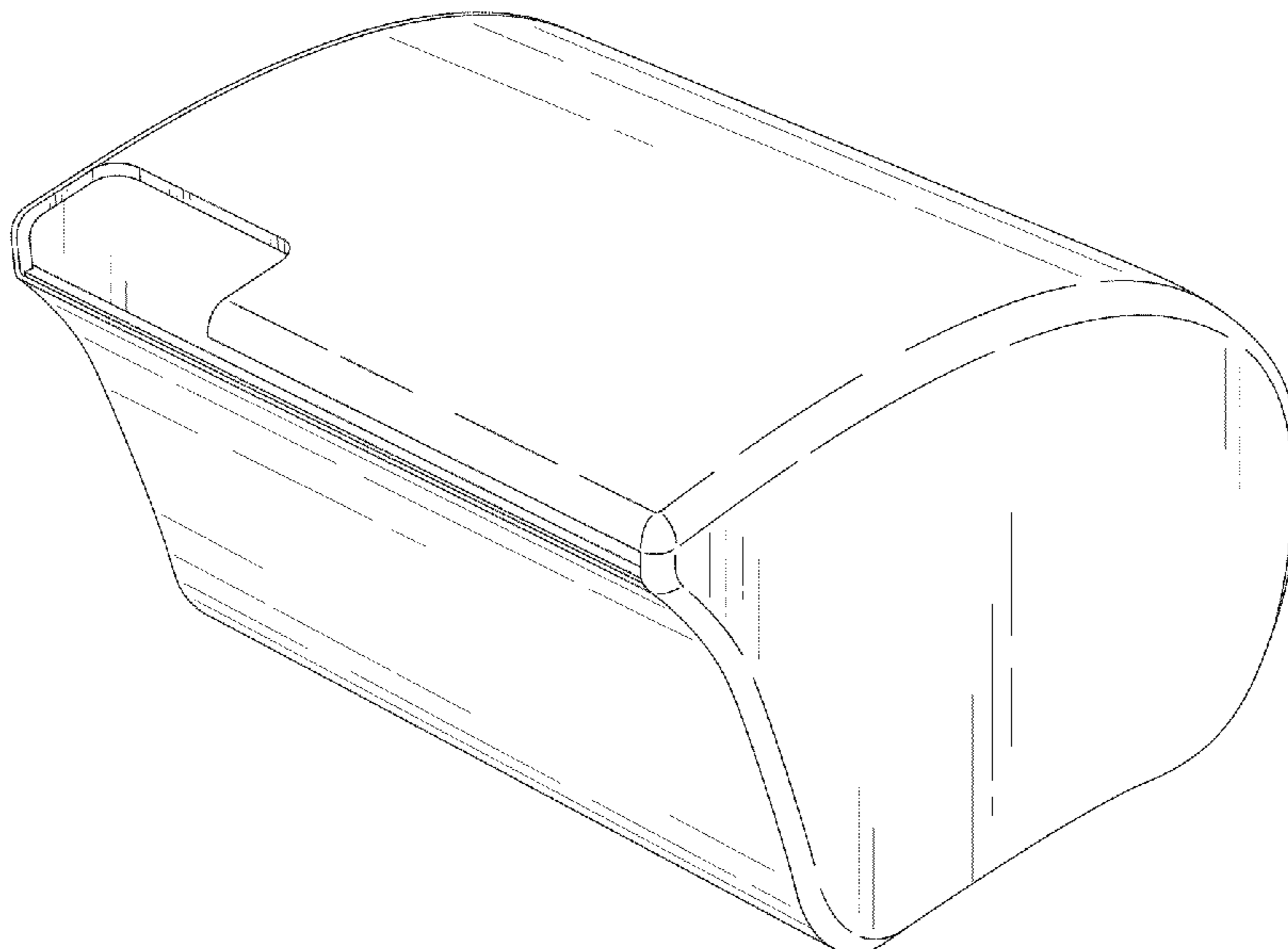
(57) **CLAIM**

The ornamental design for a dispenser, as shown and  
described.

**DESCRIPTION**

FIG. 1 is a front and left side perspective view showing my  
new design;  
FIG. 2 is a front elevation view thereof;  
FIG. 3 is a top elevation view thereof;  
FIG. 4 is a bottom elevation view thereof;  
FIG. 5 is a left side elevation view thereof; and,  
FIG. 6 is a right side elevation view thereof.

**1 Claim, 3 Drawing Sheets**



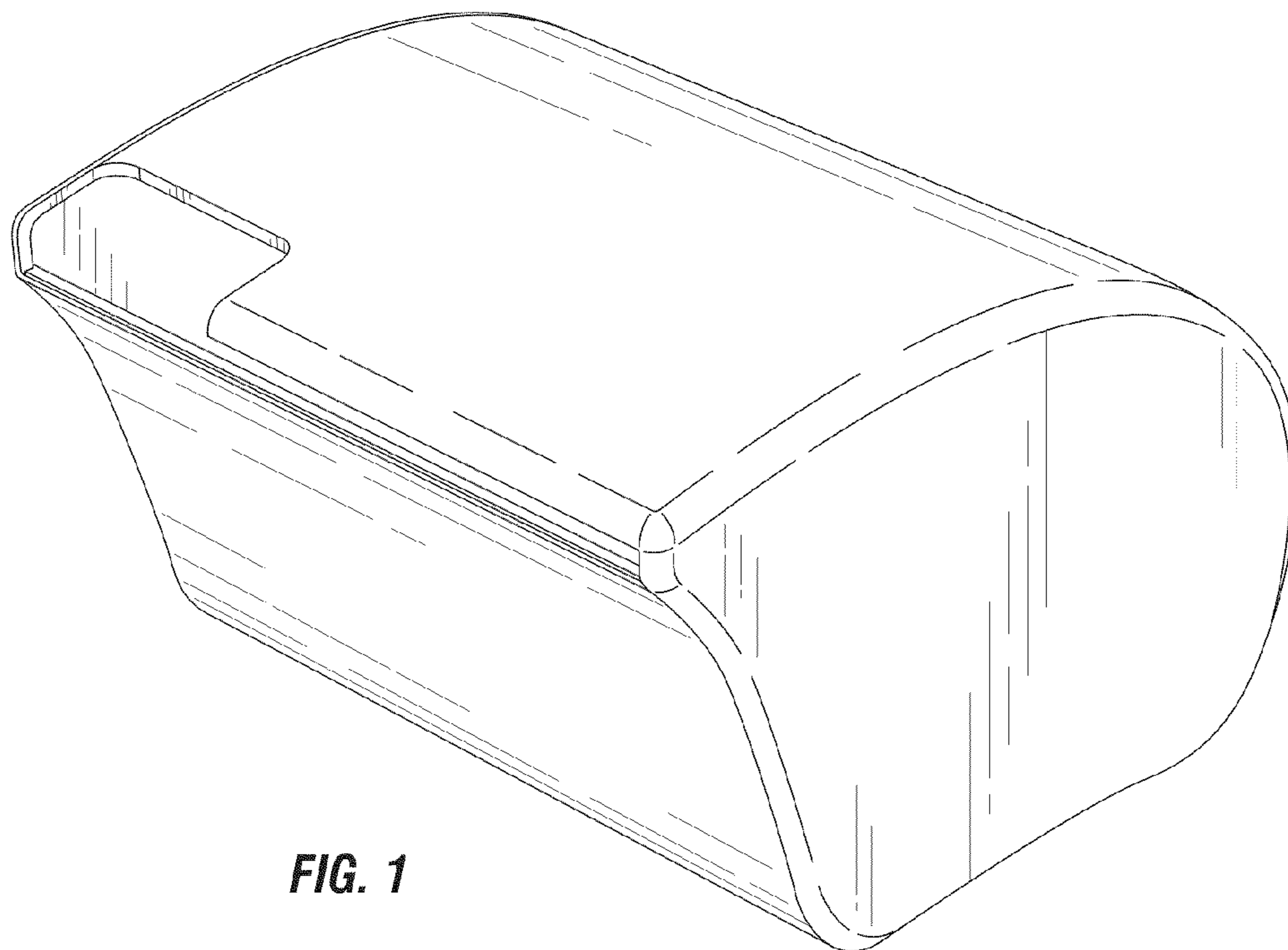
# US D647,373 S

Page 2

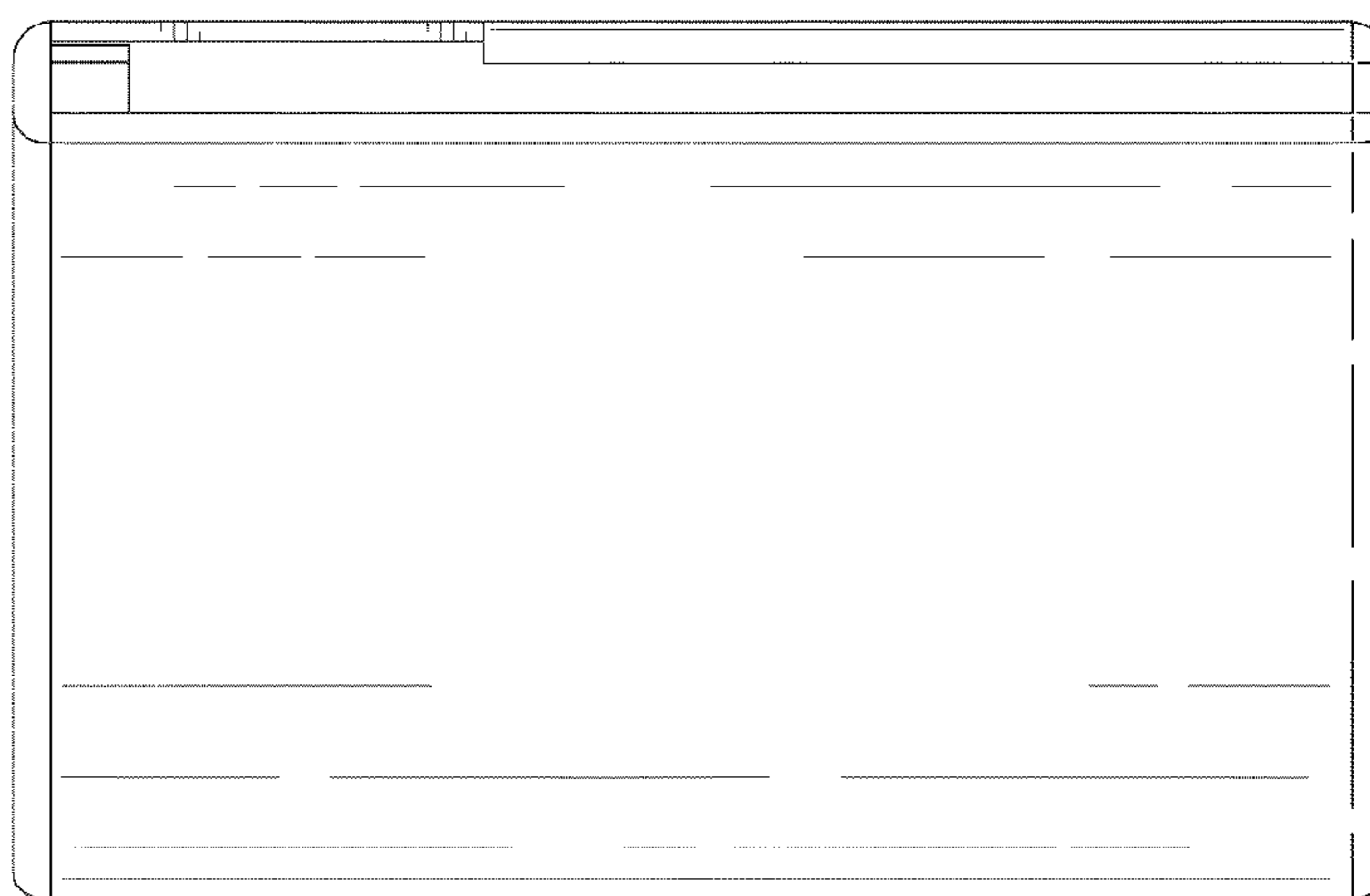
## U.S. PATENT DOCUMENTS

5,154,335	A	10/1992	Bredow et al.		D482,915	S	*	12/2003	Yang et al. ....	D6/515
D333,156	S	2/1993	Peersmann		D495,349	S	*	8/2004	Zilka et al. ....	D15/199
5,228,632	A	7/1993	Addison et al.		D502,740	S		3/2005	Stoddard et al.	
D338,493	S	8/1993	Mead		D506,133	S		6/2005	Goodfellow et al.	
D356,707	S	3/1995	Morand		D508,531	S		8/2005	Hsu	
D357,938	S	5/1995	Wolff		D514,556	S		2/2006	Rising	
D358,251	S	5/1995	Bettis		D516,054	S		2/2006	Chang	
D361,087	S	8/1995	van Eijben et al.		D525,063	S		7/2006	Woods et al.	
D379,474	S	5/1997	Packard		D548,794	S		8/2007	Jour	
D380,777	S	7/1997	Packard		D554,302	S		10/2007	Fick	
D386,922	S	* 12/1997	Sedlock .....	D6/522	D561,168	S		2/2008	Song	
5,698,067	A	12/1997	Packard		D566,190	S		4/2008	Kent et al.	
D392,157	S	3/1998	Shibuya		D568,655	S		5/2008	Friesen et al.	
5,735,400	A	4/1998	Packard		D570,464	S		6/2008	Normark	
D395,309	S	6/1998	Hisatsune		D577,743	S		9/2008	Liu	
D399,084	S	* 10/1998	Tramontina .....	D6/522	7,481,393	B2		1/2009	Trinko et al.	
D415,528	S	10/1999	Mandar		D586,676	S		2/2009	Wagner et al.	
D416,942	S	11/1999	Tsung		D586,777	S		2/2009	Joseph	
D417,109	S	11/1999	Johnson et al.		D593,610	S		6/2009	Cirulli et al.	
D417,237	S	11/1999	Packard et al.		D603,902	S		11/2009	Greaves	
D424,564	S	5/2000	Quaglio et al.		D616,940	S		6/2010	Gutierrez et al.	
D428,922	S	8/2000	Packard et al.		D616,941	S		6/2010	Bradfield	
D433,061	S	10/2000	Shen		D618,906	S		7/2010	Covington et al.	
D441,231	S	* 5/2001	Purcell et al. ....	D6/522	D619,835	S	*	7/2010	Goeking et al. ....	D6/518
D456,449	S	4/2002	Dunshee et al.		D619,838	S		7/2010	Kim	
D458,911	S	6/2002	Kataoka		D620,292	S		7/2010	Kim	
D462,215	S	* 9/2002	Bartelt et al. ....	D6/519	D620,733	S		8/2010	Denis et al.	
D463,104	S	9/2002	Ames		D623,452	S	*	9/2010	McNeely et al. ....	D6/518
D463,496	S	9/2002	Holbrook et al.		D624,340	S	*	9/2010	Benedetti .....	D6/522
D472,319	S	3/2003	Oltmann		D628,020	S		11/2010	Lim	
6,540,195	B2	4/2003	Newman et al.		D637,841	S	*	5/2011	Omdoll et al. ....	D6/518
D482,221	S	* 11/2003	Phelps et al. ....	D6/518						

\* cited by examiner



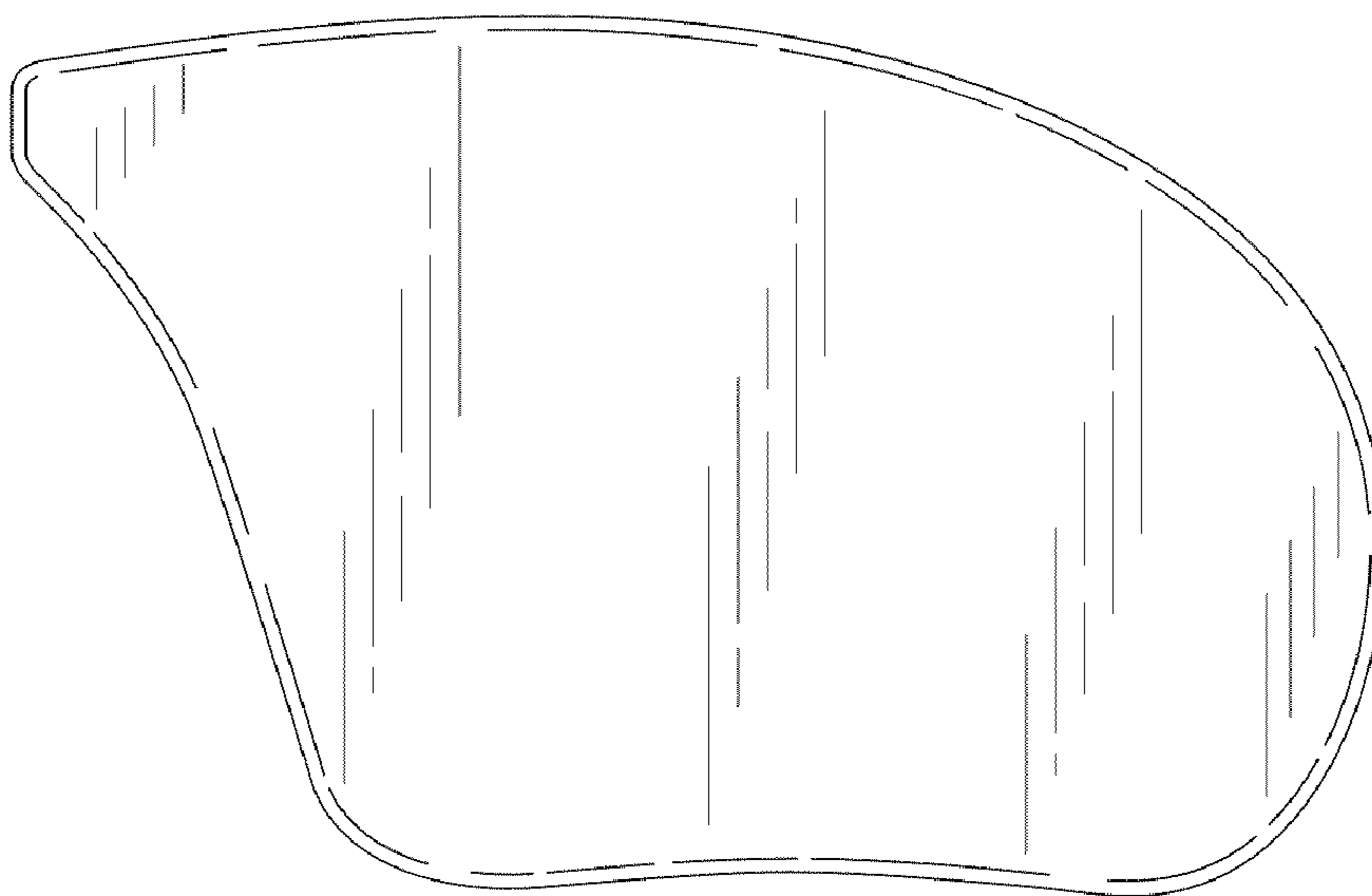
**FIG. 1**



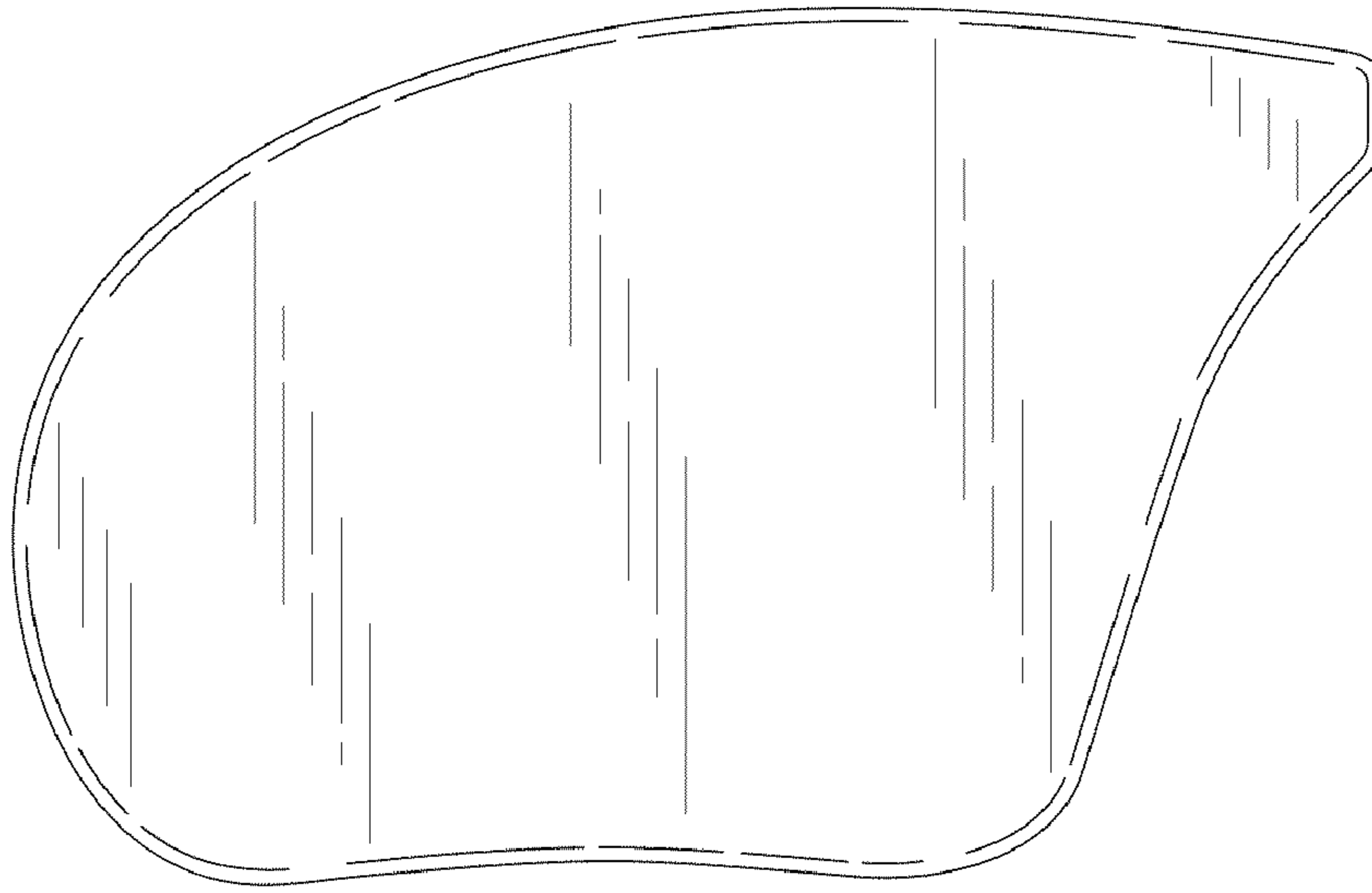
**FIG. 2**



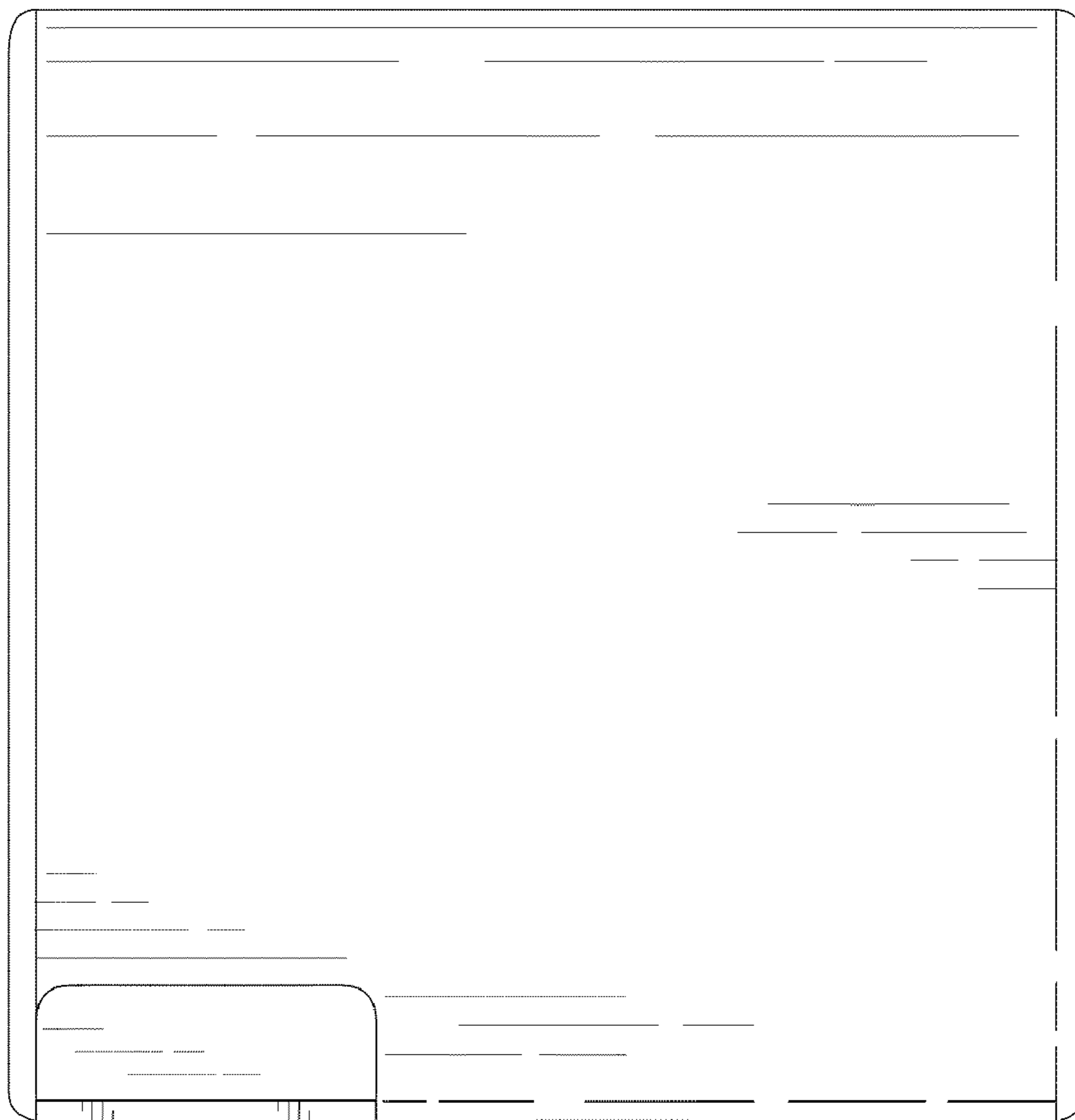
**FIG. 3**



**FIG. 4**



**FIG. 5**



**FIG. 6**