



US00D647372S

(12) **United States Design Patent**  
**Chhay**

(10) **Patent No.:** **US D647,372 S**

(45) **Date of Patent:** **\*\* Oct. 25, 2011**

(54) **CONTAINER**

(76) Inventor: **Khim Seang Chhay**, Alhambra, CA  
(US)

(\*\*) Term: **14 Years**

(21) Appl. No.: **29/373,580**

(22) Filed: **May 2, 2011**

**Related U.S. Application Data**

(62) Division of application No. 12/284,299, filed on Sep. 18, 2008.

(51) **LOC (9) Cl.** ..... **07-07**

(52) **U.S. Cl.** ..... **D7/602**

(58) **Field of Classification Search** ..... D7/601,  
D7/602, 629, 538-542; D9/424-432; 220/574-575,  
220/780-806, 236; 206/508, 509  
See application file for complete search history.

(56) **References Cited**

**U.S. PATENT DOCUMENTS**

3,117,692 A \* 1/1964 Carpenter et al. .... 206/508  
3,347,060 A \* 10/1967 Barkan ..... 62/457.9  
3,452,896 A \* 7/1969 Elliot ..... 220/781  
D287,559 S \* 1/1987 Daenen et al. .... D7/586

D363,663 S \* 10/1995 Plater ..... D9/425  
D366,397 S \* 1/1996 Zimmerman ..... D7/629  
D377,739 S \* 2/1997 Carlson ..... D7/602  
D539,100 S \* 3/2007 Zhao ..... D7/629  
D544,762 S \* 6/2007 Zimmerman ..... D7/629  
D545,137 S \* 6/2007 Furlong et al. .... D7/629  
D614,919 S \* 5/2010 Carlson ..... D7/602

\* cited by examiner

*Primary Examiner* — Terry Wallace

(74) *Attorney, Agent, or Firm* — Raymond Y. Chan; David and Raymond Patent Firm

(57) **CLAIM**

The ornamental design for a container, as shown and described.

**DESCRIPTION**

FIG. 1 is a top perspective view of container showing my new design.

FIG. 2 is a front view thereof.

FIG. 3 is a rear view thereof.

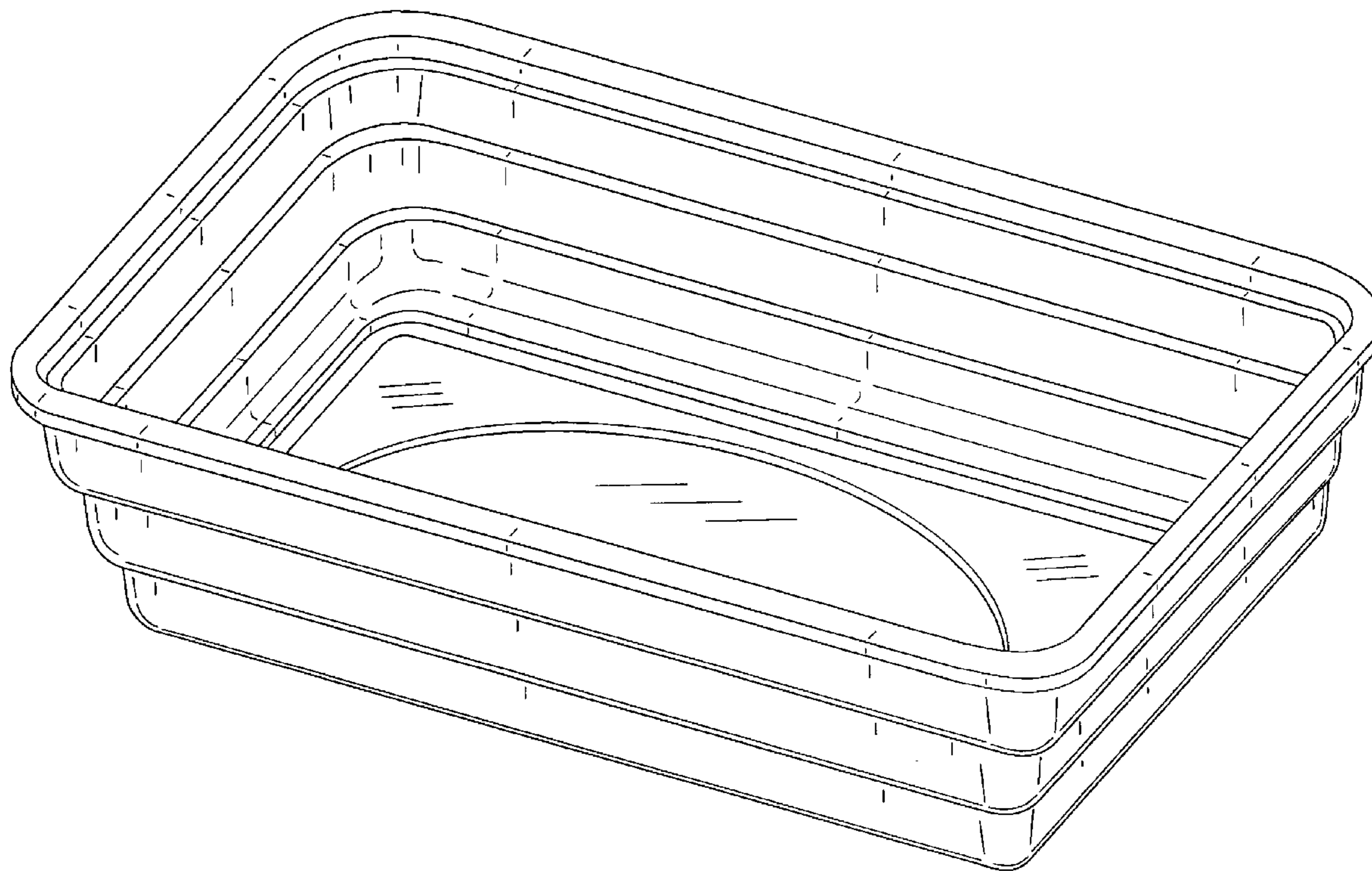
FIG. 4 is a right view thereof.

FIG. 5 is a left view thereof.

FIG. 6 is a top view thereof; and,

FIG. 7 is a bottom view thereof.

**1 Claim, 7 Drawing Sheets**



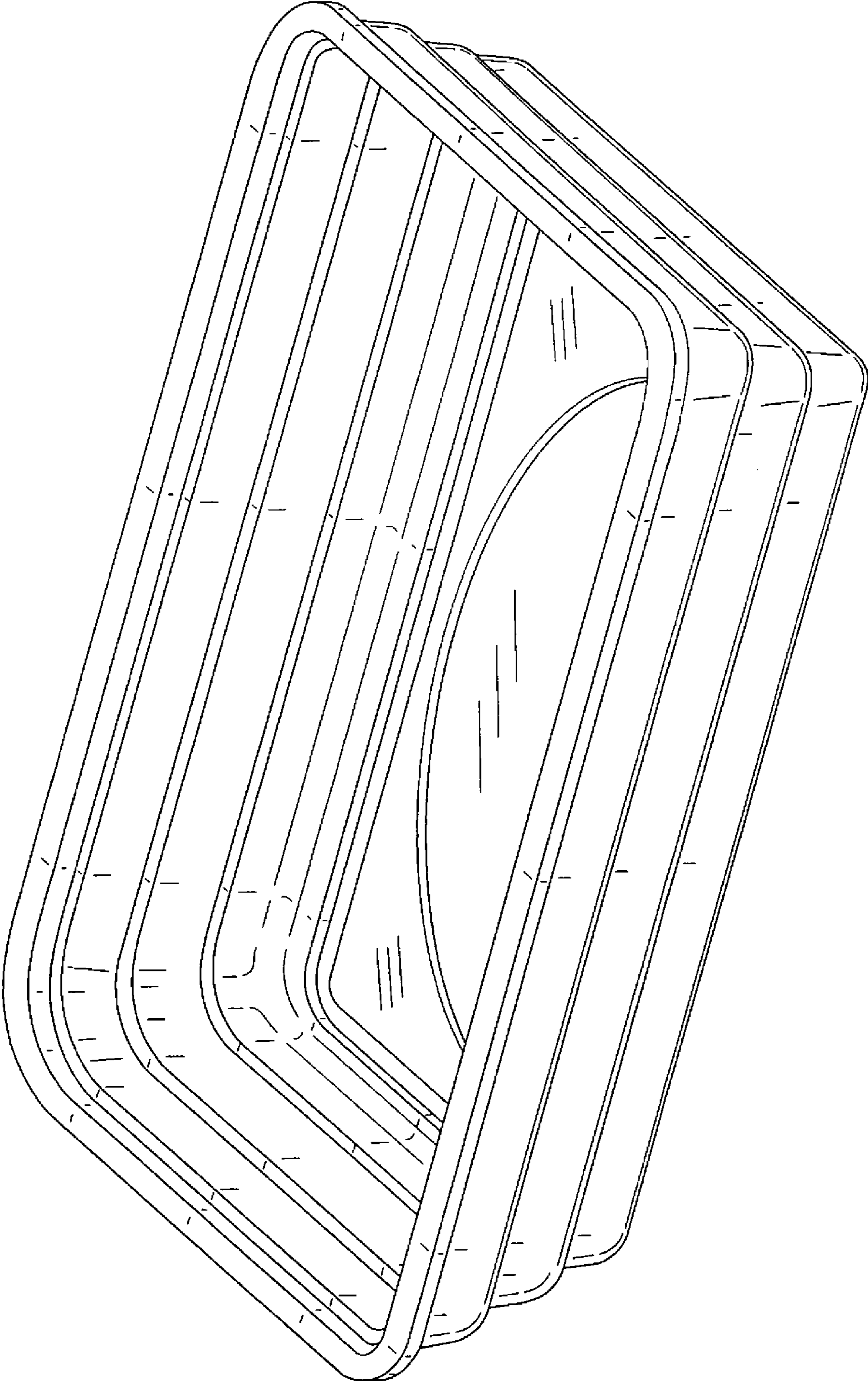


FIG.1

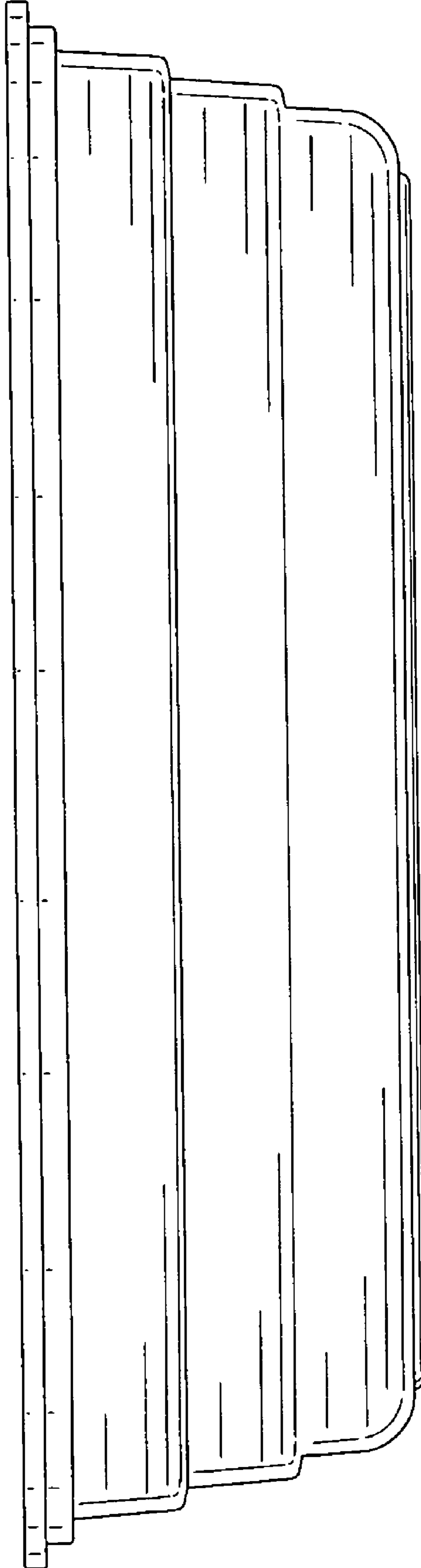


FIG. 2

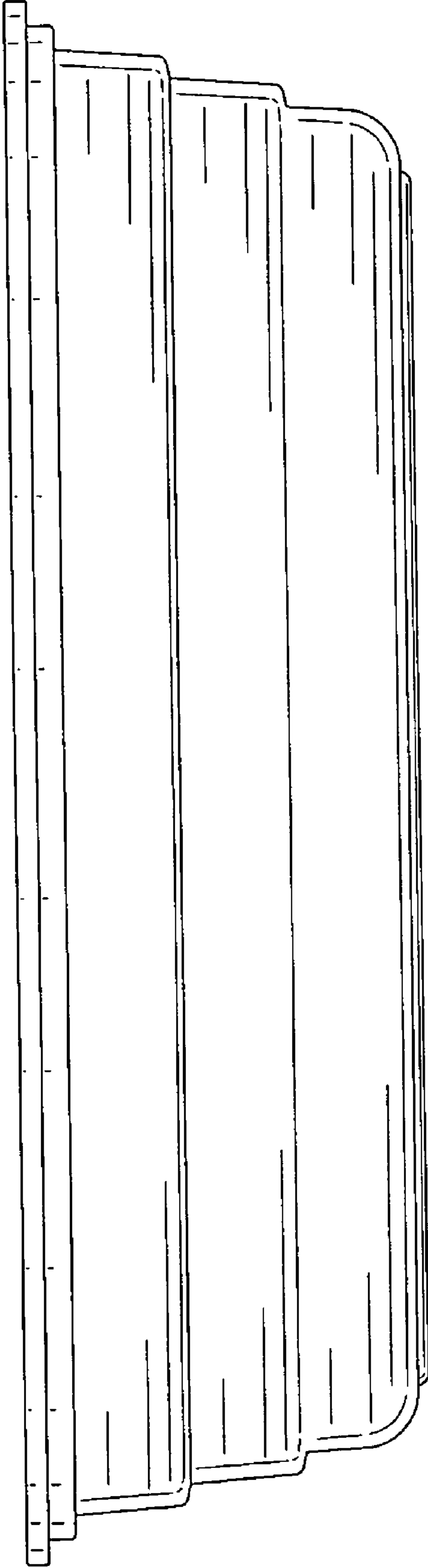


FIG. 3

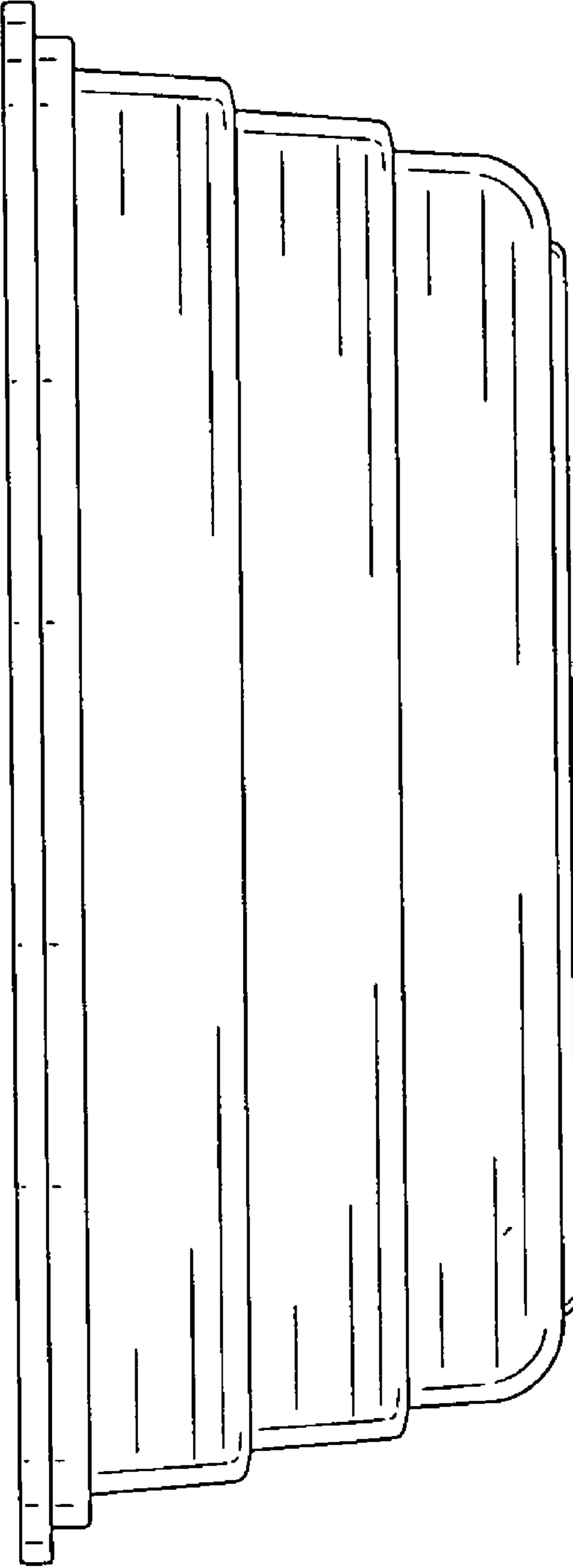


FIG.4

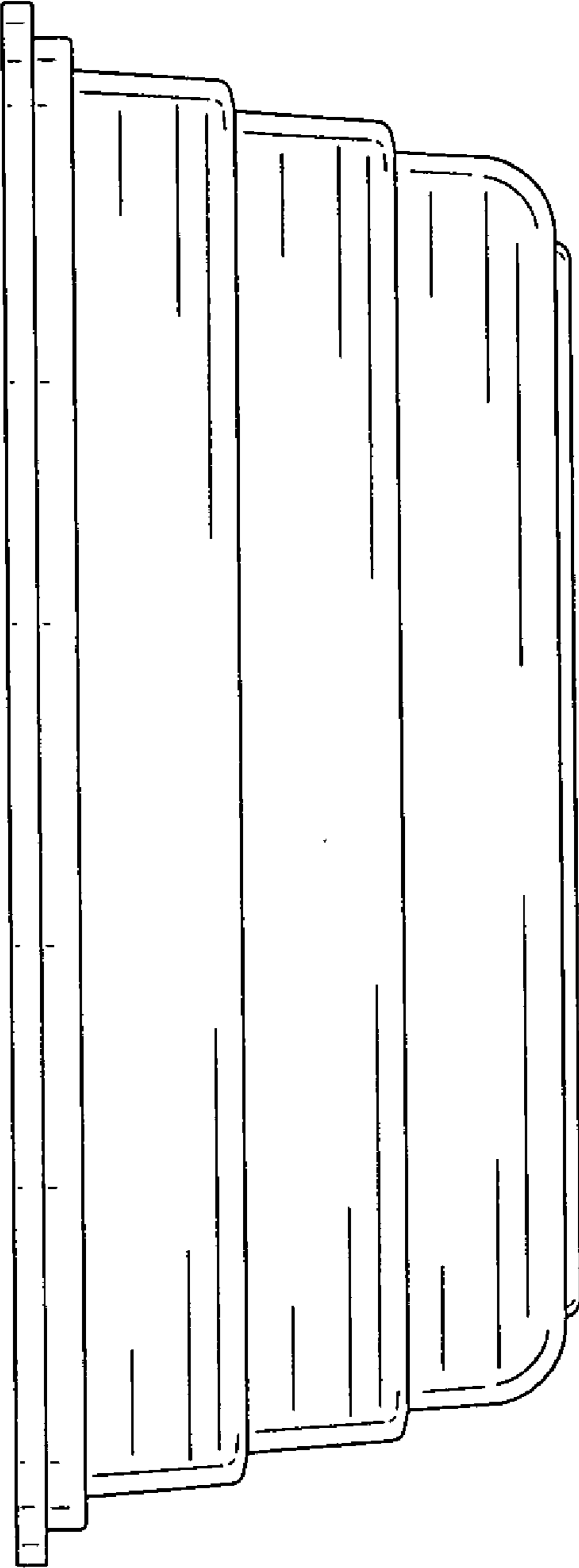


FIG. 5

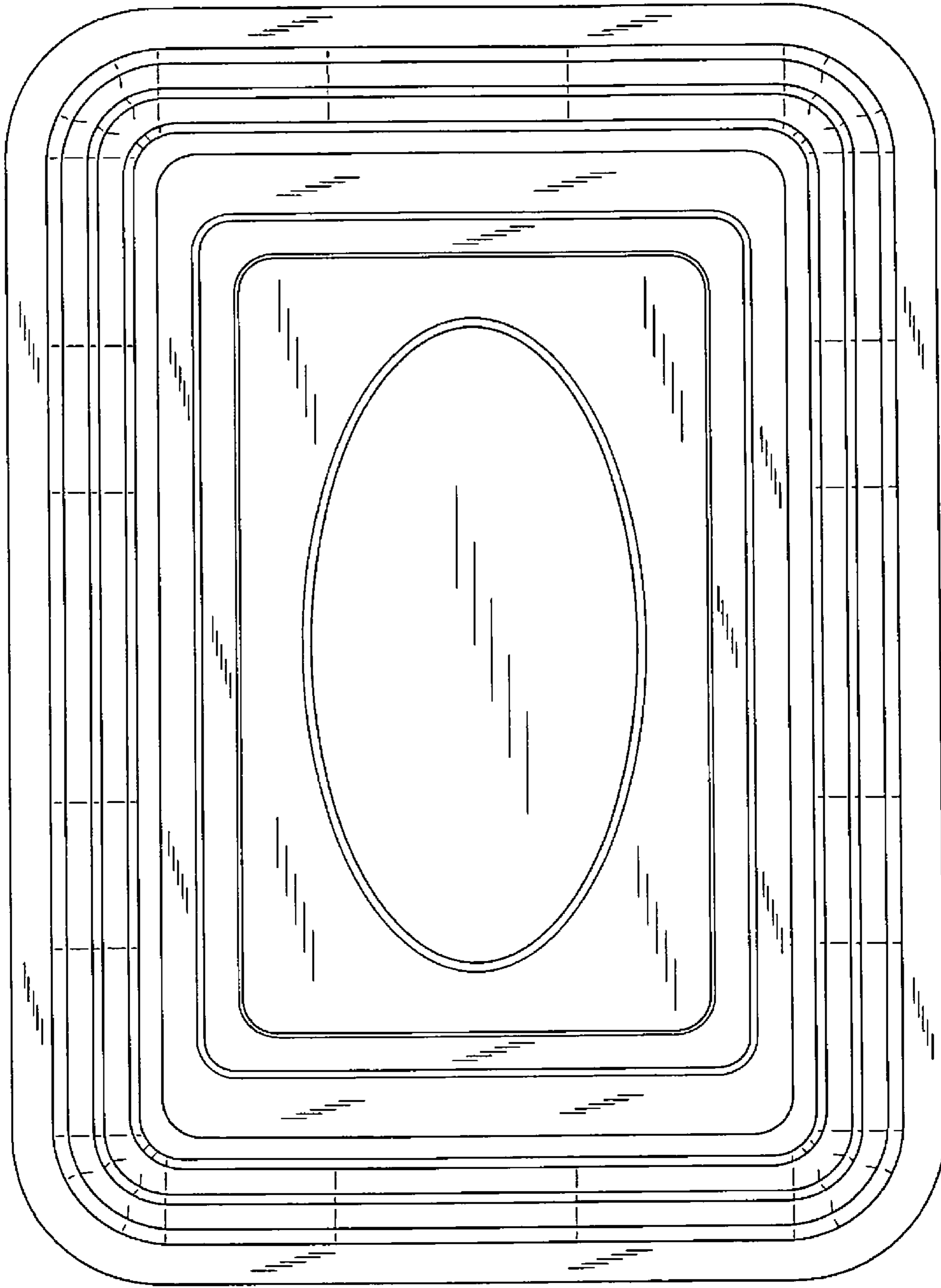


FIG. 6



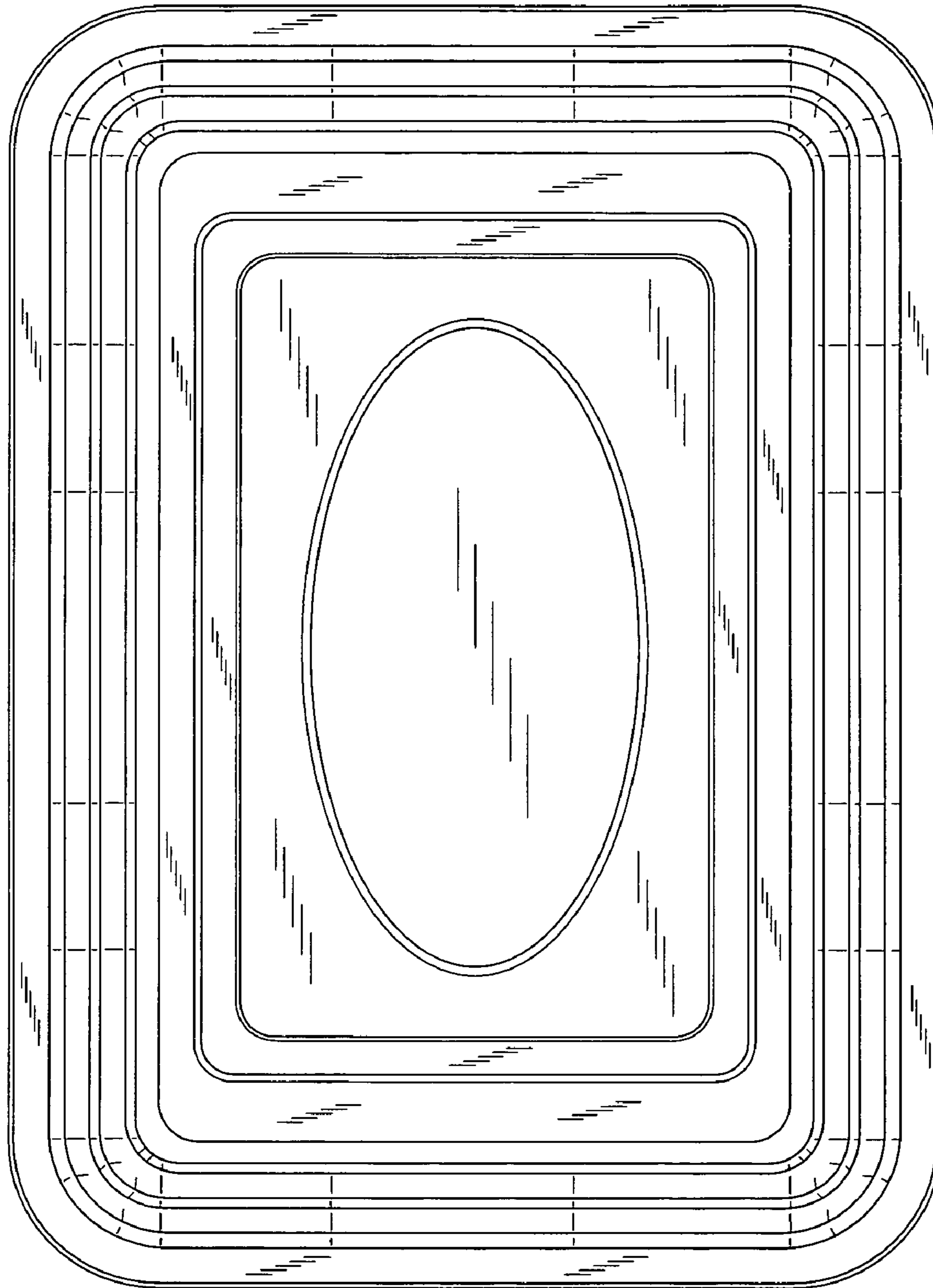


FIG. 7