



US00D647367S

(12) **United States Design Patent**
Audette et al.

(10) **Patent No.:** **US D647,367 S**
(45) **Date of Patent:** **** Oct. 25, 2011**

(54) **BLENDER**

(75) Inventors: **David M. Audette**, Webster, MA (US);
Alexander J. Calvino, Cranston, RI
(US); **Waiman Chung**, Kowloon (HK);
Aric Jennings, Boston, MA (US);
Daniel Stephen Potter, Dracut, MA
(US); **Andrea Stavrinou**, Brighton, MA
(US)

(73) Assignee: **Euro-Pro Operating LLC**, Newton,
MA (US)

(**) Term: **14 Years**

(21) Appl. No.: **29/386,514**

(22) Filed: **Mar. 2, 2011**

(51) **LOC (9) Cl.** **31-00**

(52) **U.S. Cl.** **D7/413; D7/376; D7/378; D7/384**

(58) **Field of Classification Search** D7/305-311,
D7/317-318, 368, 372, 376-386, 391, 412-415,
D7/607, 665; 99/326, 348, 508-511; 241/30-37.5,
241/101.01-101.2, 166-169.1, 282.2, 285.1-285.3,
241/291, 292.1; 366/64-67, 98, 142, 197-211,
366/241-254, 279-292, 341-347; 416/75-76,
416/70 R, 163

See application file for complete search history.

(56) **References Cited**

U.S. PATENT DOCUMENTS

2,794,627 A * 6/1957 Rodwick 241/282.2
D187,684 S * 4/1960 Hauser D7/386
D228,698 S * 10/1973 Barnard, Jr. et al. D7/378

D336,590 S * 6/1993 Barnard D7/378
D424,371 S * 5/2000 Delmonte D7/607
D480,915 S * 10/2003 Kolar et al. D7/413
D538,595 S 3/2007 White et al.
D560,963 S 2/2008 Altheimer et al.
D583,190 S 12/2008 Christou
D587,961 S 3/2009 Lavy
D616,244 S 5/2010 Thai et al.
D617,136 S 6/2010 Bock et al.
D621,656 S * 8/2010 Ulanski et al. D7/413
D637,862 S * 5/2011 Fouquet D7/378
D638,256 S * 5/2011 Wu D7/378

* cited by examiner

Primary Examiner — Ricky Pham

(74) *Attorney, Agent, or Firm* — Wolf, Greenfield & Sacks,
P.C.

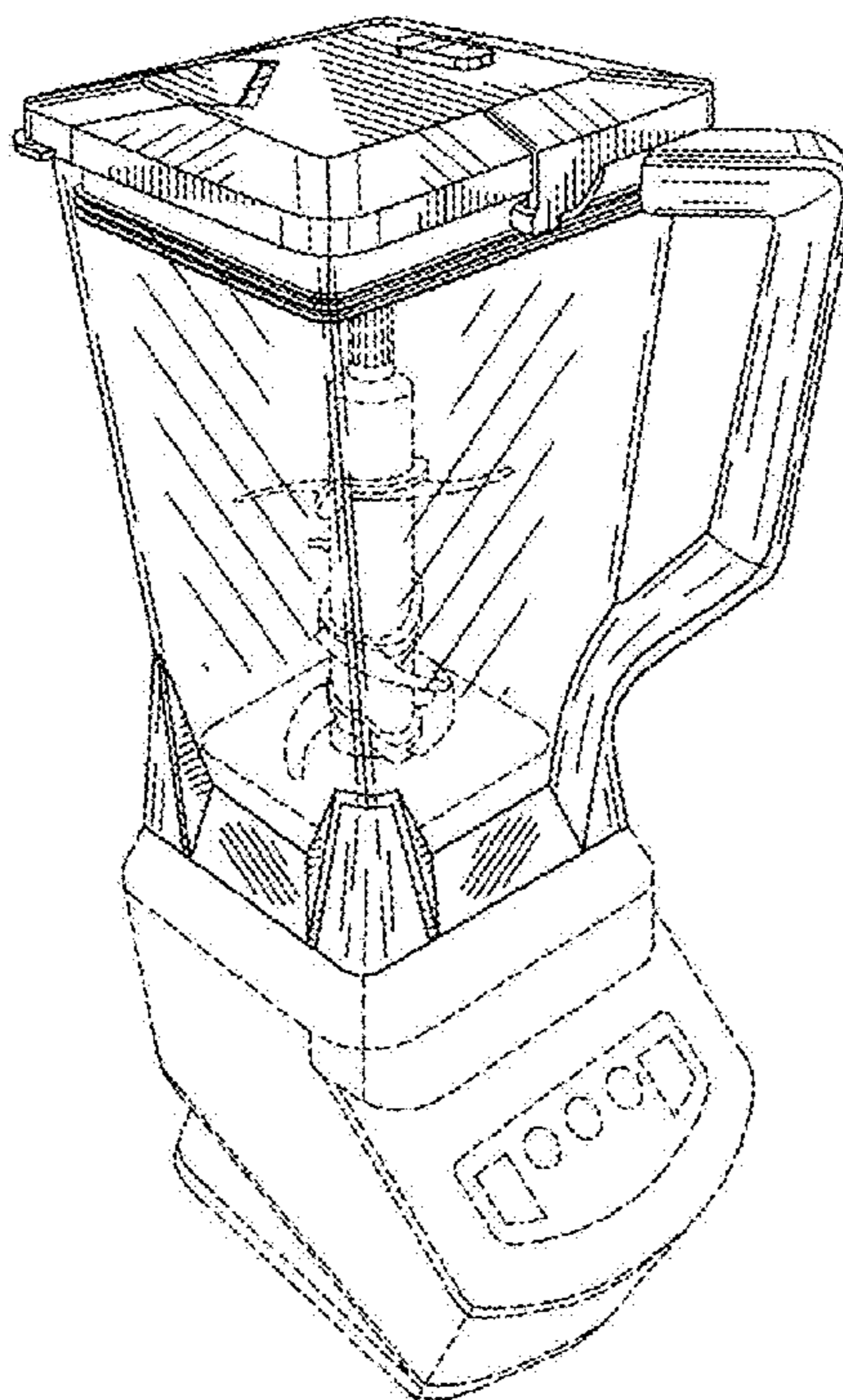
(57) **CLAIM**

The ornamental design of a blender, substantially as shown
and described.

DESCRIPTION

FIG. 1 is a perspective view of a blender in accordance with
the present design;
FIG. 2 is a front view thereof;
FIG. 3 is a rear view thereof;
FIG. 4 is a left side view thereof;
FIG. 5 is a right side view thereof;
FIG. 6 is a top plan view thereof; and,
FIG. 7 is a bottom plan view thereof.
The broken lines showing blender blades, blender base and
power cord are for illustrative purposes only and form no part
of the claimed design.

1 Claim, 3 Drawing Sheets



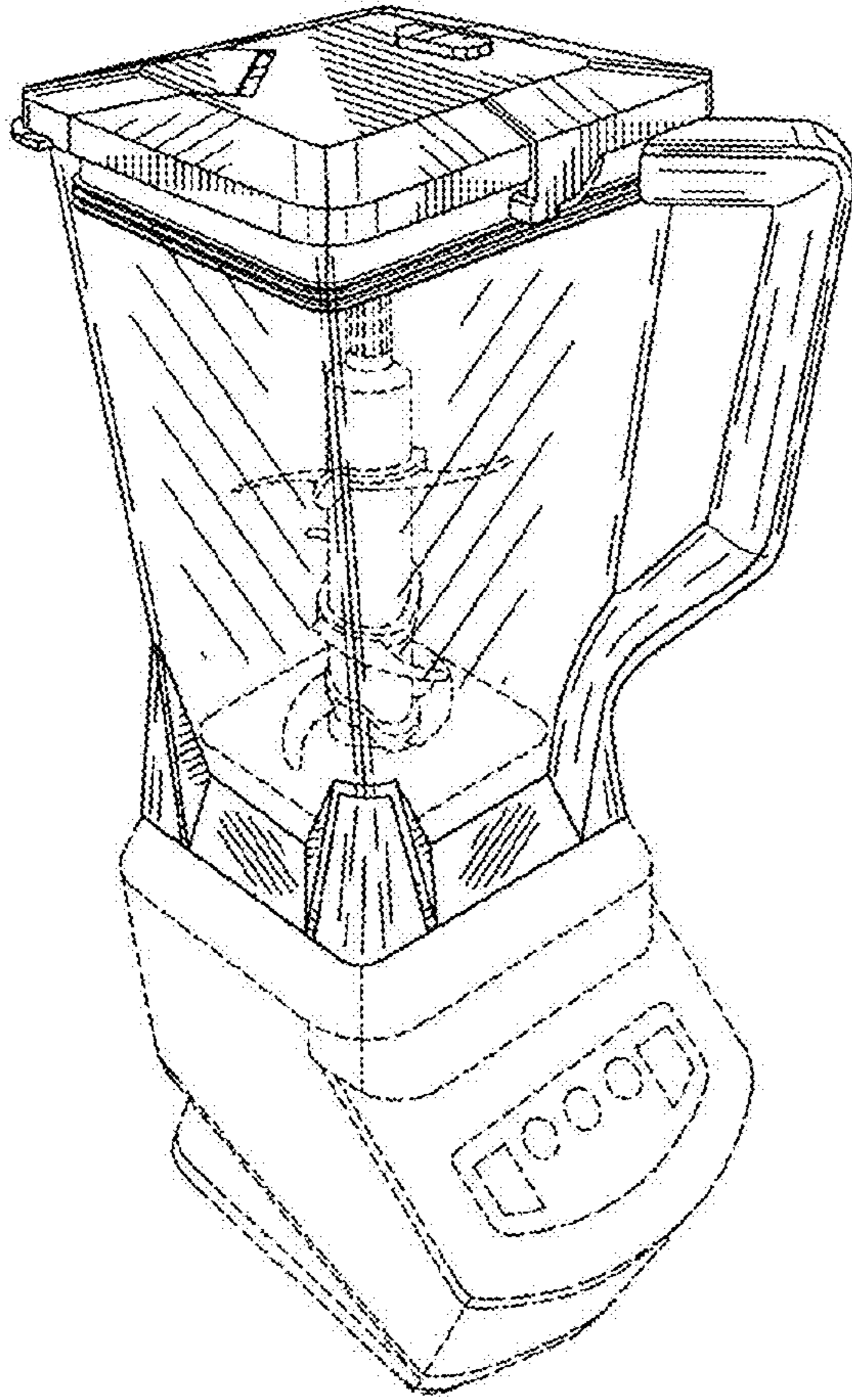


FIG. 1

FIG. 6

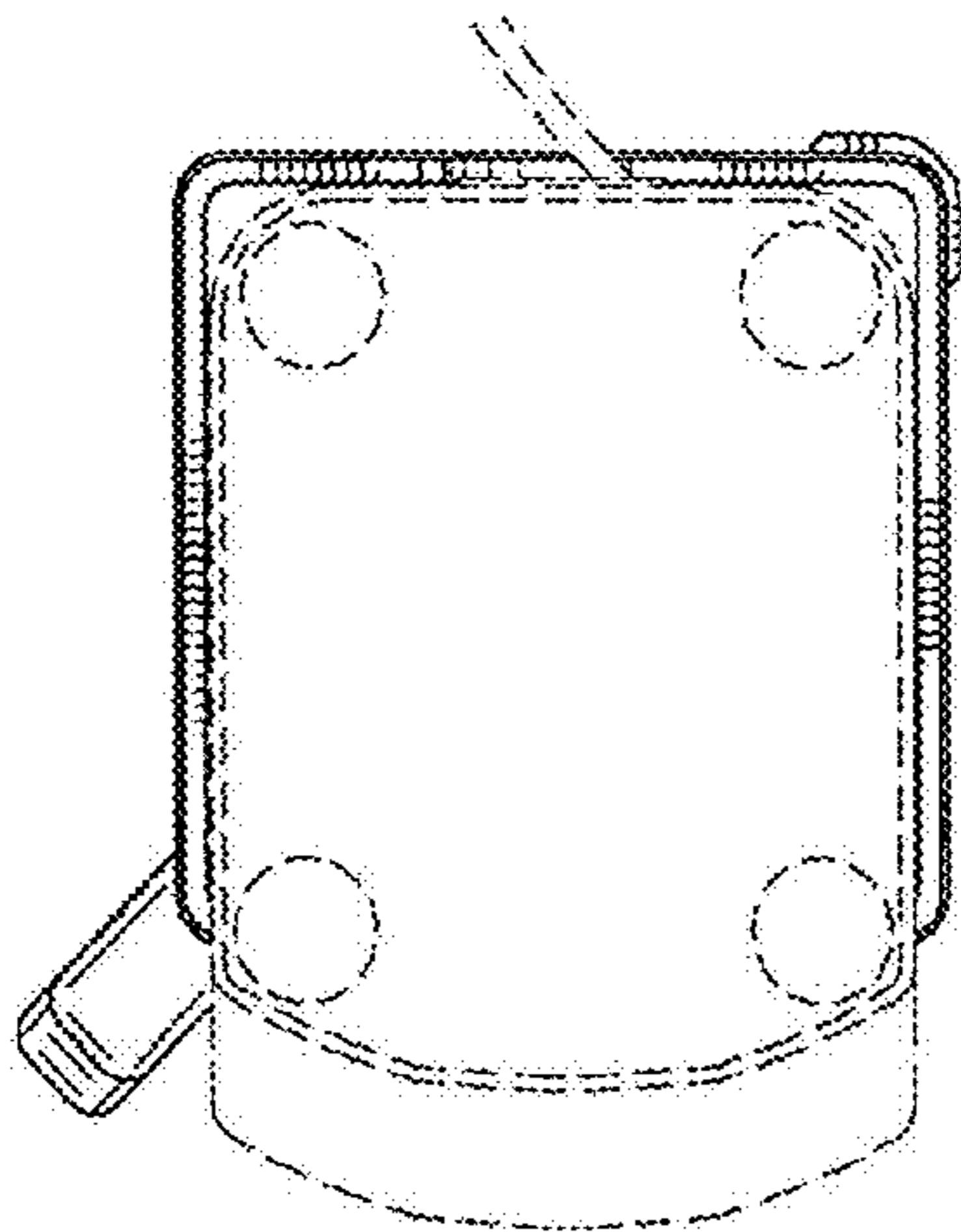
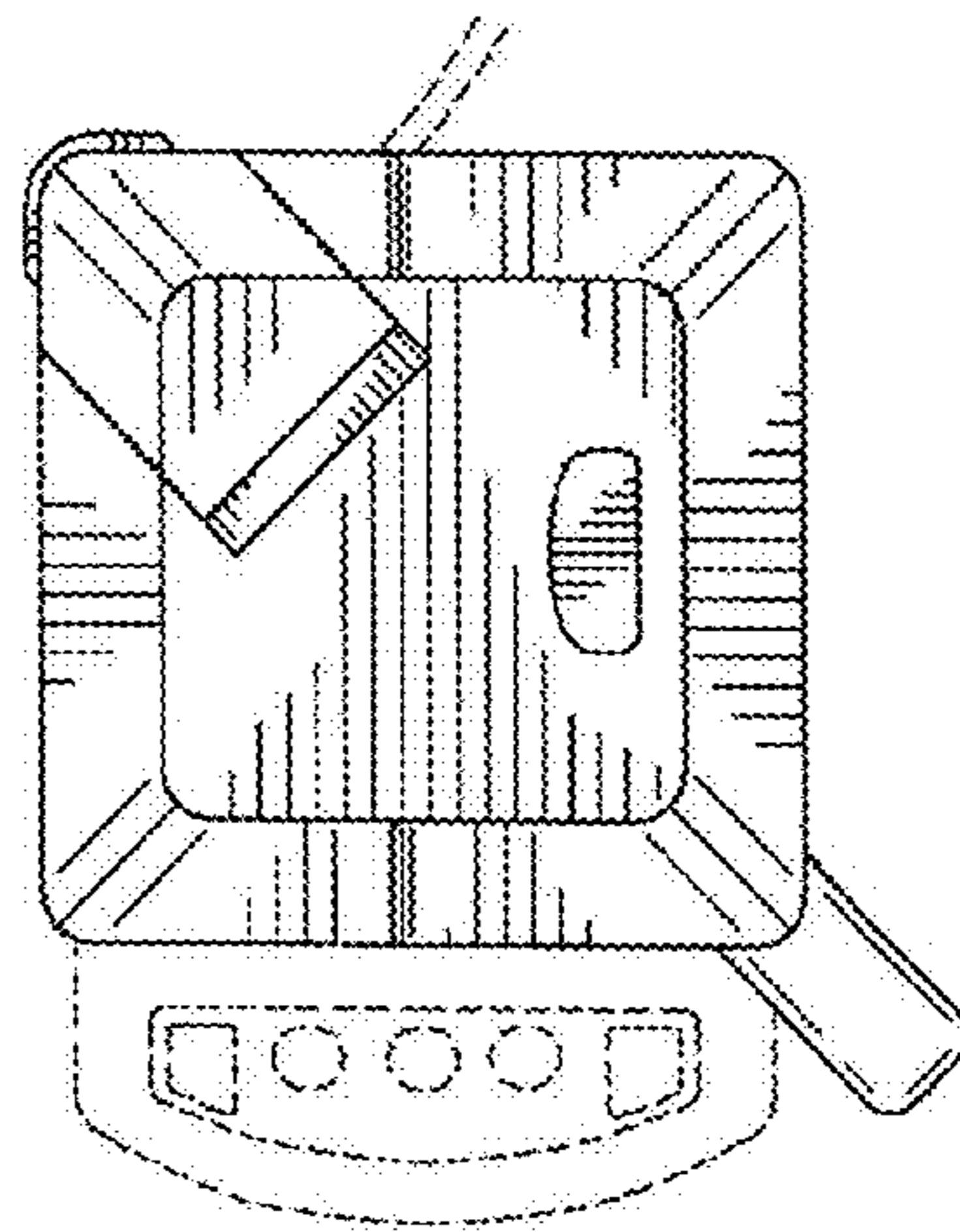


FIG. 7

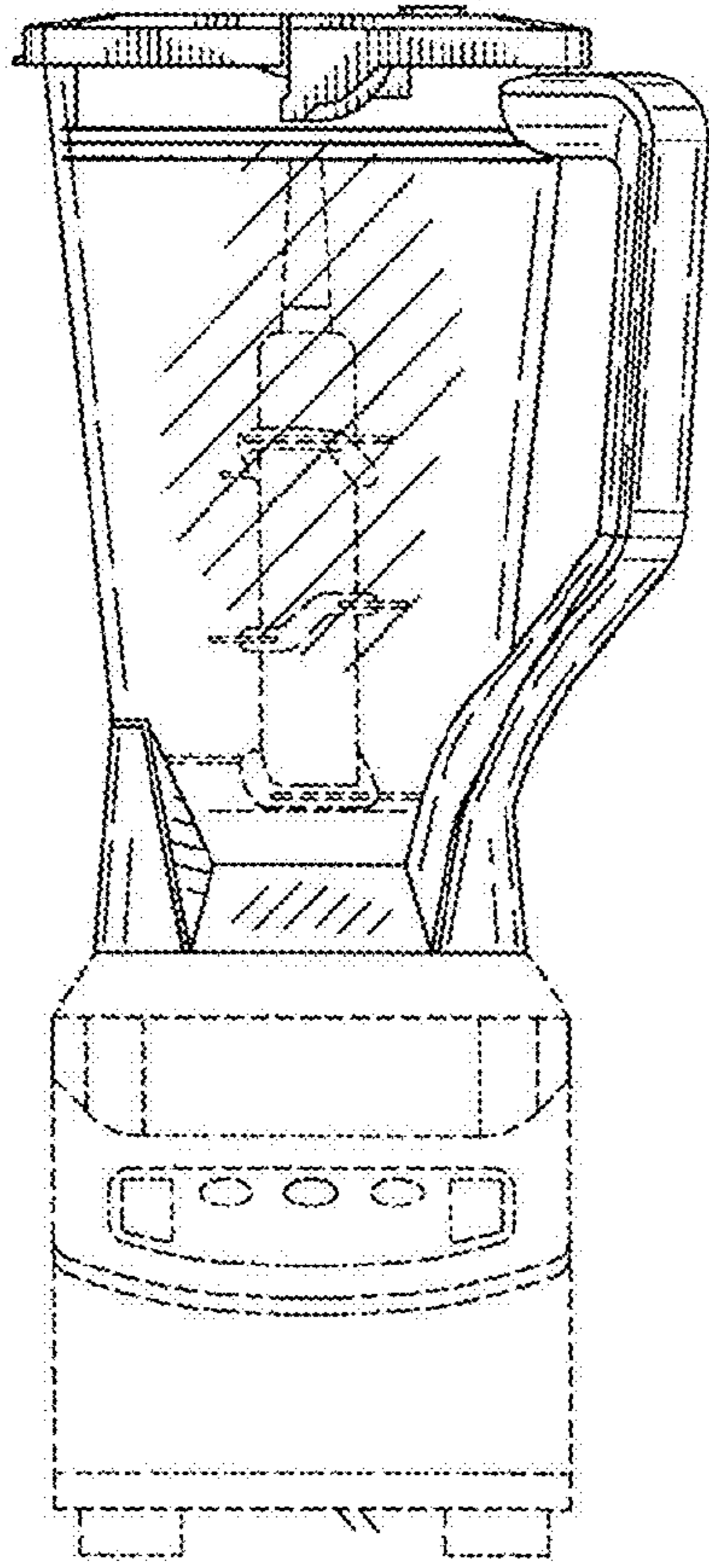


FIG. 2

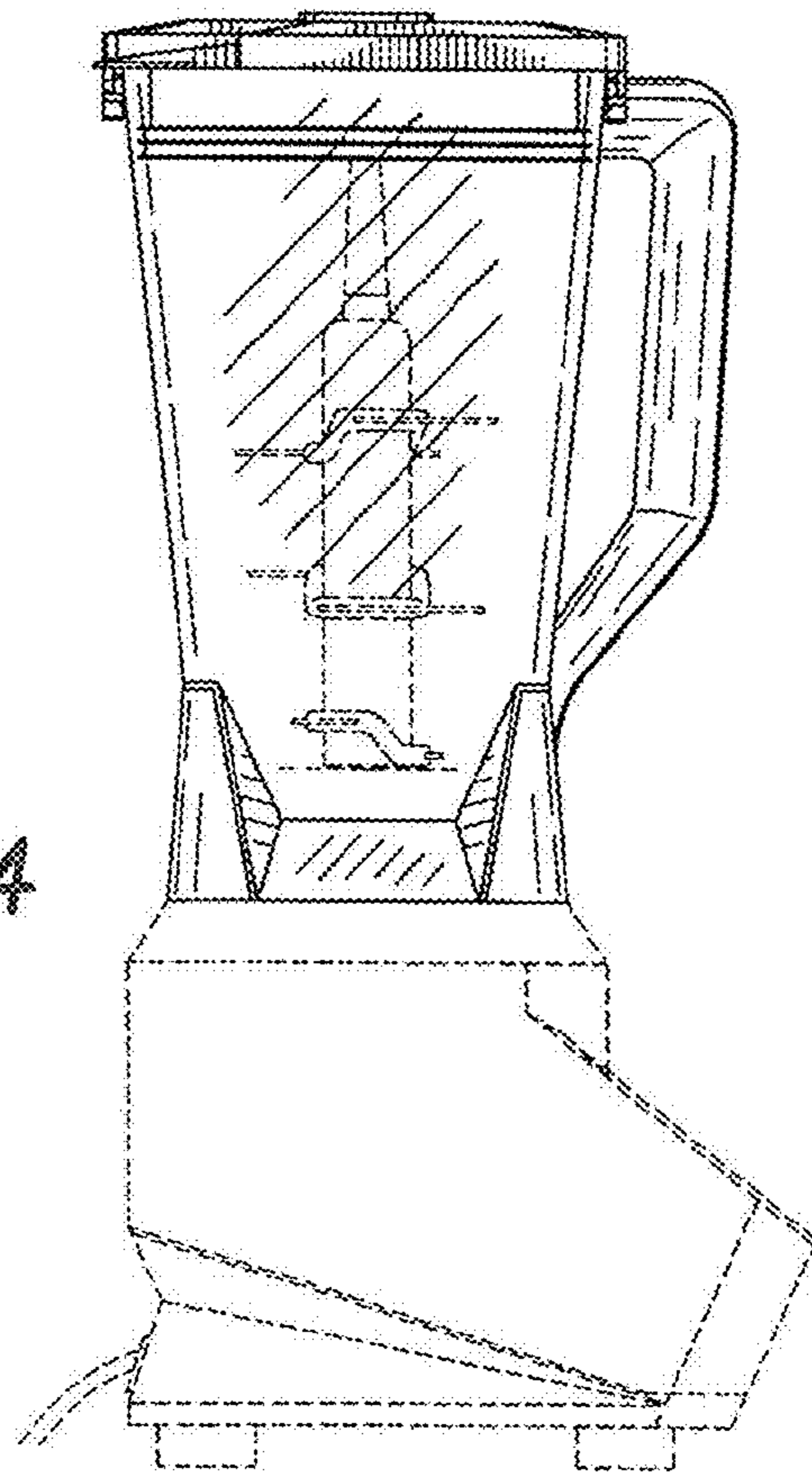


FIG. 4

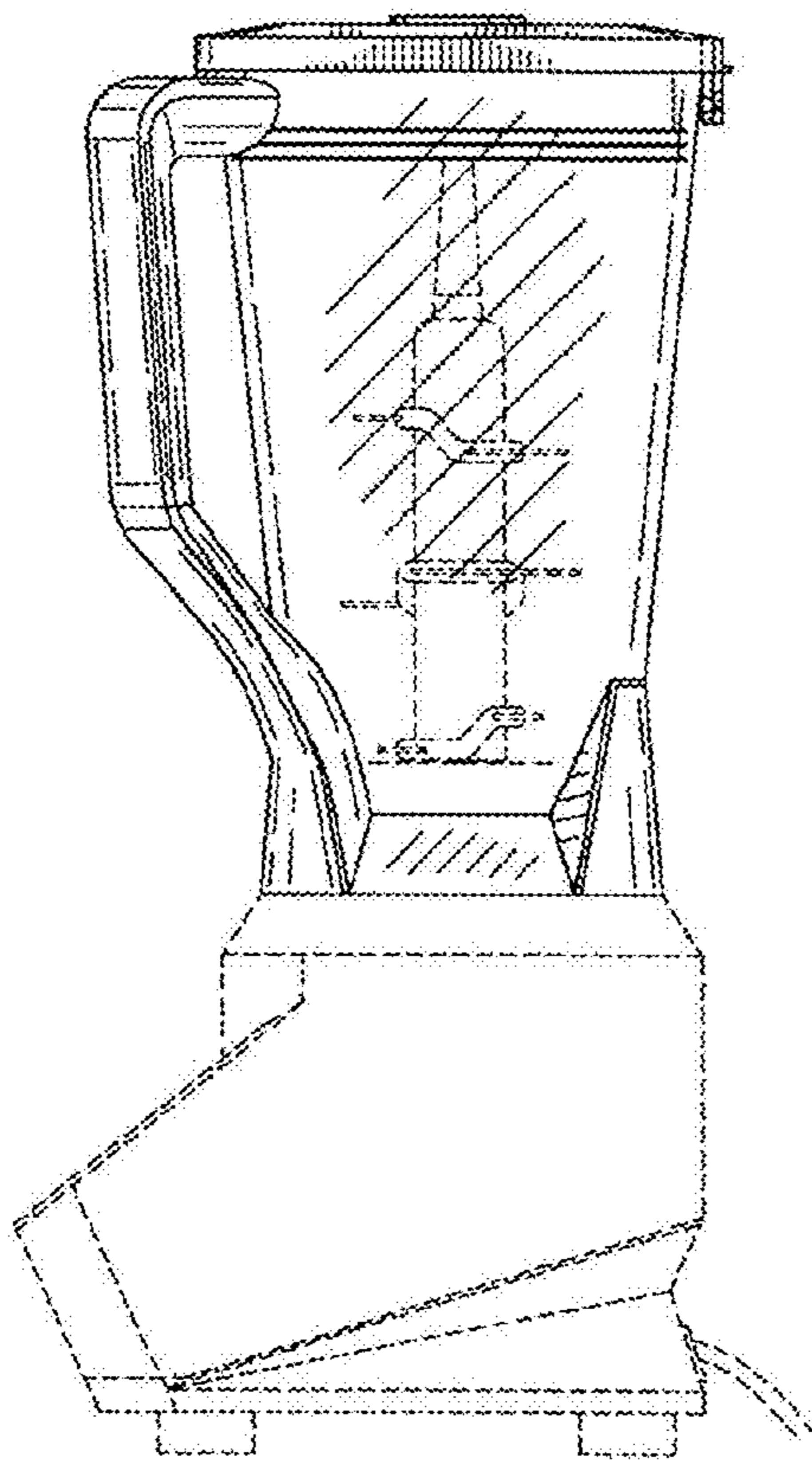


FIG. 5

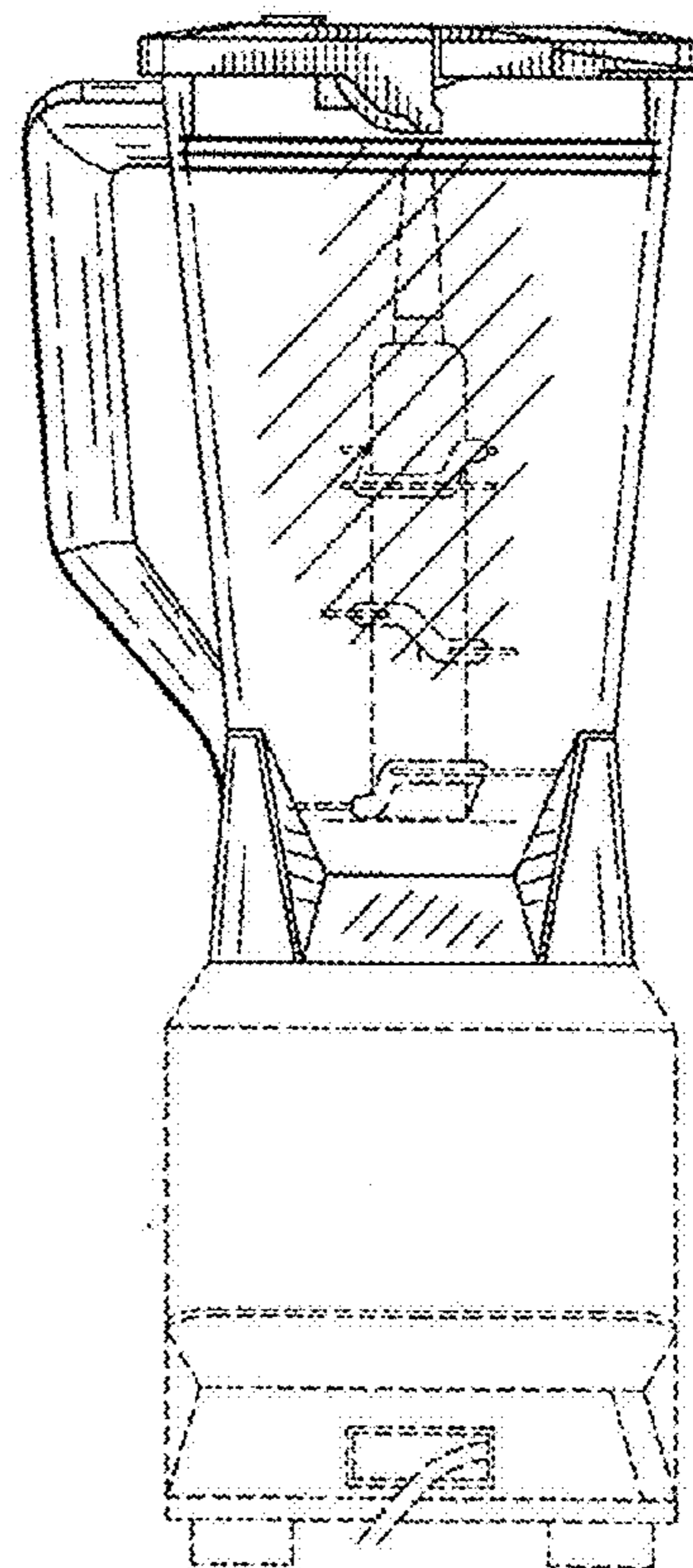


FIG. 3