



US00D647365S

(12) **United States Design Patent**
Audette et al.

(10) **Patent No.:** **US D647,365 S**
(45) **Date of Patent:** **** Oct. 25, 2011**

- (54) **BLENDER BLADES**
- (75) Inventors: **David M. Audette**, Webster, MA (US);
Alexander J. Calvino, Cranston, RI (US);
Waiman Chung, Kowloon (HK);
Aric Jennings, Boston, MA (US);
Daniel Stephen Potter, Dracut, MA (US);
Andrea Stavrinou, Brighton, MA (US)
- (73) Assignee: **Euro-Pro Operating LLC**, Newton, MA (US)
- (**) Term: **14 Years**
- (21) Appl. No.: **29/386,896**
- (22) Filed: **Mar. 5, 2011**
- (51) **LOC (9) Cl.** **07-02**
- (52) **U.S. Cl.** **D7/412; D7/376; D7/378; D7/384**
- (58) **Field of Classification Search** D7/305-311,
D7/317-318, 368, 372, 376-386, 412-415,
D7/665; D15/29; 99/348, 508-511; 241/30-37.5,
241/101.01-101.2, 166-169.1, 199.12, 282.1-282.2,
241/285.1-285.3, 291, 292.1; 248/309.2;
366/64-67, 98, 142, 197-211, 241-254,
366/279-292, 341-347; 416/75-76, 70 R,
416/163; 425/456
See application file for complete search history.

D366,595 S	1/1996	Dobson et al.	
D395,573 S	6/1998	Leverrier	
5,823,672 A	10/1998	Barker	
5,875,706 A	3/1999	Borger et al.	
5,921,485 A	7/1999	Plavcan et al.	
D421,201 S	2/2000	Crescenzi et al.	
D421,546 S	3/2000	Ekstrom	
6,532,863 B1	3/2003	Lee	
D499,303 S	12/2004	Huang	
6,834,818 B2 *	12/2004	Lee	241/292.1
D501,628 S *	2/2005	Feil	D7/412
D523,028 S *	6/2006	Fitzpatrick	D15/29
D572,076 S	7/2008	Ling	
7,419,111 B2	9/2008	Gursel	
D604,101 S	11/2009	Sands	
7,641,380 B2 *	1/2010	Behar et al.	366/205
7,677,485 B2	3/2010	Gursel	
D622,095 S	8/2010	Metaxatos et al.	
D623,890 S	9/2010	Metaxatos et al.	
7,905,438 B2 *	3/2011	Holcomb et al.	241/292.1
2002/0139884 A1 *	10/2002	Williams et al.	241/282.1
2008/0198691 A1 *	8/2008	Behar et al.	366/205
2010/0246320 A1 *	9/2010	Sands	366/246

* cited by examiner

Primary Examiner — Ricky Pham
(74) *Attorney, Agent, or Firm* — Wolf, Greenfield & Sacks, P.C.

(57) **CLAIM**
The ornamental design of blender blades, substantially as shown and described.

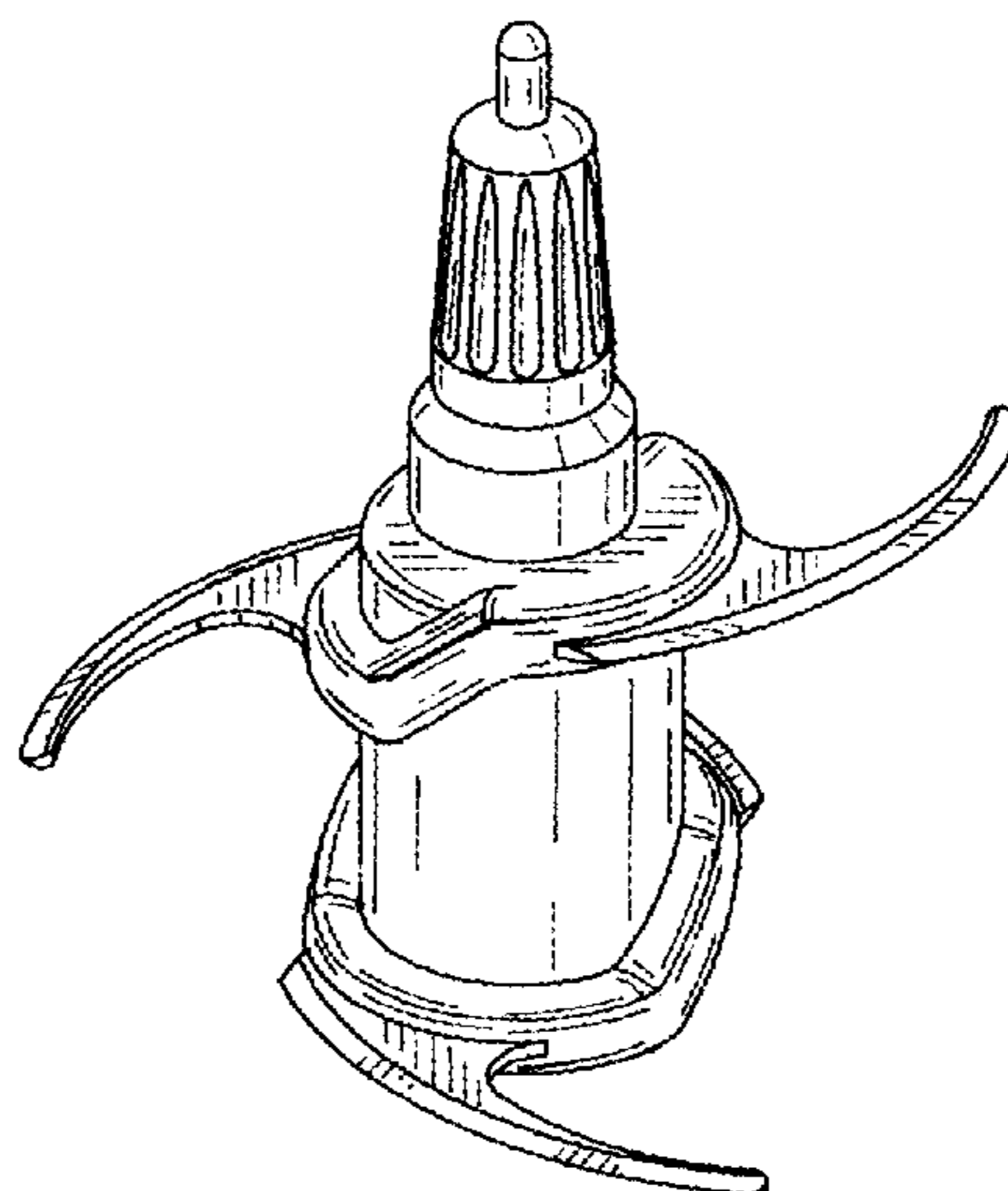
(56) **References Cited**
U.S. PATENT DOCUMENTS

3,139,917 A	7/1964	Elmore	
3,156,278 A *	11/1964	Otto	241/282.2
3,461,933 A *	8/1969	Mantelet	241/199.12
4,173,310 A *	11/1979	Schaeffer	241/282.1
4,331,300 A *	5/1982	Hicks et al.	241/282.1
4,733,827 A	3/1988	Williams	
4,752,041 A *	6/1988	Franke et al.	241/282.1
4,817,878 A	4/1989	Shibata	
D320,326 S	10/1991	Barrault	
D339,502 S	9/1993	Kamiyama	

DESCRIPTION

FIG. 1 is a perspective view of blender blades in accordance with the present design;
FIG. 2 is a front view thereof;
FIG. 3 is a rear view thereof;
FIG. 4 is a left side view thereof;
FIG. 5 is a right side view thereof;
FIG. 6 is a top plan view thereof; and,
FIG. 7 is a bottom plan view thereof.

1 Claim, 3 Drawing Sheets



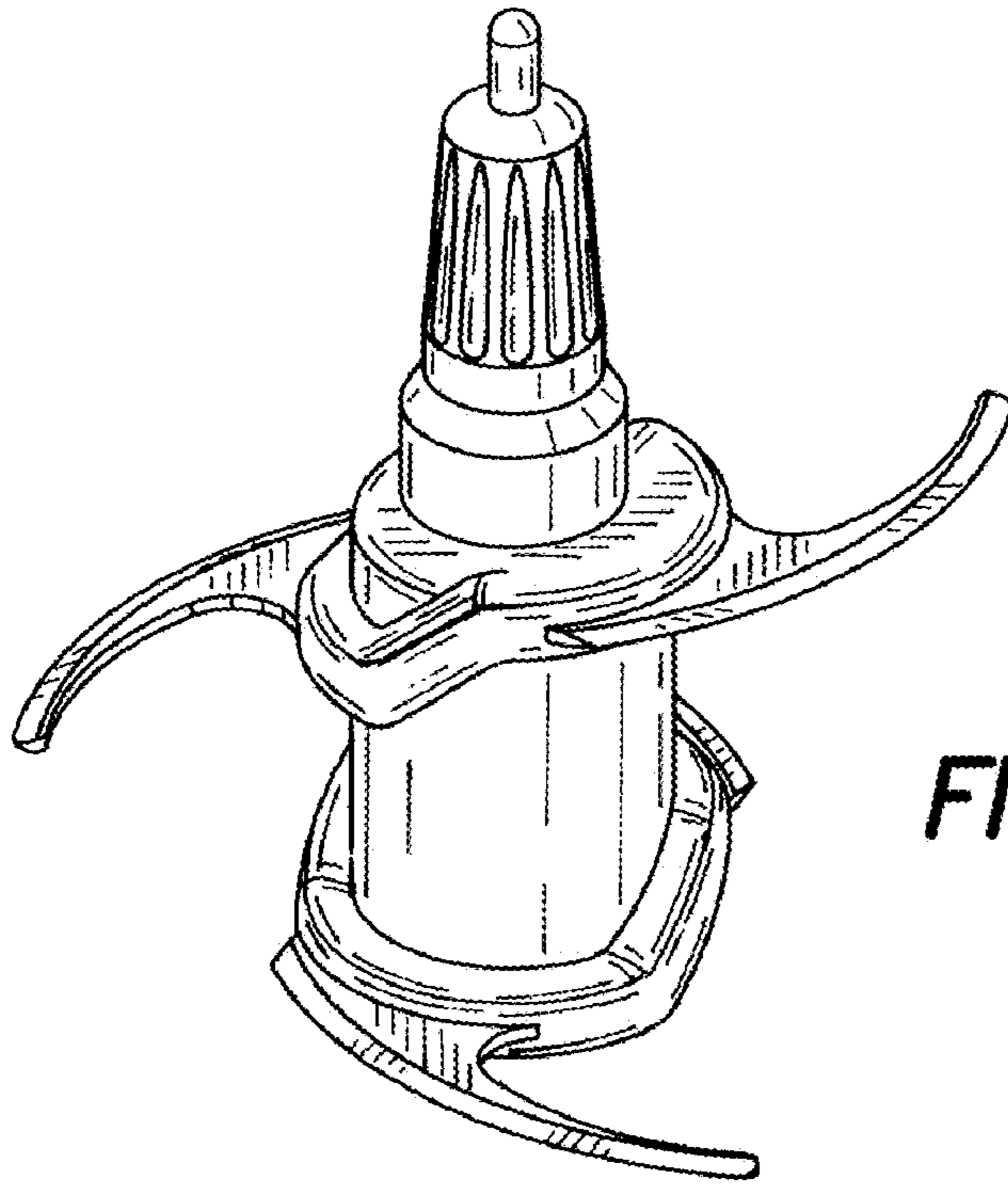
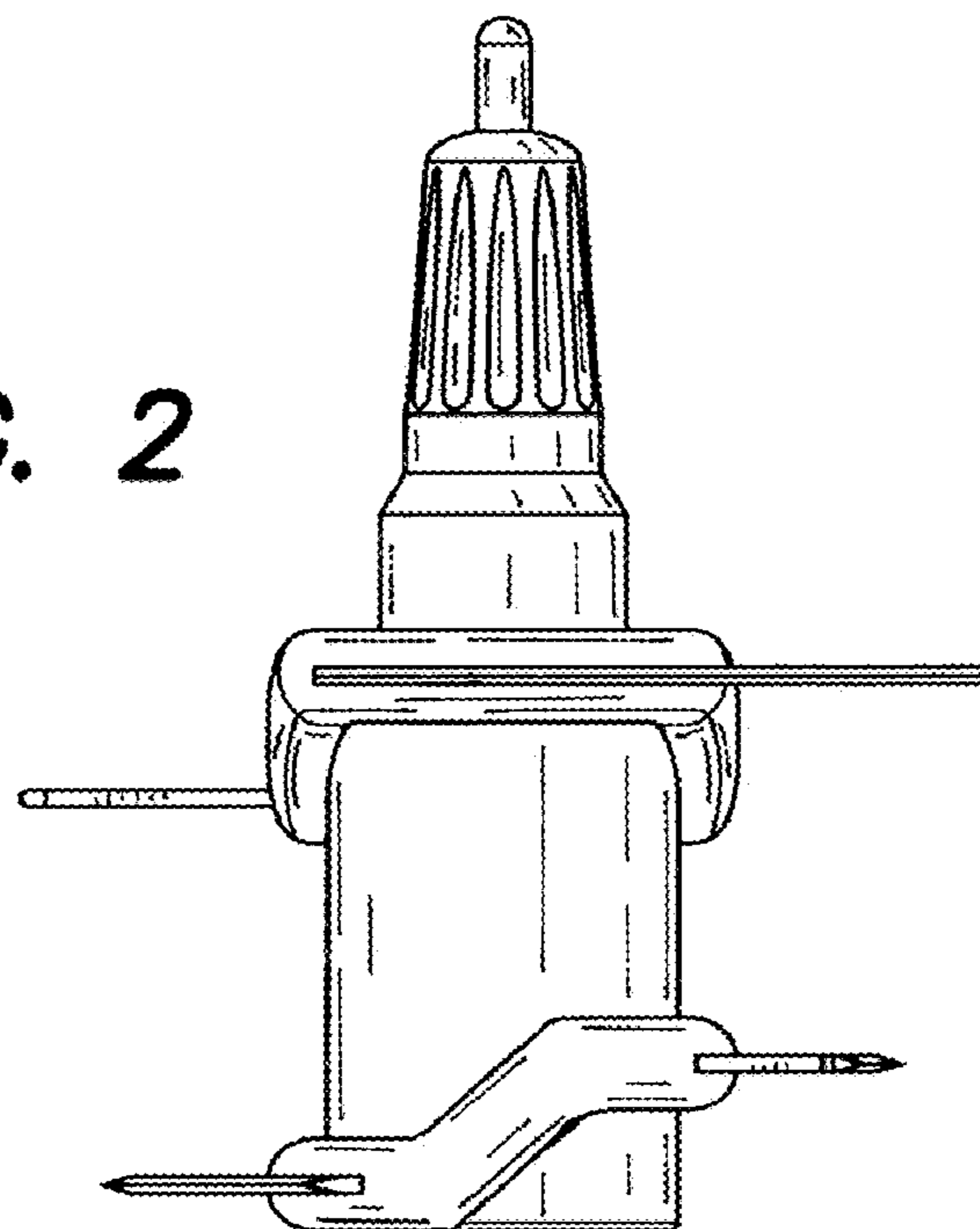


FIG. 1

FIG. 2



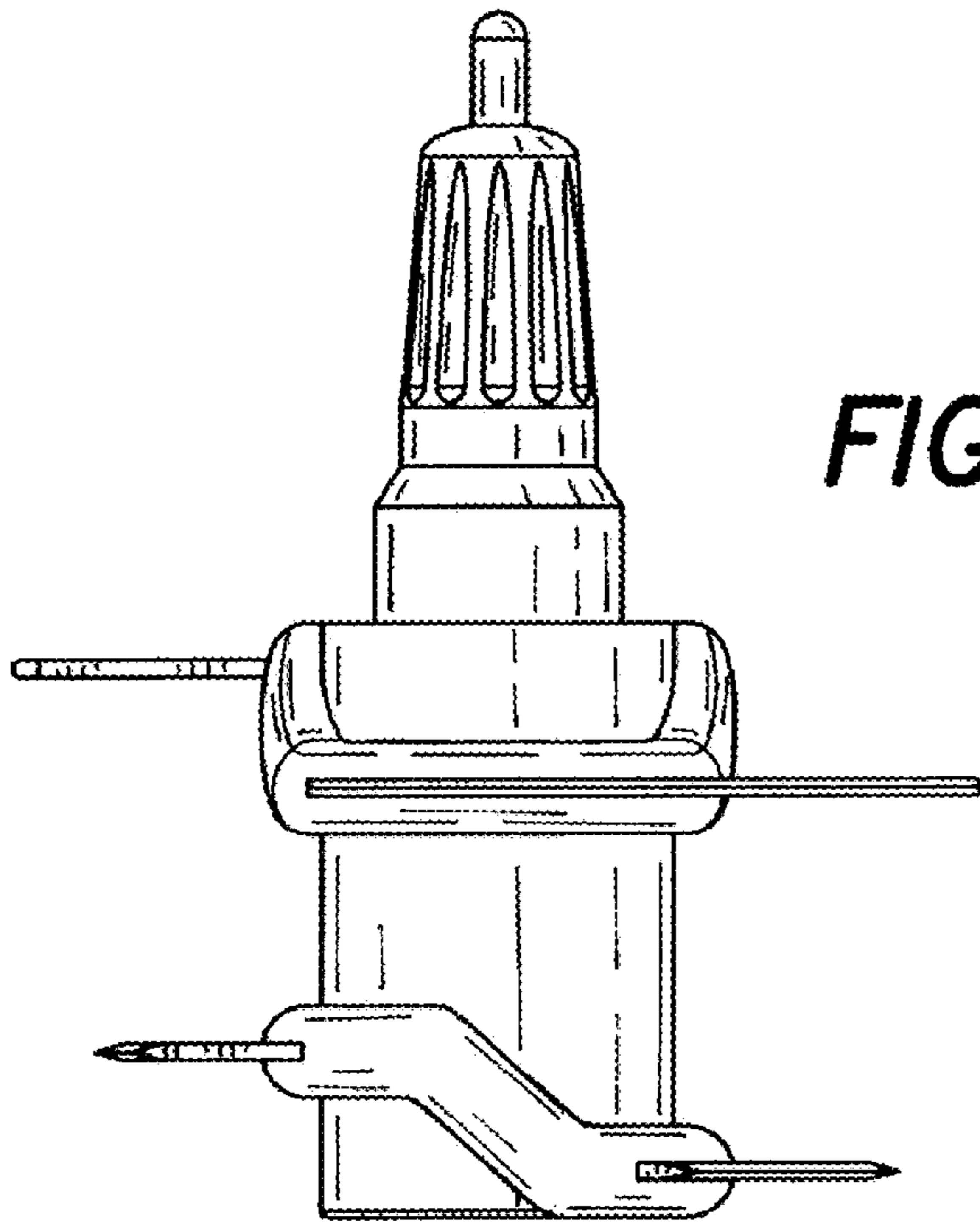


FIG. 3

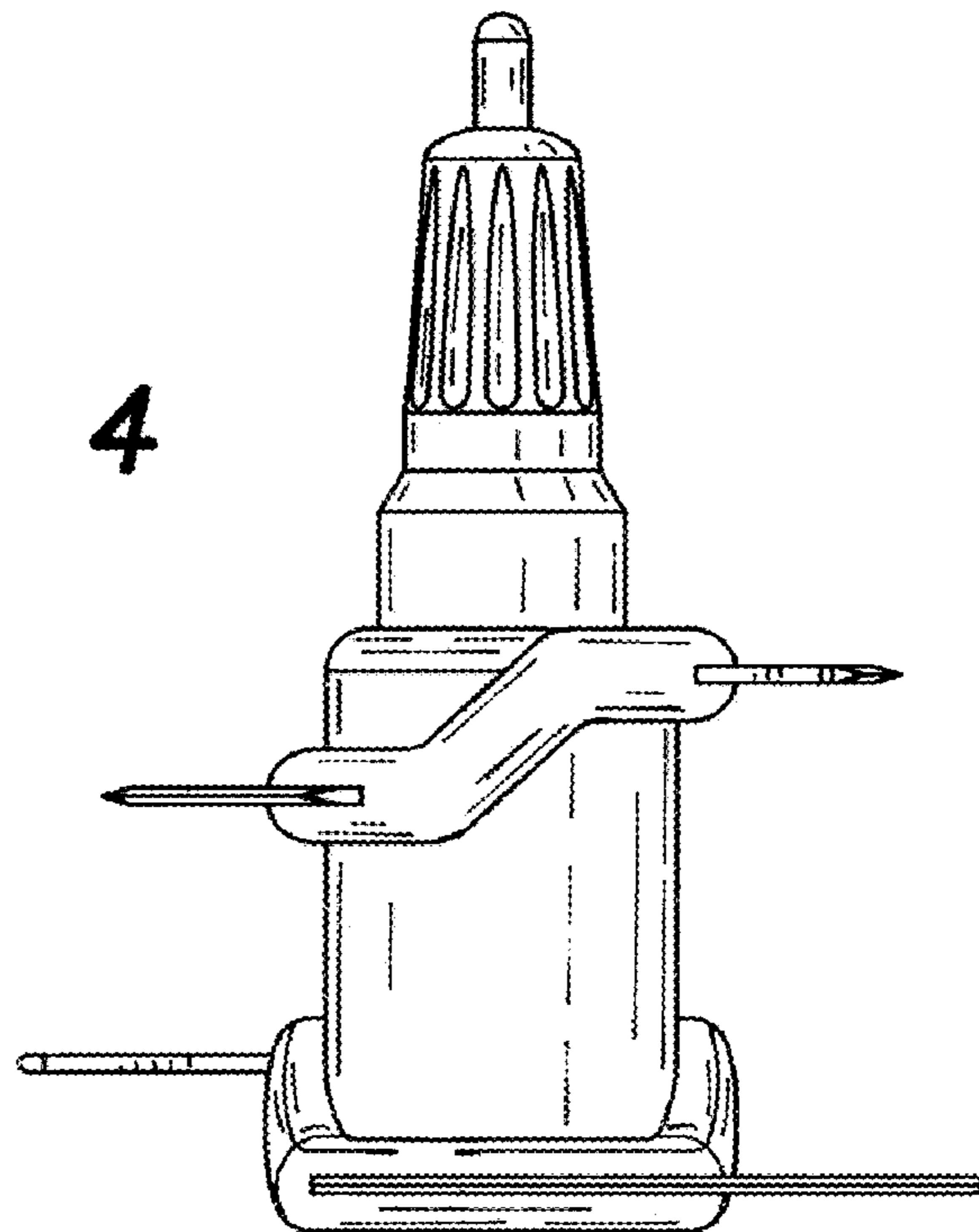


FIG. 4

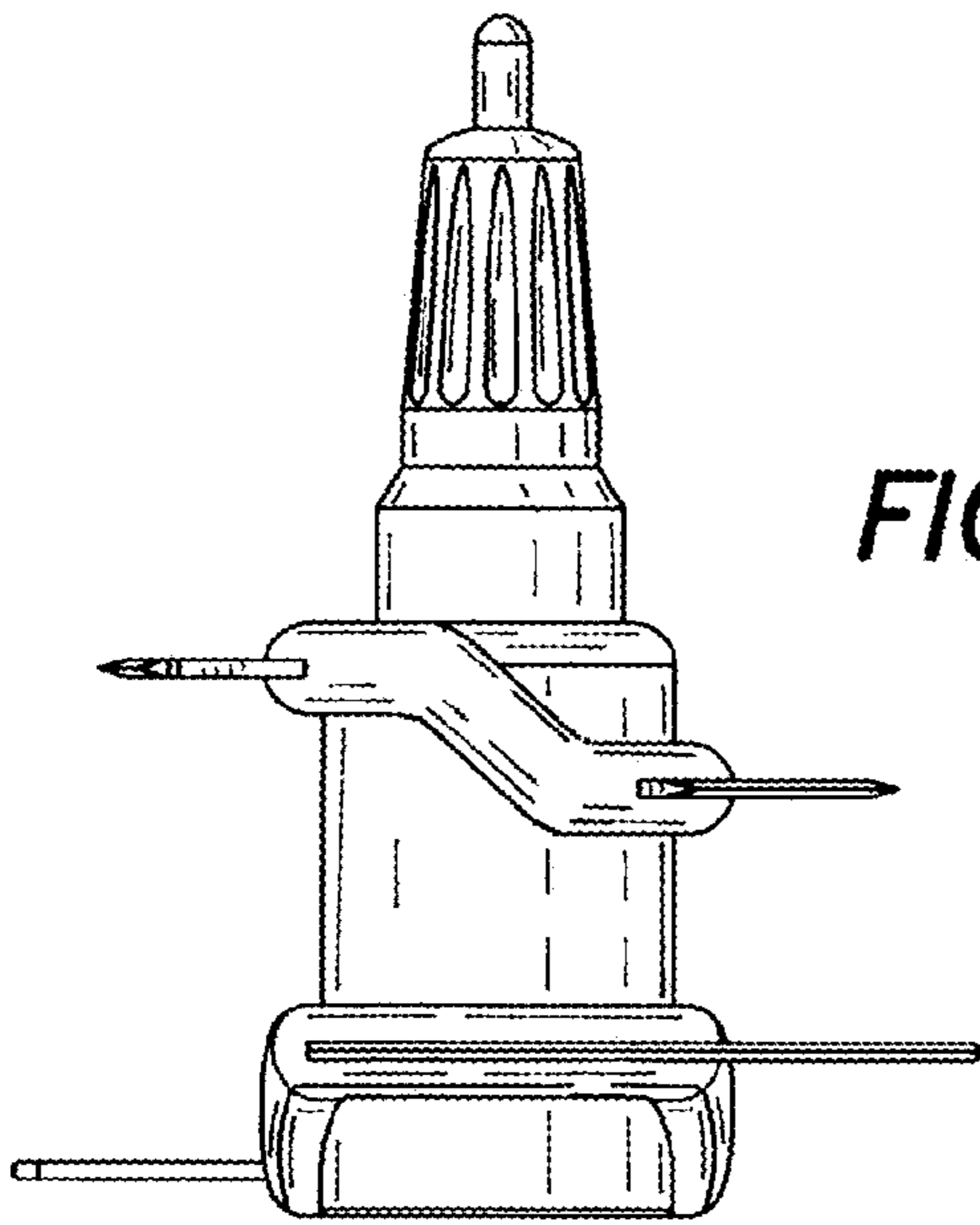


FIG. 5

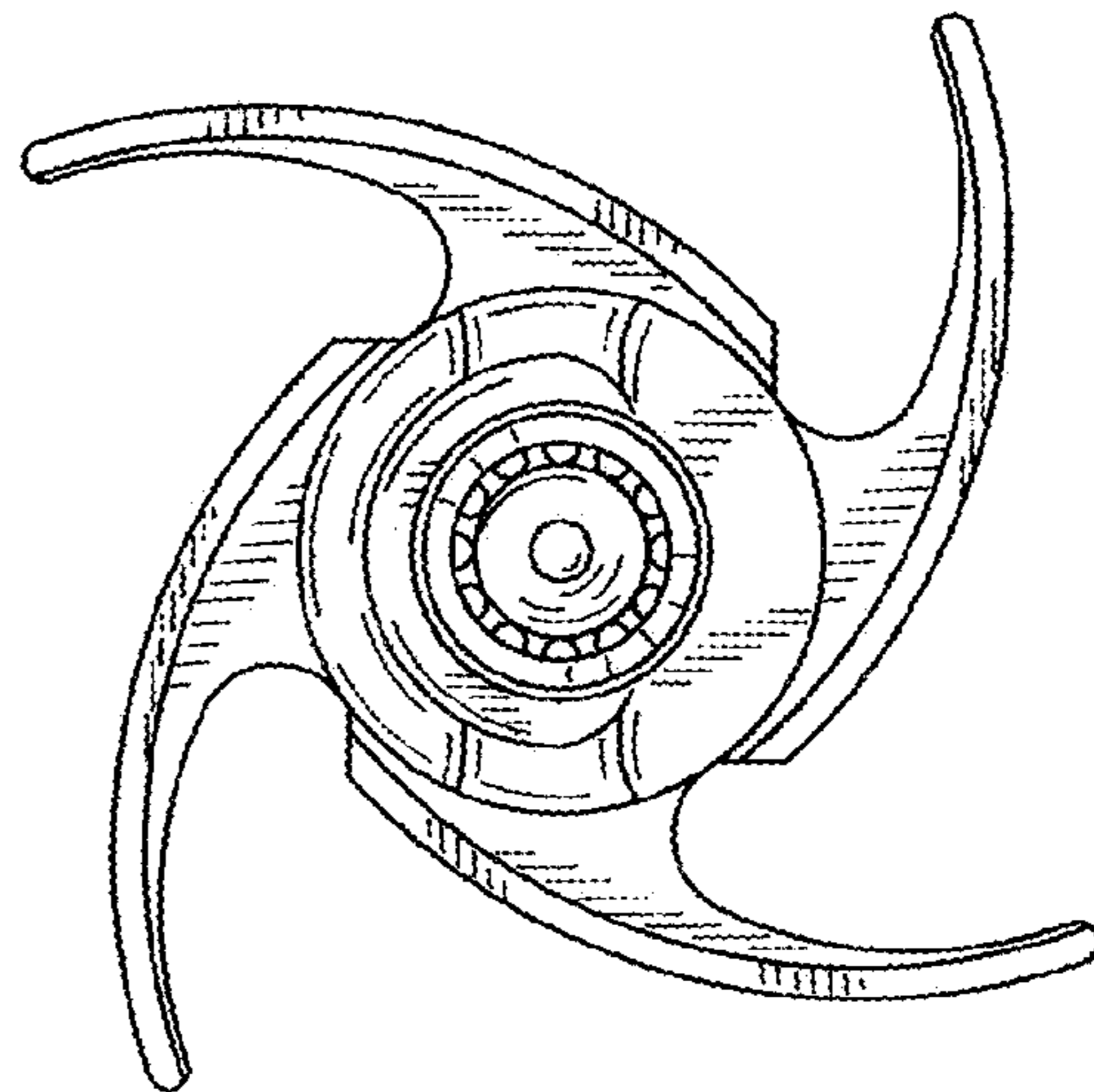


FIG. 6

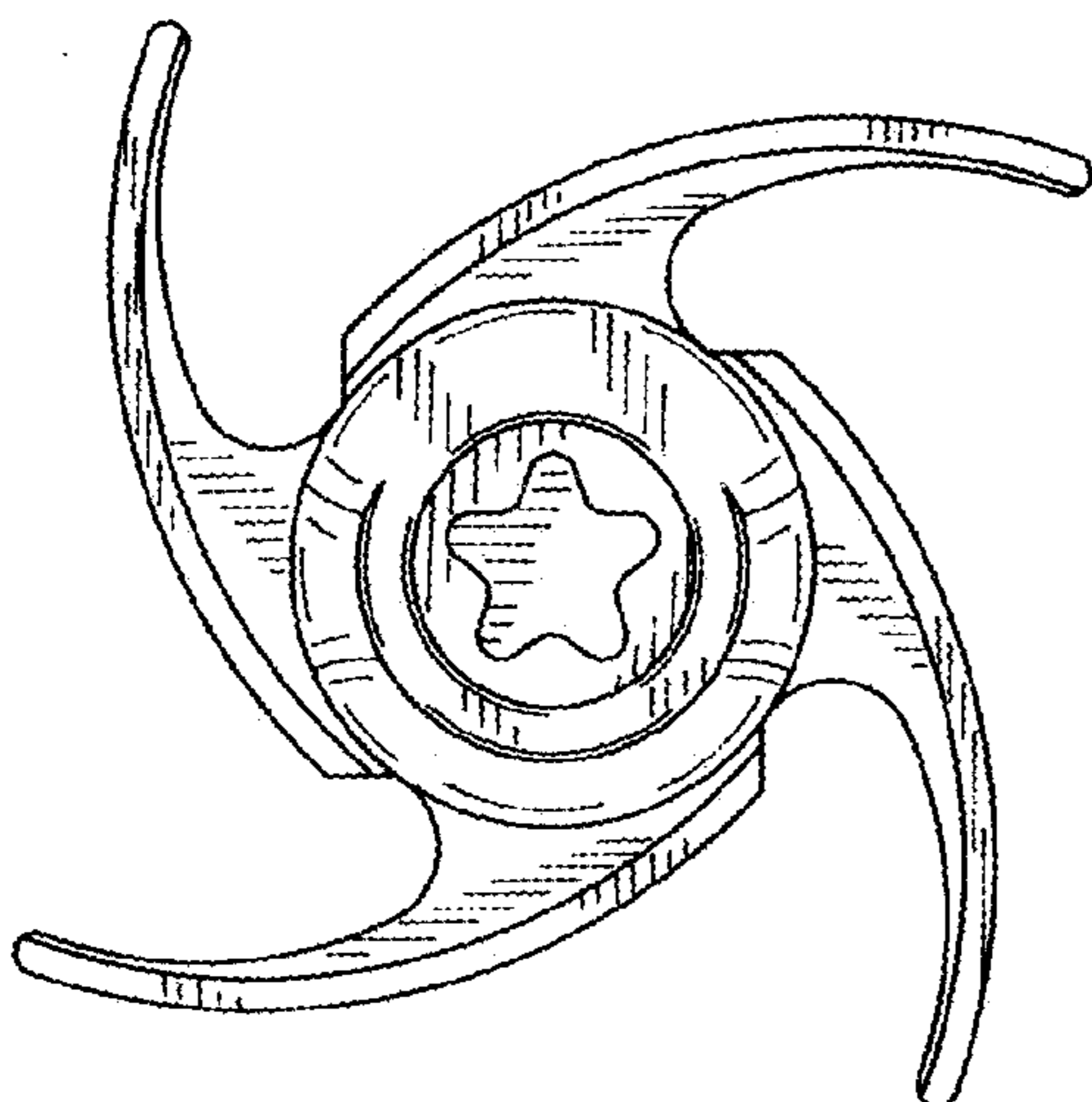


FIG. 7