



US00D647360S

(12) **United States Design Patent**
Smyers

(10) **Patent No.:** **US D647,360 S**

(45) **Date of Patent:** **** Oct. 25, 2011**

(54) **LIDS**

(75) Inventor: **Justin Smyers**, Newport Beach, CA (US)

(73) Assignee: **Snapware Corporation**, Mira Loma, CA (US)

(**) Term: **14 Years**

(21) Appl. No.: **29/386,899**

(22) Filed: **Mar. 5, 2011**

Related U.S. Application Data

(62) Division of application No. 29/365,704, filed on Jul. 13, 2010, now Pat. No. Des. 633,757.

(51) **LOC (9) Cl.** **07-02**

(52) **U.S. Cl.** **D7/391; D7/629**

(58) **Field of Classification Search** D7/318,
D7/323, 354–363, 391–396, 402, 538, 541–543,
D7/601–602, 610, 629; D9/434–435, 443;
16/110.1, 407, 430–431, 441, 443; 219/620–622,
219/725, 729–730, 734; 220/212, 365–367.1,
220/573.1–573.5, 752–758, 767–771, 832,
220/912

See application file for complete search history.

(56) **References Cited**

U.S. PATENT DOCUMENTS

5,535,910	A	*	7/1996	Cassel	220/212
D472,145	S	*	3/2003	Nottingham et al.	D9/443
D488,031	S	*	4/2004	Kim	D7/629
D493,073	S	*	7/2004	Kim	D7/629
D523,296	S	*	6/2006	Kim	D7/629
D524,119	S	*	7/2006	Kim	D7/629
D528,357	S	*	9/2006	Hsu	D7/392.1
D575,115	S	*	8/2008	Zimmerman	D7/629
D606,813	S	*	12/2009	Kim	D7/629
D615,821	S	*	5/2010	Stamper	D7/541

D631,708	S	*	2/2011	Smyers	D7/629
D633,757	S	*	3/2011	Smyers	D7/629
D636,641	S	*	4/2011	Smyers	D7/629

* cited by examiner

Primary Examiner — Ricky Pham

(74) *Attorney, Agent, or Firm* — Larry K. Roberts

(57) **CLAIM**

The ornamental design for lids, as shown and described.

DESCRIPTION

FIG. 1 is an isometric view of an embodiment of the design; FIG. 2 a front elevation view of the embodiment of FIG. 1, the left, right and back elevation views of the embodiment of FIG. 1 being identical to the front view of FIG. 2;

FIG. 3 is a top view of the embodiment of FIG. 1;

FIG. 4 is a bottom view of the embodiment of FIG. 1;

FIG. 5 is an isometric view of another embodiment of the design;

FIG. 6 a front elevation view of the embodiment of FIG. 5, the left, right and back elevation views of the embodiment of FIG. 5 being identical to the front view of FIG. 6;

FIG. 7 is a top view of the embodiment of FIG. 5;

FIG. 8 is a bottom view of the embodiment of FIG. 5;

FIG. 9 is an isometric view of another embodiment of the design;

FIG. 10 a front elevation view of the embodiment of FIG. 9, the left, right and back elevation views of the embodiment of FIG. 9 being identical to the front view of FIG. 10;

FIG. 11 is a top view of the embodiment of FIG. 9;

FIG. 12 is a bottom view of the embodiment of FIG. 9;

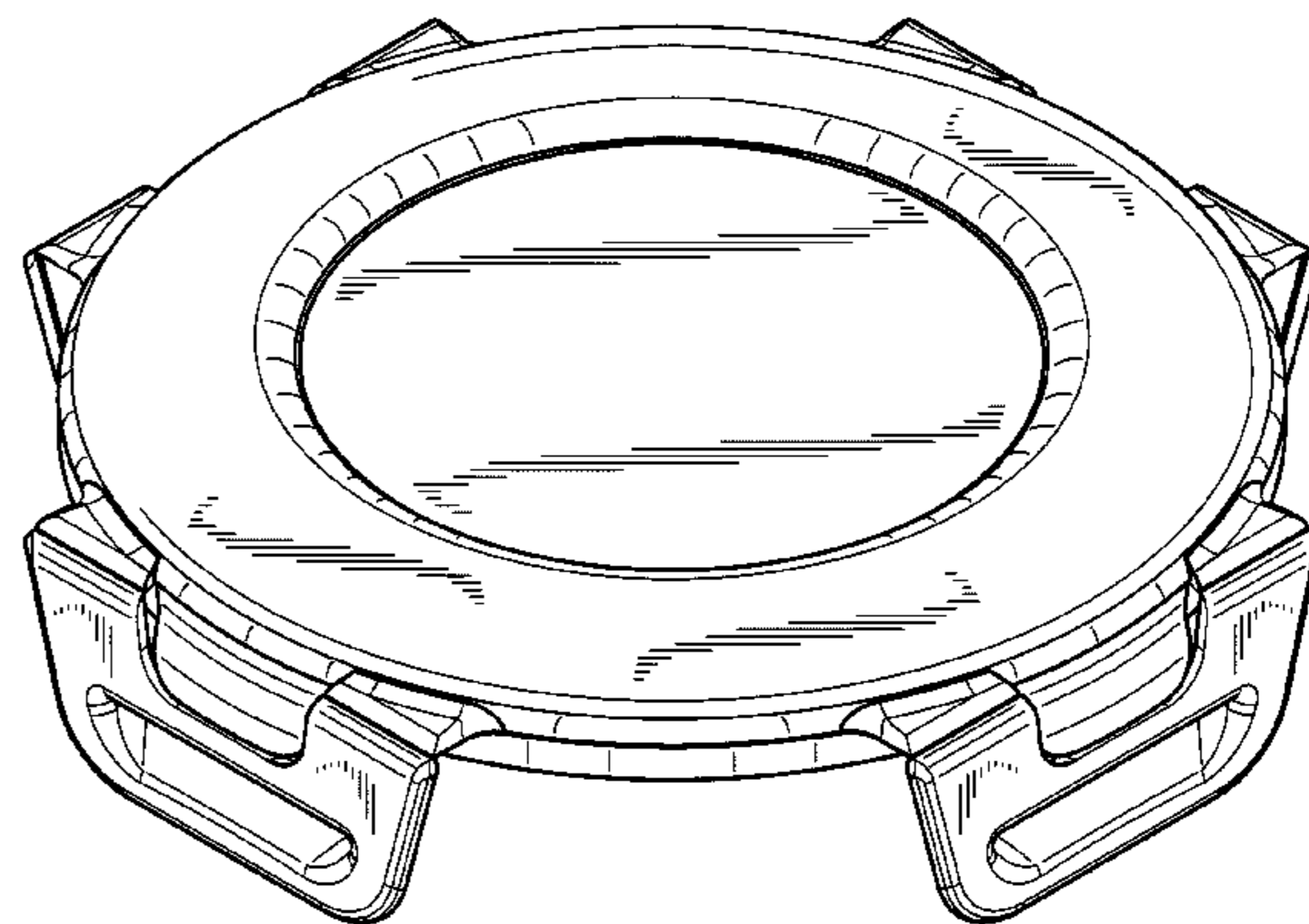
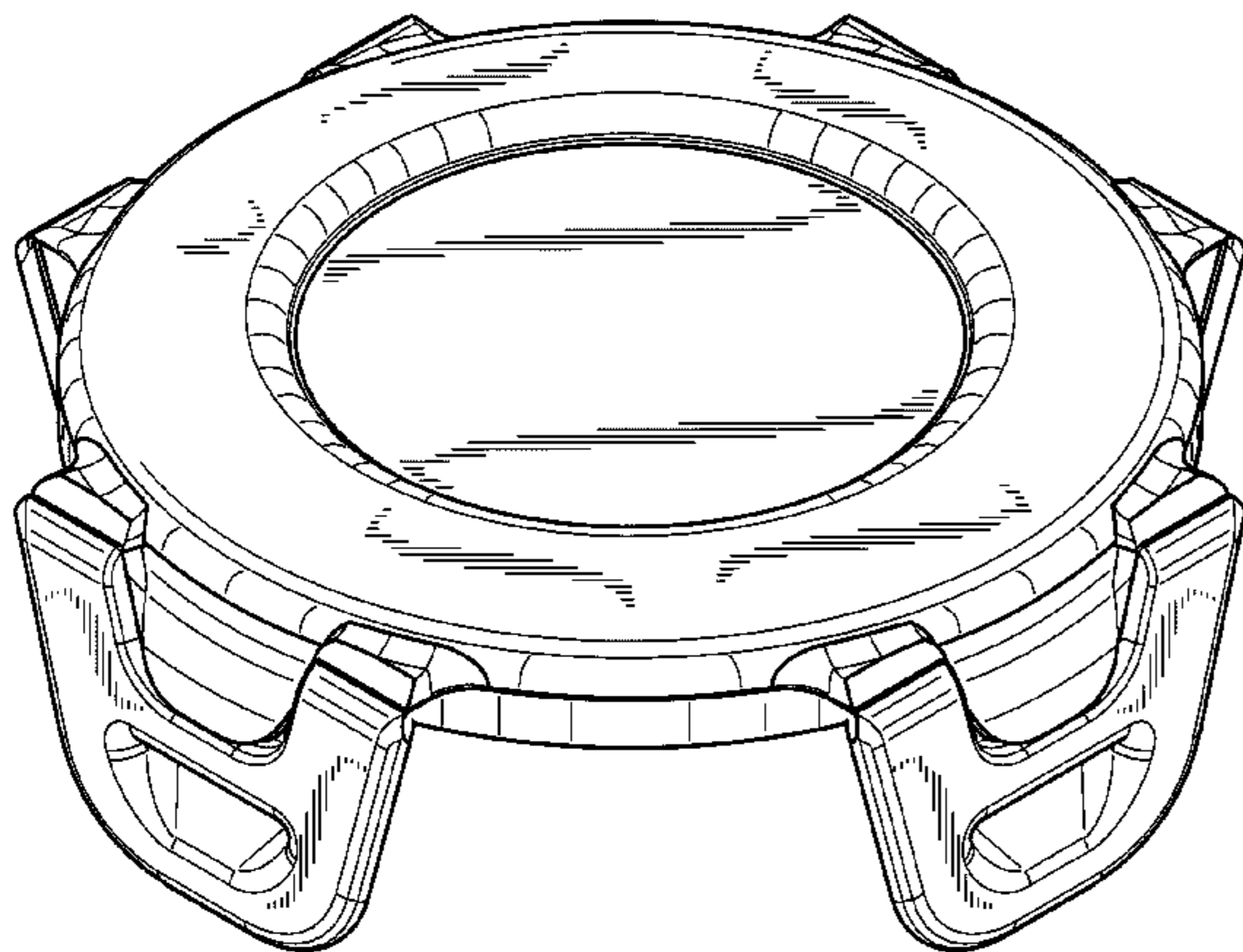
FIG. 13 is an isometric view of another embodiment of the design;

FIG. 14 a front elevation view of the embodiment of FIG. 13, the left, right and back elevation views of the embodiment of FIG. 13 being identical to the front view of FIG. 14;

FIG. 15 is a top view of the embodiment of FIG. 13; and,

FIG. 16 is a bottom view of the embodiment of FIG. 13.

1 Claim, 16 Drawing Sheets



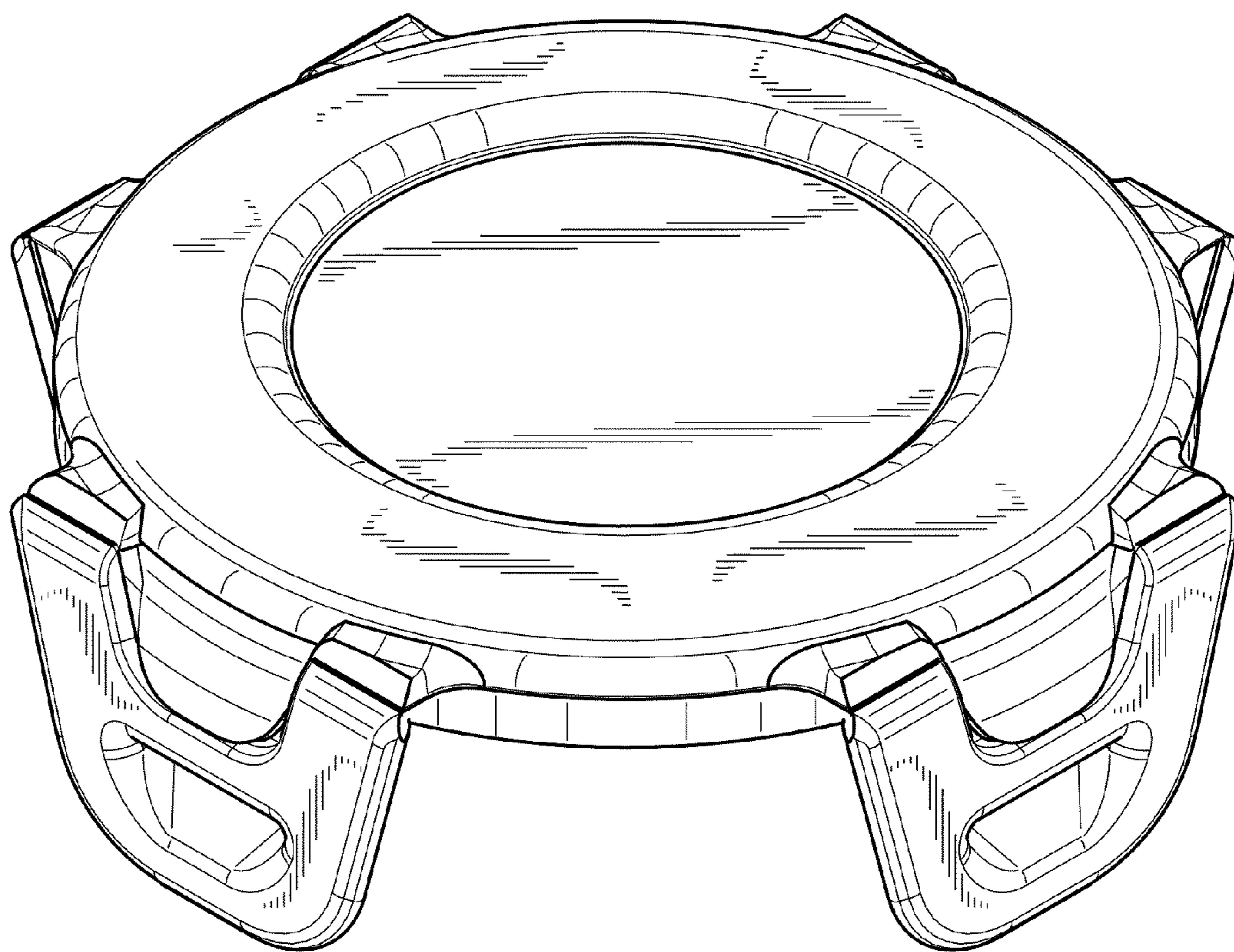


FIG. 1

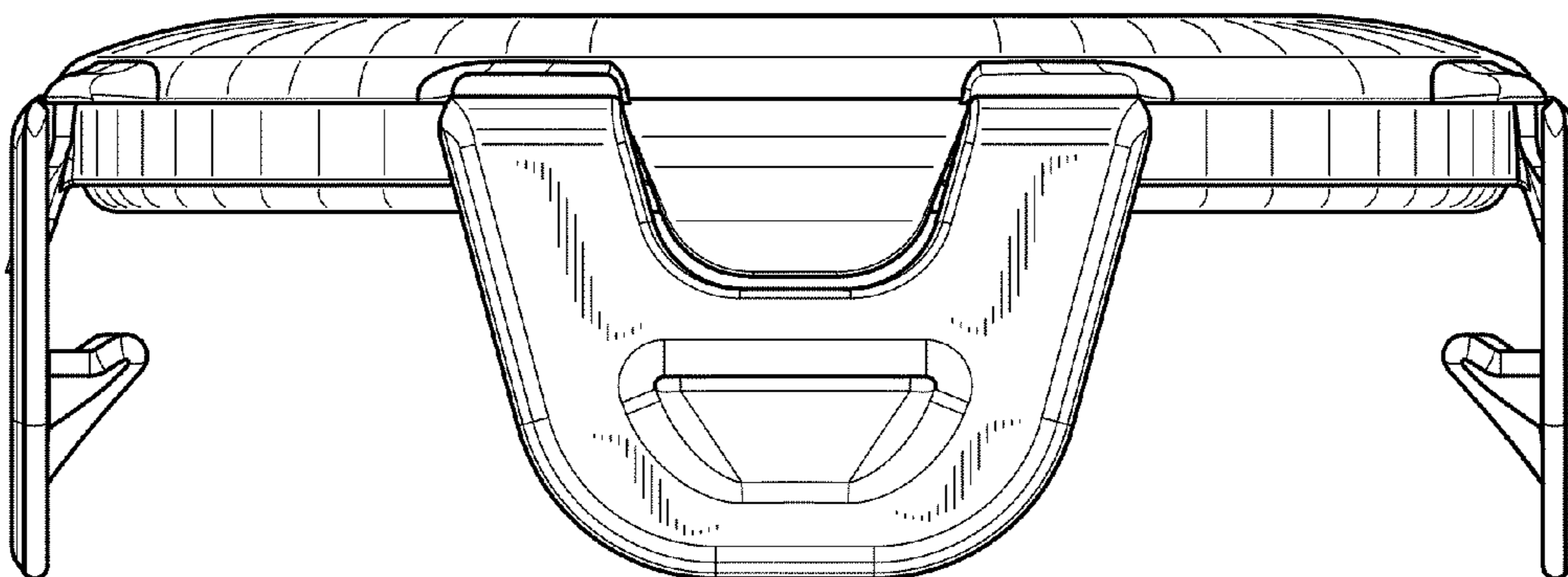


FIG. 2

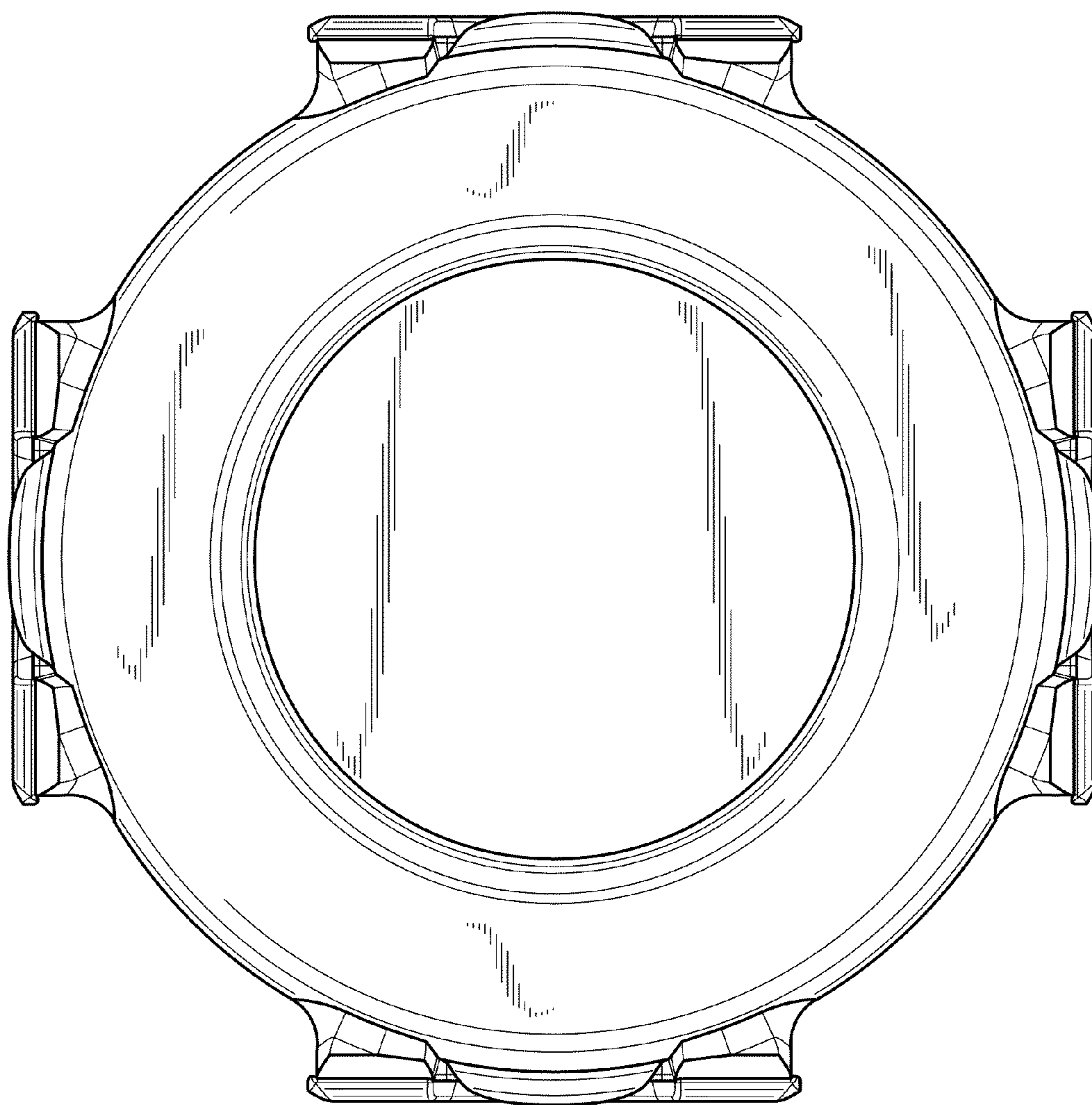


FIG. 3

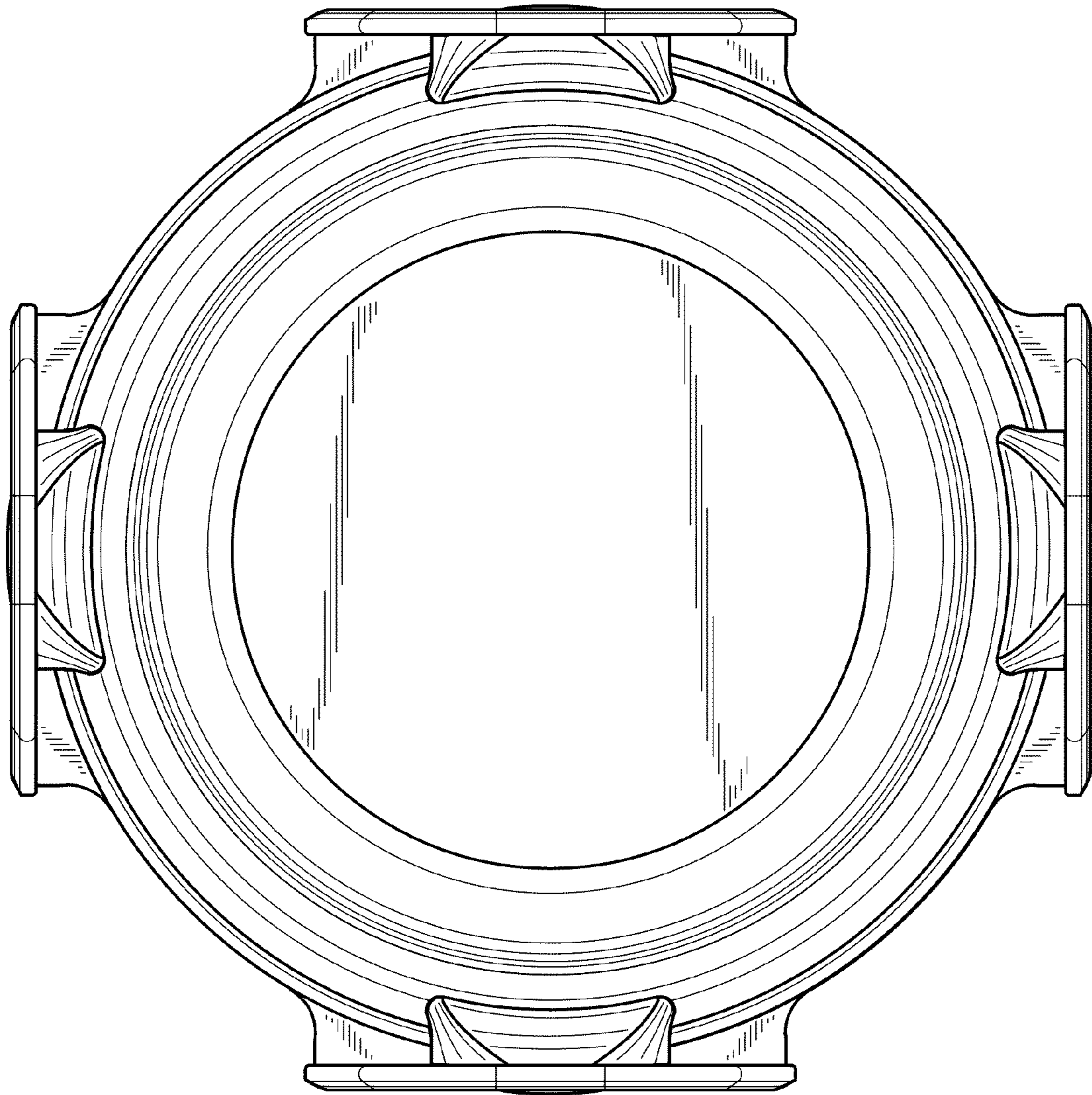


FIG. 4

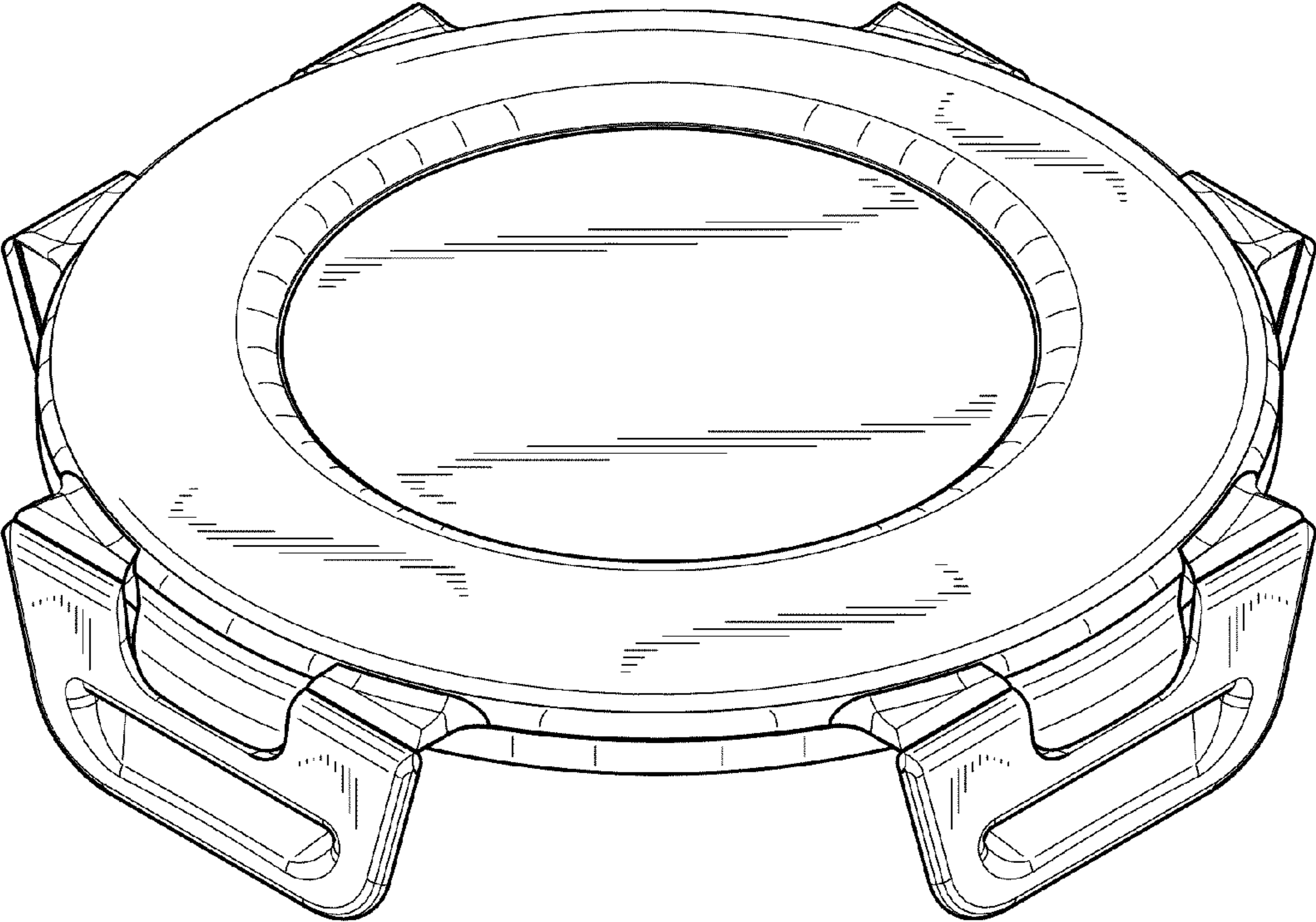


FIG. 5

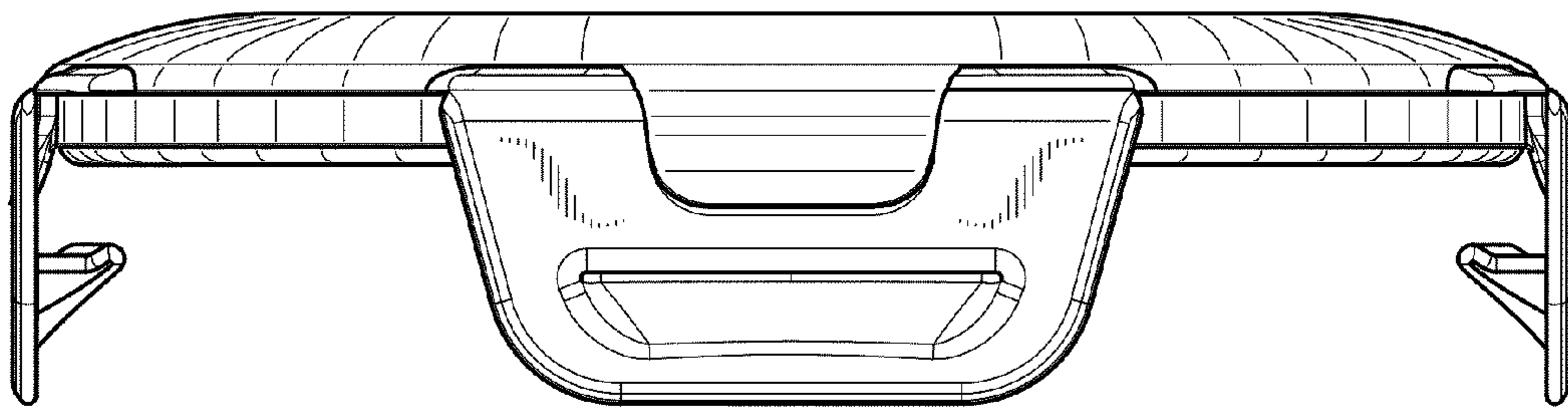


FIG. 6

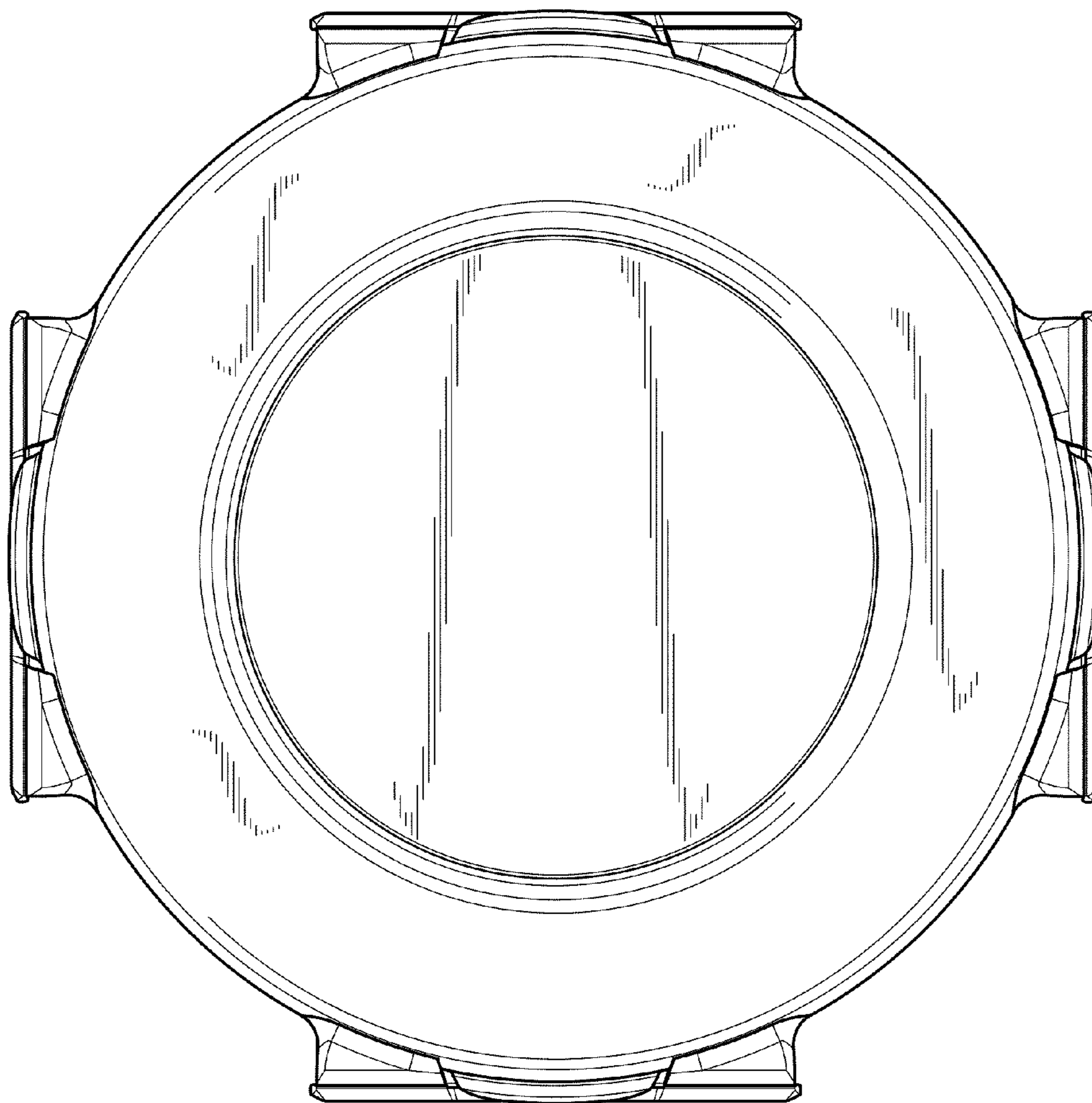


FIG. 7

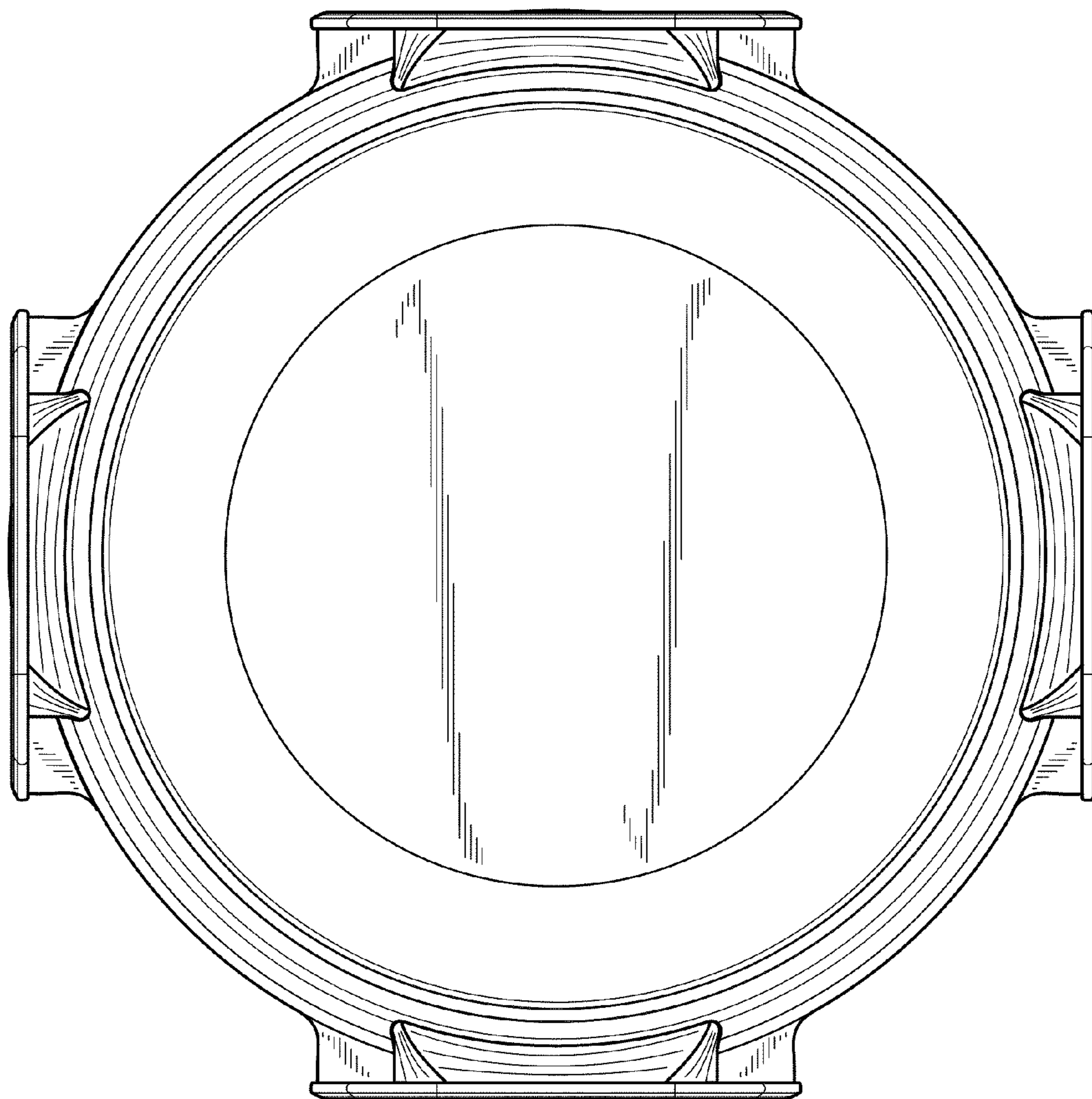


FIG. 8

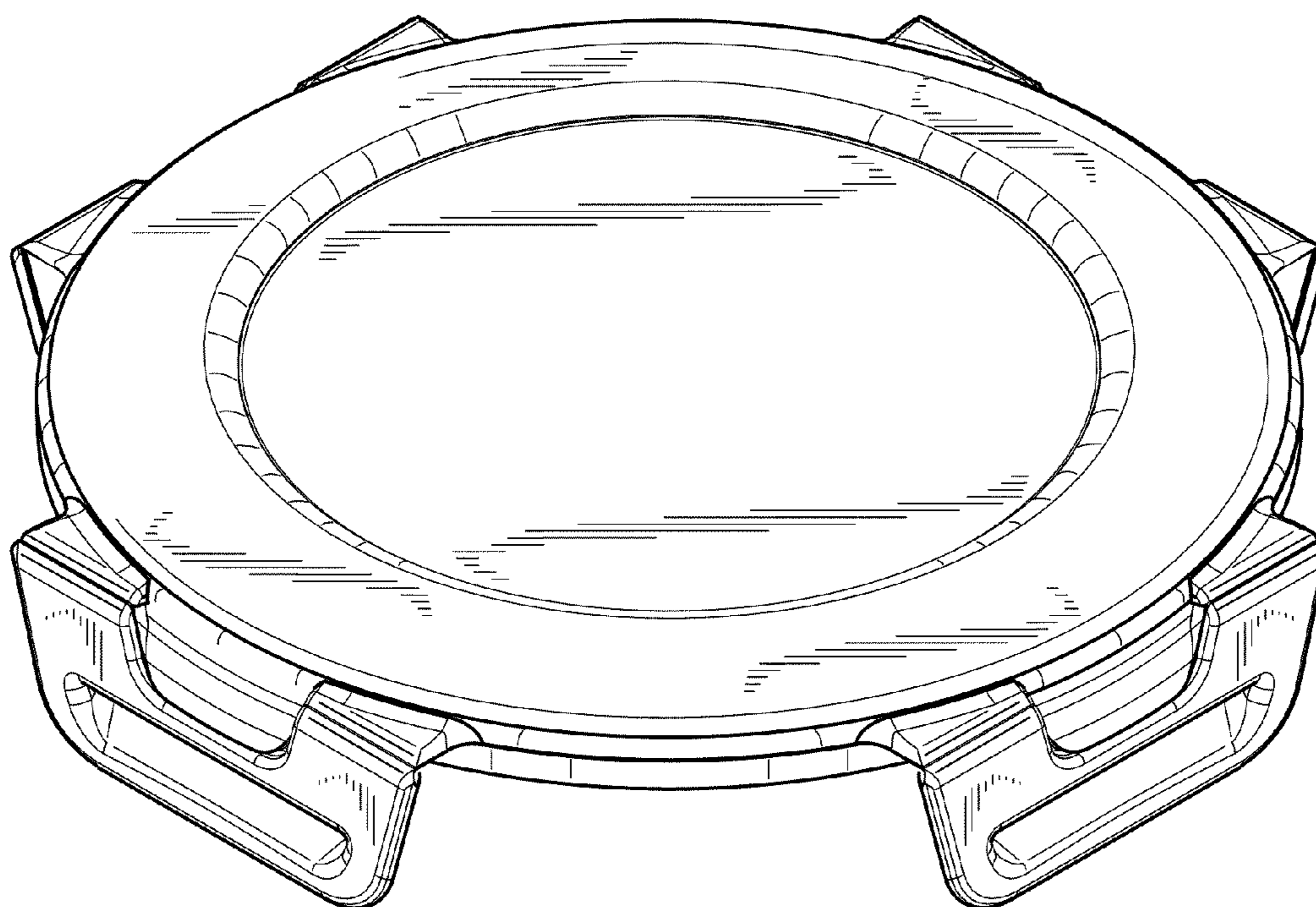


FIG. 9

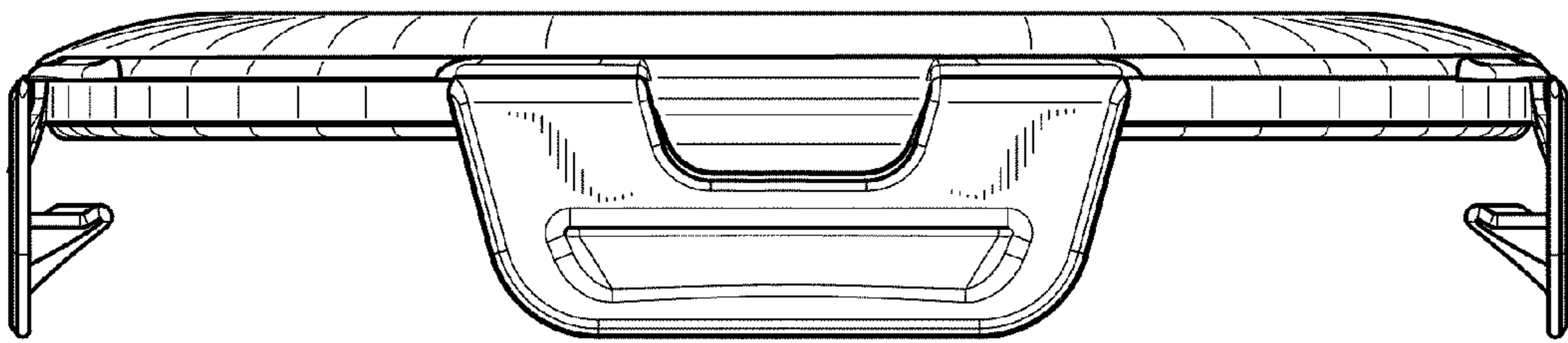


FIG. 10

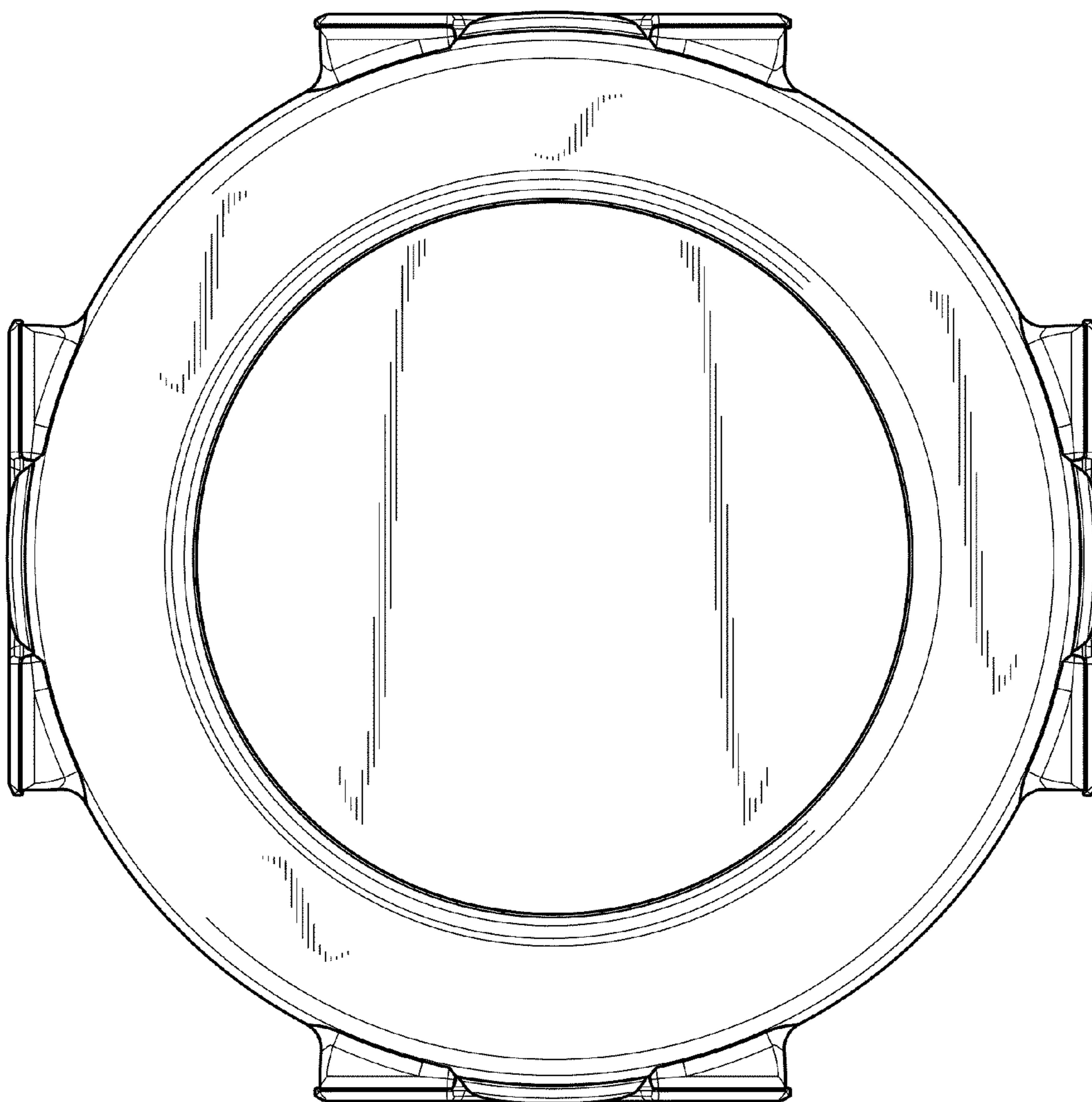


FIG. 11

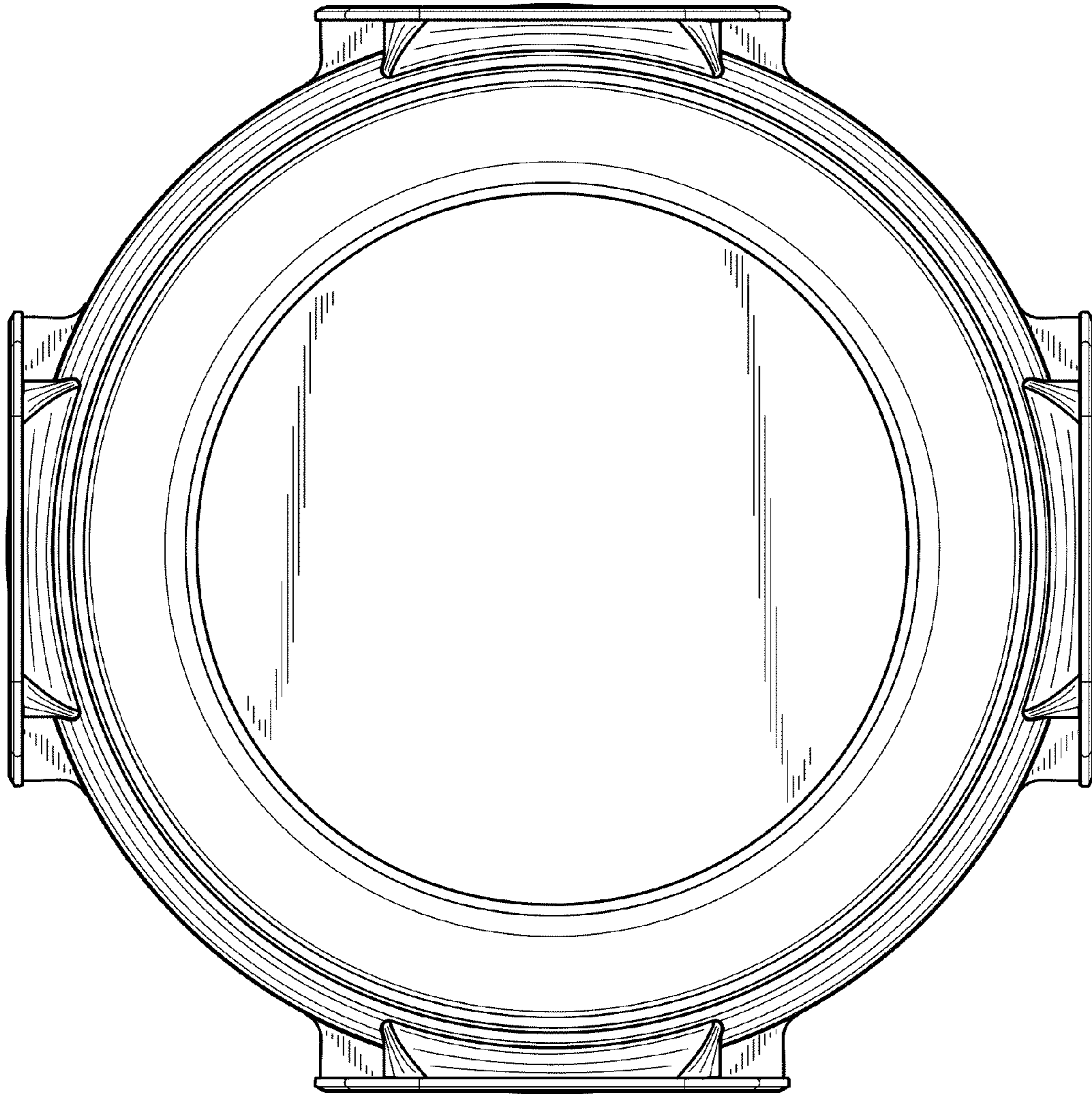


FIG. 12

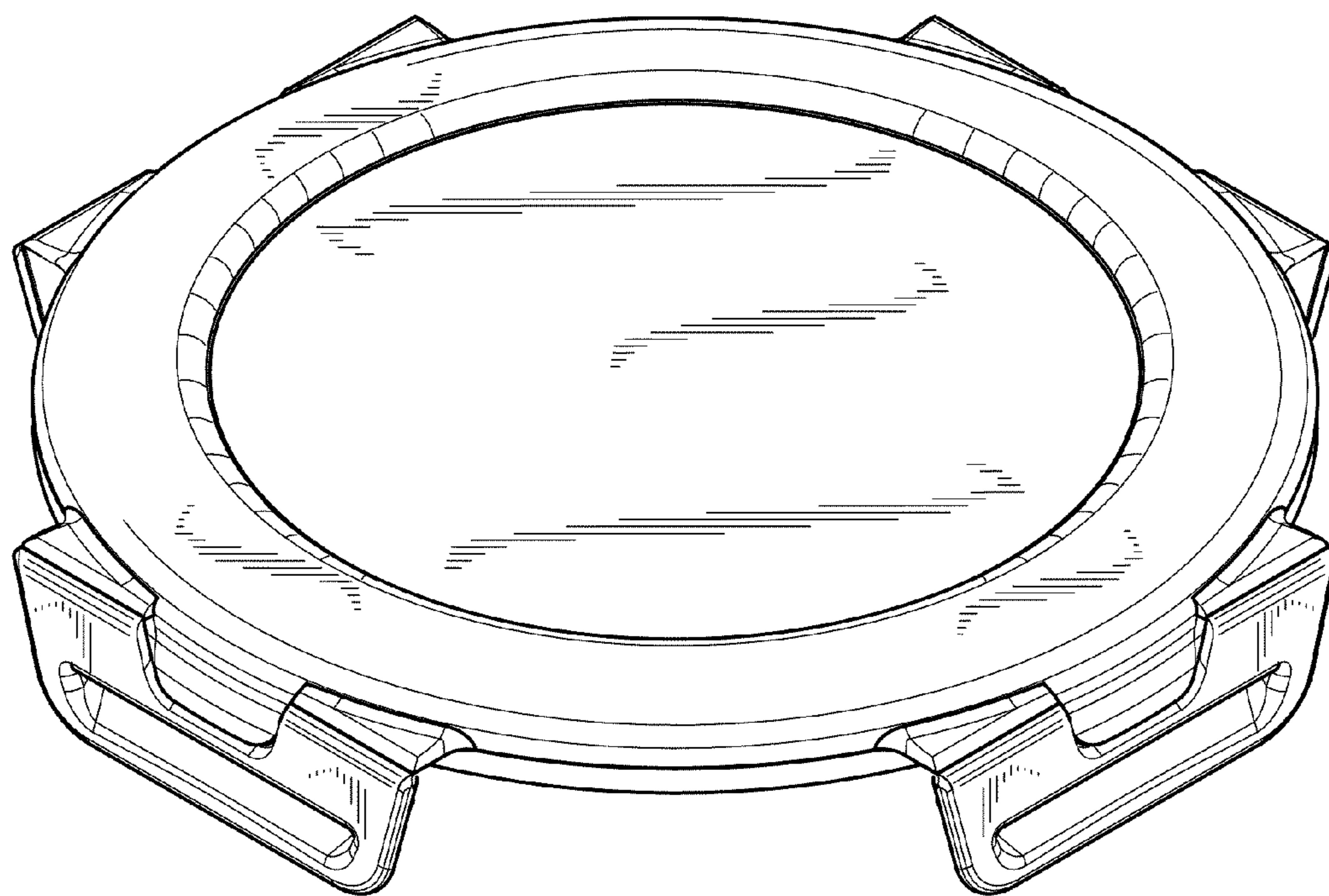


FIG. 13

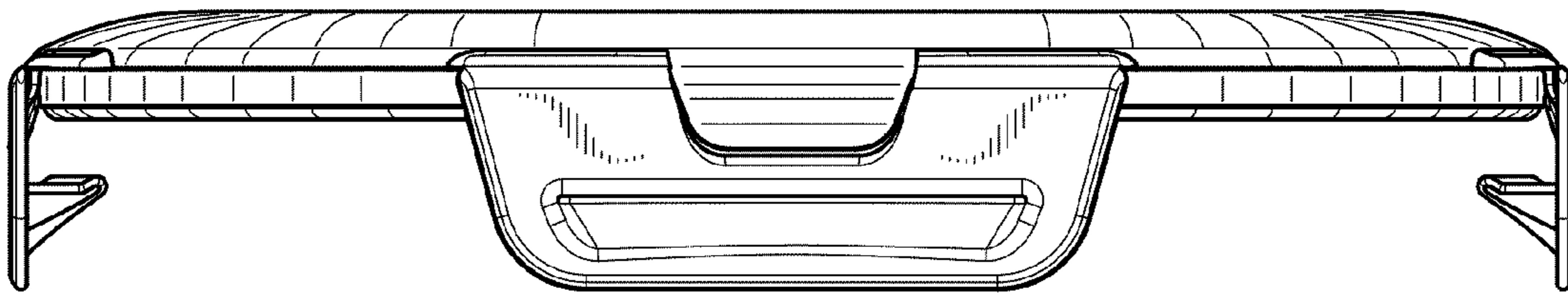


FIG. 14

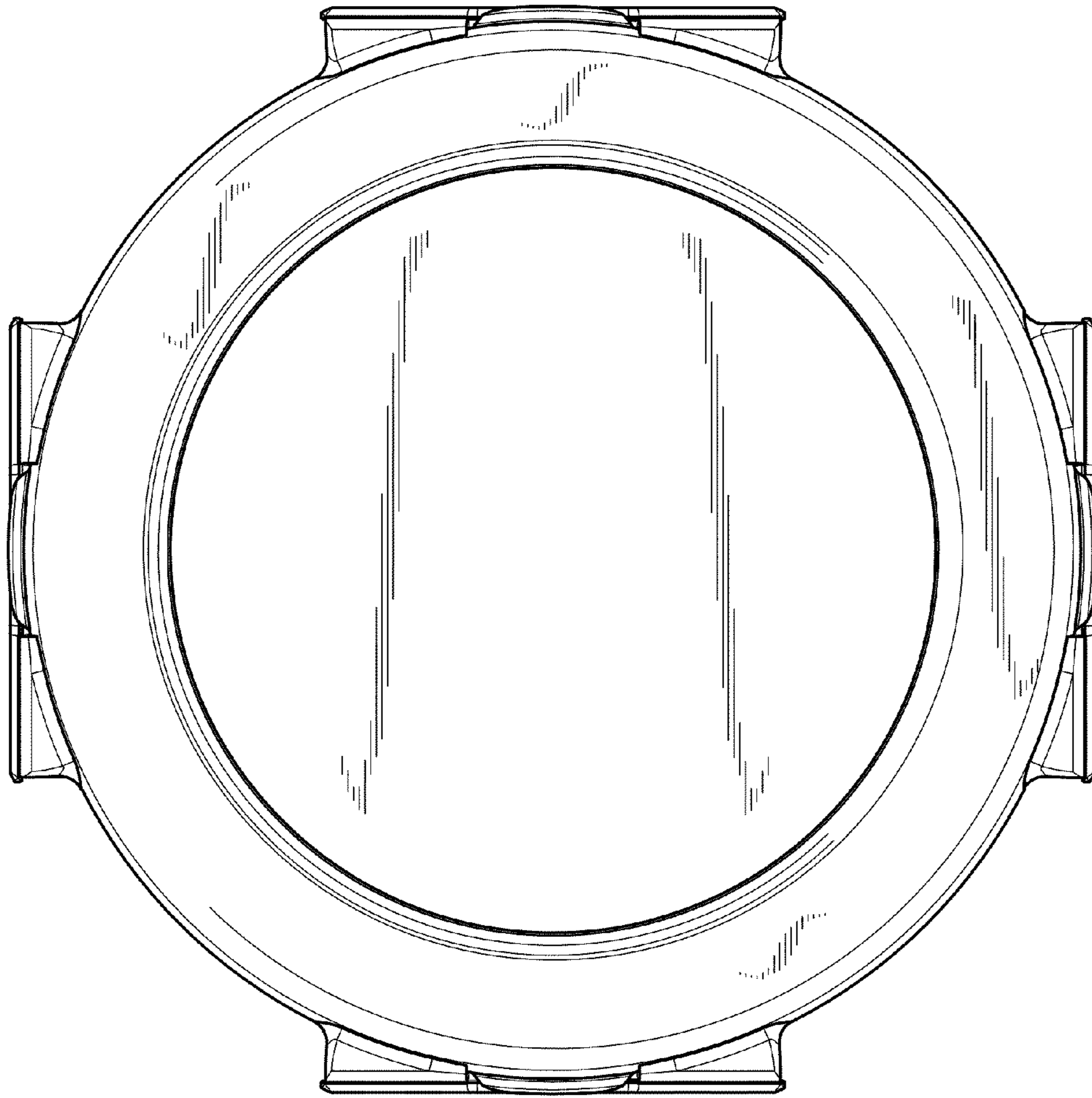


FIG. 15

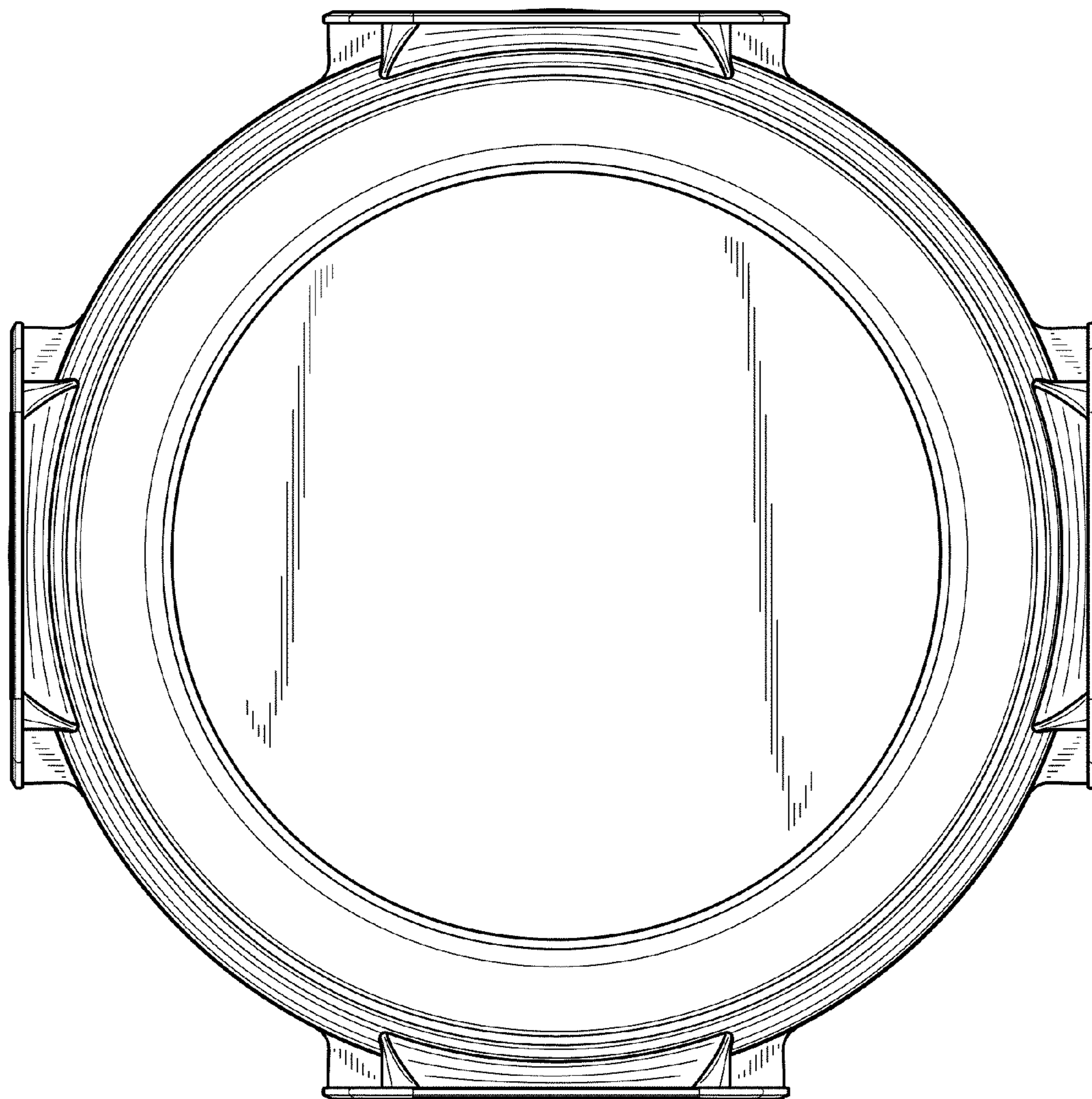


FIG. 16