



US00D647358S

(12) **United States Design Patent**
Smyers

(10) **Patent No.:** **US D647,358 S**

(45) **Date of Patent:** **** Oct. 25, 2011**

(54) **CONTAINER LID**

(75) Inventor: **Justin Smyers**, Newport Beach, CA (US)

(73) Assignee: **Snapware Corporation**, Mira Loma, CA (US)

(**) Term: **14 Years**

(21) Appl. No.: **29/384,334**

(22) Filed: **Jan. 29, 2011**

Related U.S. Application Data

(62) Division of application No. 29/358,095, filed on Mar. 22, 2010, now Pat. No. Des. 631,708.

(51) **LOC (9) Cl.** **07-02**

(52) **U.S. Cl.** **D7/391; D7/629**

(58) **Field of Classification Search** D7/318,
D7/323, 354–363, 391–396, 402, 538, 541–543,
D7/601–602, 610, 629; D9/434–435, 443;
16/110.1, 407, 430–431, 441, 443; 219/620–622,
219/725, 729–730, 734; 220/212, 365–367.1,
220/573.1–573.5, 752–758, 767–771, 832,
220/912

See application file for complete search history.

(56) **References Cited**

U.S. PATENT DOCUMENTS

5,535,910 A * 7/1996 Cassel 220/212
D472,145 S * 3/2003 Nottingham et al. D9/443

D488,031 S *	4/2004	Kim	D7/629
D493,073 S *	7/2004	Kim	D7/629
D523,296 S *	6/2006	Kim	D7/629
D524,119 S *	7/2006	Kim	D7/629
D528,357 S *	9/2006	Hsu	D7/392.1
D575,115 S *	8/2008	Zimmerman	D7/629
D606,813 S *	12/2009	Kim	D7/629
D615,821 S *	5/2010	Stamper	D7/541
D631,708 S *	2/2011	Smyers	D7/629
D633,757 S *	3/2011	Smyers	D7/629
D636,641 S *	4/2011	Smyers	D7/629

* cited by examiner

Primary Examiner — Ricky Pham

(74) *Attorney, Agent, or Firm* — Larry K. Roberts

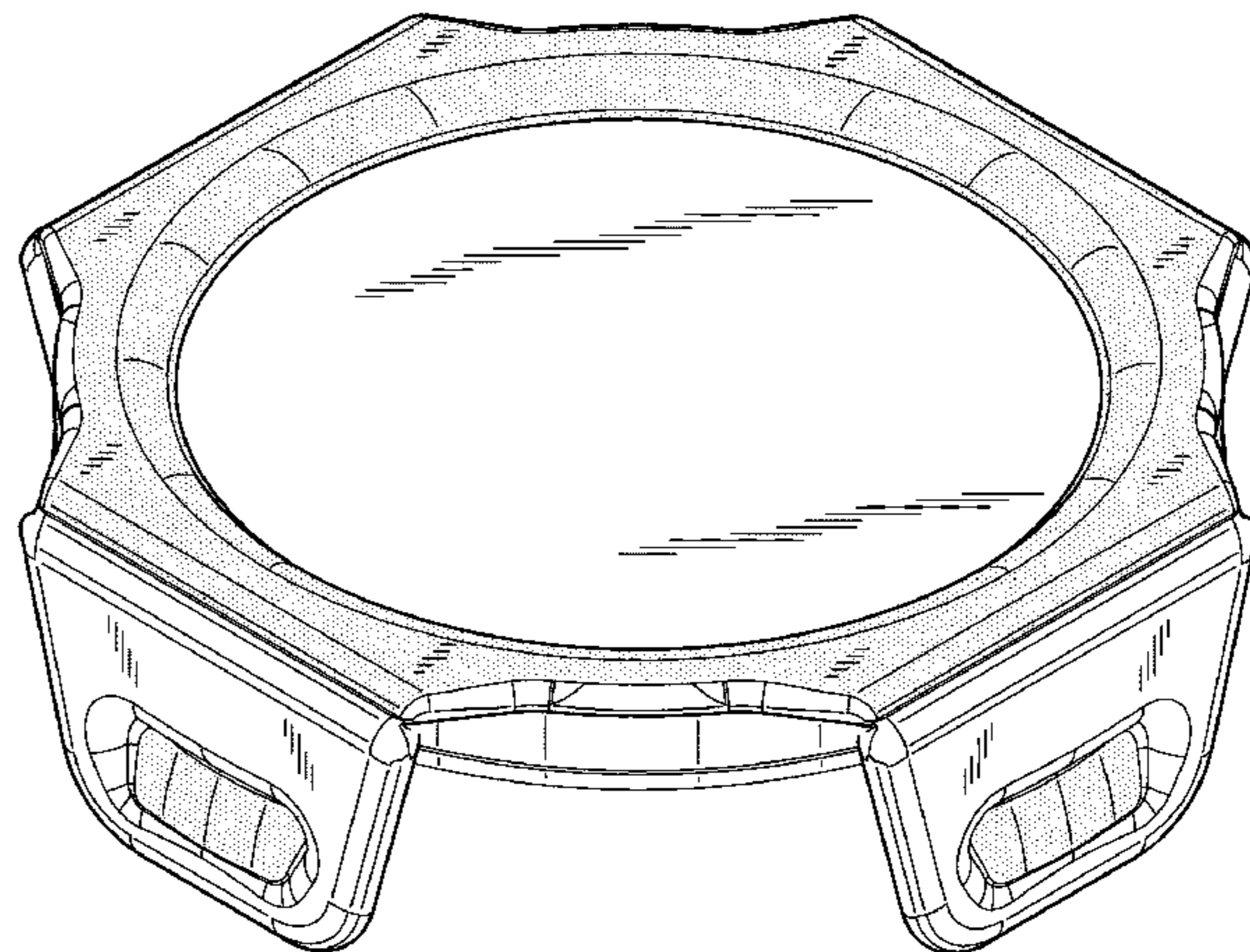
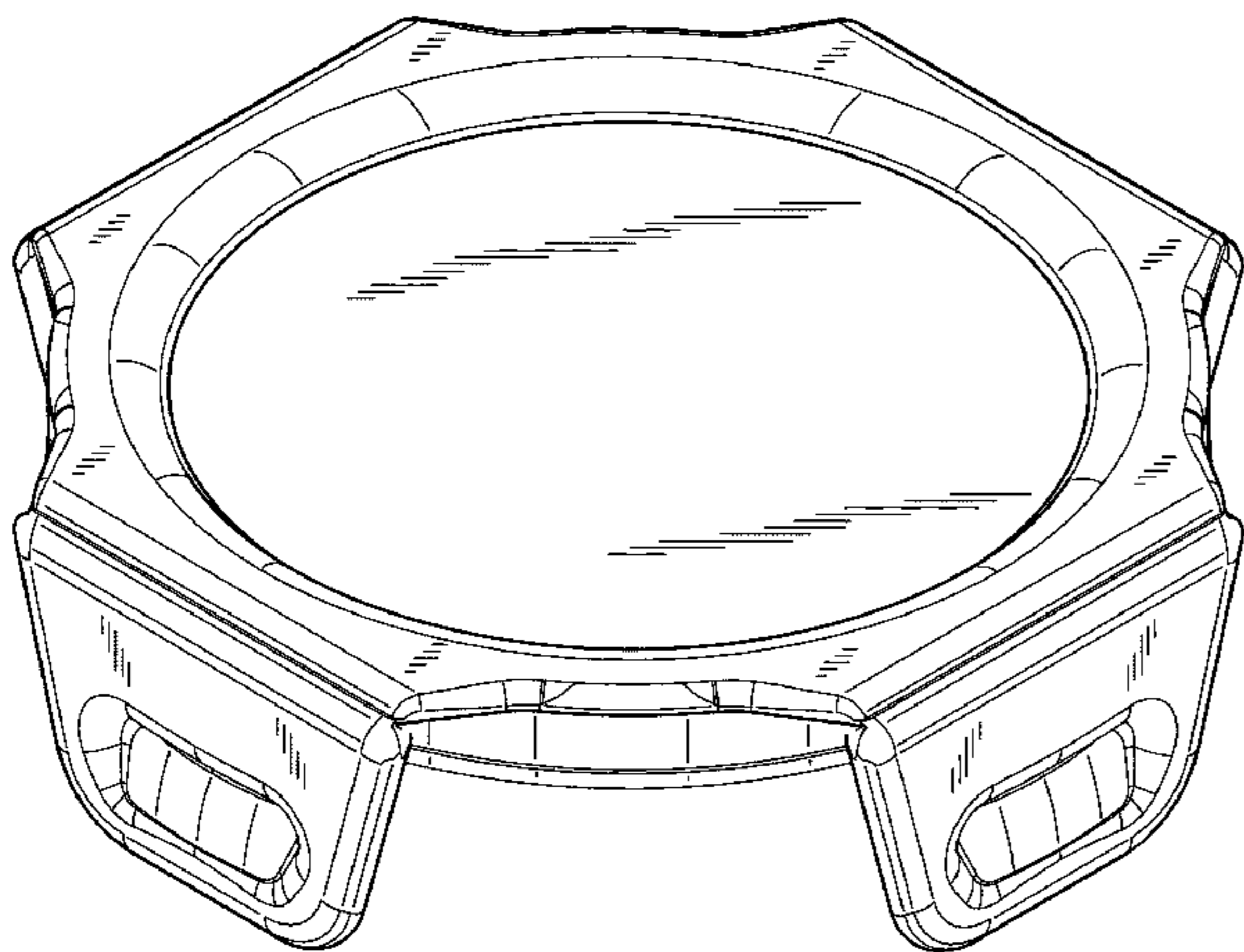
(57) **CLAIM**

The ornamental design for a container lid, as shown and described.

DESCRIPTION

FIG. 1 is an isometric view of an embodiment of the design; FIG. 2 is a top view of the embodiment of FIG. 1; FIG. 3 is a bottom view of the embodiment of FIG. 1; FIG. 4 is a front elevation view of the embodiment of FIG. 1, the left, right and back elevation views of the embodiment of FIG. 1 being identical to the front view of FIG. 4; FIG. 5 is an isometric view of another embodiment of the design; FIG. 6 is a top view of the embodiment of FIG. 5; FIG. 7 is a bottom view of the embodiment of FIG. 5; and, FIG. 8 is a front elevation view of the embodiment of FIG. 5, the left, right and back elevation views of the embodiment of FIG. 5 being identical to the front view of FIG. 8.

1 Claim, 6 Drawing Sheets



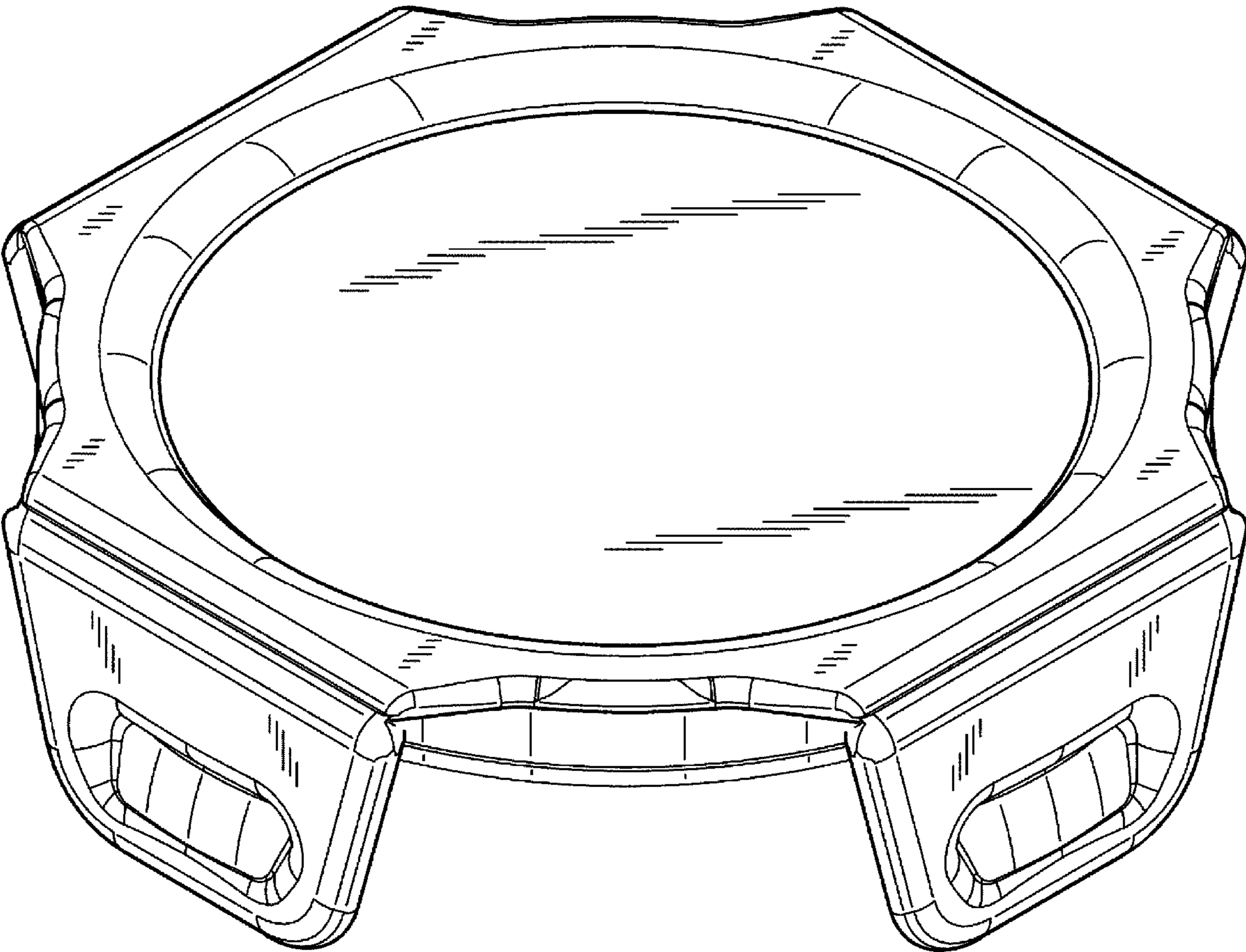


FIG. 1

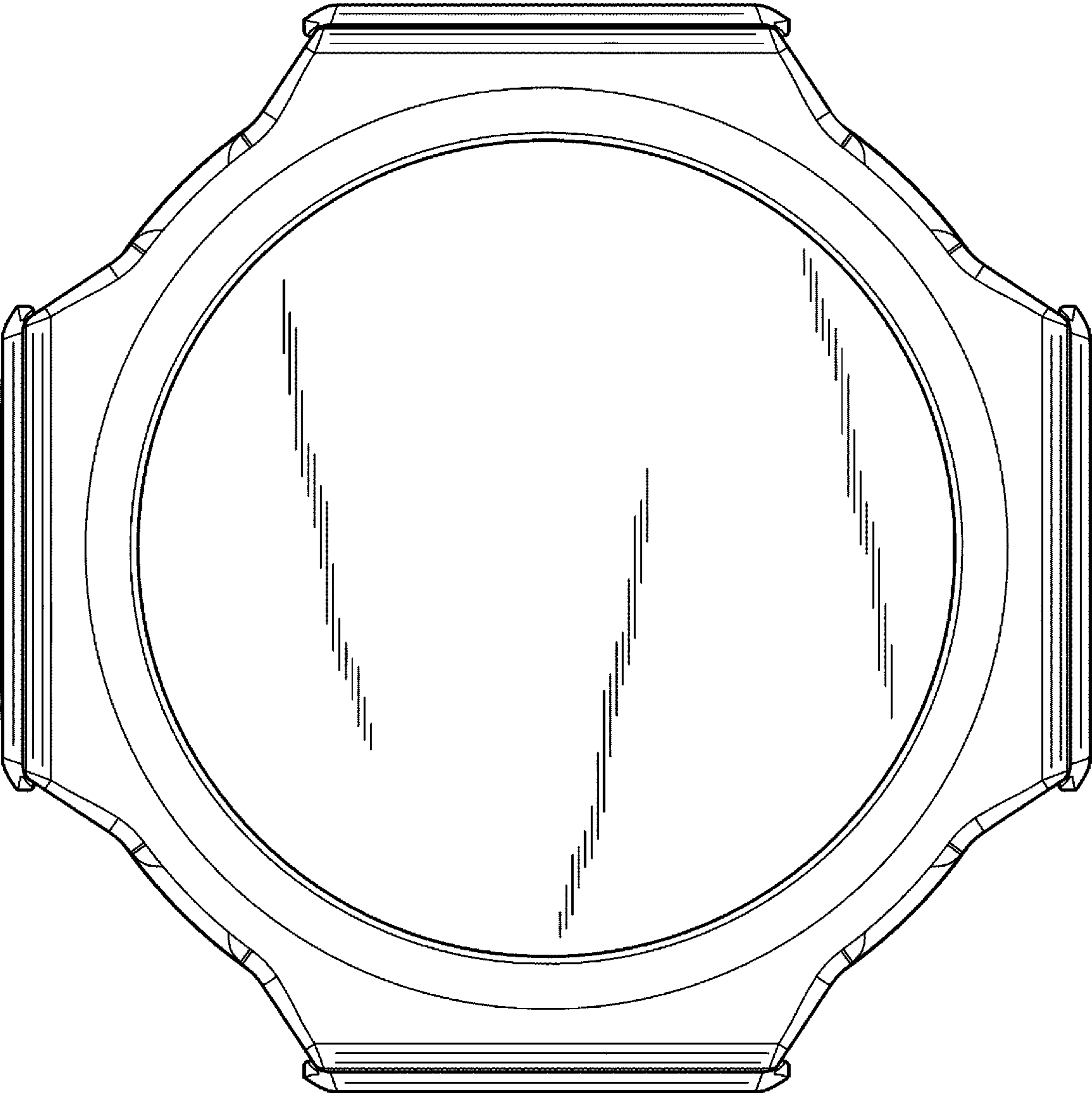
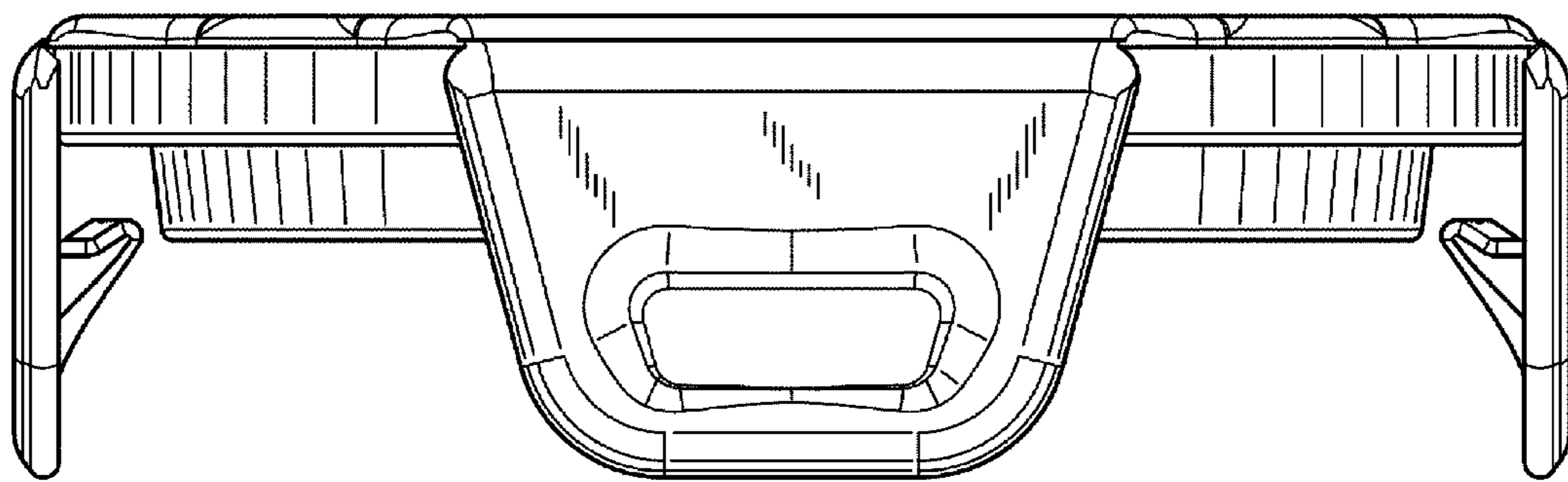
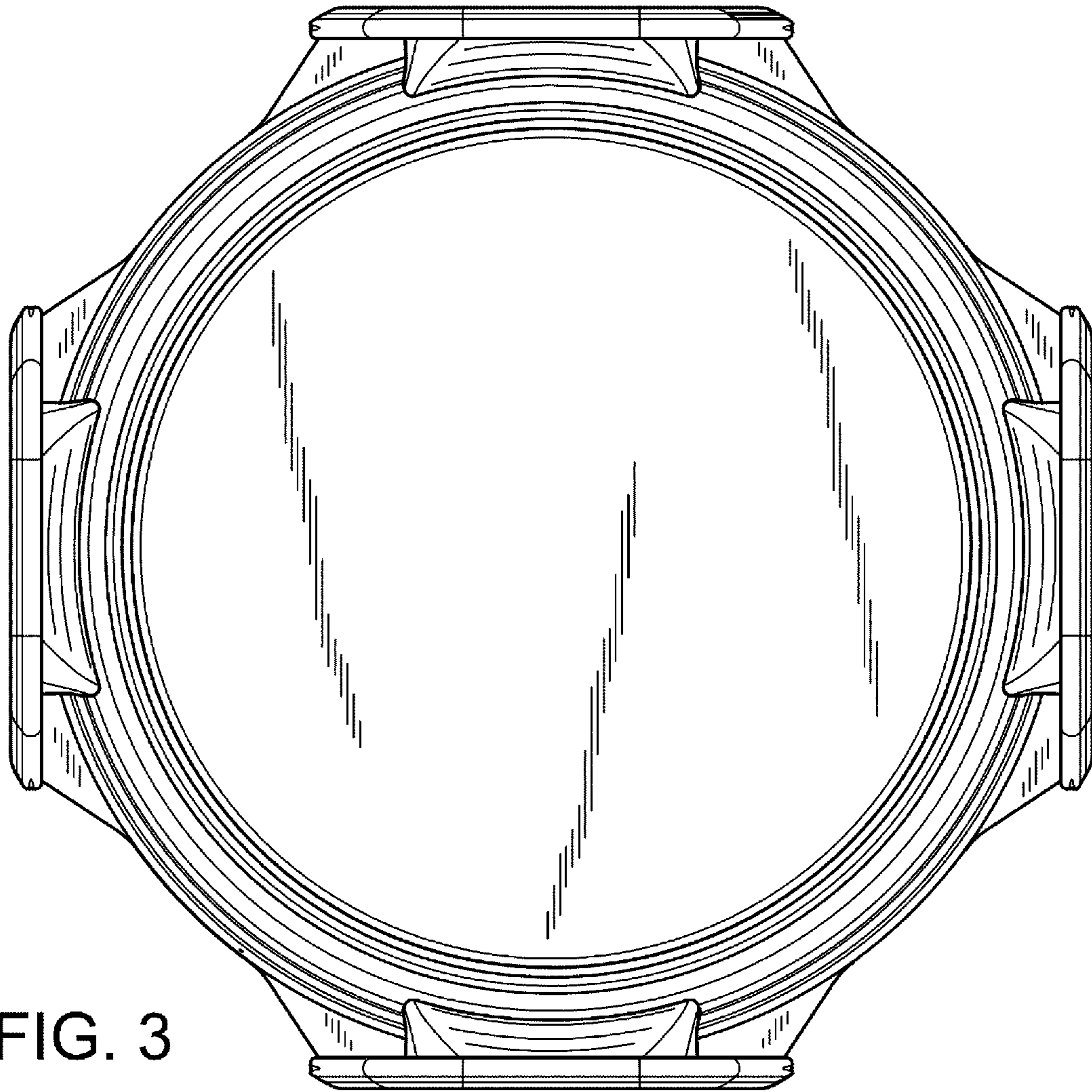


FIG. 2



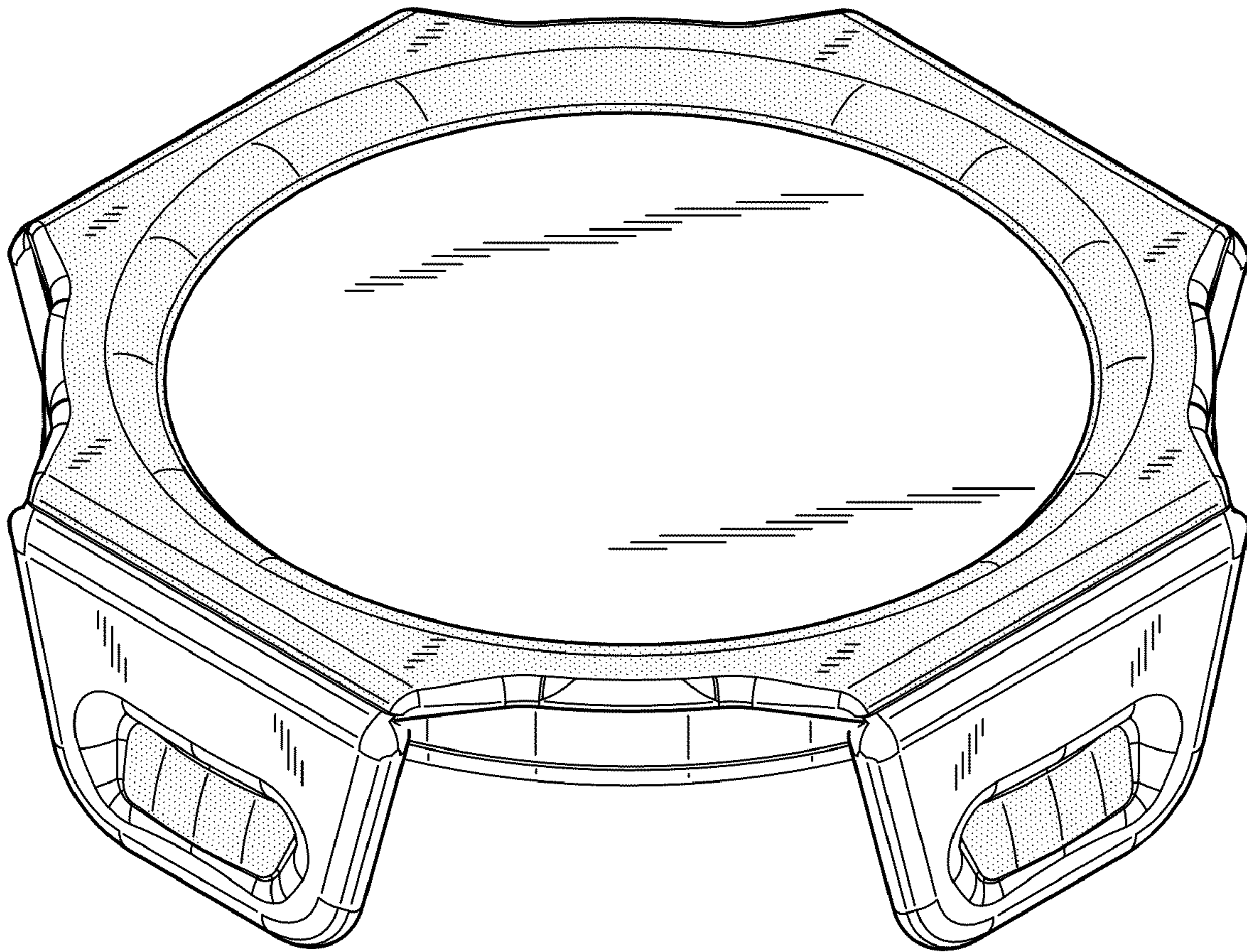


FIG. 5

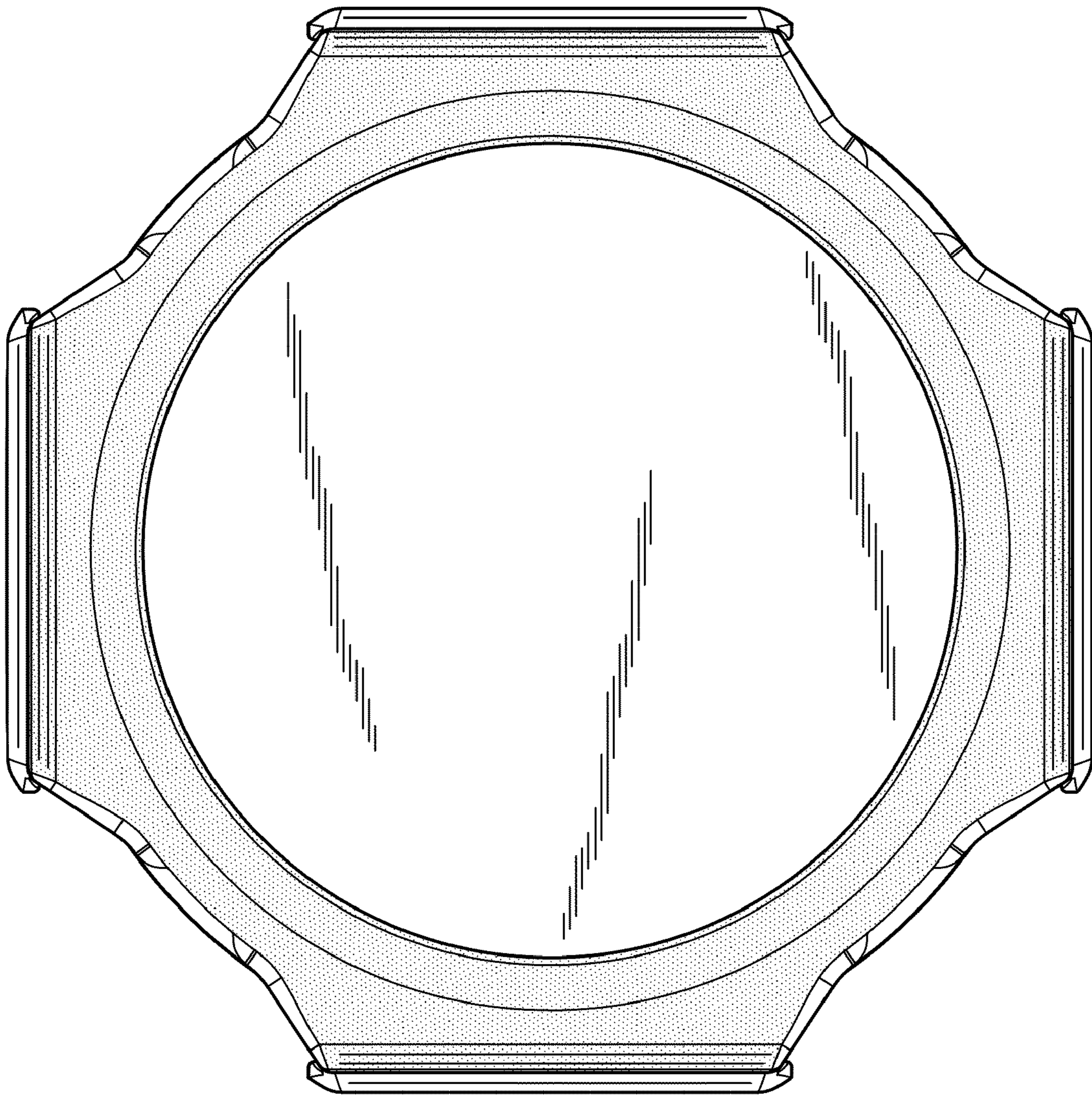


FIG. 6

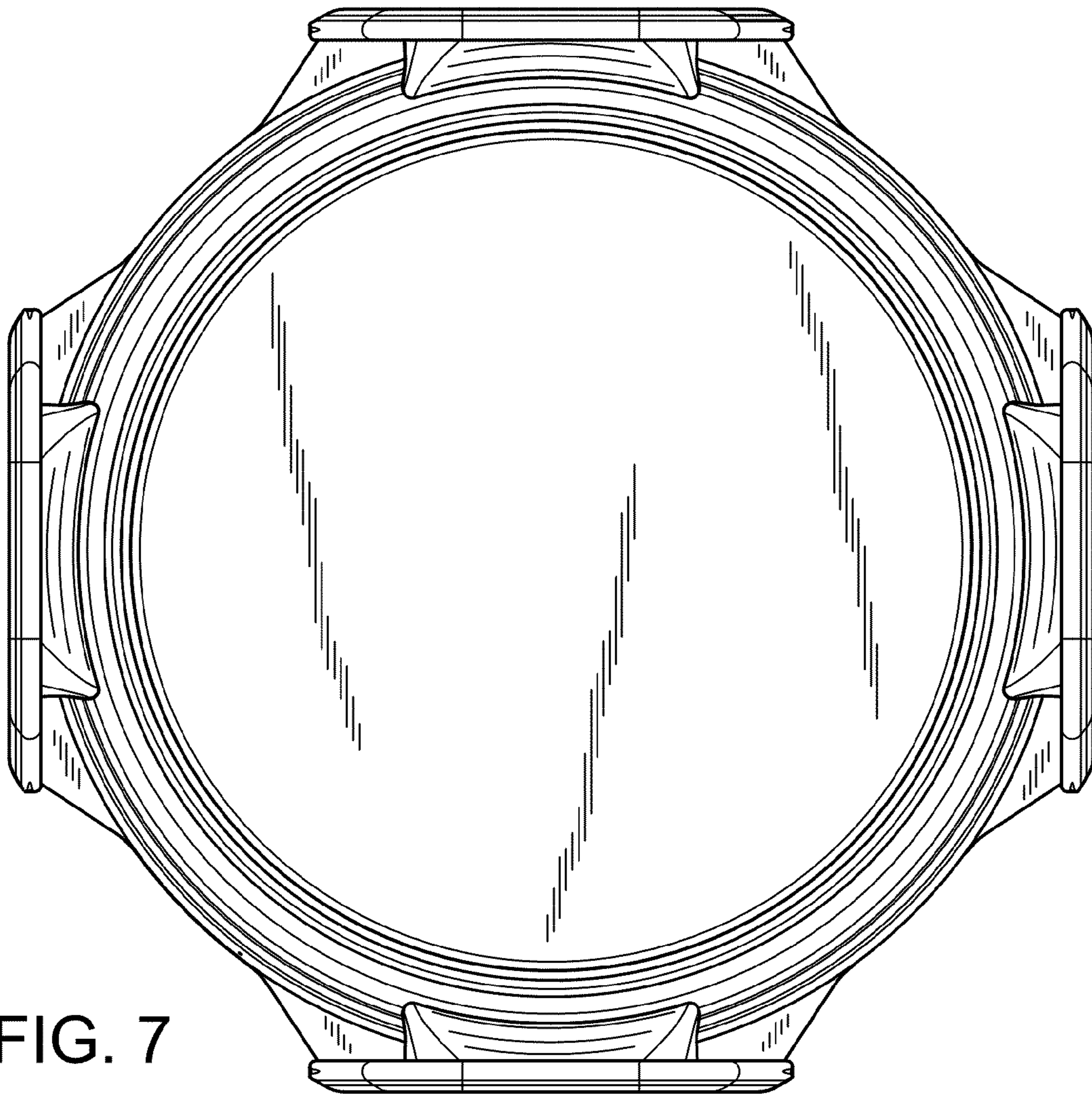


FIG. 7

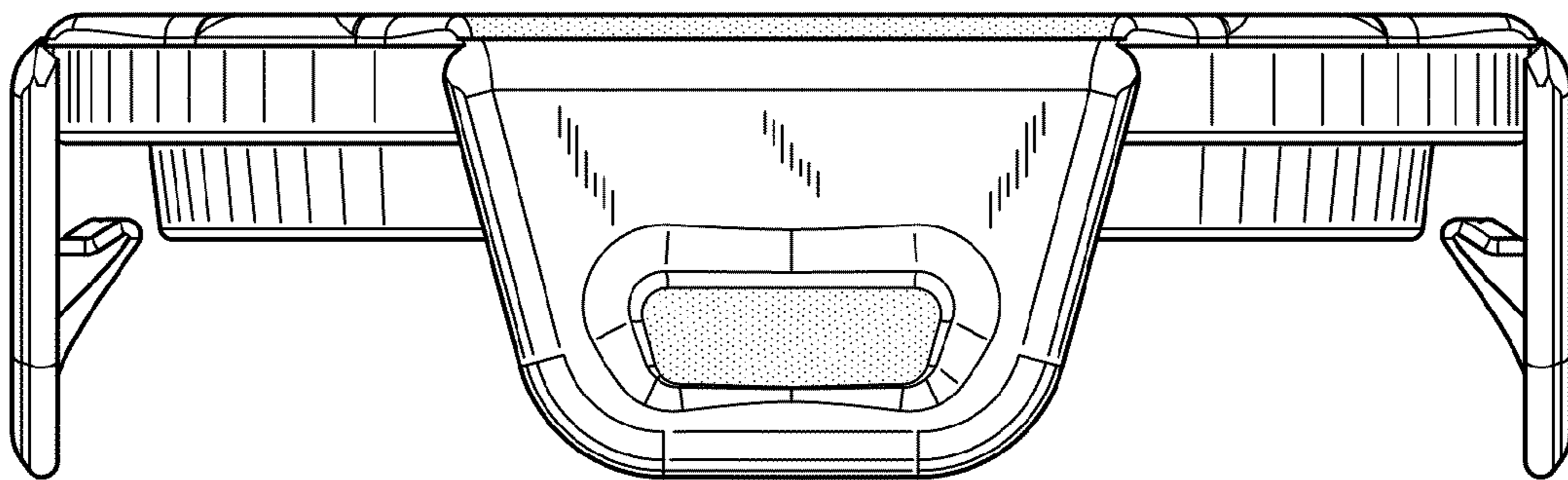


FIG. 8