



US00D647357S

(12) **United States Design Patent**
Audette et al.

(10) **Patent No.:** **US D647,357 S**
(45) **Date of Patent:** **** Oct. 25, 2011**

(54) **BLENDER BASE**

(75) Inventors: **David M. Audette**, Webster, MA (US);
Alexander J. Calvino, Cranston, RI
(US); **Waiman Chung**, Kowloon (HK);
Aric Jennings, Boston, MA (US);
Daniel Stephen Potter, Dracut, MA
(US); **Andrea Stavrinou**, Brighton, MA
(US)

(73) Assignee: **Euro-Pro Operating LLC**, Newton,
MA (US)

(**) Term: **14 Years**

(21) Appl. No.: **29/386,893**

(22) Filed: **Mar. 5, 2011**

(51) **LOC (9) Cl.** **31-00**

(52) **U.S. Cl.** **D7/386; D7/376; D7/378**

(58) **Field of Classification Search** D7/305-311,
D7/317-318, 368, 372, 376-386, 391, 412-415,
D7/607, 665; 99/326, 348, 508-511; 241/30-37.5,
241/101.01-101.2, 166-169.1, 282.2, 285.1-285.3,
241/291, 292.1; 366/64-67, 98, 142, 197-211,
366/241-254, 279-292, 341-347; 416/75-76,
416/70 R, 163

See application file for complete search history.

(56) **References Cited**

U.S. PATENT DOCUMENTS

D173,534 S 11/1954 Morgan
D200,285 S * 2/1965 Madl D7/386
D204,224 S * 3/1966 Gantz D7/386
D209,652 S 12/1967 Weiss

D215,782 S * 10/1969 Steinkamp D7/386
D217,522 S * 5/1970 Madl D7/386
D225,787 S 1/1973 Levin
3,881,705 A * 5/1975 Greenspan 241/282.2
D255,758 S 7/1980 Steinkamp et al.
D256,087 S * 7/1980 Minami D7/384
D259,387 S 6/1981 Levin
D277,634 S * 2/1985 Doggett D7/386
D290,217 S 6/1987 Levin
D336,590 S * 6/1993 Barnard D7/378
D337,240 S 7/1993 Levin
D339,715 S * 9/1993 Barrault D7/378
D369,512 S * 5/1996 Brady D7/386
D538,595 S 3/2007 White et al.
D595,084 S 6/2009 Metaxatos et al.
D605,462 S * 12/2009 Picozza et al. D7/386

* cited by examiner

Primary Examiner — Ricky Pham

(74) *Attorney, Agent, or Firm* — Wolf, Greenfield & Sacks,
P.C.

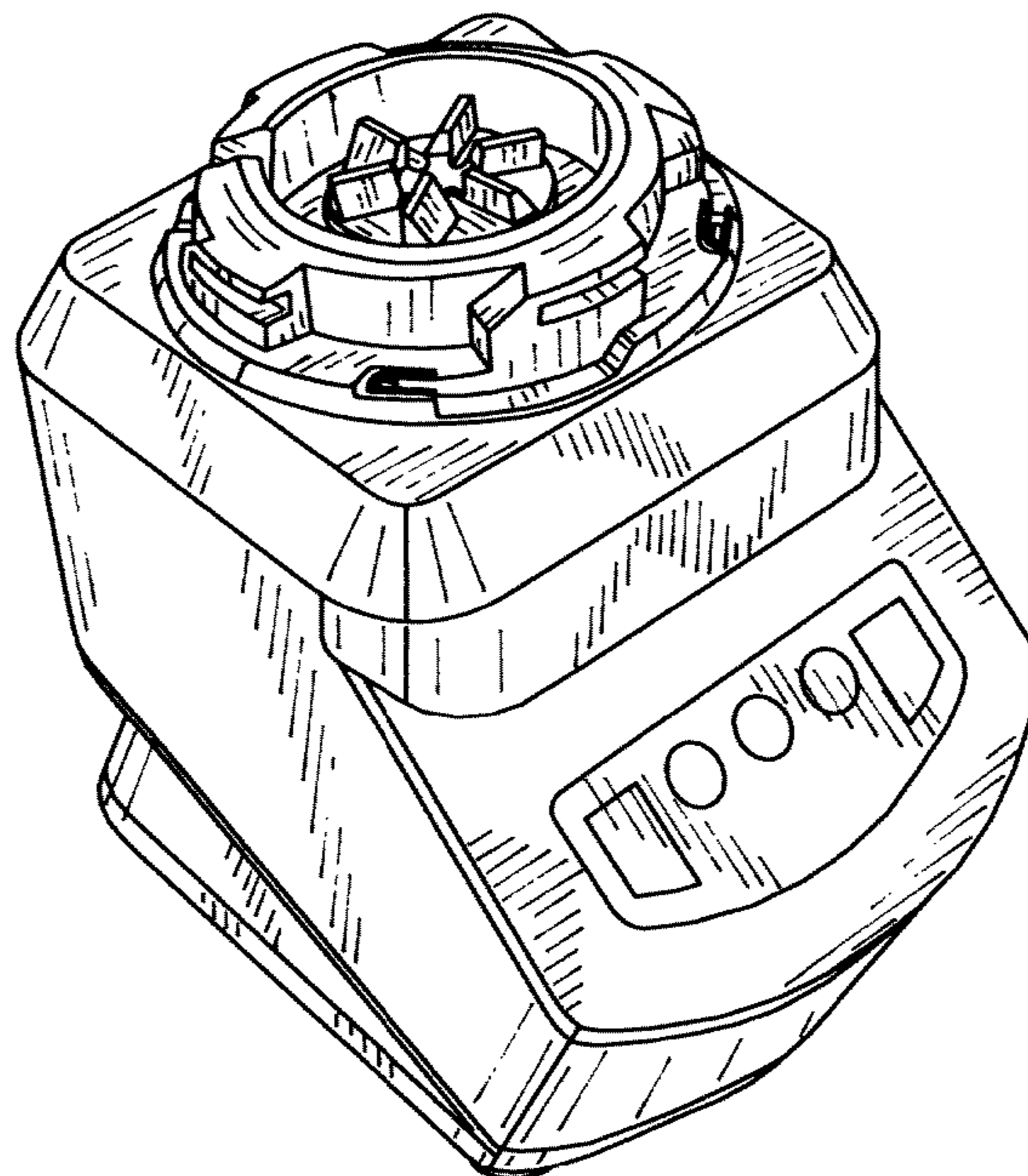
(57) **CLAIM**

The ornamental design of a blender base, substantially as
shown and described.

DESCRIPTION

FIG. 1 is a perspective view of a blender base in accordance
with the present design;
FIG. 2 is a front view thereof;
FIG. 3 is a rear view thereof;
FIG. 4 is a left side view thereof;
FIG. 5 is a right side view thereof;
FIG. 6 is a top plan view thereof; and,
FIG. 7 is a bottom plan view thereof.

1 Claim, 2 Drawing Sheets



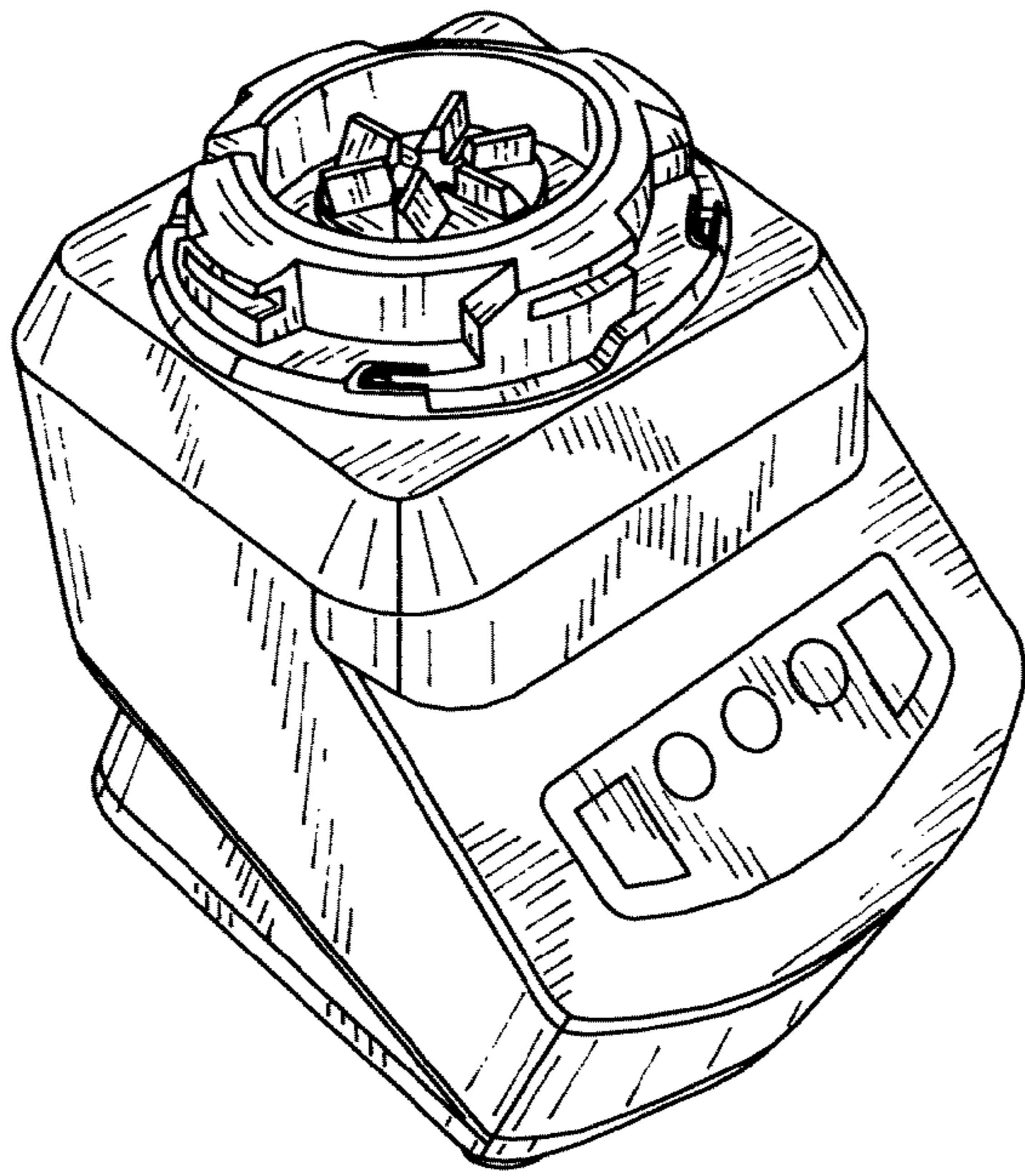


FIG. 1

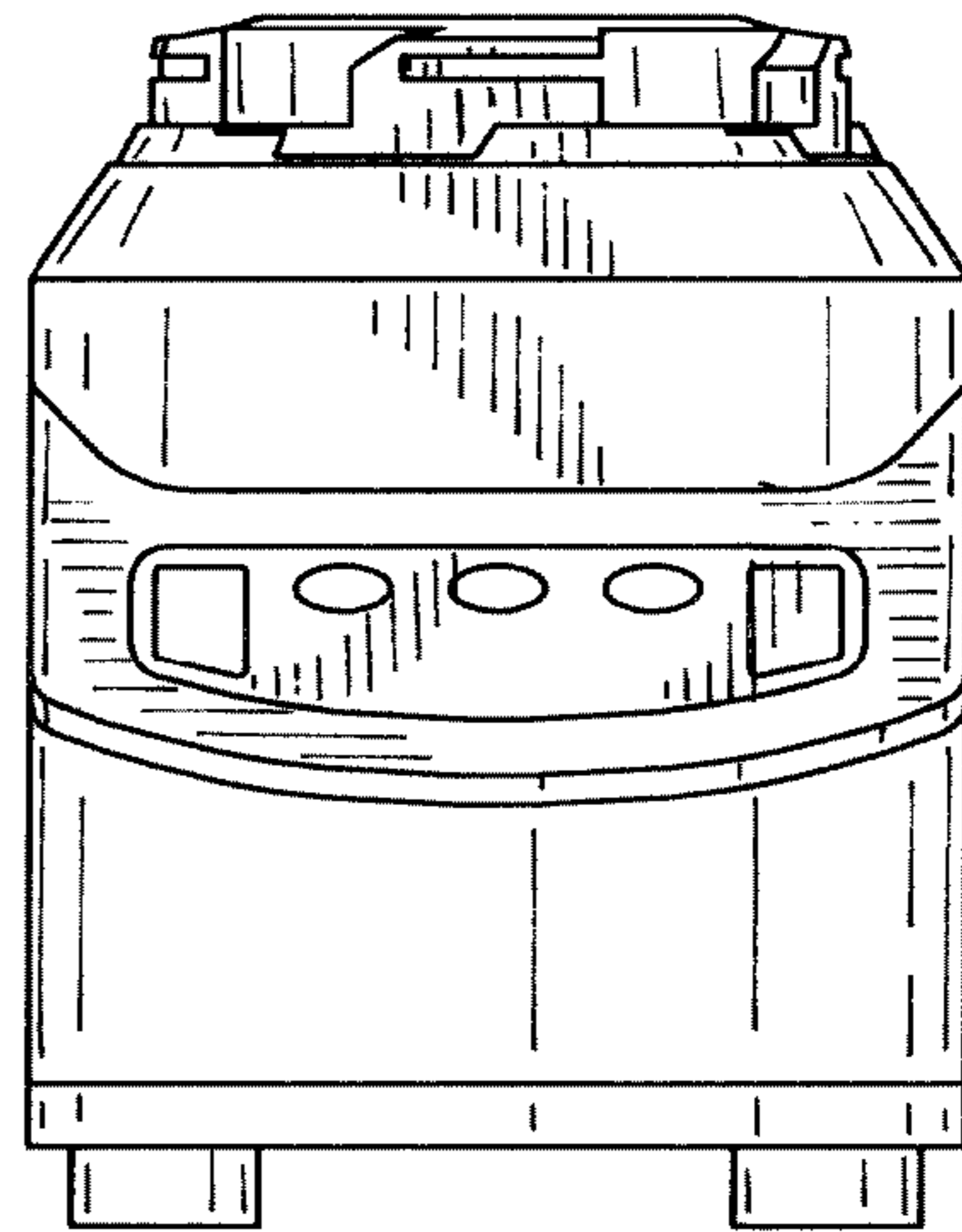


FIG. 2

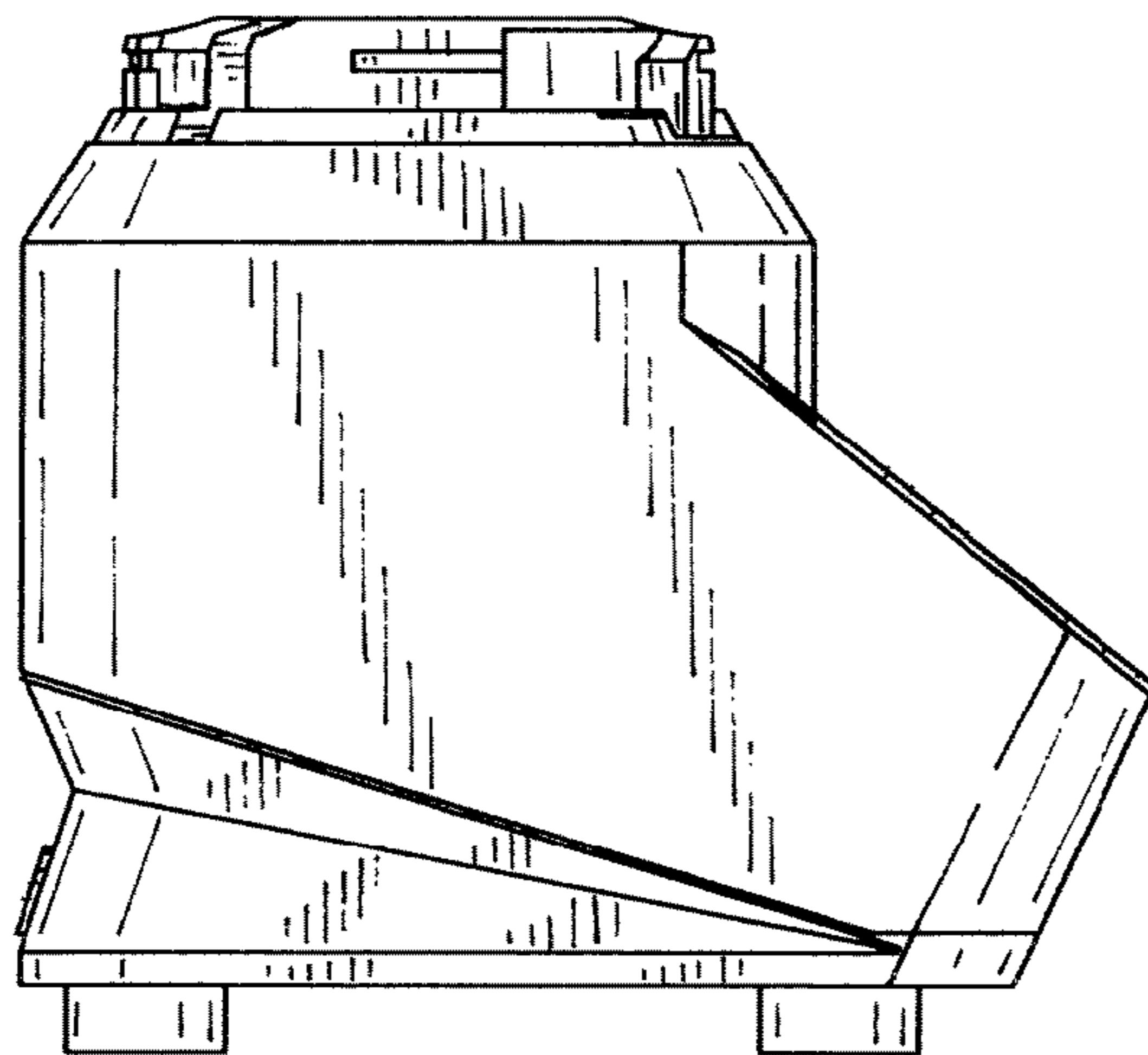


FIG. 4

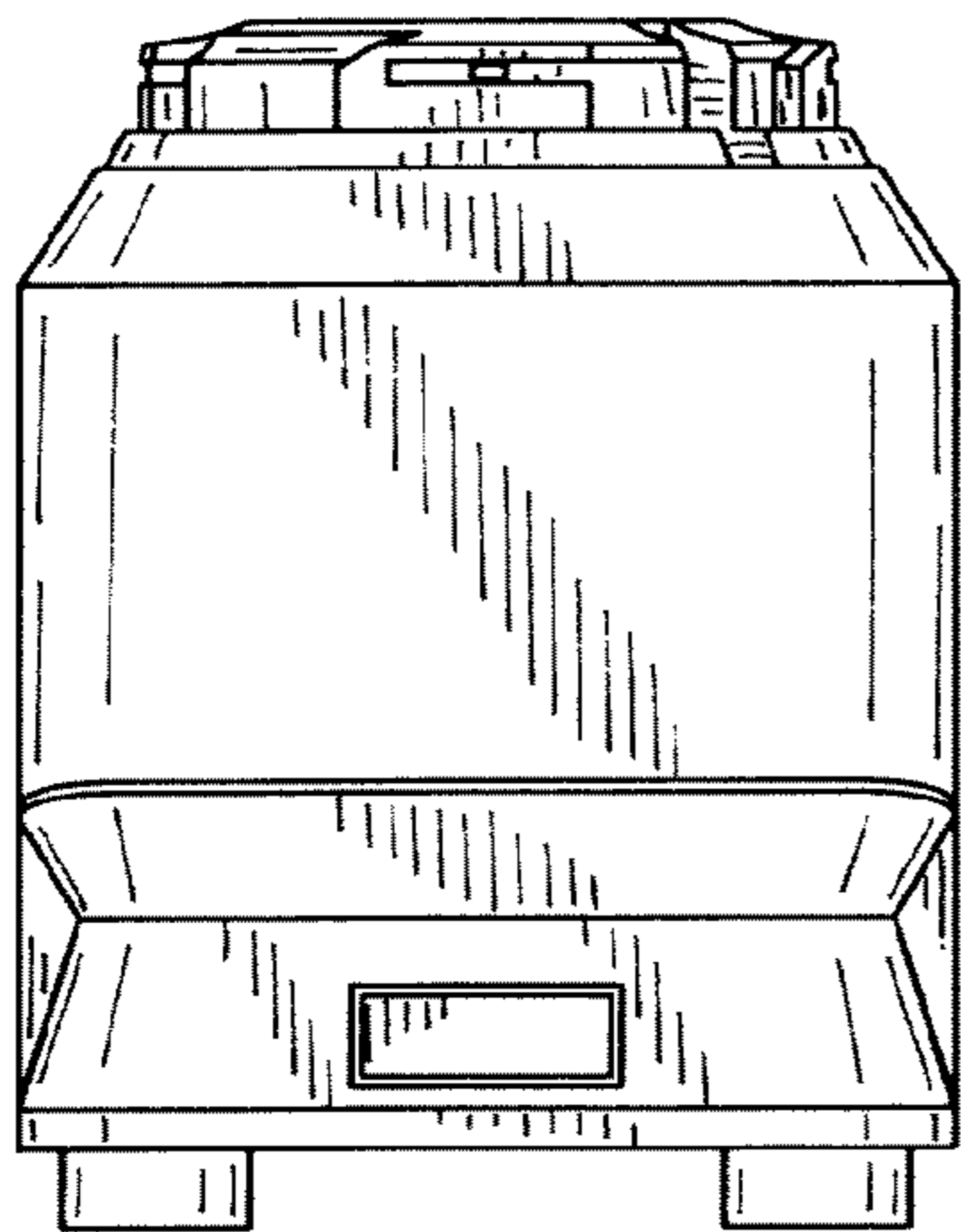


FIG. 3

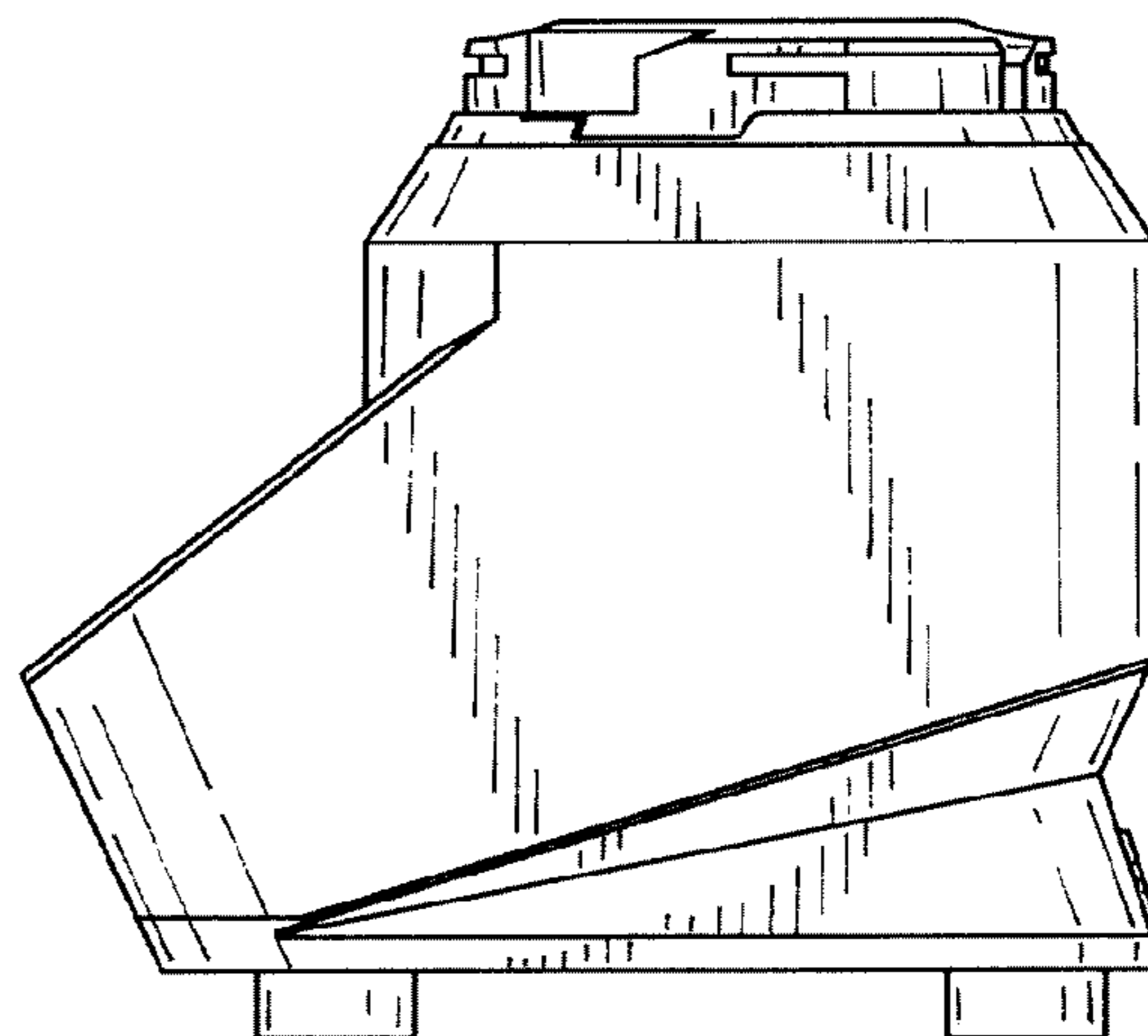


FIG. 5

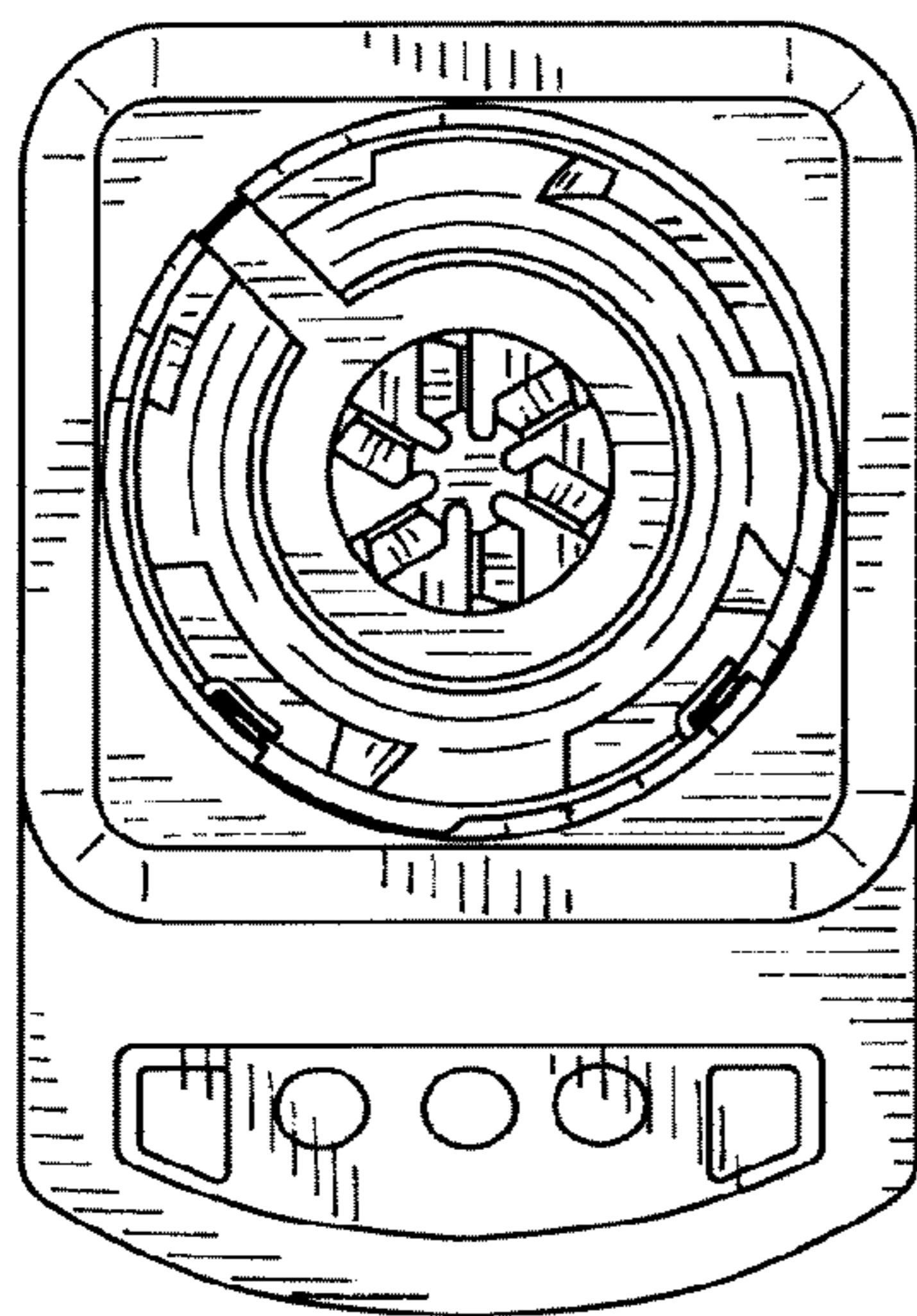


FIG. 6

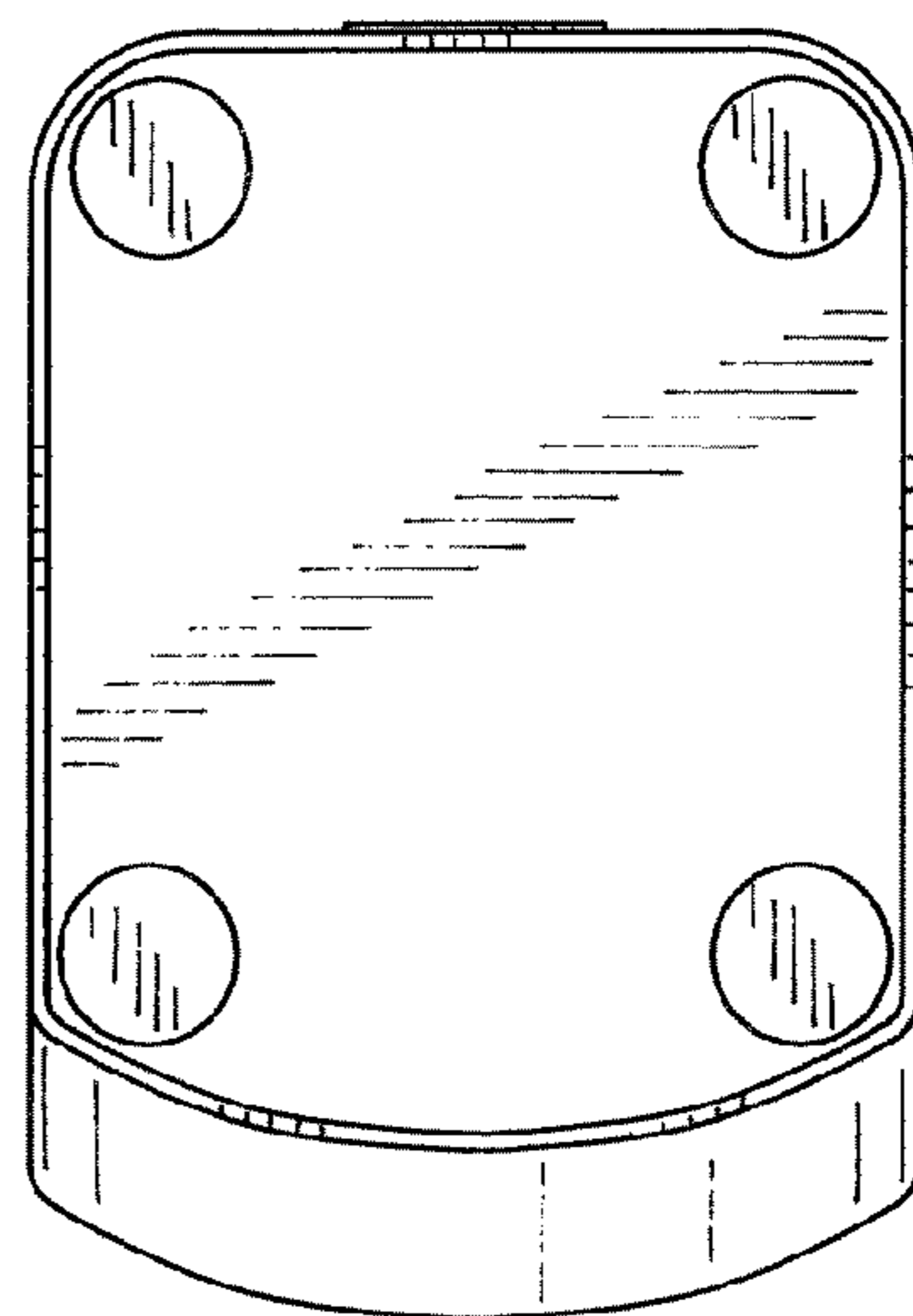


FIG. 7