

US00D647355S

(12) **United States Design Patent**  
**Ponzio et al.**

(10) **Patent No.:** **US D647,355 S**

(45) **Date of Patent:** **\*\* Oct. 25, 2011**

(54) **BEVERAGE DISPENSER**

(75) Inventors: **Claudio Ponzio**, Turin (IT); **Ion Setran**,  
Turin (IT); **Paul Bosveld**, Austin, TX  
(US); **Vince Voron**, Duluth, GA (US);  
**Jae Cha**, Woodstock, GA (US)

(73) Assignee: **The Coca-Cola Company**, Atlanta, GA  
(US)

(\*\*) Term: **14 Years**

(21) Appl. No.: **29/360,484**

(22) Filed: **Apr. 27, 2010**

**Related U.S. Application Data**

(63) Continuation-in-part of application No. 29/318,284,  
filed on May 16, 2008.

(51) **LOC (9) Cl.** ..... **07-04**

(52) **U.S. Cl.** ..... **D7/307**

(58) **Field of Classification Search** ..... D15/79-91;  
D7/300, 303-311; 222/129.1-129.4, 146.5,  
222/144.5; 62/338, 344  
See application file for complete search history.

(56) **References Cited**

**U.S. PATENT DOCUMENTS**

D256,923 S \* 9/1980 Mullins, Jr. .... D15/80  
D444,986 S \* 7/2001 Smith et al. .... D7/311  
6,419,120 B1 \* 7/2002 Bertone ..... 222/129.4  
6,550,648 B2 \* 4/2003 Bardin ..... 222/129.3  
D540,830 S \* 4/2007 Gunshi ..... D15/80

D569,879 S \* 5/2008 Rousselin ..... D15/81  
D598,232 S \* 8/2009 Adachi ..... D7/308  
7,810,676 B2 \* 10/2010 Romanyszyn et al. .... 222/129.1  
D626,776 S \* 11/2010 Voron et al. .... D7/307  
D627,187 S \* 11/2010 Voron et al. .... D7/307  
2003/0019236 A1 \* 1/2003 Heims et al. .... 62/338

**OTHER PUBLICATIONS**

Photo of a beverage dispenser from Willy's Restaurant in Atlanta, GA  
dated Nov. 2008.

\* cited by examiner

*Primary Examiner* — Mitchell Siegel

(74) *Attorney, Agent, or Firm* — Sutherland Asbill &  
Brennan, LLP

(57) **CLAIM**

The ornamental design for a beverage dispenser, as shown  
and described.

**DESCRIPTION**

FIG. 1 is a perspective view of a beverage dispenser showing  
our new design;

FIG. 2 is a front view thereof;

FIG. 3 is a right side view thereof;

FIG. 4 is a left side view thereof;

FIG. 5 is top plan view thereof;

FIG. 6 is a perspective view of a second embodiment of a  
beverage dispenser showing our new design;

FIG. 7 is a front view of FIG. 6;

FIG. 8 is a right side view of FIG. 6;

FIG. 9 is a left side view of FIG. 6; and,

FIG. 10 is top plan view of FIG. 6.

**1 Claim, 10 Drawing Sheets**

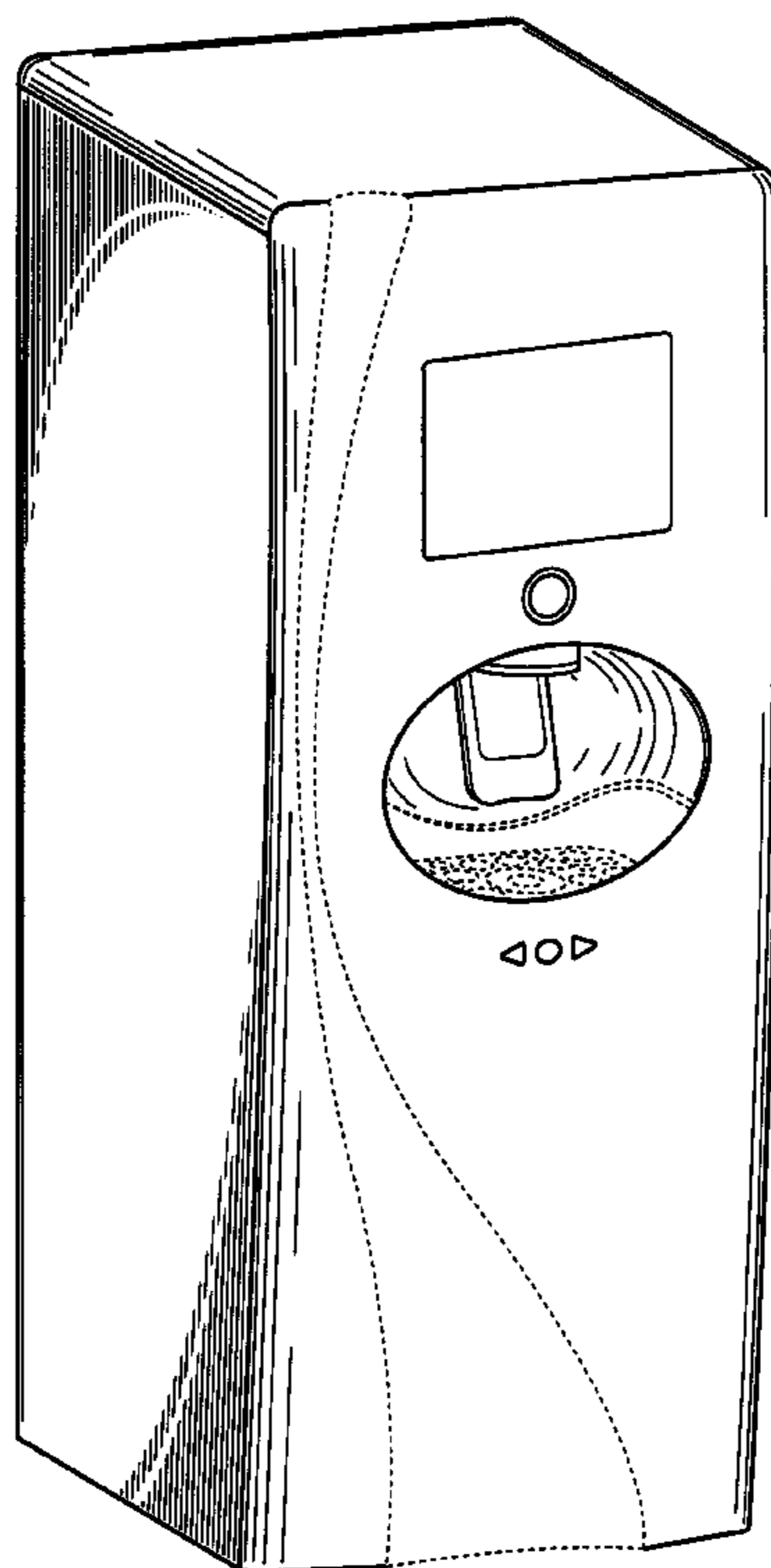
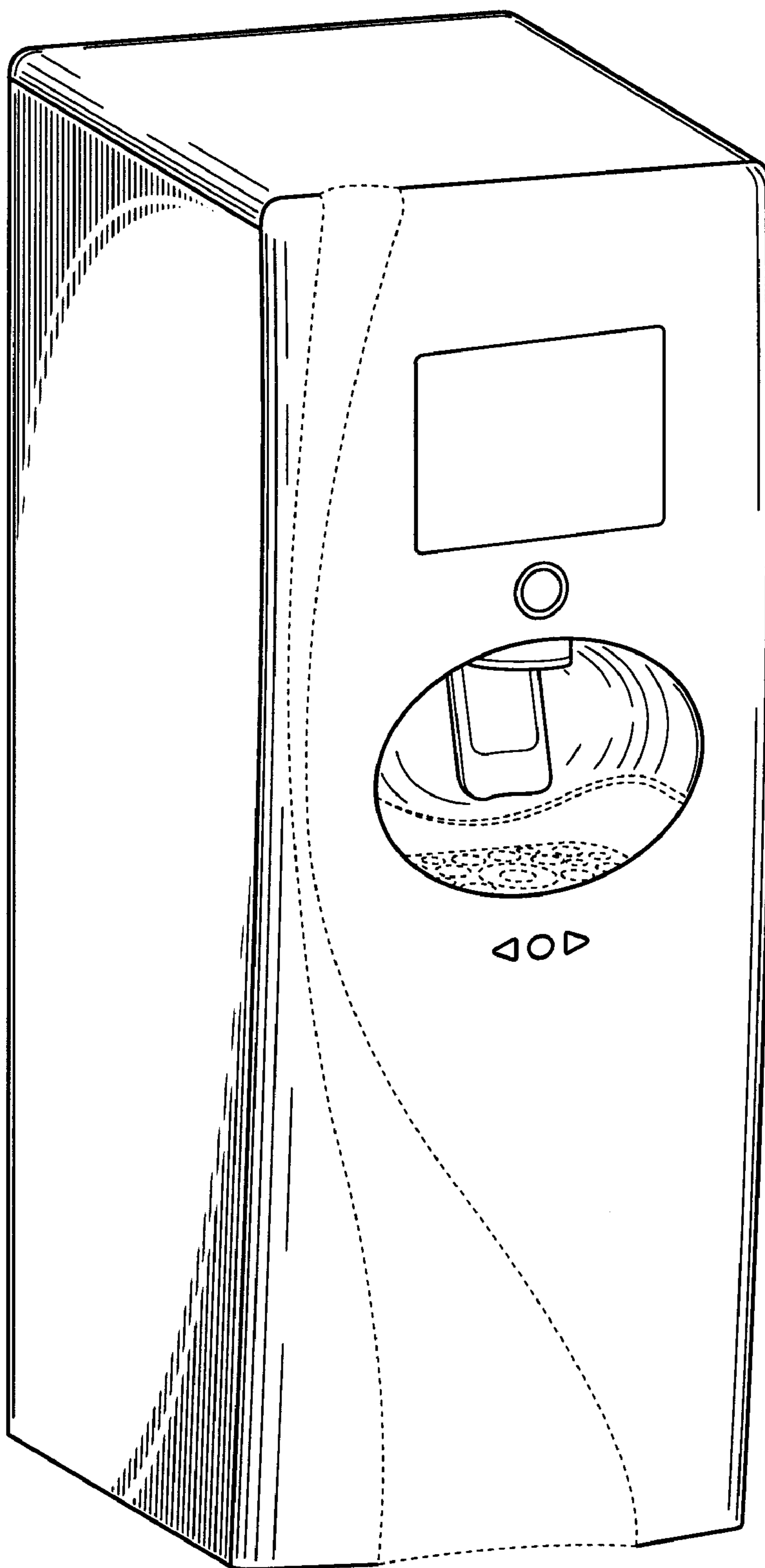


FIG. 1



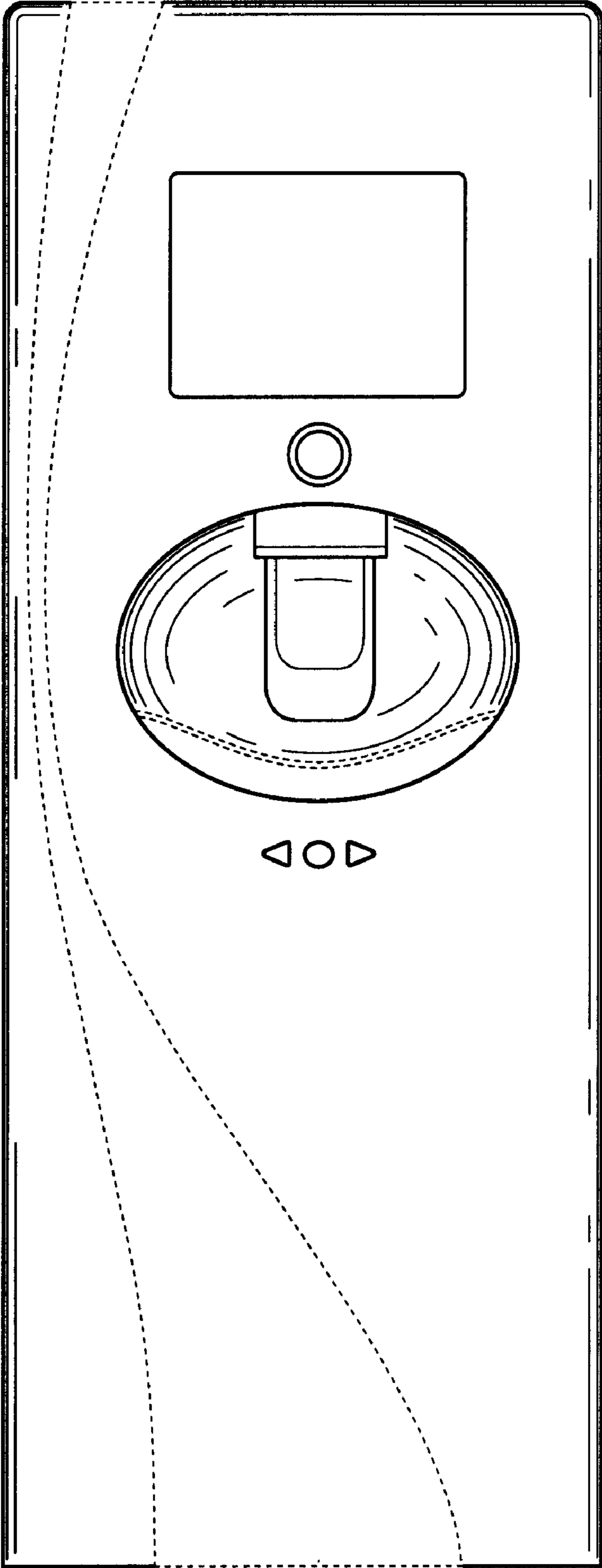


FIG. 2

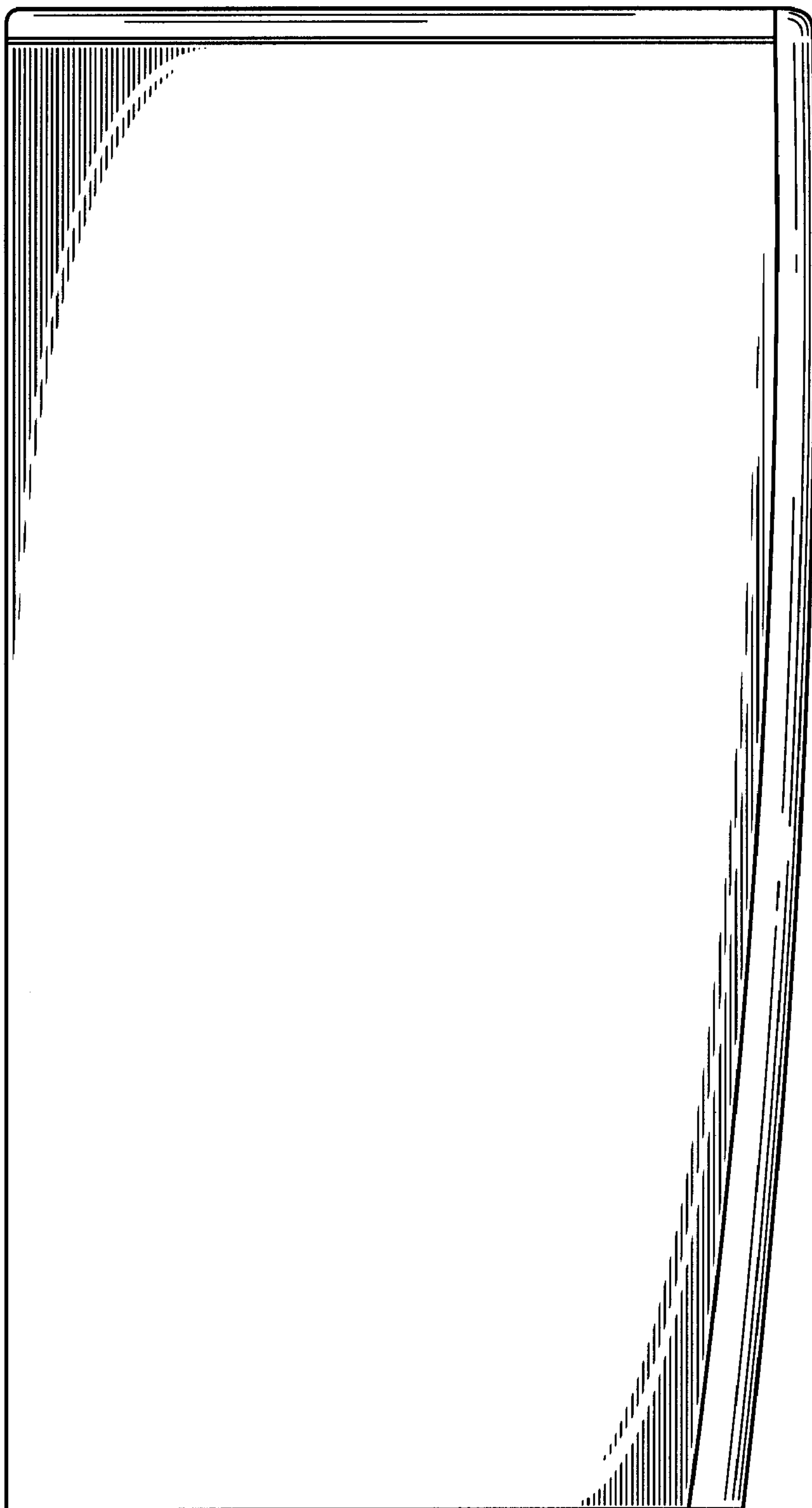


FIG. 3



FIG. 4

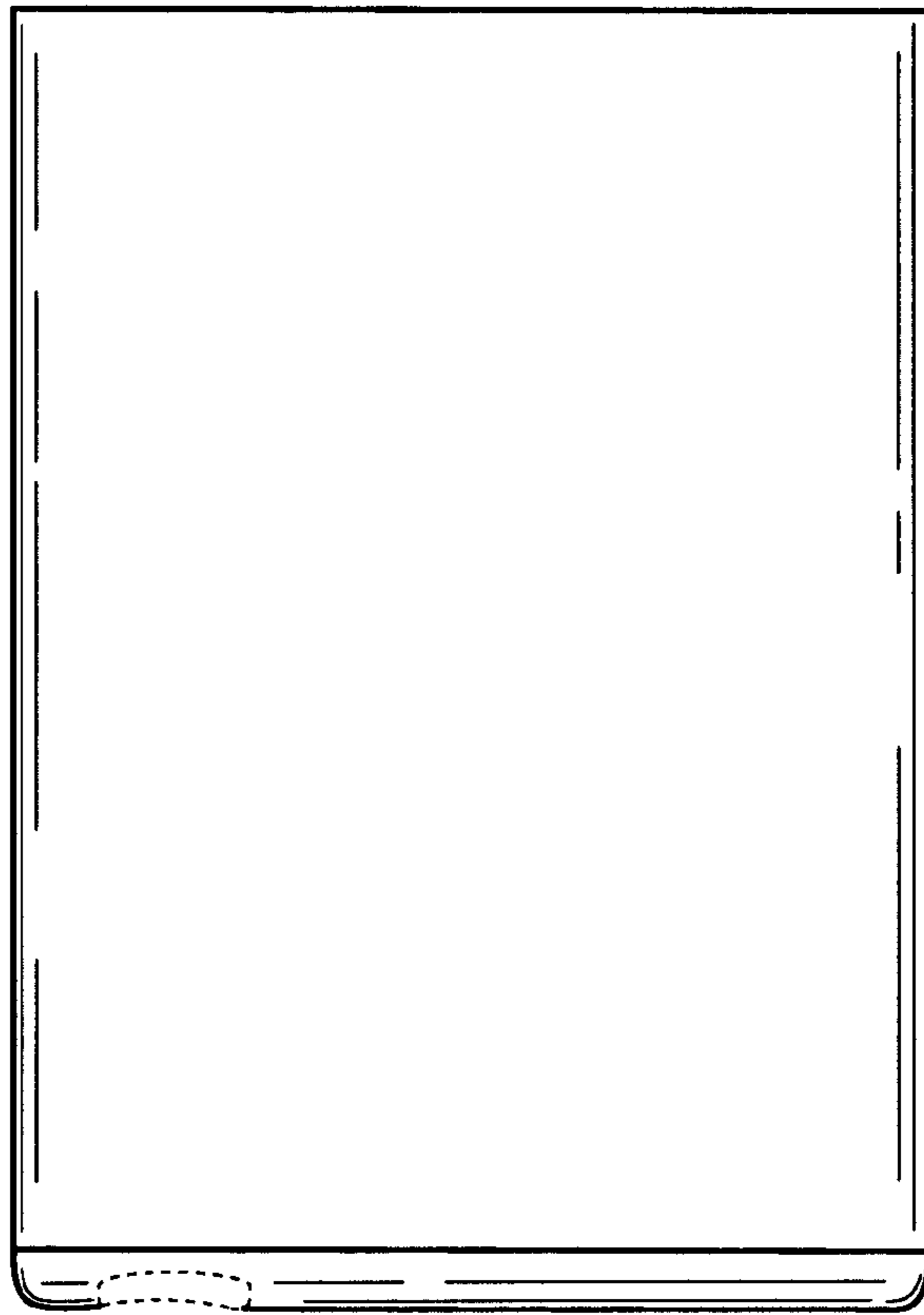
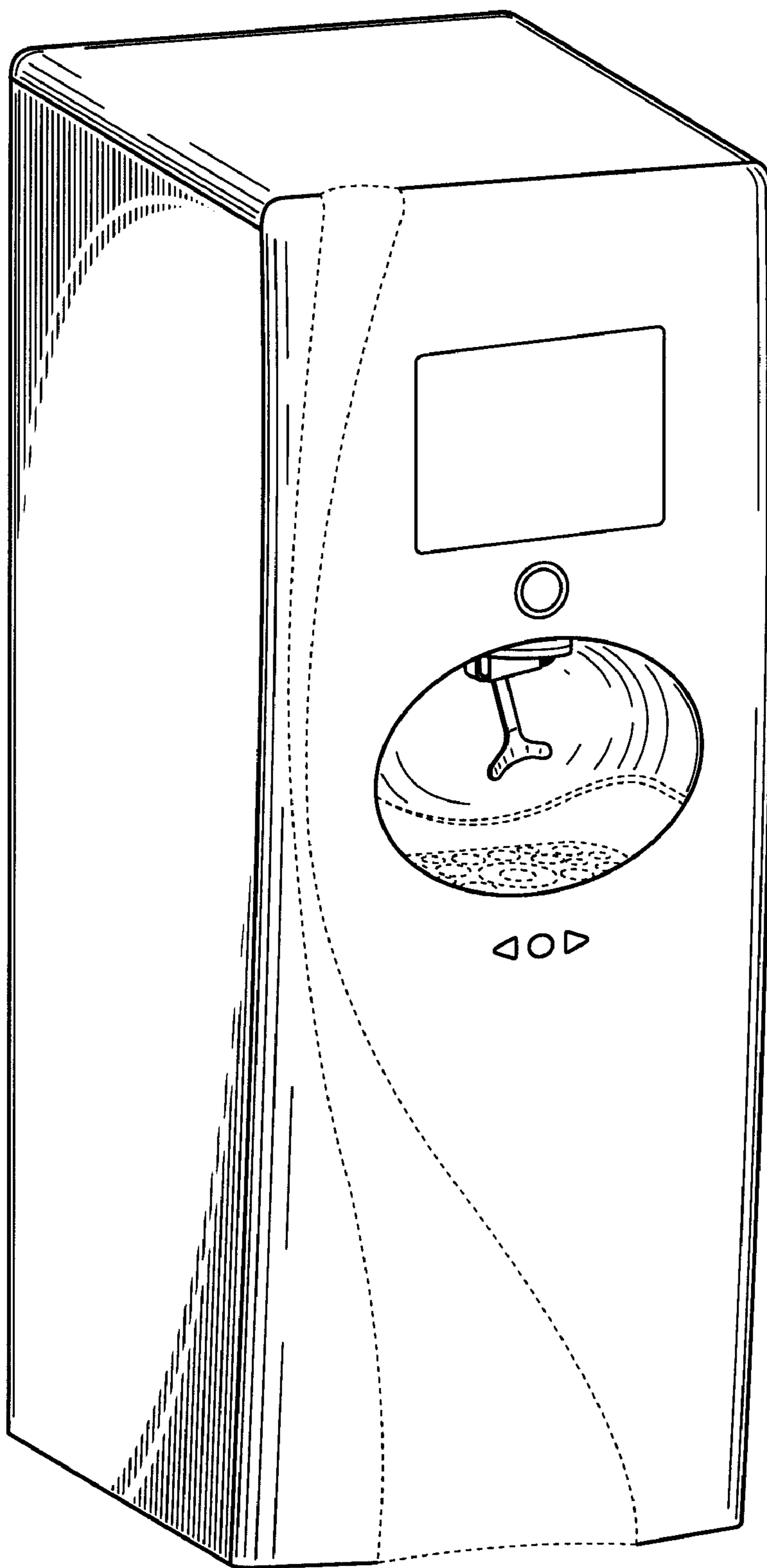


FIG. 5

FIG. 6



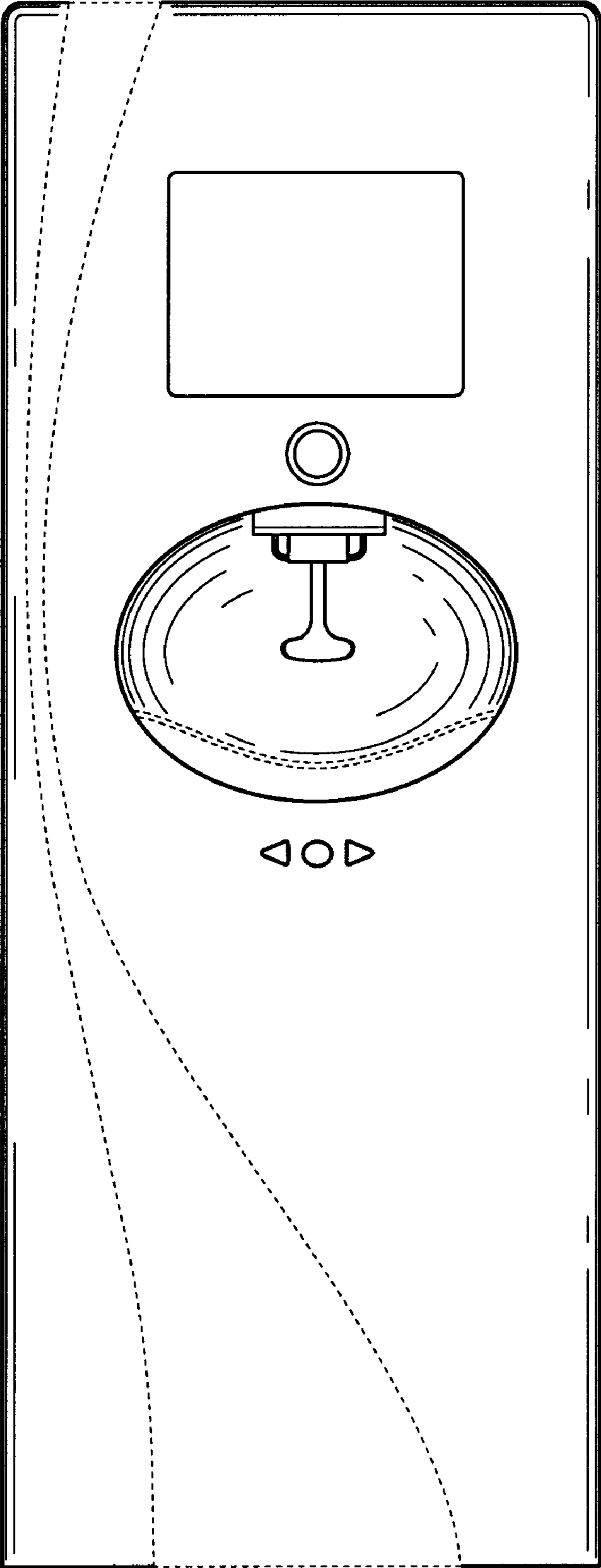


FIG. 7



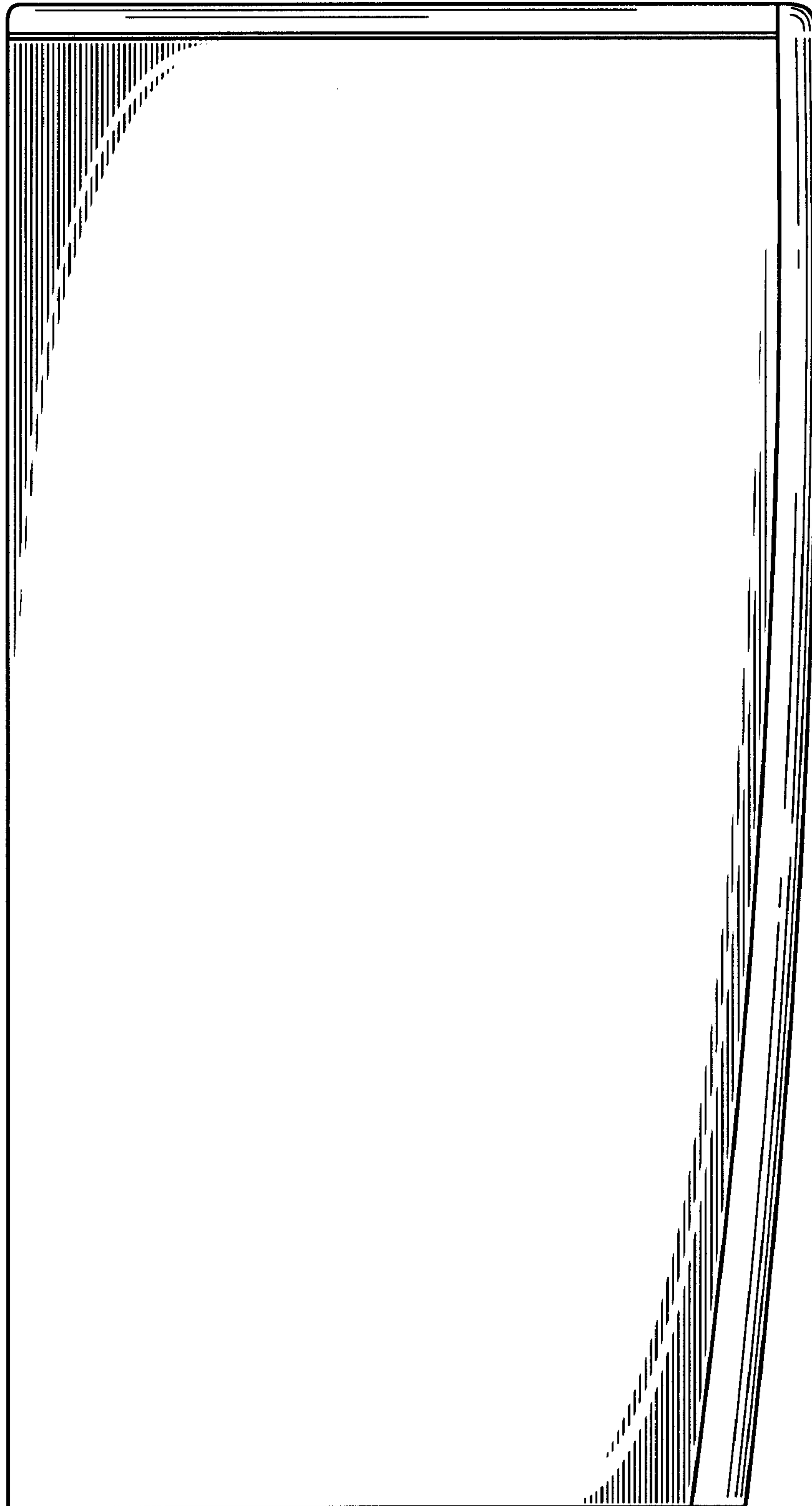


FIG. 8



FIG. 9

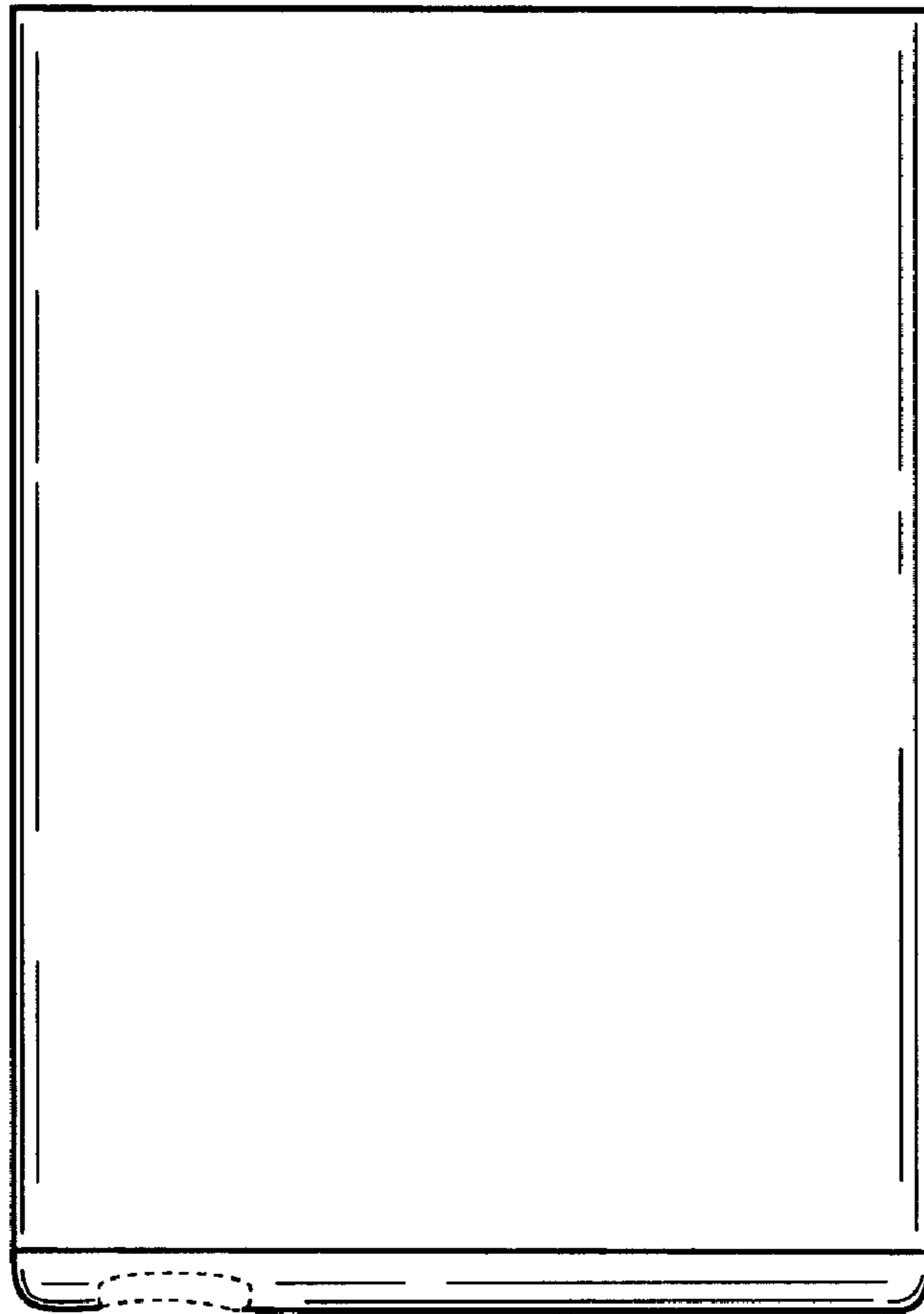


FIG. 10