



US00D647354S

(12) **United States Design Patent**
Wang

(10) **Patent No.:** **US D647,354 S**

(45) **Date of Patent:** **** Oct. 25, 2011**

(54) **WATER COOLER**

(75) Inventor: **Chun Yen Wang**, El Paso, TX (US)

(73) Assignee: **MTN Products, Inc**, La Verne, CA (US)

(**) Term: **14 Years**

(21) Appl. No.: **29/386,303**

(22) Filed: **Feb. 28, 2011**

D399,088 S *	10/1998	Chaney	D7/307
5,848,735 A *	12/1998	Eddy et al.	222/185.1
5,927,557 A *	7/1999	Busick et al.	222/185.1
D432,847 S *	10/2000	Smith	D7/306
D498,969 S *	11/2004	Nicol	D7/306
6,912,867 B2 *	7/2005	Busick	62/338
D554,930 S *	11/2007	Lavy	D7/307
D571,141 S *	6/2008	Roosmalen et al.	D7/307
D582,194 S *	12/2008	Wang	D7/313
D585,690 S *	2/2009	Dammkoehler	D7/307
D604,554 S *	11/2009	Lippert et al.	D7/306

* cited by examiner

Related U.S. Application Data

(62) Division of application No. 29/368,518, filed on Aug. 25, 2010, now Pat. No. Des. 635,812, which is a division of application No. 29/338,769, filed on Jun. 18, 2009, now Pat. No. Des. 623,885.

(51) **LOC (9) Cl.** **07-01**

(52) **U.S. Cl.** **D7/306; D7/311; D7/313**

(58) **Field of Classification Search** D7/300,
D7/306-311, 312, 313; 222/185.1, 146.6
See application file for complete search history.

(56) **References Cited**

U.S. PATENT DOCUMENTS

D322,534 S *	12/1991	Chaney	D7/306
D350,453 S *	9/1994	Chaney	D7/306
D367,797 S *	3/1996	Hauser et al.	D7/307
D394,185 S *	5/1998	Eddy et al.	D7/392

Primary Examiner — Marianne Pandozzi

(74) *Attorney, Agent, or Firm* — Michael P. Mazza, LLC

(57) **CLAIM**

The ornamental design for a water cooler, as shown and described.

DESCRIPTION

FIG. 1 is a front, side perspective view of a water cooler showing my new design;

FIG. 2 is a front elevational view thereof;

FIG. 3 is a top plan view thereof;

FIG. 4 is a bottom plan view thereof;

FIG. 5 is a left side elevational view thereof;

FIG. 6 is a rear elevational view thereof; and,

FIG. 7 is a right side elevational view thereof.

The broken lines are included for the purpose of illustration and form no part of the claimed design.

1 Claim, 2 Drawing Sheets

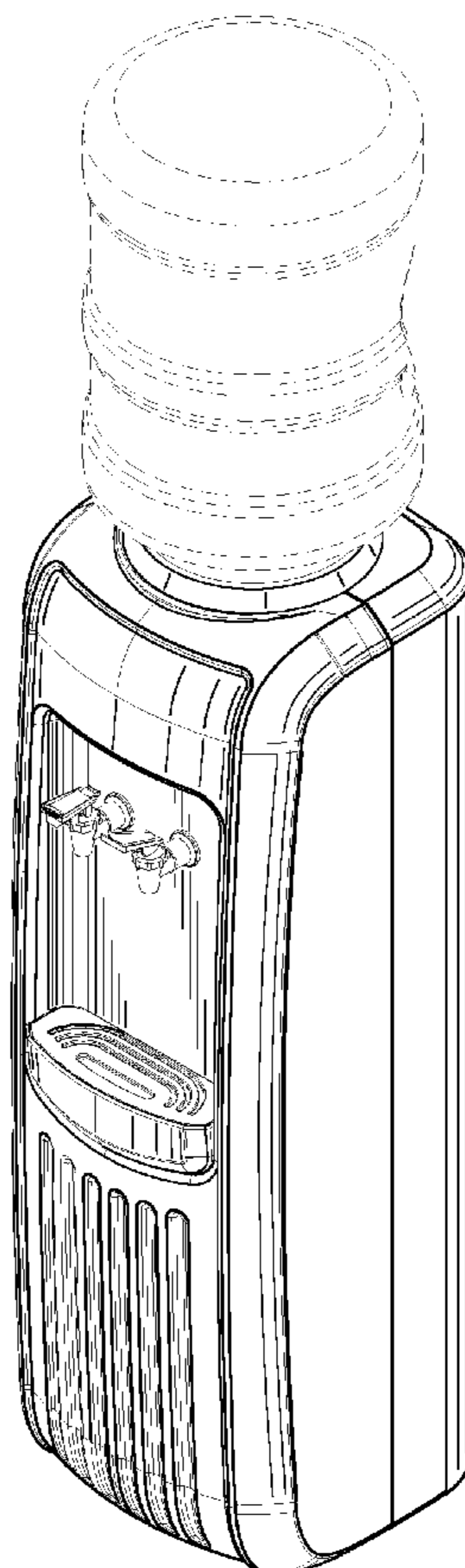


Fig. 1

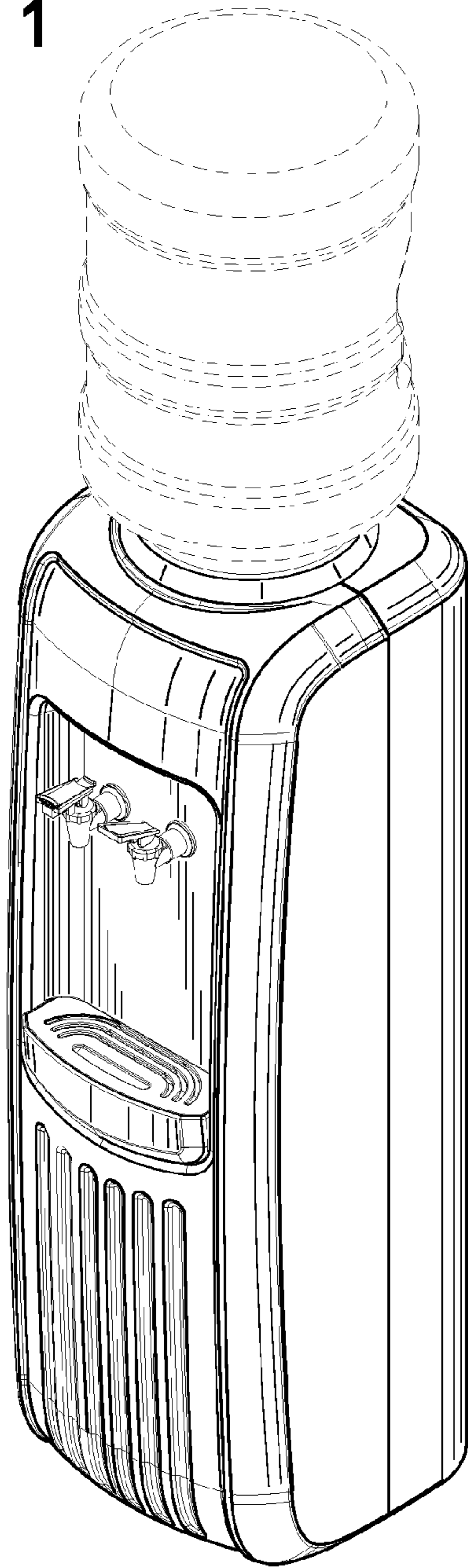


Fig. 2

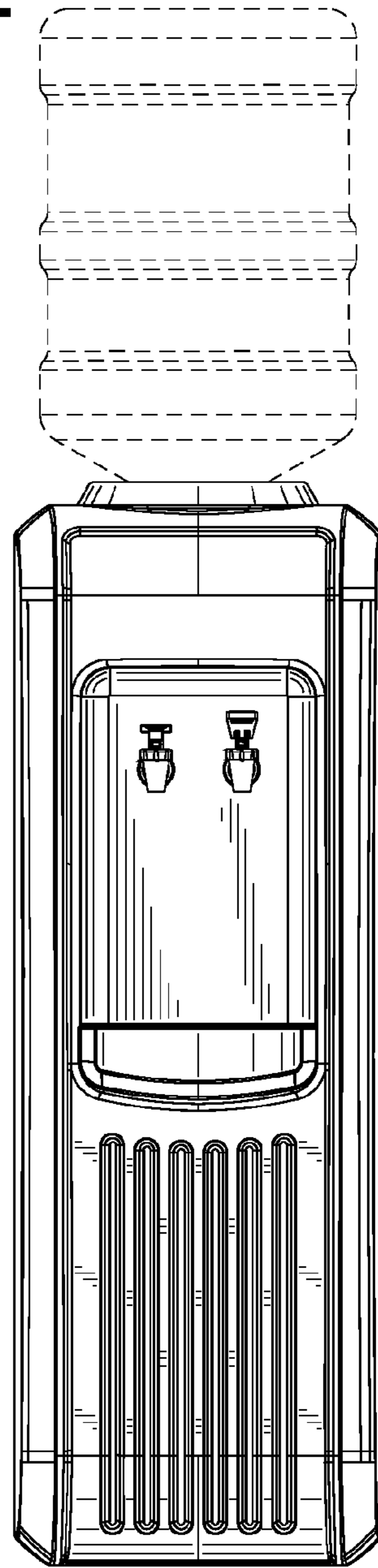


Fig. 3

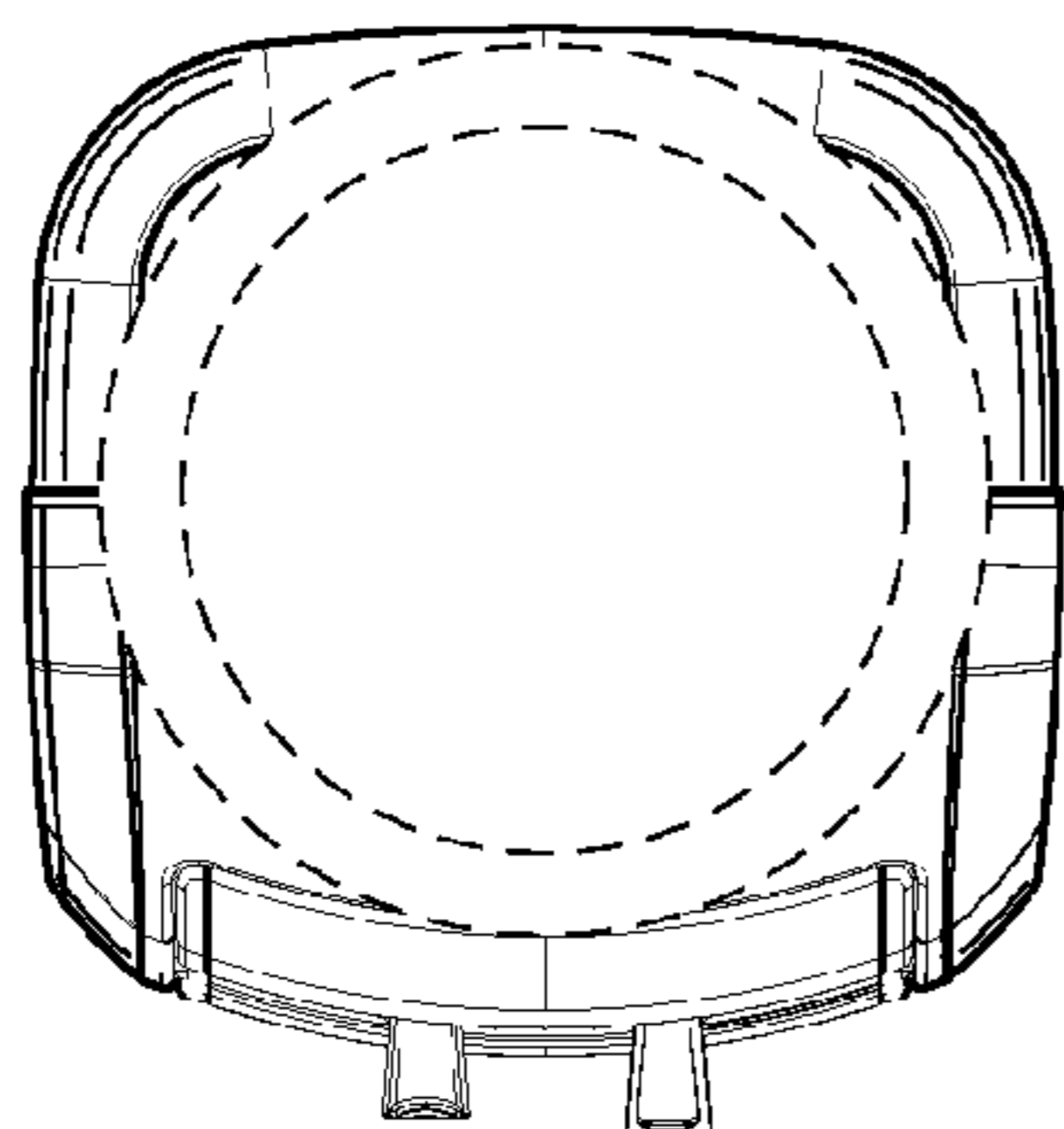


Fig. 4

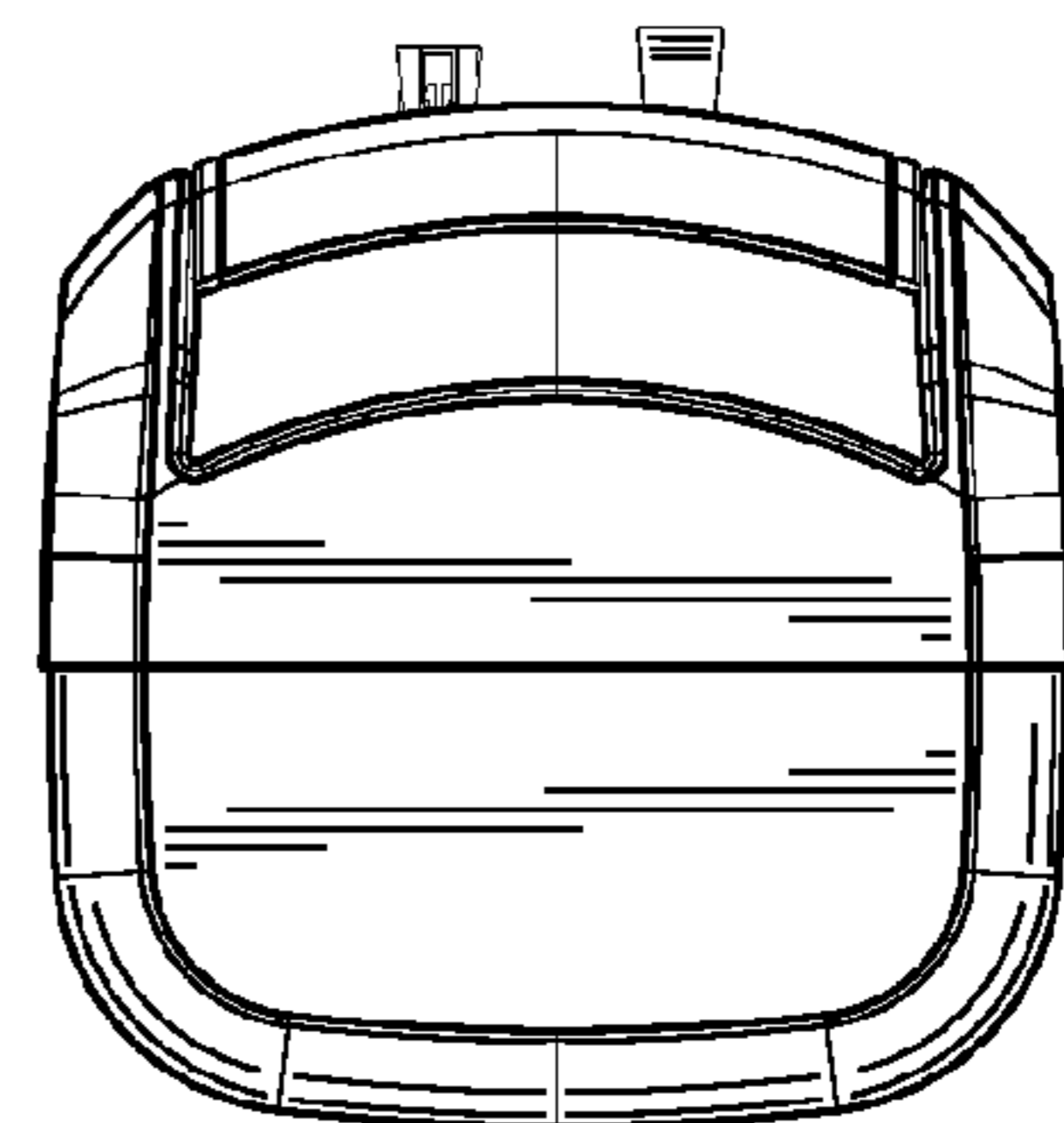


Fig. 5

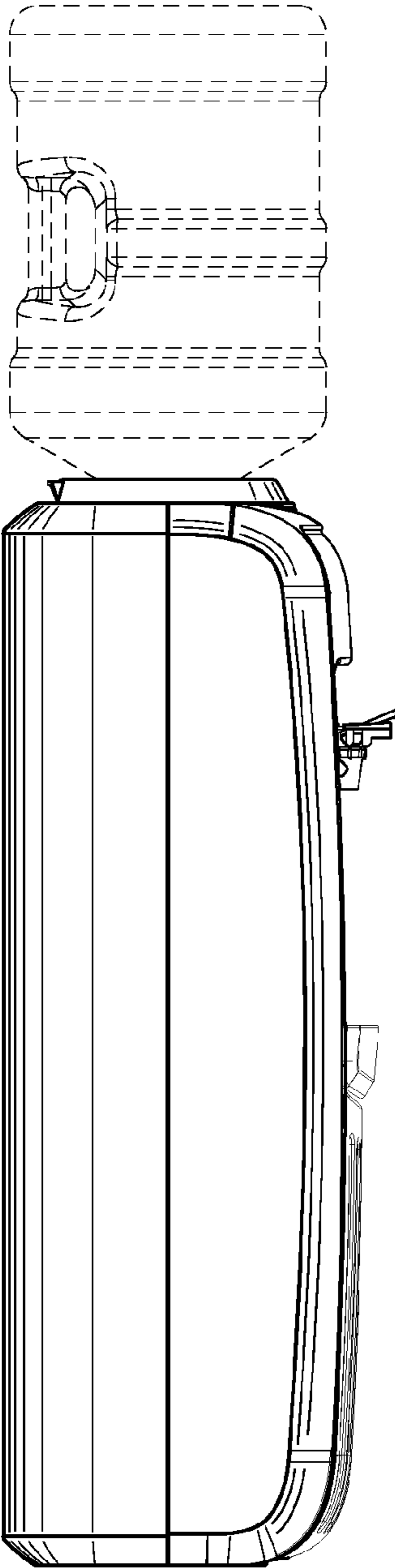


Fig. 6

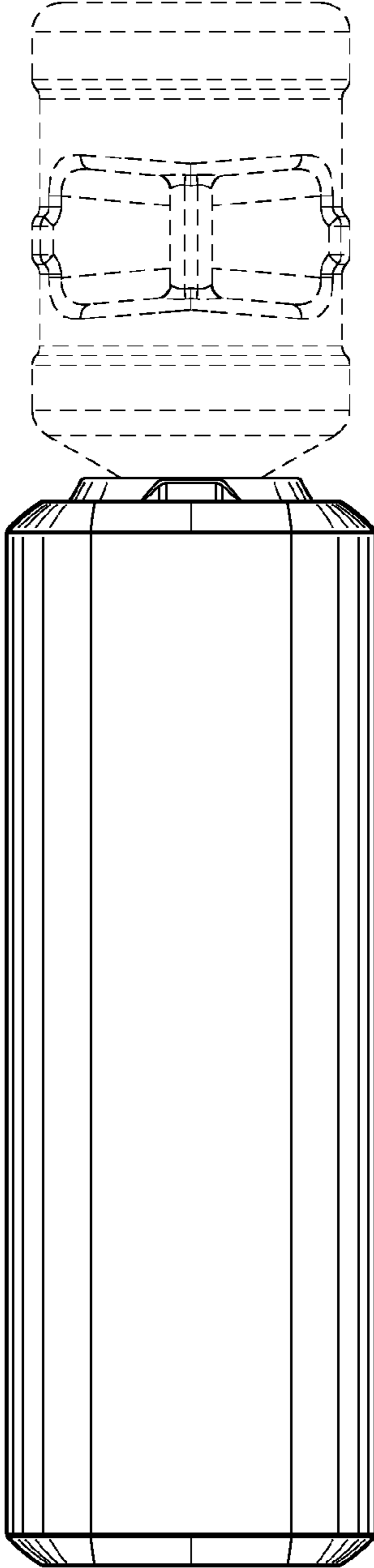


Fig. 7

