



US00D647350S

(12) **United States Design Patent**  
**Mantzis**

(10) **Patent No.:** **US D647,350 S**

(45) **Date of Patent:** **\*\* Oct. 25, 2011**

(54) **MATTRESS CORE**

(75) **Inventor:** **George Mantzis**, Campbellfield (AU)

(73) **Assignee:** **Mantzis Holdings Pty., Ltd.**,  
Melbourne, Victoria (AU)

(\*\*) **Term:** **14 Years**

(21) **Appl. No.:** **29/388,820**

(22) **Filed:** **Apr. 1, 2011**

**Related U.S. Application Data**

(63) Continuation of application No. 29/351,679, filed on Dec. 9, 2009, now abandoned.

**Foreign Application Priority Data**

(30) Jun. 9, 2009 (AU) ..... 12109/2009

(51) **LOC (9) Cl.** ..... **06-09**

(52) **U.S. Cl.** ..... **D6/605; D6/601**

(58) **Field of Classification Search** ..... D6/595,  
D6/596, 601, 604, 605; 5/630, 636, 652,  
5/653, 655.9, 656, 417, 419, 420, 690, 706,  
5/731, 736, 720, 729

See application file for complete search history.

(56) **References Cited**

U.S. PATENT DOCUMENTS

D416,426	S	*	11/1999	Denney et al.	.....	D6/596
D416,741	S	*	11/1999	Denney et al.	.....	D6/596
6,347,423	B1	*	2/2002	Stumpf	.....	5/720
7,520,011	B1	*	4/2009	Liberkowski	.....	5/731
7,676,872	B2	*	3/2010	Block et al.	.....	5/690
2010/0269262	A1	*	10/2010	Warren et al.	.....	5/690

\* cited by examiner

*Primary Examiner* — Janice Seeger

(74) *Attorney, Agent, or Firm* — Merchant & Gould P.C.

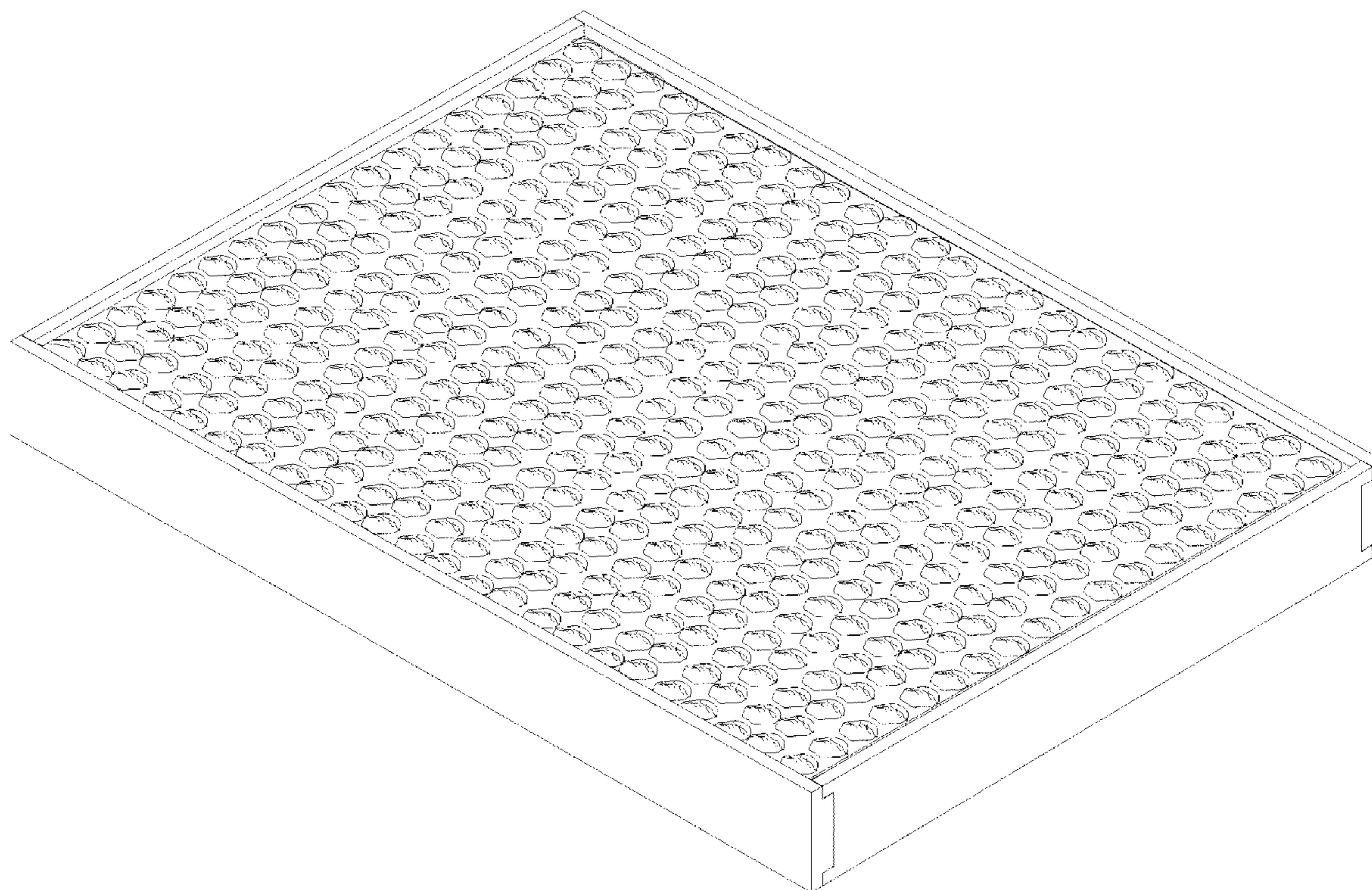
(57) **CLAIM**

The ornamental design for mattress core, as shown and described.

**DESCRIPTION**

FIG. 1 top view showing my design for a mattress core thereof;  
FIG. 2 is a first end view;  
FIG. 3 is a second end view;  
FIG. 4 is a bottom view;  
FIG. 5 is a first side view;  
FIG. 6 is a second side view; and,  
FIG. 7 is top perspective view.

**1 Claim, 3 Drawing Sheets**



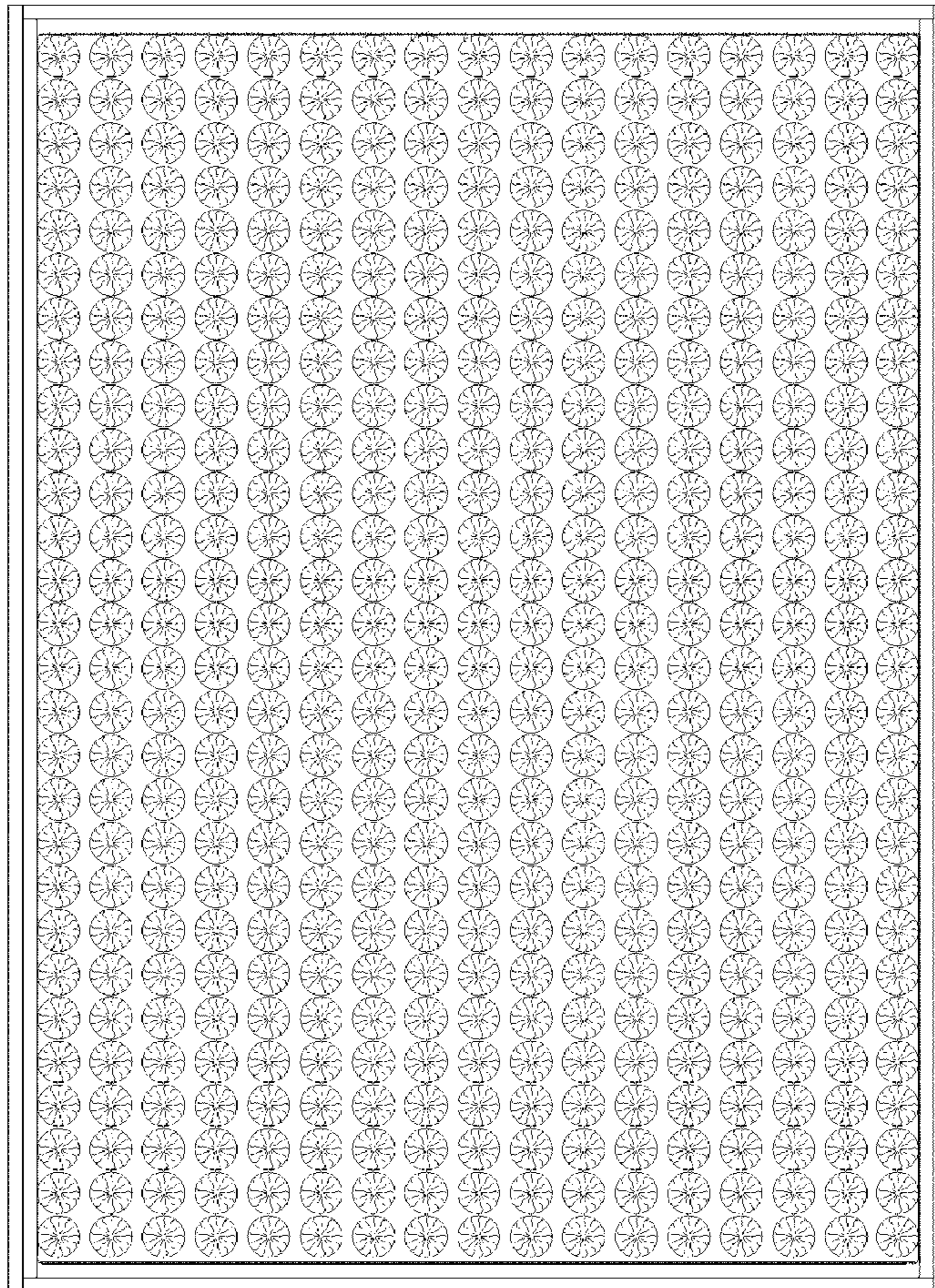


Figure 1



Figure 2



Figure 3

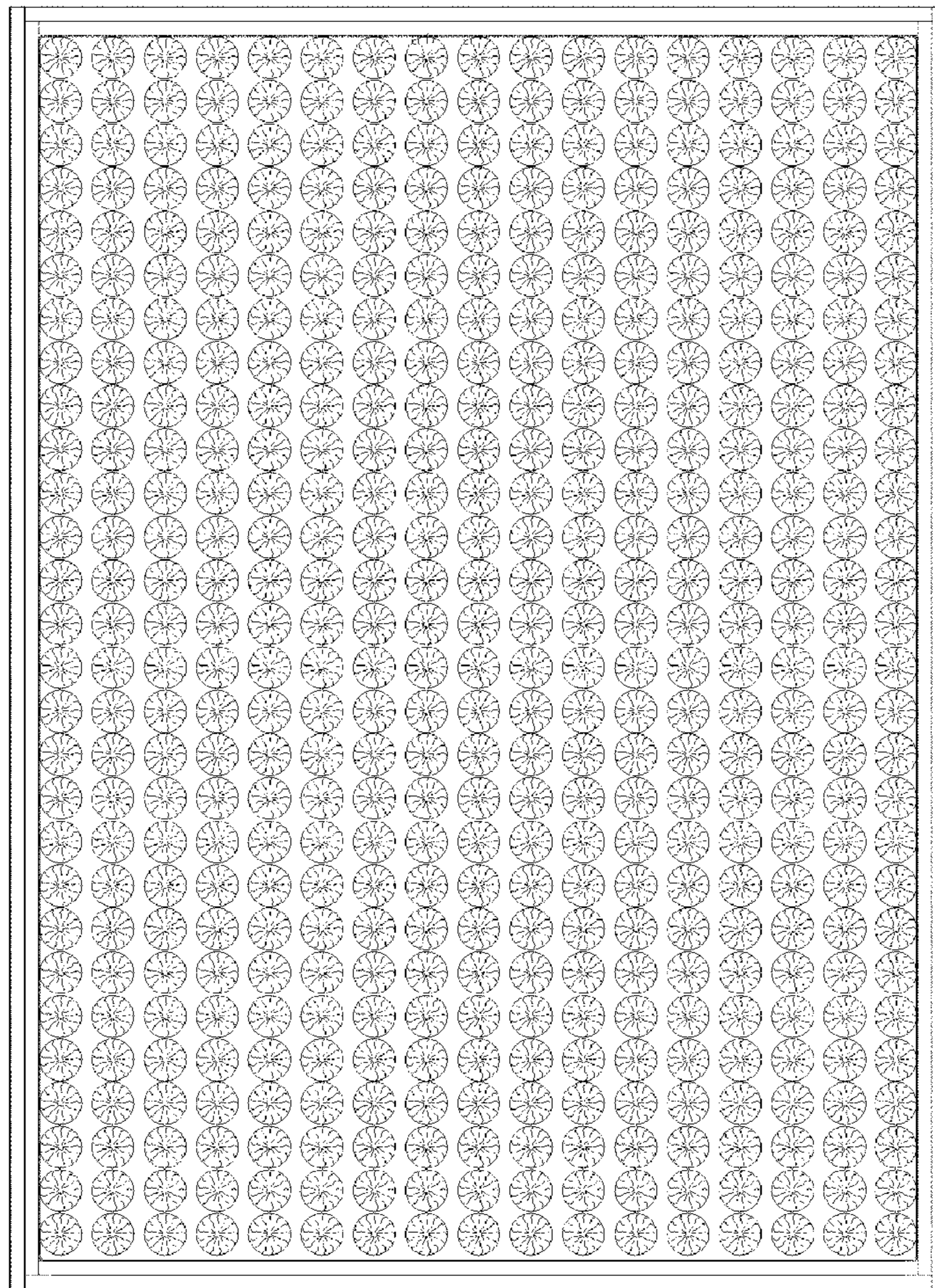


Figure 4



Figure 5



Figure 6

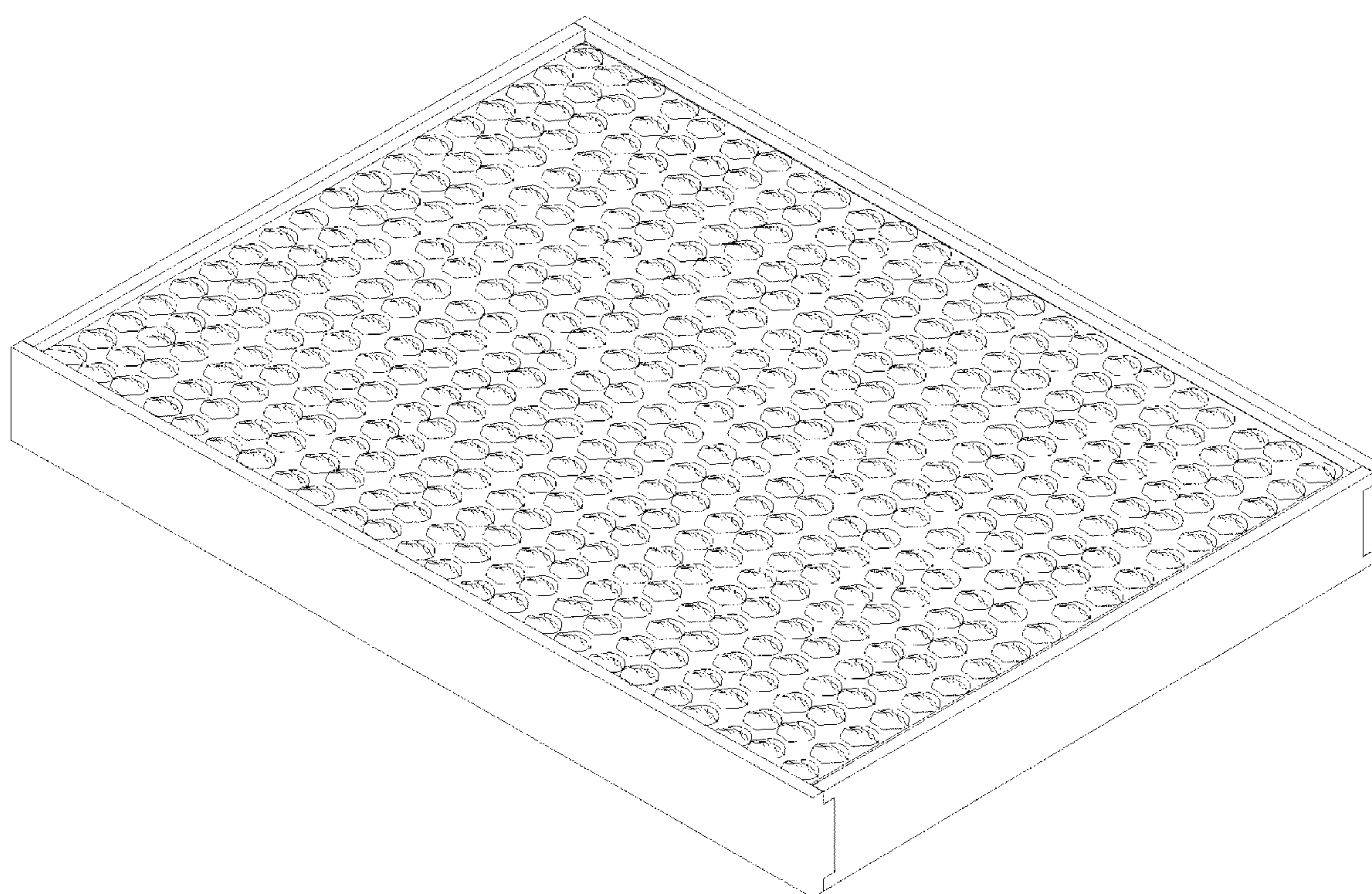


Figure 7