



US00D647342S

(12) **United States Design Patent**  
**Cannaverde et al.**

(10) **Patent No.:** **US D647,342 S**

(45) **Date of Patent:** **\*\* Oct. 25, 2011**

(54) **WINDOW SHADE CORD RETAINER**

(75) Inventors: **Joseph Cannaverde**, Stamford, CT  
(US); **Christopher D. Clark**, Lempster,  
NH (US)

(73) Assignee: **Rollease Inc.**, Stamford, CT (US)

(\*\*) Term: **14 Years**

(21) Appl. No.: **29/381,573**

(22) Filed: **Dec. 21, 2010**

(51) **LOC (9) Cl.** ..... **06-10**

(52) **U.S. Cl.** ..... **D6/581**

(58) **Field of Classification Search** ..... D6/577,  
D6/579, 580, 581, 582, 583, 584, 585; 24/115 R,  
24/115 H, 115 K; 160/168.1, 168.1 V, 170,  
160/178.1 R, 178.2, 322, 344; 428/172,  
428/192; D13/155, 168  
See application file for complete search history.

(56) **References Cited**

U.S. PATENT DOCUMENTS

D364,984 S	*	12/1995	Voss	.....	D6/581
D377,287 S	*	1/1997	Biba	.....	D6/581
D395,973 S	*	7/1998	Huang	.....	D6/581
D428,292 S	*	7/2000	Anderson	.....	D6/581
D440,104 S	*	4/2001	Horsten	.....	D6/581
D442,413 S	*	5/2001	Ishii	.....	D6/581
D448,595 S	*	10/2001	Chico	.....	D6/581

D533,004 S	*	12/2006	Dekker et al.	.....	D6/581
D541,568 S	*	5/2007	Metaxatos	.....	D6/581
D591,993 S	*	5/2009	Chou	.....	D6/581
D596,435 S	*	7/2009	Wills	.....	D6/581
D620,738 S	*	8/2010	Baron	.....	D6/581
D637,856 S	*	5/2011	LaBarre et al.	.....	D6/581

\* cited by examiner

*Primary Examiner* — Susan Bennett Hattan

*Assistant Examiner* — Barbara B Lohr

(74) *Attorney, Agent, or Firm* — Gottlieb, Rackman & Reisman, P.C.

(57) **CLAIM**

The ornamental design for a window shade cord retainer, as shown and described.

**DESCRIPTION**

FIG. 1 is a top, front and left side perspective view of the window shade cord retainer showing our new design in mounted position;

FIG. 2 is a top view thereof;

FIG. 3 is a front elevational view thereof, the rear elevational view being a mirror image;

FIG. 4 is a right side elevational view thereof, the left side being a mirror image;

FIG. 5 is a bottom view thereof; and,

FIG. 6 is a top, front and left side perspective view of the window shade cord retainer in dismounted position.

The broken line showing the cord in FIG. 4 is for illustrative purposes only and forms no part of the claimed design.

**1 Claim, 3 Drawing Sheets**

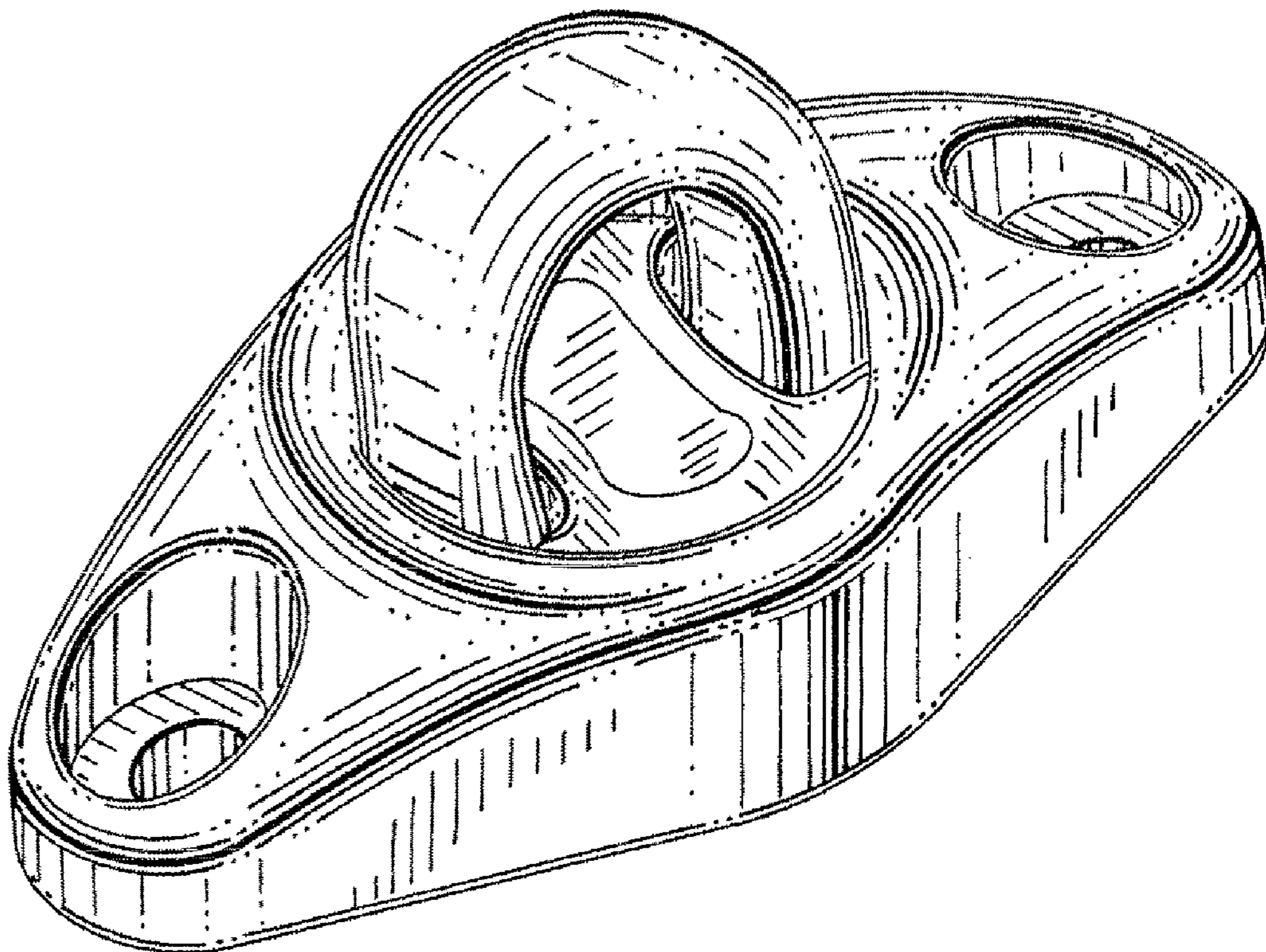


FIG. 1

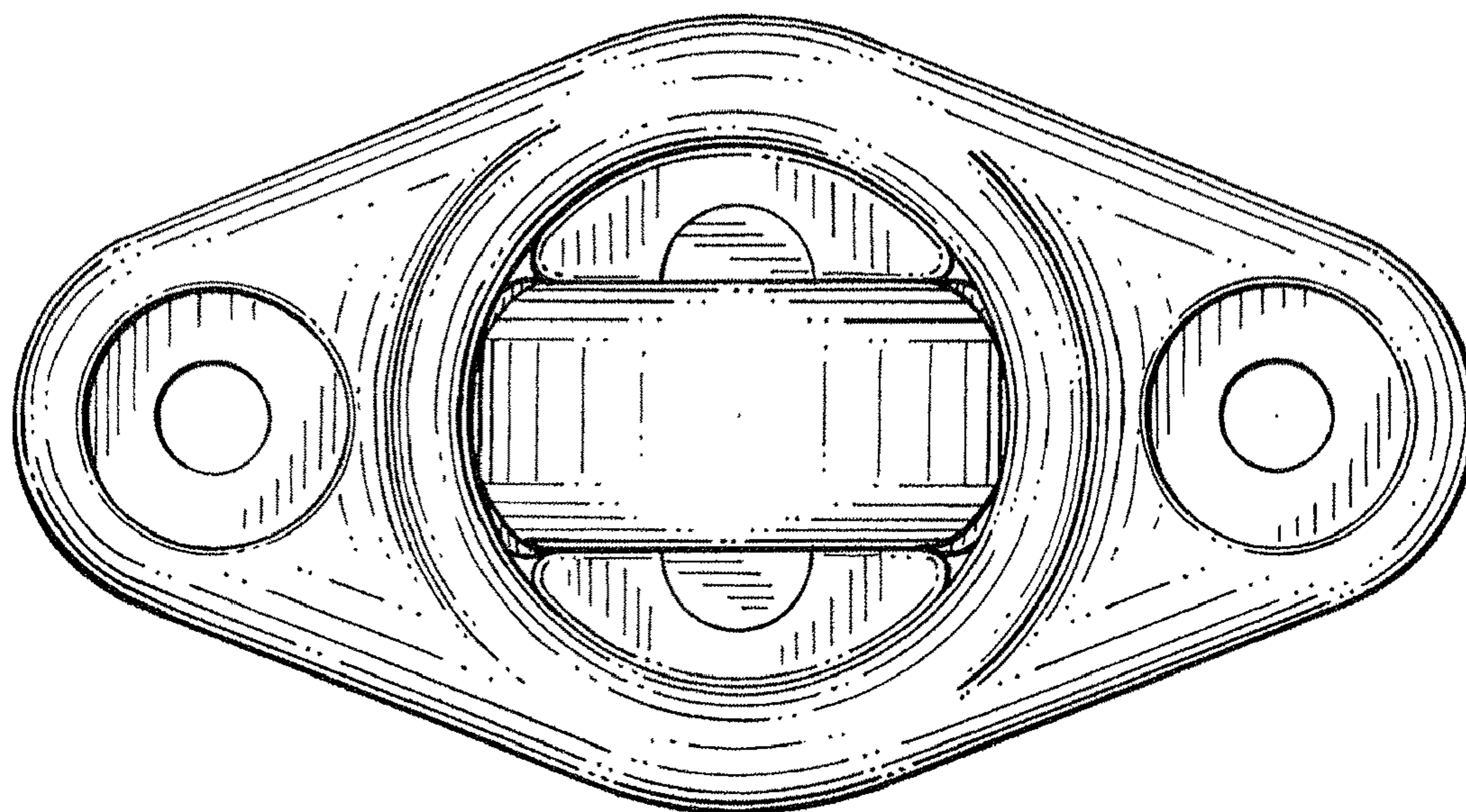
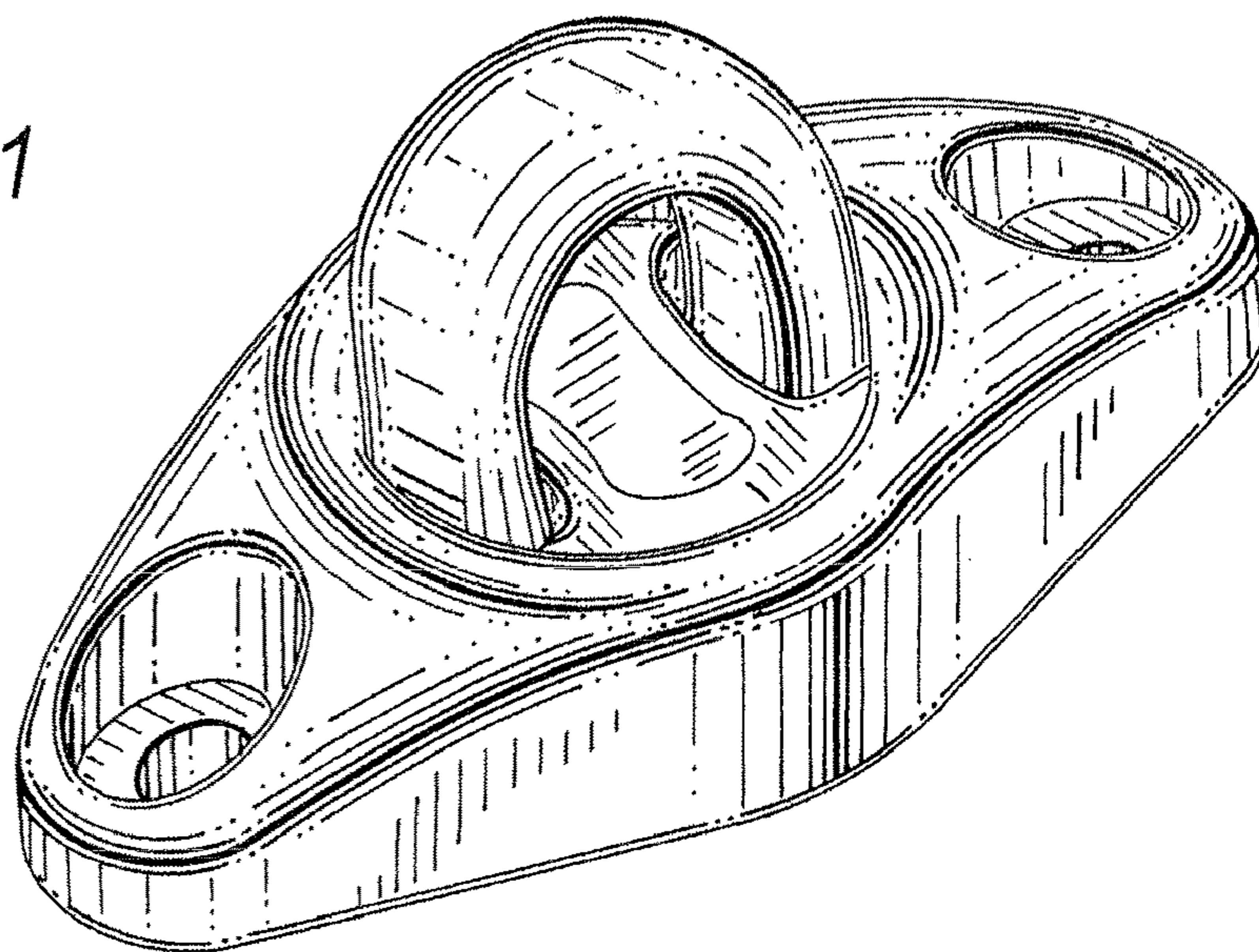


FIG. 2

FIG. 3

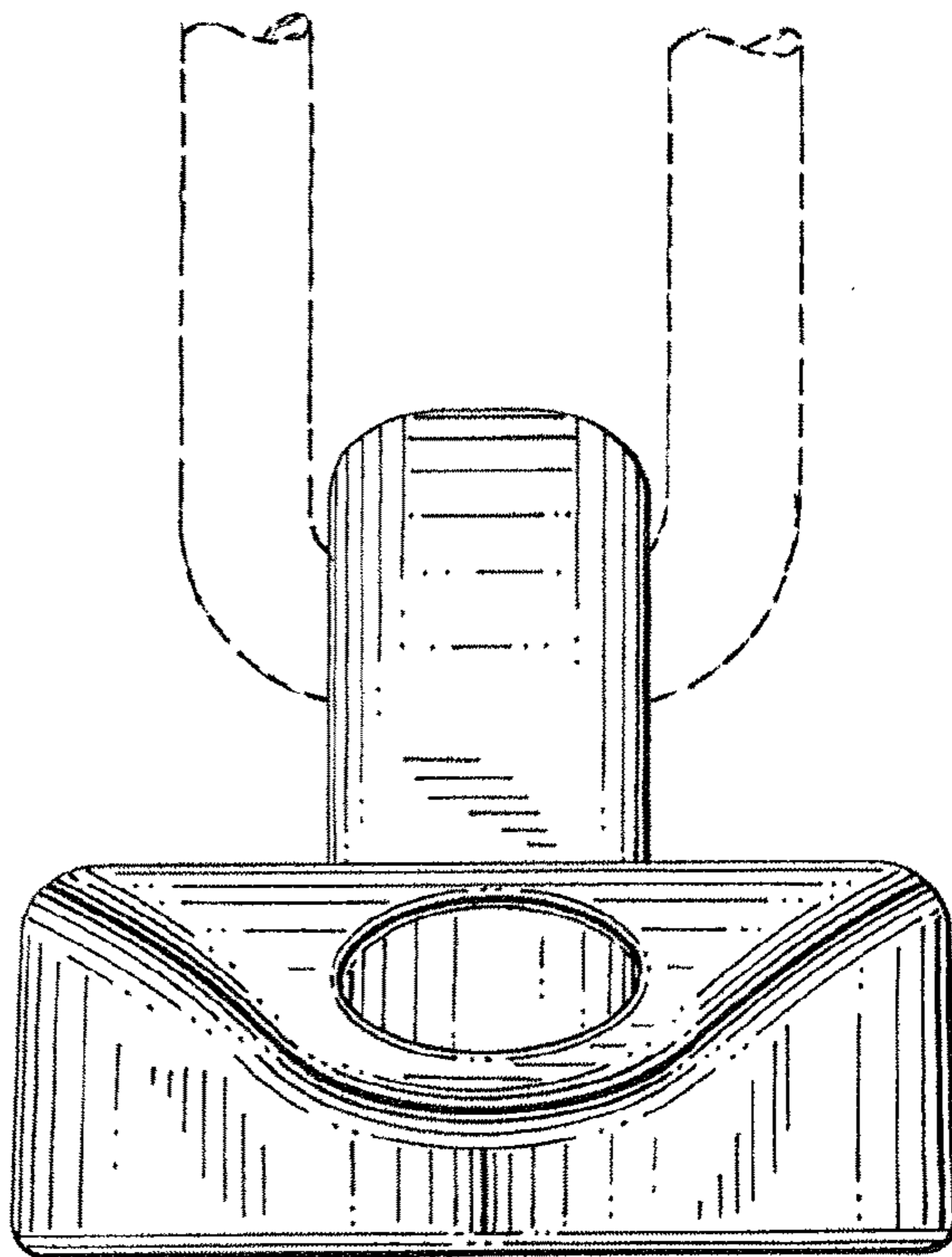
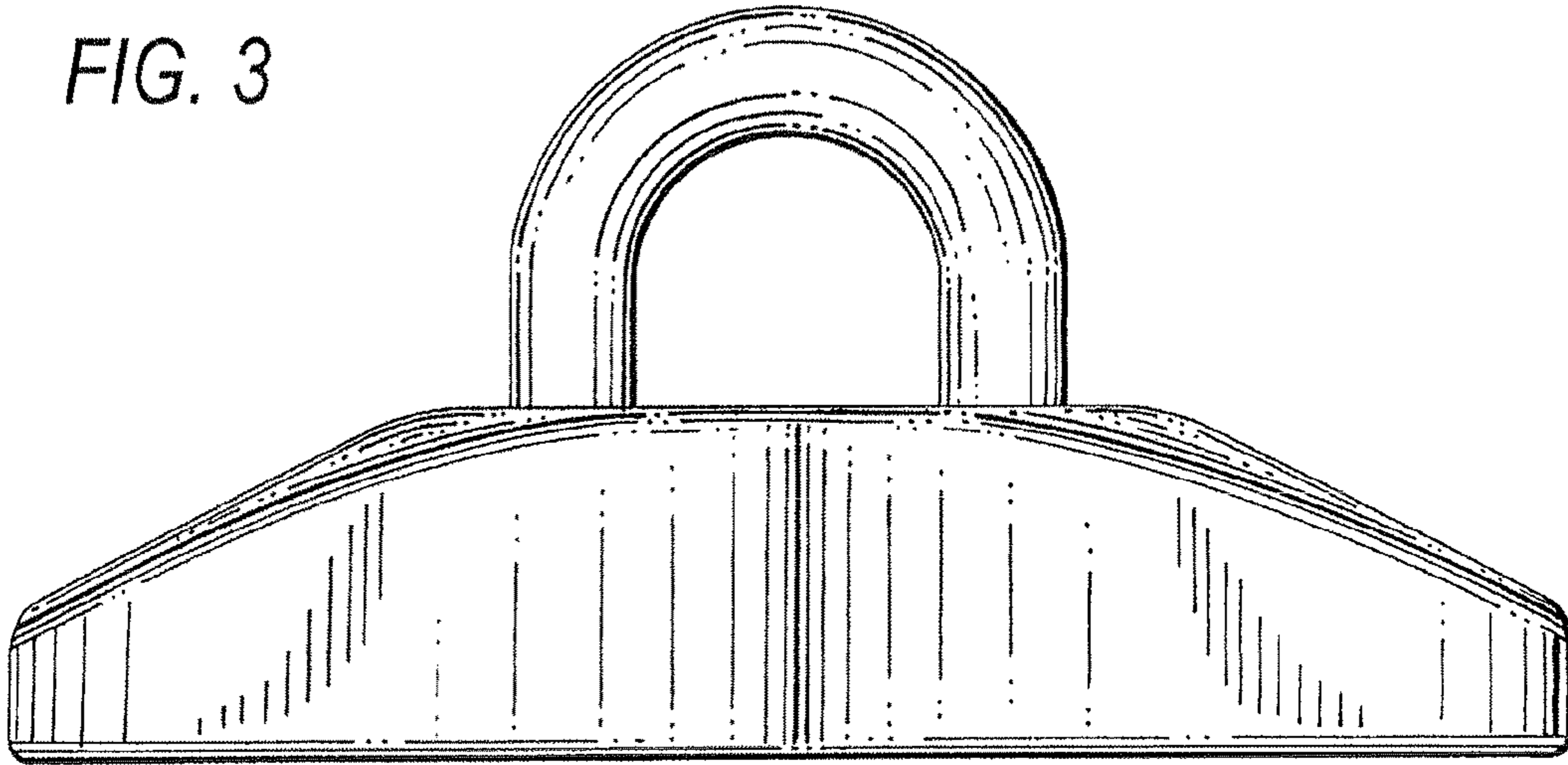


FIG. 4

FIG. 5

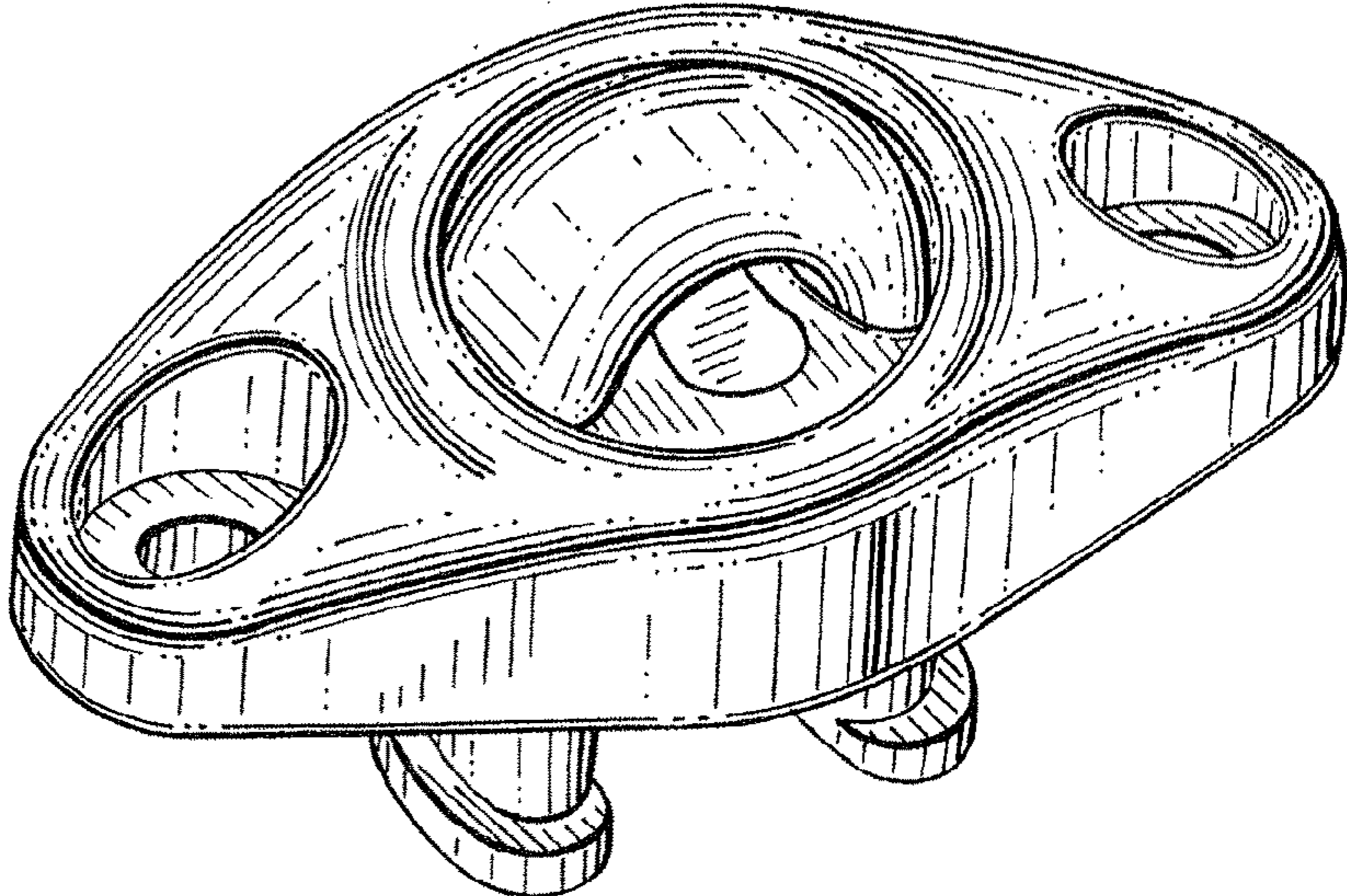
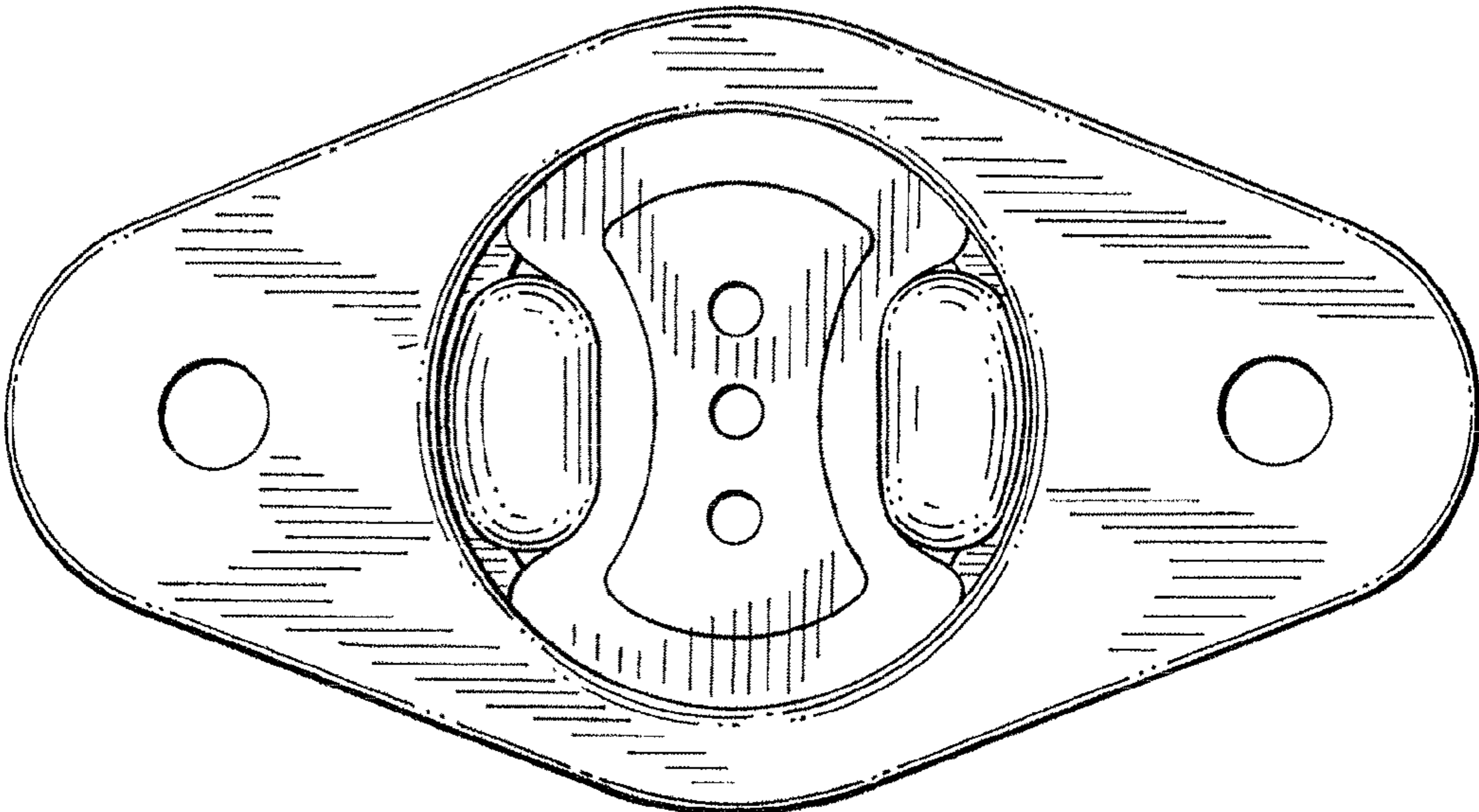


FIG. 6