



US00D647340S

(12) **United States Design Patent**
Stephens

(10) **Patent No.:** **US D647,340 S**

(45) **Date of Patent:** **** Oct. 25, 2011**

(54) **PLASTIC BAG BOX HOLDER**

(76) Inventor: **Donald Stephens**, Lake Wylie, SC (US)

(**) Term: **14 Years**

(21) Appl. No.: **29/376,999**

(22) Filed: **Oct. 15, 2010**

(51) **LOC (9) Cl.** **06-04**

(52) **U.S. Cl.** **D6/518**

(58) **Field of Classification Search** D6/542-545,
D6/553, 567, 574, 515-525; 206/77.1; 211/13.1,
211/86.01, 87.01; 221/14, 92, 649, 146.1,
221/146.2, 105; 222/281-282; D23/225;
D8/349, 354, 363, 373, 394; D24/155

See application file for complete search history.

(56) **References Cited**

U.S. PATENT DOCUMENTS

4,995,530	A	2/1991	Tabor	
D330,479	S *	10/1992	Stevens	D6/518
D430,438	S *	9/2000	Phelps et al.	D6/515
D456,652	S *	5/2002	Smith	D6/518

D551,007	S *	9/2007	Trinko	D6/566
D627,181	S *	11/2010	Lehr et al.	D6/515
D634,138	S *	3/2011	Wallace	D6/518

* cited by examiner

Primary Examiner — Brian N Vinson

(74) *Attorney, Agent, or Firm* — Kyle Fletcher

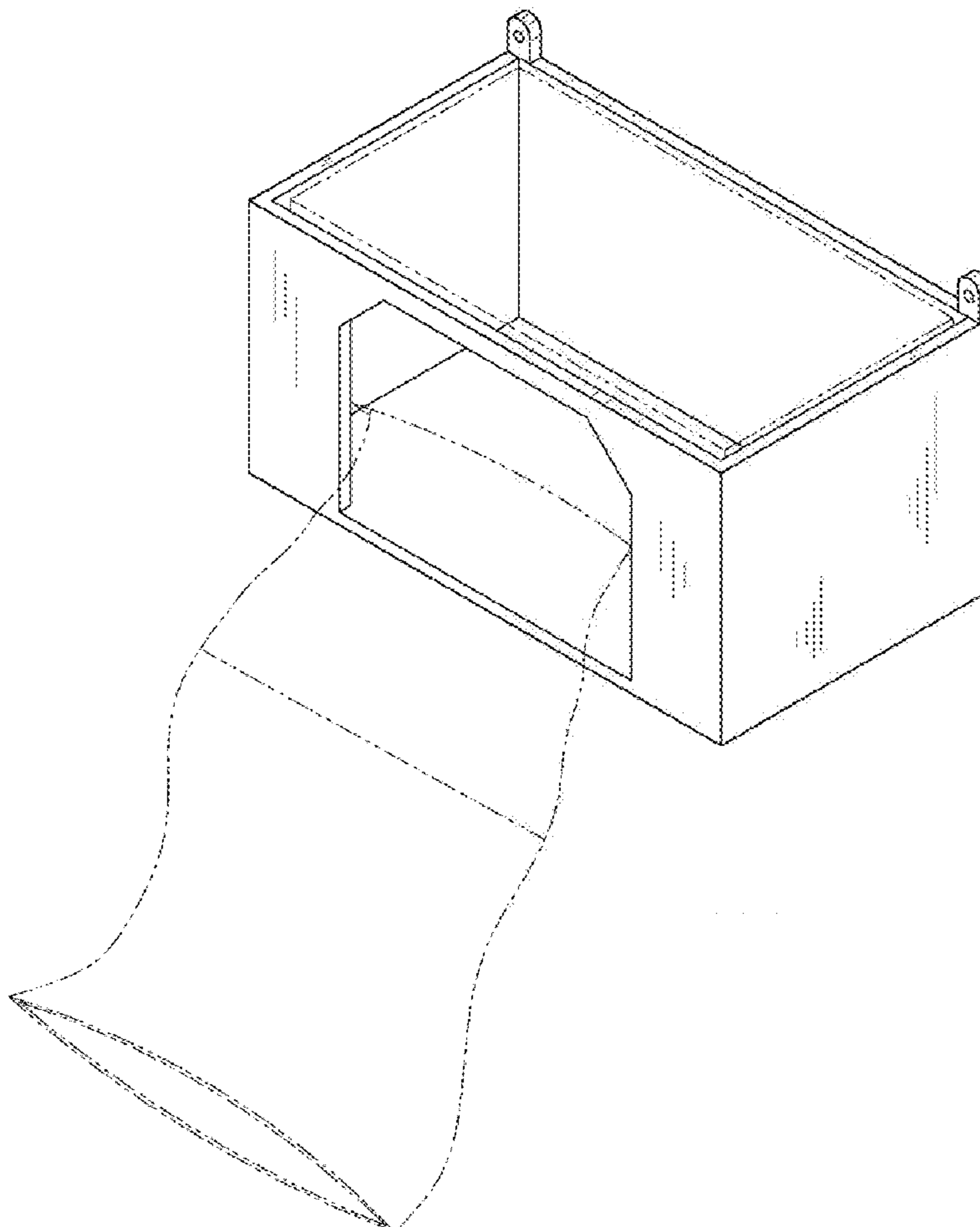
(57) **CLAIM**

I claim the ornamental design for the plastic bag box holder, as shown and described.

DESCRIPTION

FIG. 1 is a front view of the plastic bag box holder.
 FIG. 2 is a right view of the claimed design.
 FIG. 3 is a side view of the claimed design.
 FIG. 4 is a top view of the claimed design.
 FIG. 5 is a bottom view of the claimed design; and,
 FIG. 6 is an isometric view of the claimed design in use with and supporting a box containing a roll of plastic bags and of which the roll of plastic bags exit through an opening on the front of the claimed design; and wherein both the box and the plastic bags are depicted in dashed lines forming no part of the claimed design.

1 Claim, 3 Drawing Sheets



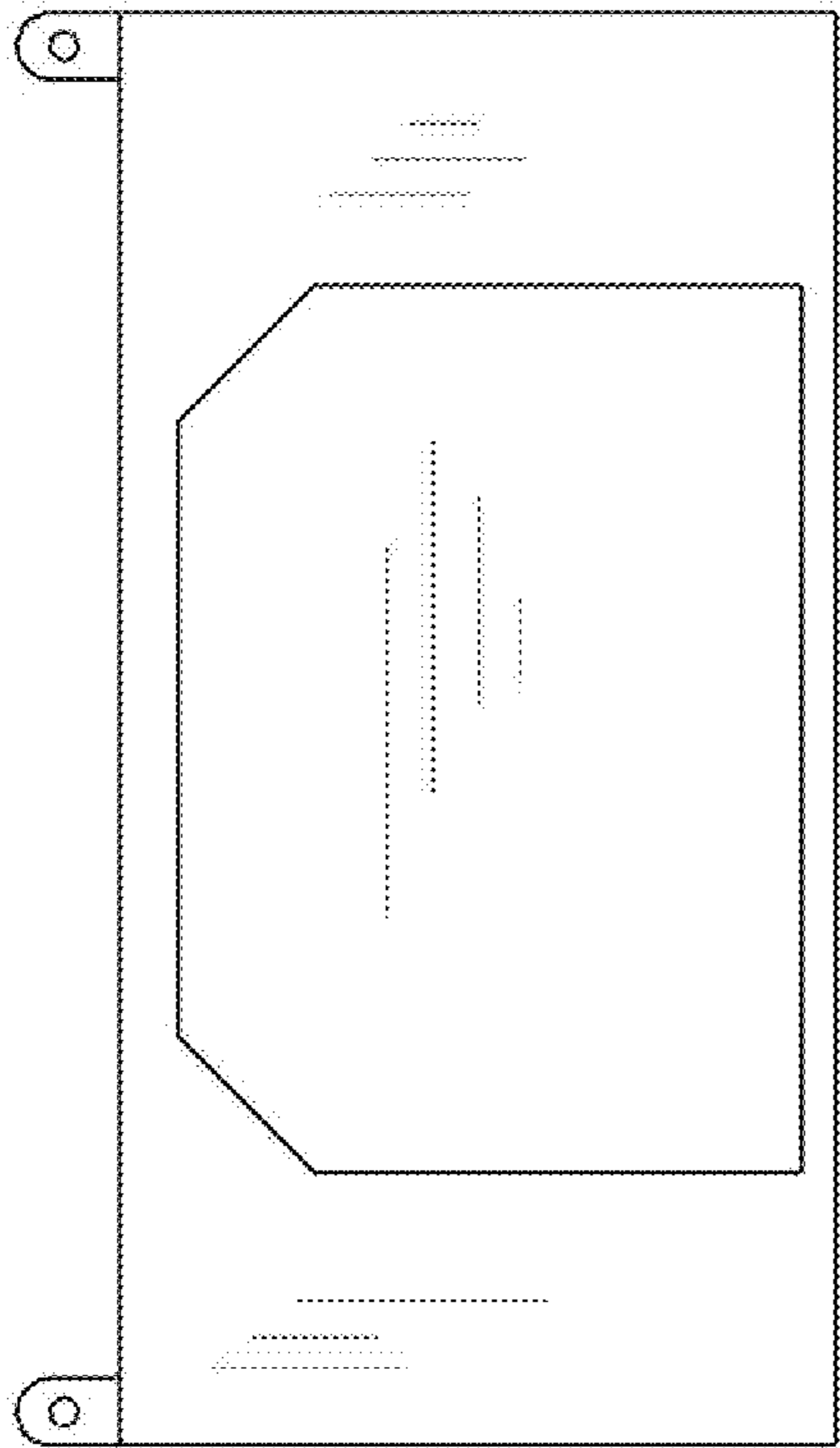


FIG. 1

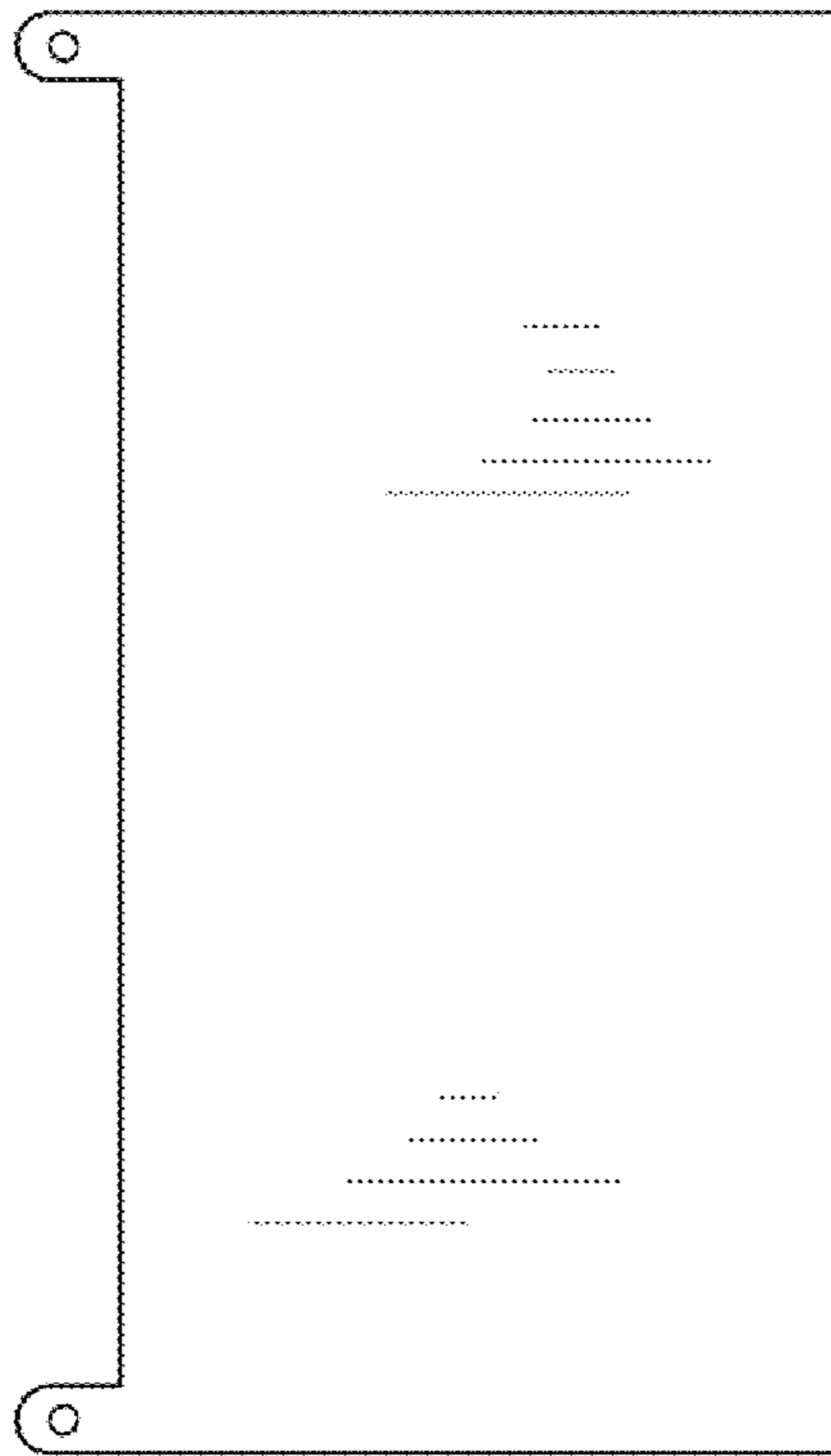


FIG. 2

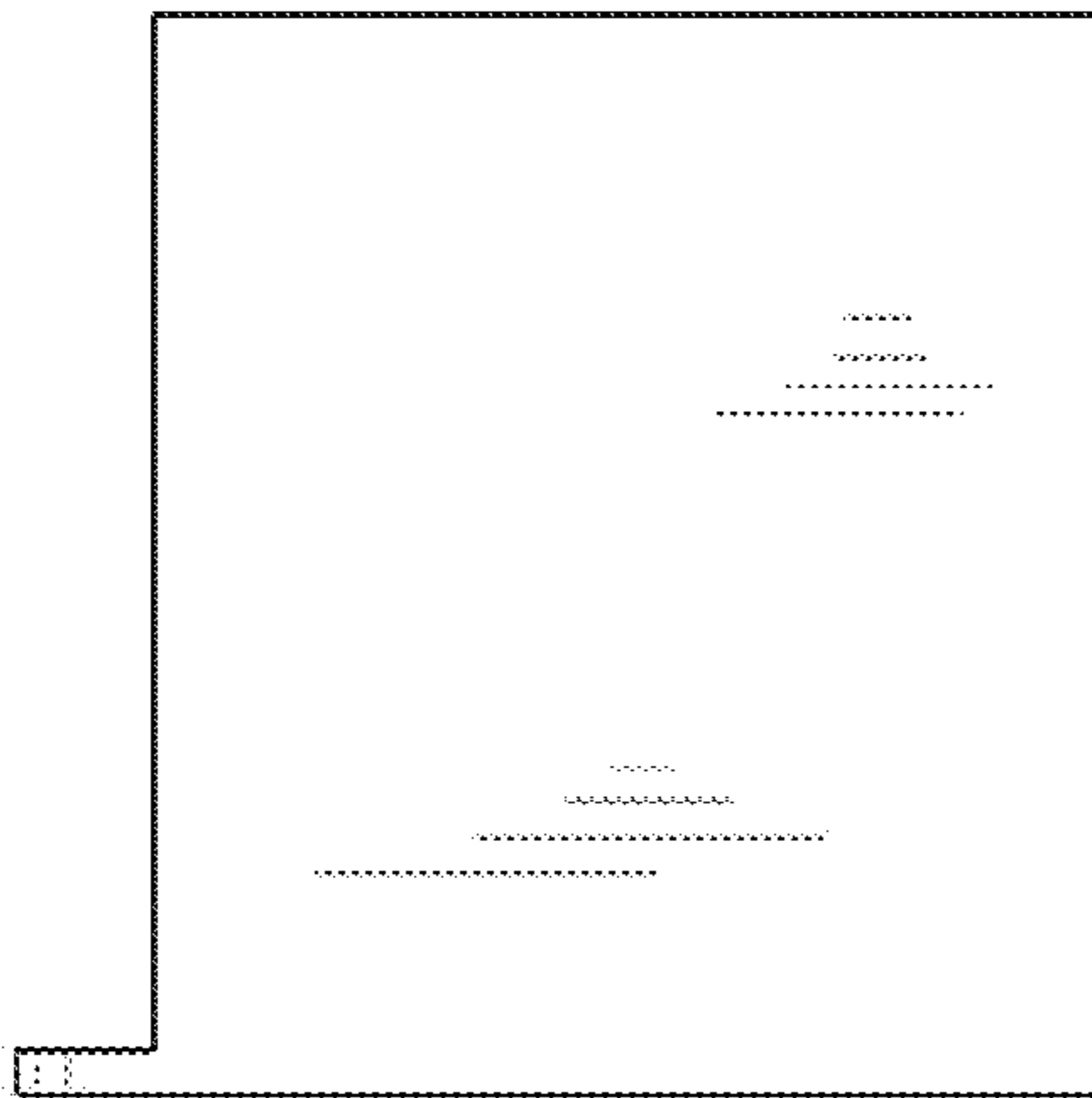


FIG. 3

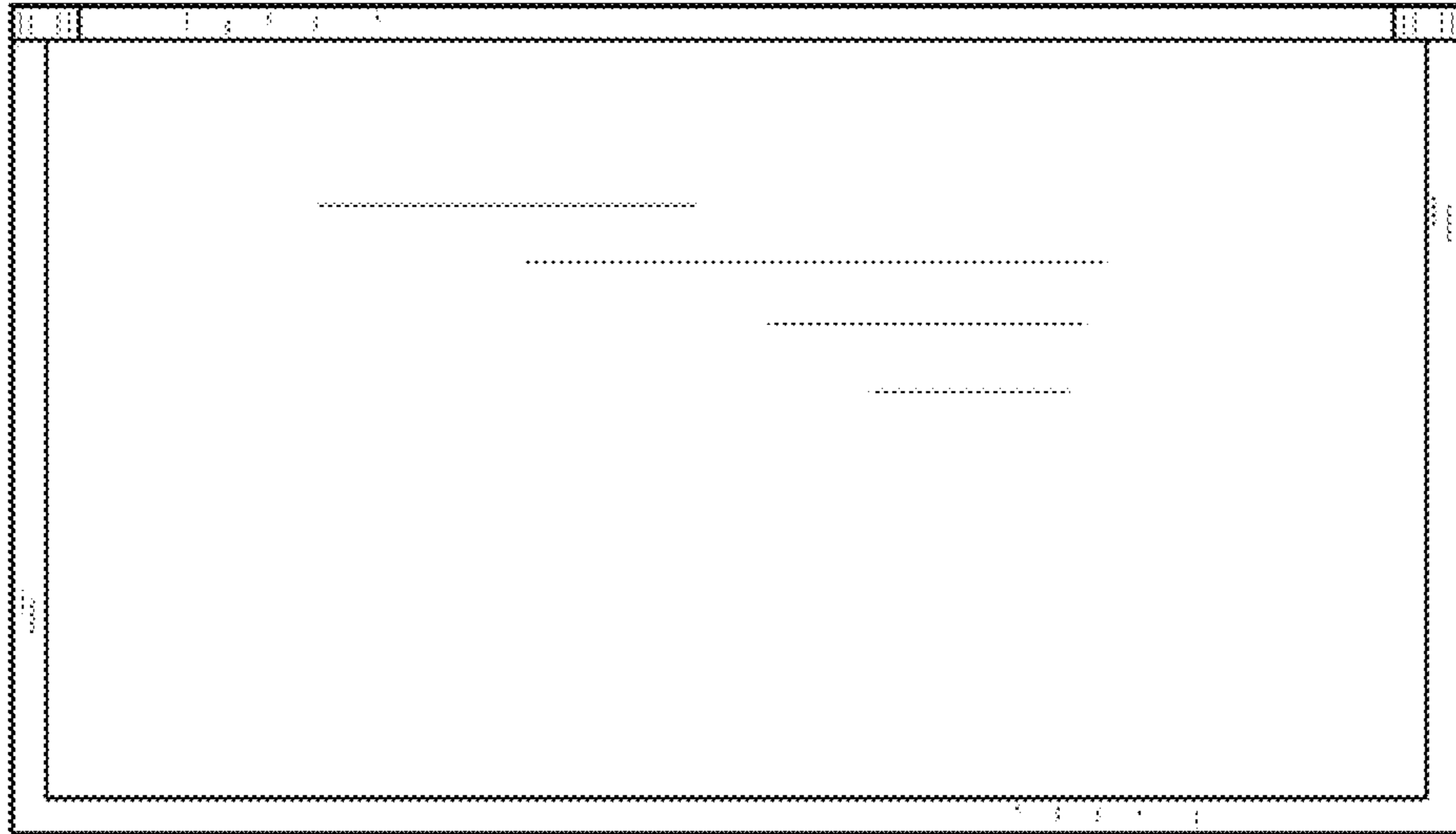


FIG. 4

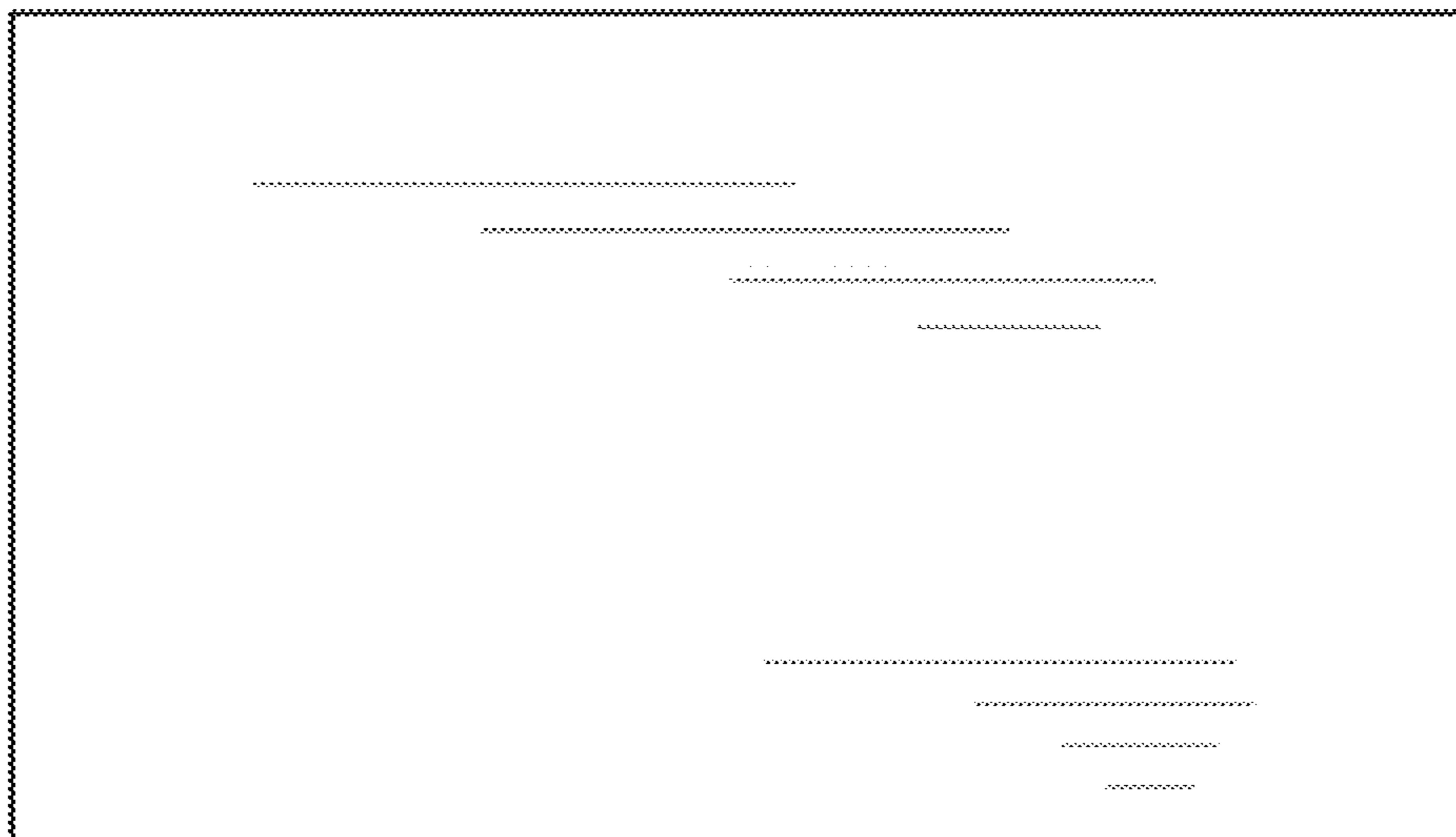


FIG. 5

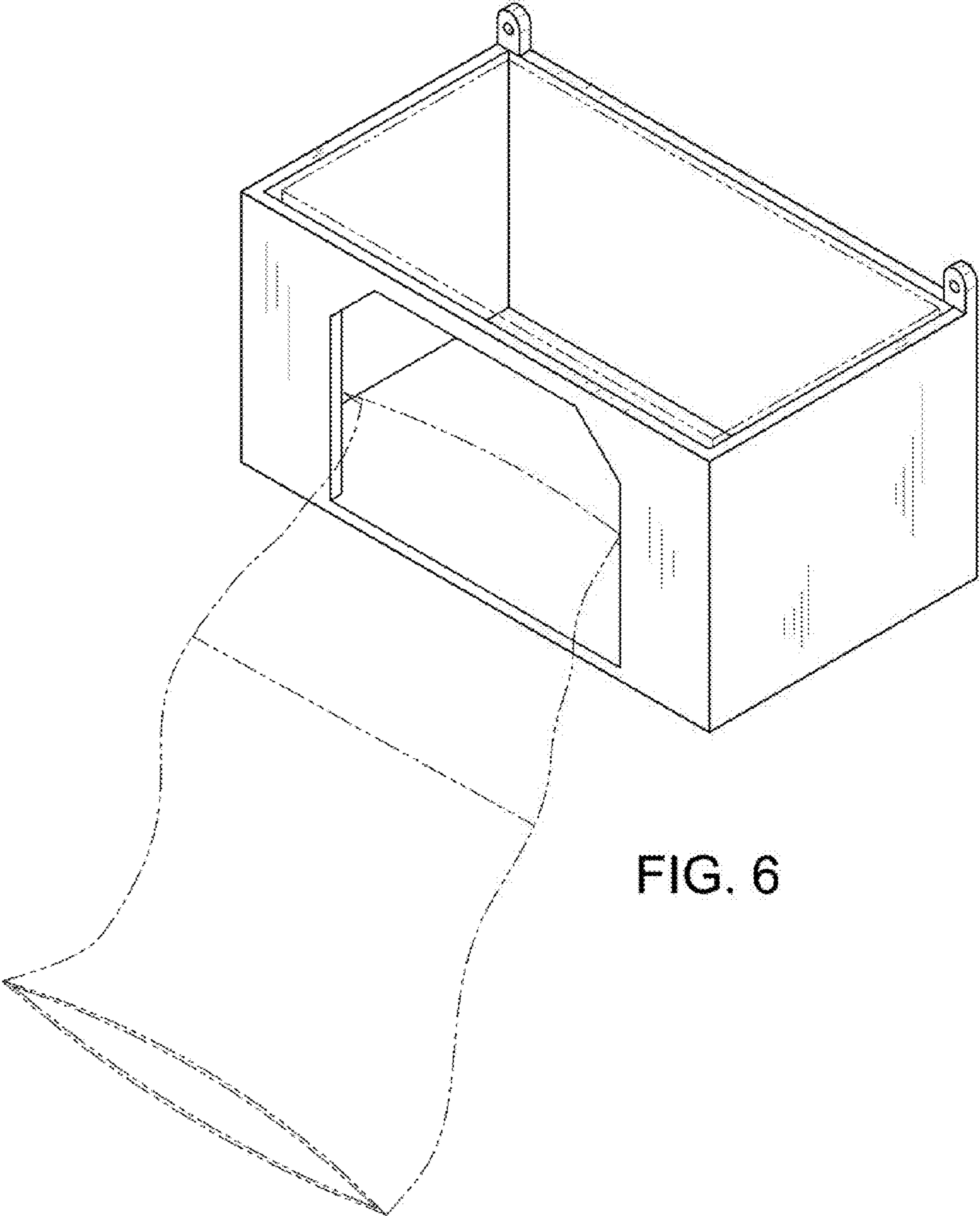


FIG. 6