



US00D647330S

(12) **United States Design Patent**
Goldstein et al.

(10) **Patent No.:** **US D647,330 S**

(45) **Date of Patent:** **** Oct. 25, 2011**

(54) **AUDIO VIDEO STAND**

(75) Inventors: **Jeffrey Evan Goldstein**, San Diego, CA
(US); **Shin Yamaguchi**, Tokyo (JP)

(73) Assignee: **Sony Corporation**, Tokyo (JP)

(**) Term: **14 Years**

(21) Appl. No.: **29/388,144**

(22) Filed: **Mar. 24, 2011**

(51) **LOC (9) Cl.** **06-06**

(52) **U.S. Cl.** **D6/477**

(58) **Field of Classification Search** D6/436,
D6/449, 466, 470, 477-479, 630; D14/126,
D14/133, 239; 211/41.14, 42-43, 133.1,
211/205; 312/7.1-7.2, 9.1, 111, 246.9, 249.8,
312/249.13

See application file for complete search history.

(56) **References Cited**

U.S. PATENT DOCUMENTS

D471,034 S *	3/2003	Bong et al.	D6/479
D483,966 S *	12/2003	Forlenza et al.	D6/474
D515,849 S *	2/2006	Niu	D6/479
D529,317 S *	10/2006	Takatsuki et al.	D6/479

D539,057 S *	3/2007	Senda et al.	D6/477
D542,059 S *	5/2007	Moyle et al.	D6/479
D571,779 S *	6/2008	Matsuoka	D14/168
D612,634 S *	3/2010	Zambelli	D6/477
D620,284 S *	7/2010	Zambelli	D6/477
D636,617 S *	4/2011	Lara	D6/479

* cited by examiner

Primary Examiner — Elizabeth Albert

Assistant Examiner — Kelley Donnelly

(74) *Attorney, Agent, or Firm* — John L. Rogitz

(57) **CLAIM**

The ornamental design for an audio video stand, as shown and described.

DESCRIPTION

FIG. 1 is a perspective view for an audio video stand showing my new design;

FIG. 2 is a front elevational view thereof;

FIG. 3 is a rear elevational view thereof

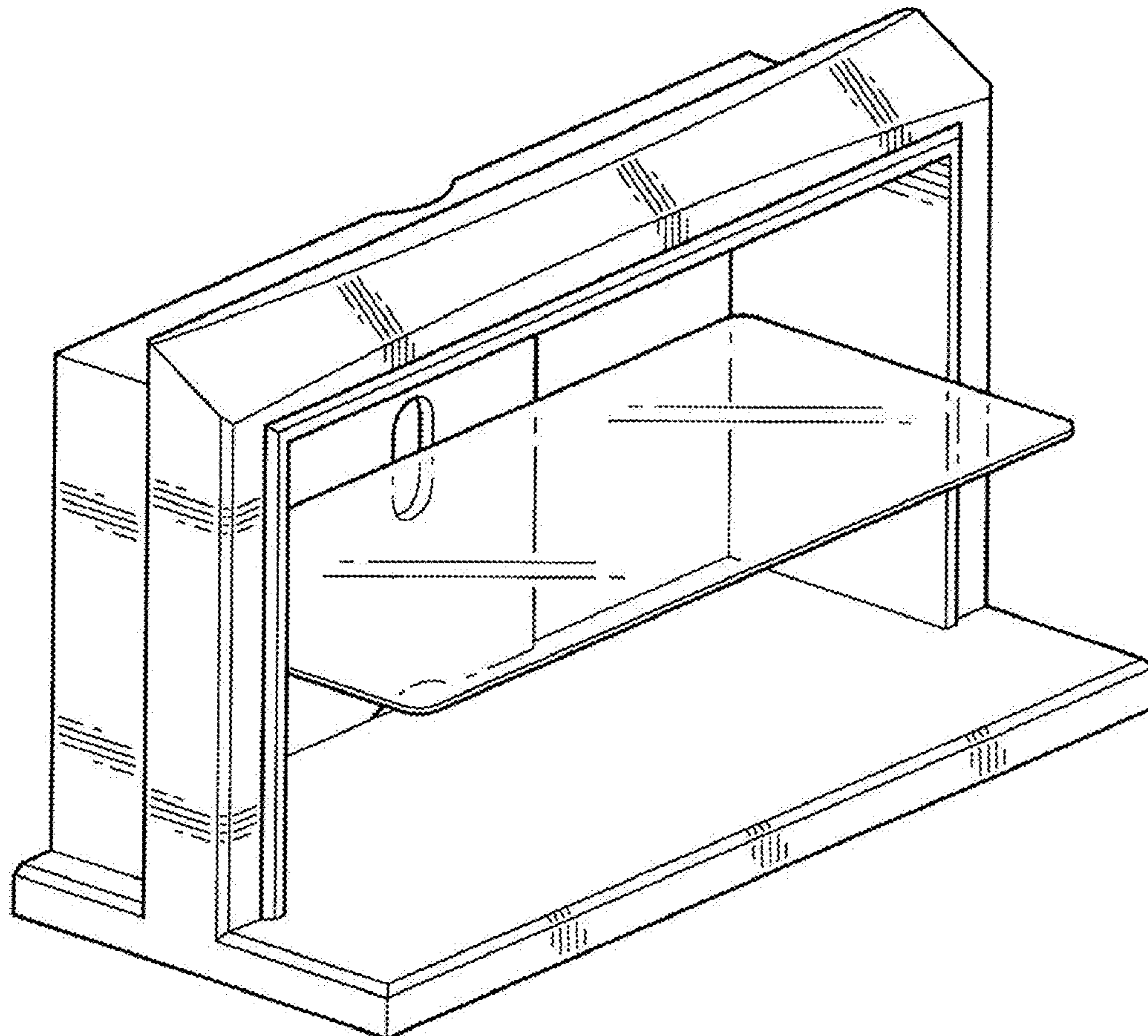
FIG. 4 is a left side elevational view thereof;

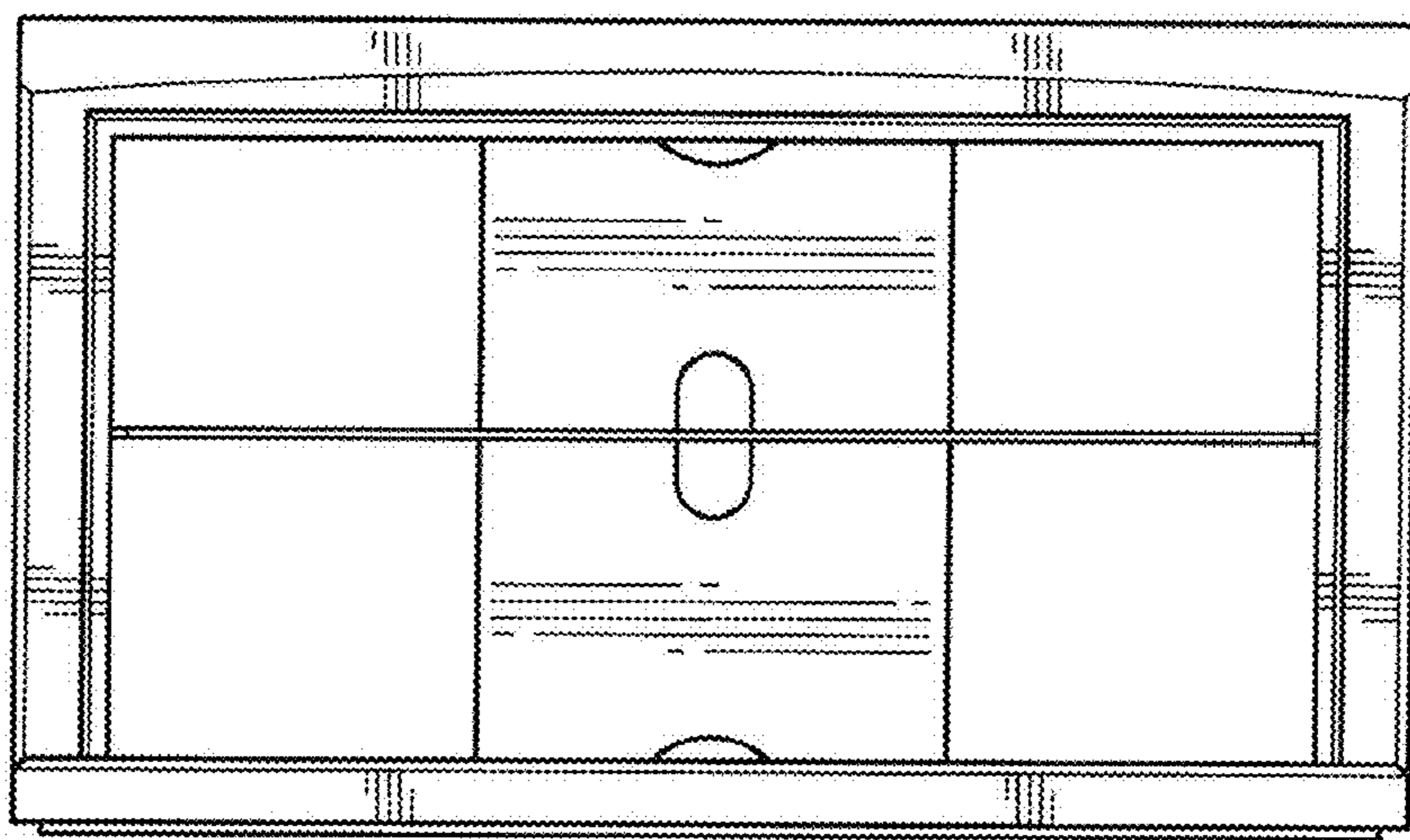
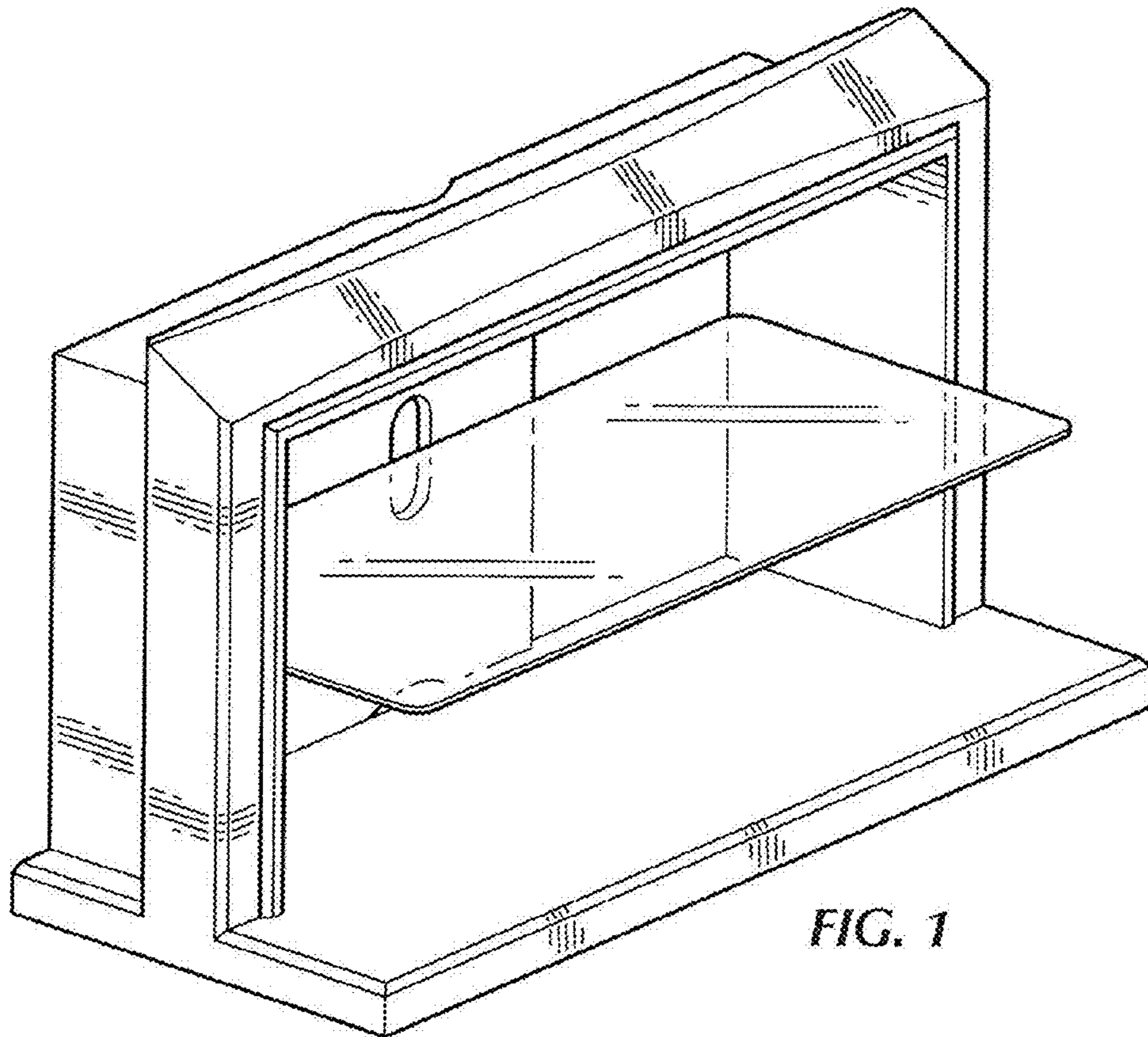
FIG. 5 is a right side elevational view thereof;

FIG. 6 is a top plan view thereof; and,

FIG. 7 is a bottom view thereof.

1 Claim, 3 Drawing Sheets





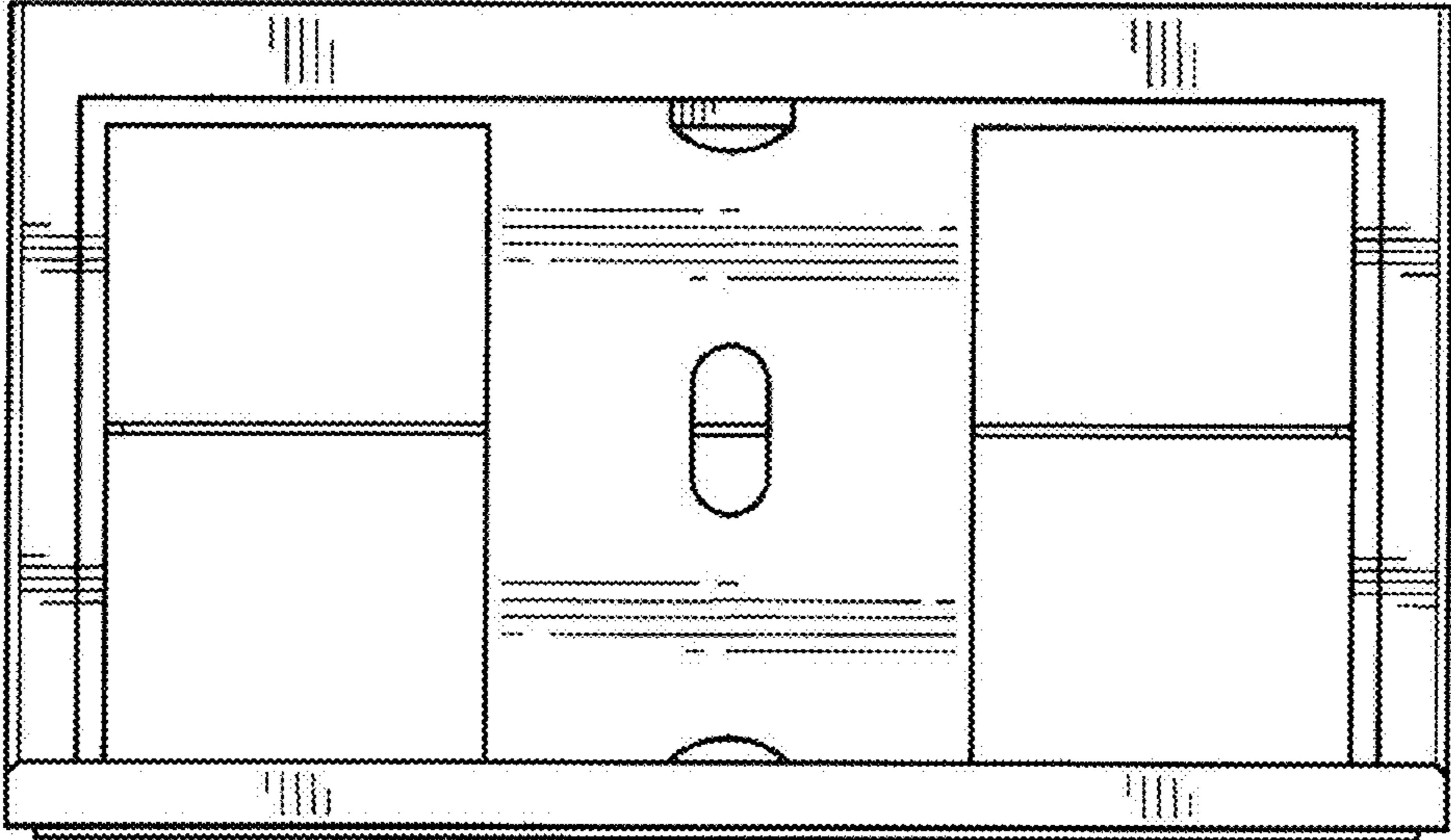


FIG. 3

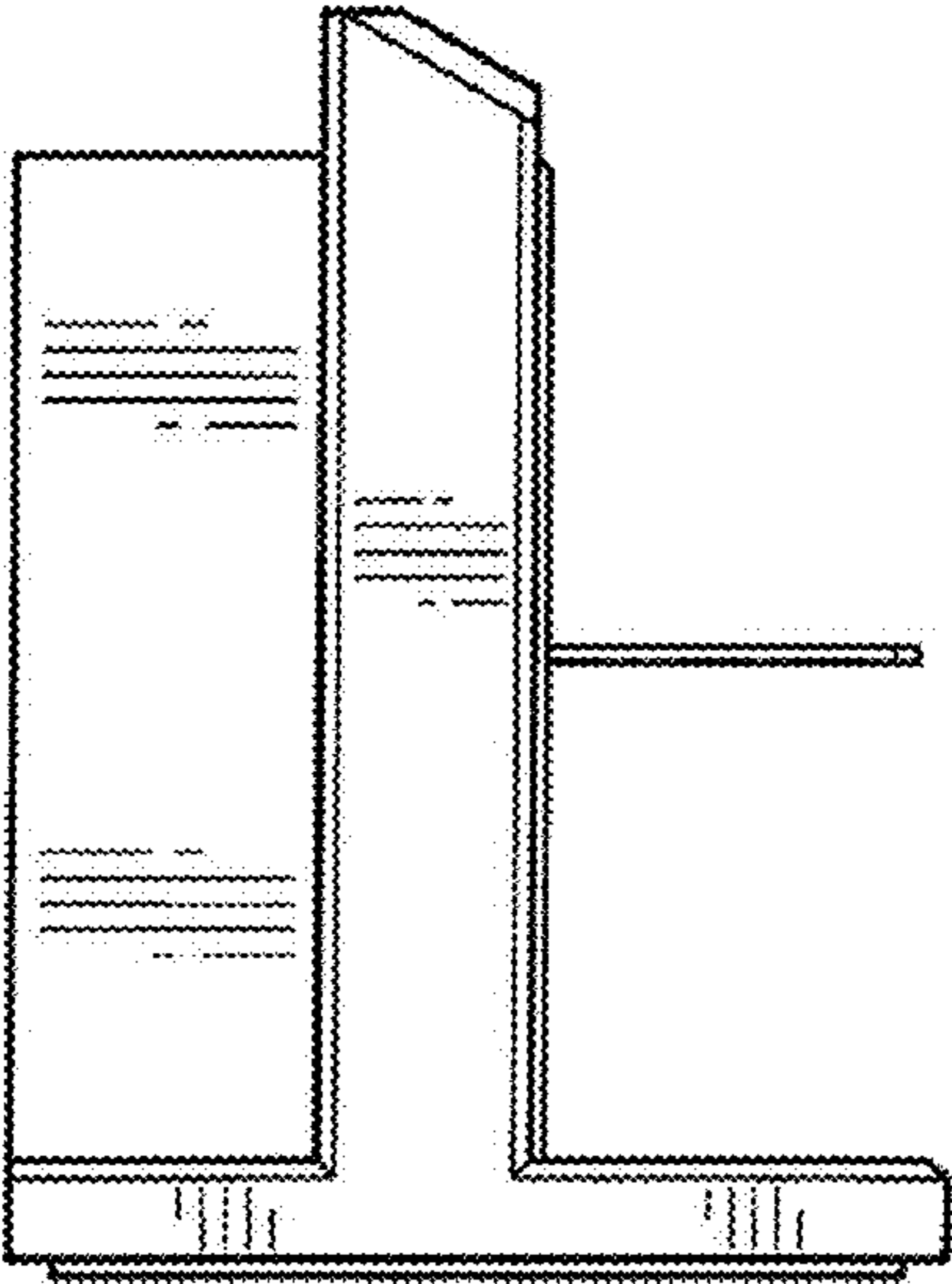


FIG. 4

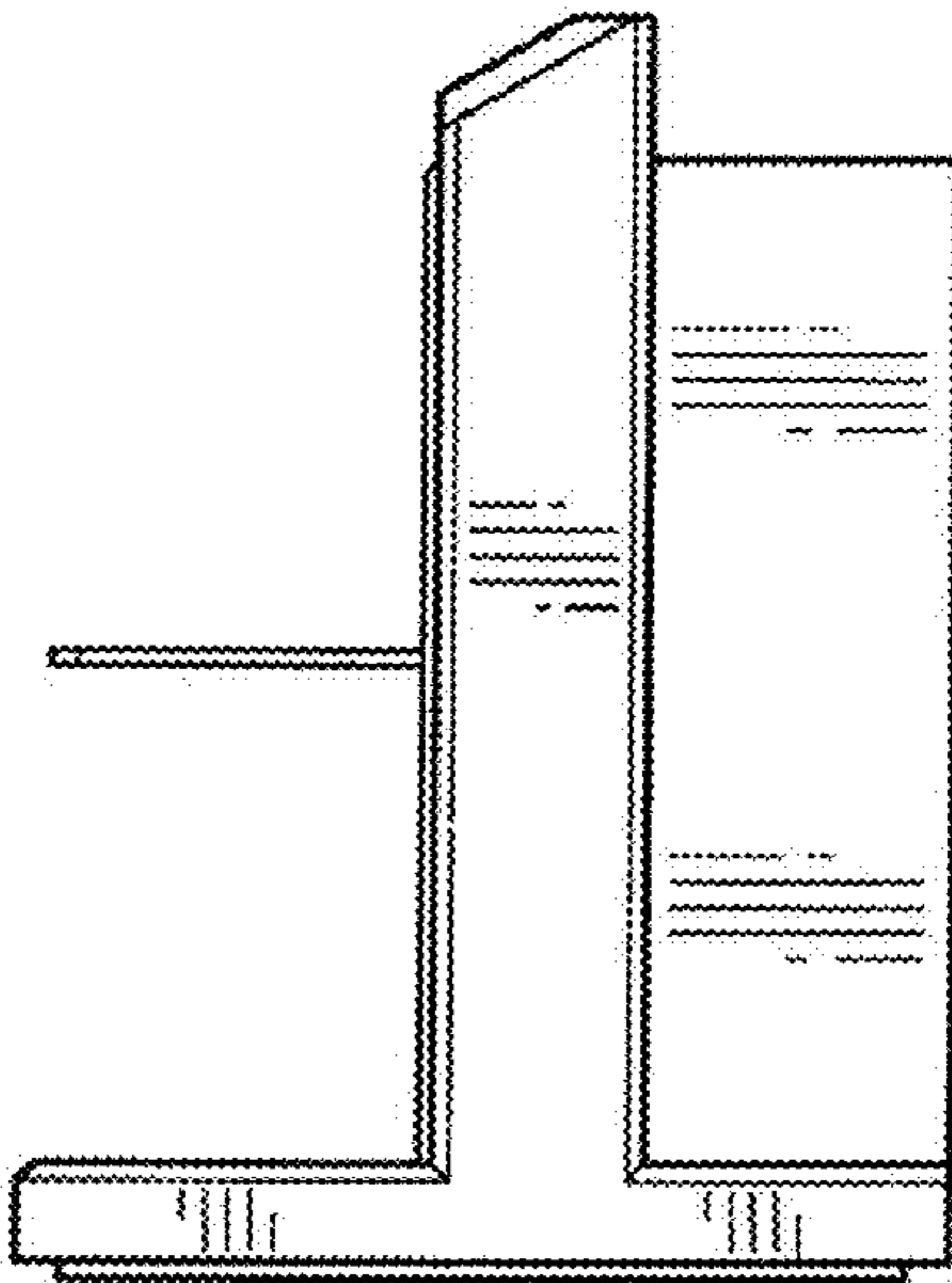


FIG. 5

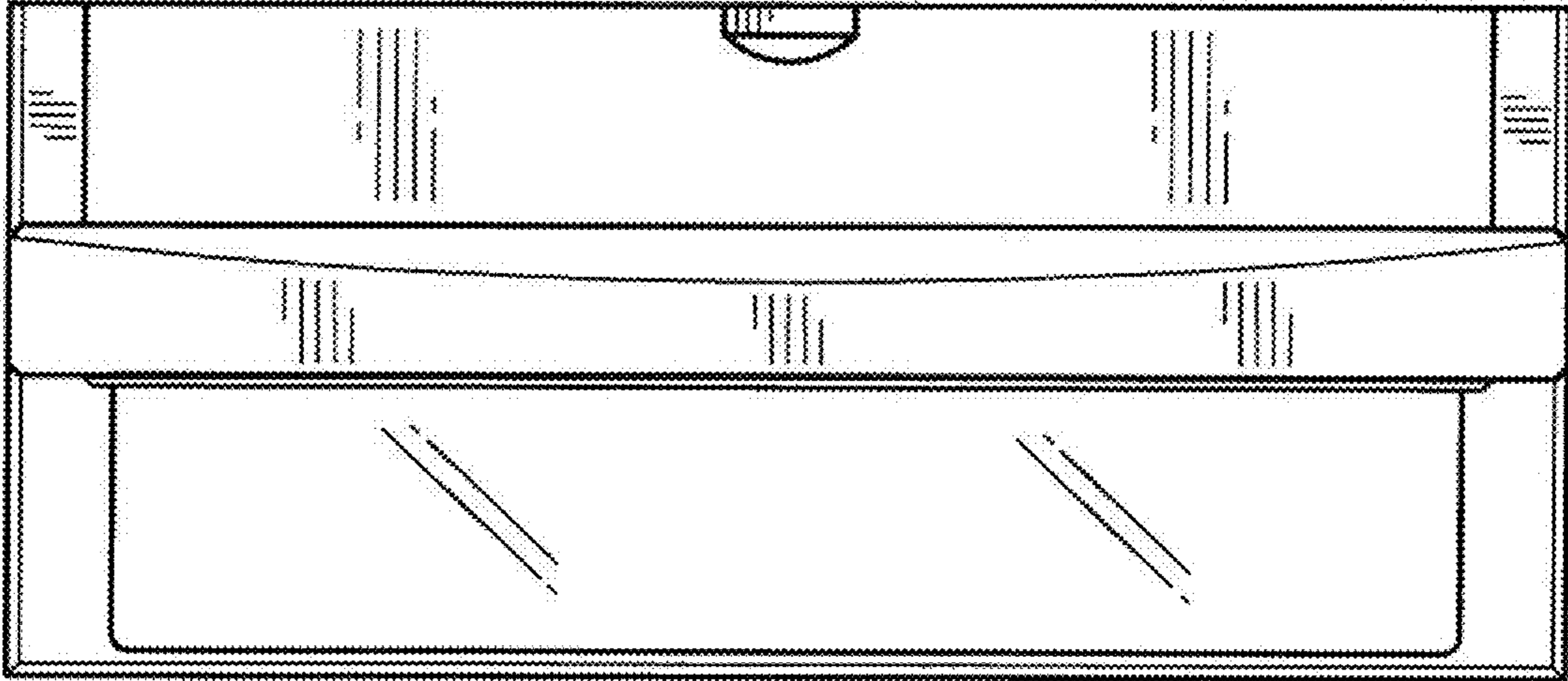


FIG. 6

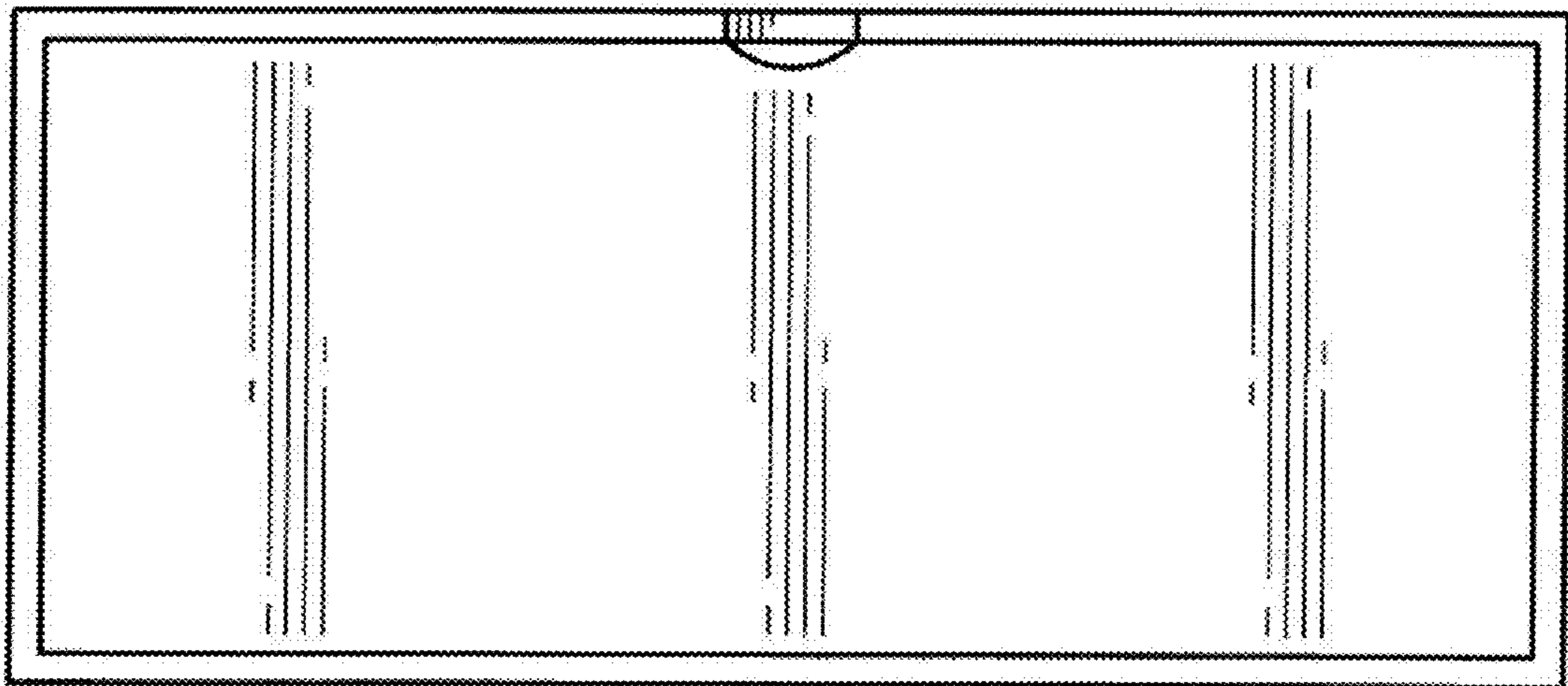


FIG. 7