



US00D647329S

(12) **United States Design Patent**
Ward et al.

(10) **Patent No.:** **US D647,329 S**

(45) **Date of Patent:** **** Oct. 25, 2011**

(54) **ROOM DIVIDER**

(76) Inventors: **James V. Ward**, Munhall, PA (US);
Donna J. Ward, Munhall, PA (US)

(**) Term: **14 Years**

(21) Appl. No.: **29/370,762**

(22) Filed: **Sep. 1, 2010**

(51) **LOC (9) Cl.** **06-06**

(52) **U.S. Cl.** **D6/477**

(58) **Field of Classification Search** D6/460-461,
D6/468, 474, 477-479, 509, 511; 211/42,
211/85, 87.01, 90.01, 107, 111, 119.003,
211/134, 153, 175, 186, 189, 192, 201; 108/11,
108/59, 65, 91-92, 96, 137

See application file for complete search history.

(56) **References Cited**

U.S. PATENT DOCUMENTS

2,366,677	A	1/1945	Rosenthal	
2,481,671	A	9/1949	John et al.	
3,069,216	A	12/1962	Vaeth	
3,379,315	A *	4/1968	Broadwin	211/72
D213,886	S *	4/1969	Jensen	D6/448
3,612,289	A	10/1971	Zink	
4,153,311	A	5/1979	Takahashi	
4,181,352	A *	1/1980	Bumpus	297/3
4,267,998	A	5/1981	Weirich	

4,562,776	A	1/1986	Miranda	
4,582,002	A	4/1986	Wright	
4,807,539	A	2/1989	Del Castillo von Haucke	
D318,584	S *	7/1991	Rouso	D6/479
D399,710	S *	10/1998	Brown	D7/708
6,148,736	A *	11/2000	Erbs	108/27
6,532,878	B2	3/2003	Tidemann	
6,615,999	B1	9/2003	Culp	
D497,063	S *	10/2004	Dardashti	D6/479
D507,428	S	7/2005	Weatherly	
D517,351	S *	3/2006	Frey	D6/479
2006/0209815	A1	9/2006	Castro-Estevez et al.	

* cited by examiner

Primary Examiner — Elizabeth A Albert

Assistant Examiner — Kelley A Donnelly

(57) **CLAIM**

The ornamental design for a room divider, as shown and described.

DESCRIPTION

FIG. 1 is a right front perspective view of a room divider showing my new design;

FIG. 2 is a front elevation view thereof;

FIG. 3 is a rear elevation view thereof;

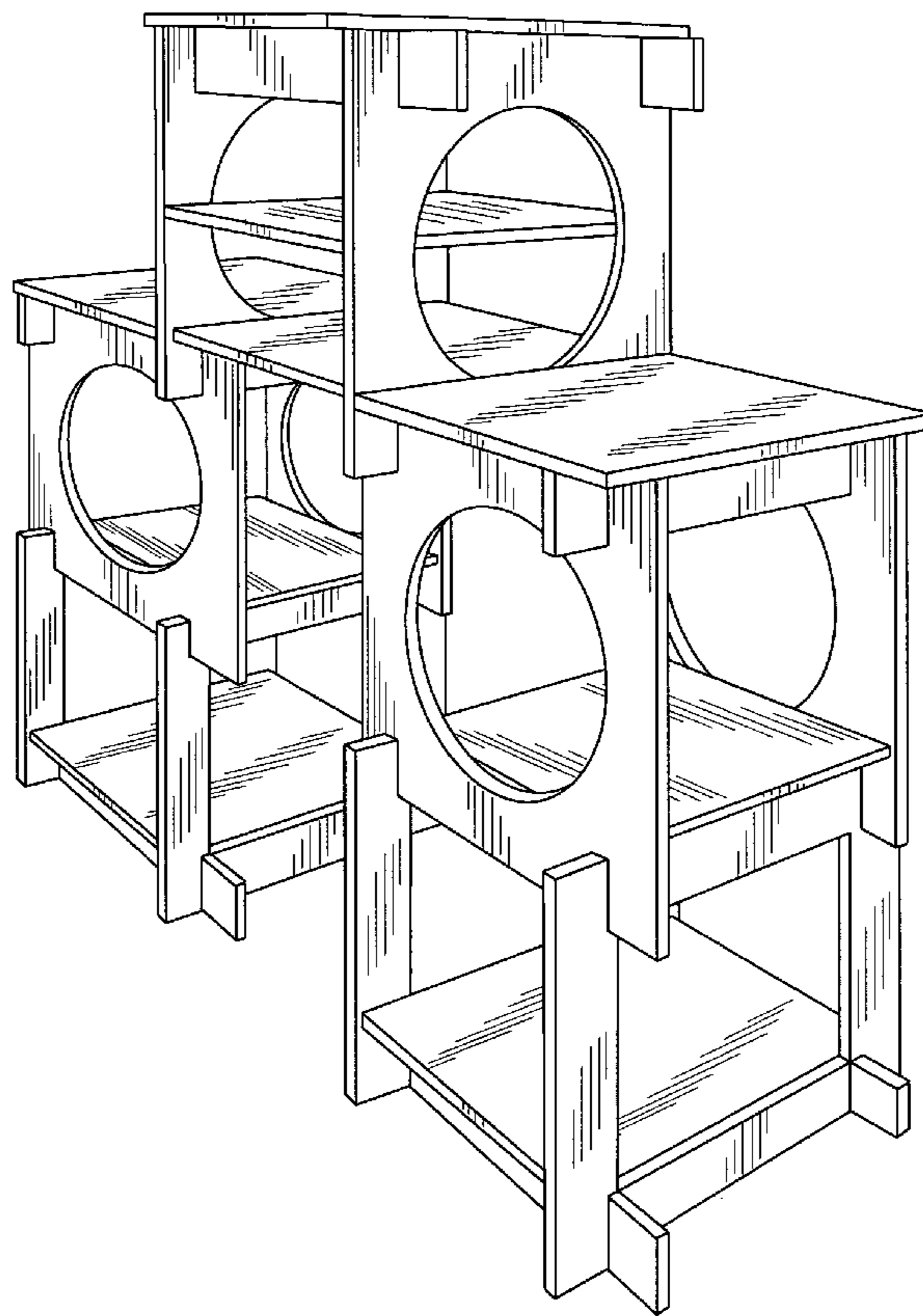
FIG. 4 is a left side elevation view thereof;

FIG. 5 is a right side elevation view thereof;

FIG. 6 is a top plan view thereof; and,

FIG. 7 is a bottom plan view thereof.

1 Claim, 5 Drawing Sheets



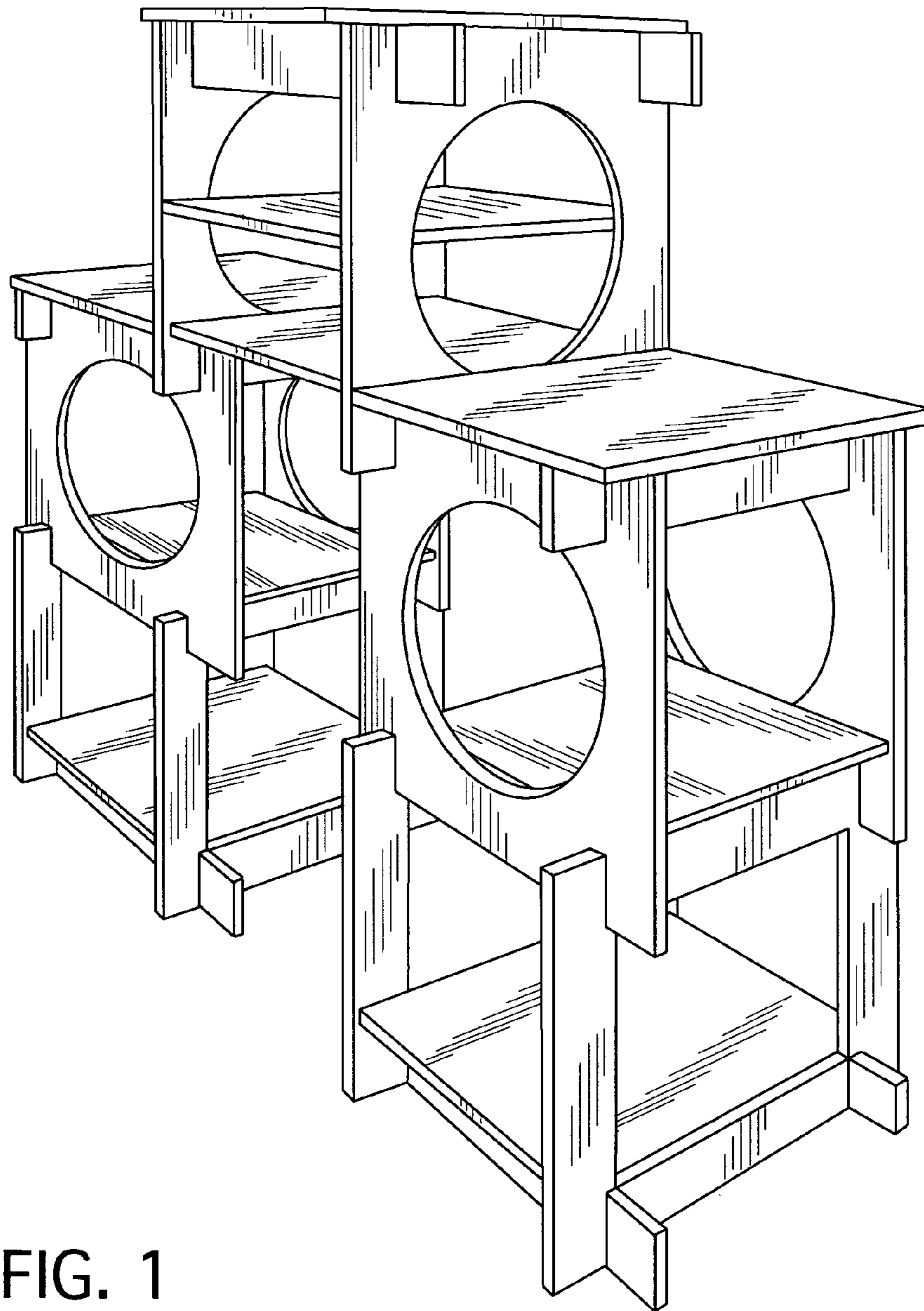


FIG. 1

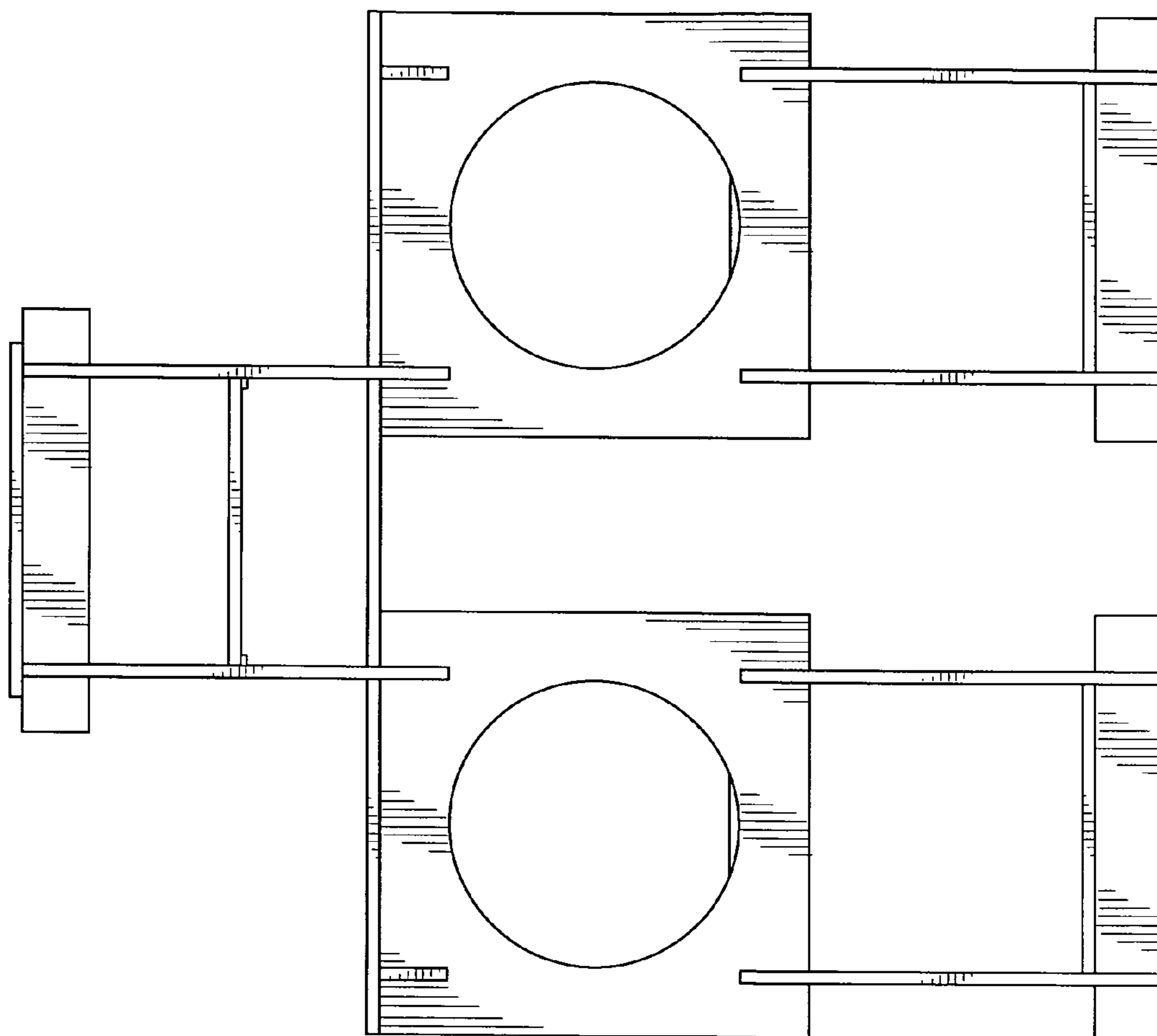


FIG. 2

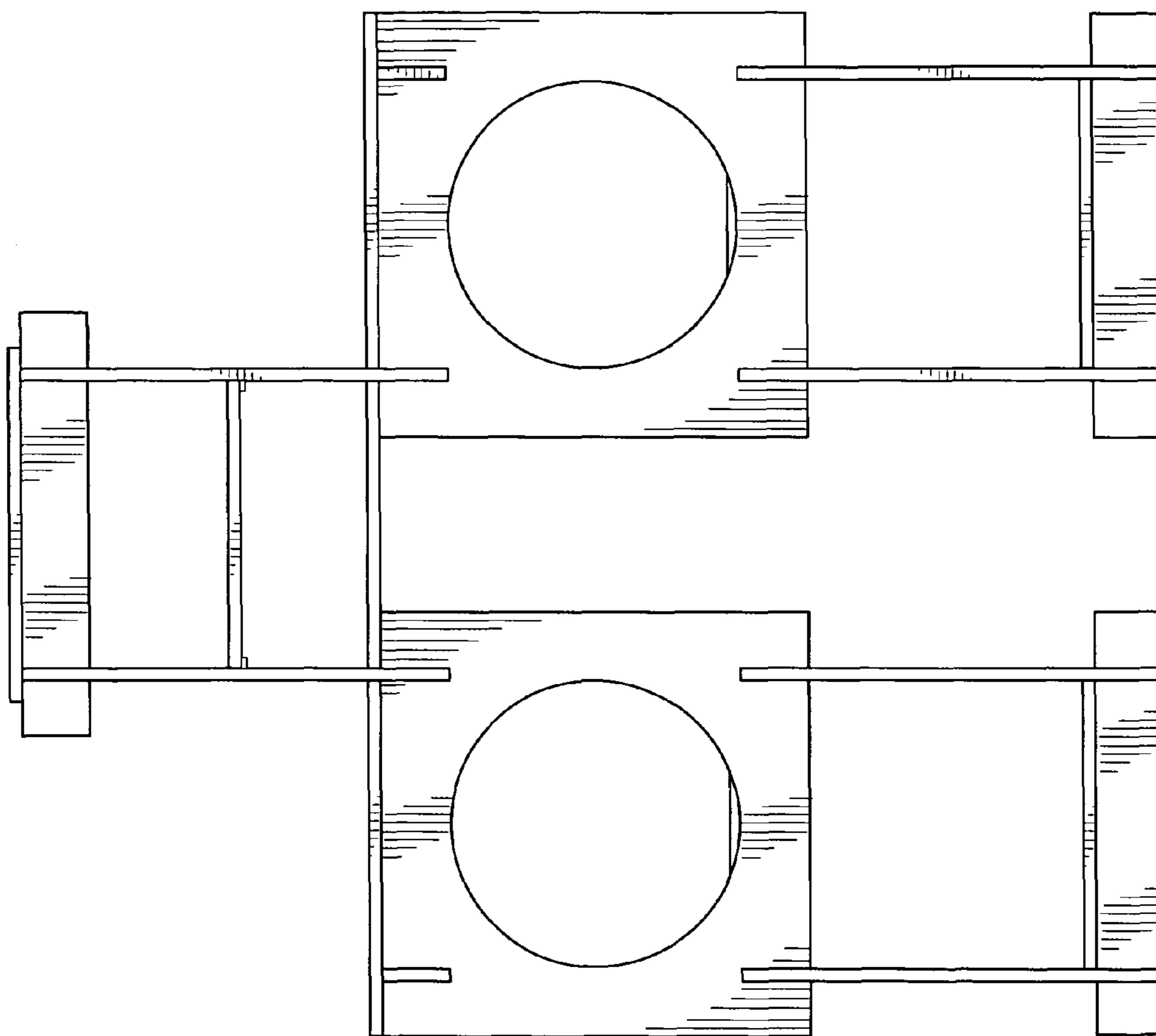


FIG. 3

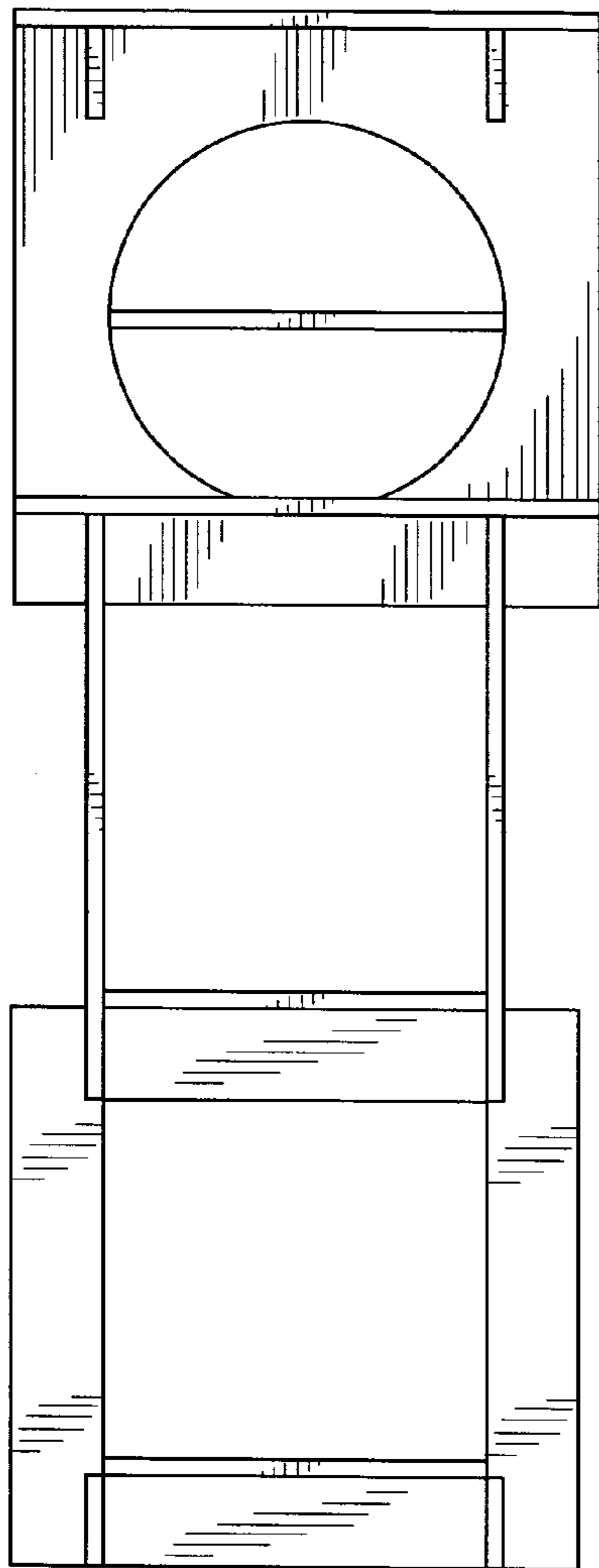


FIG. 4

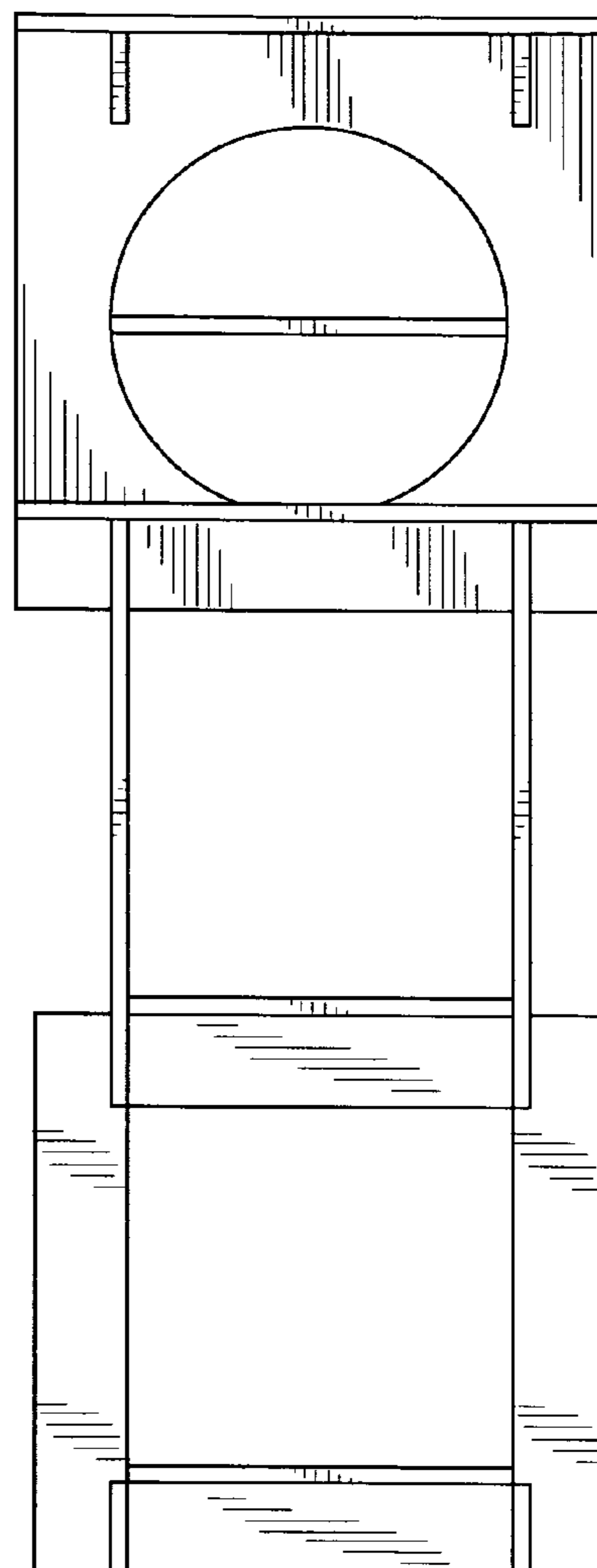


FIG. 5

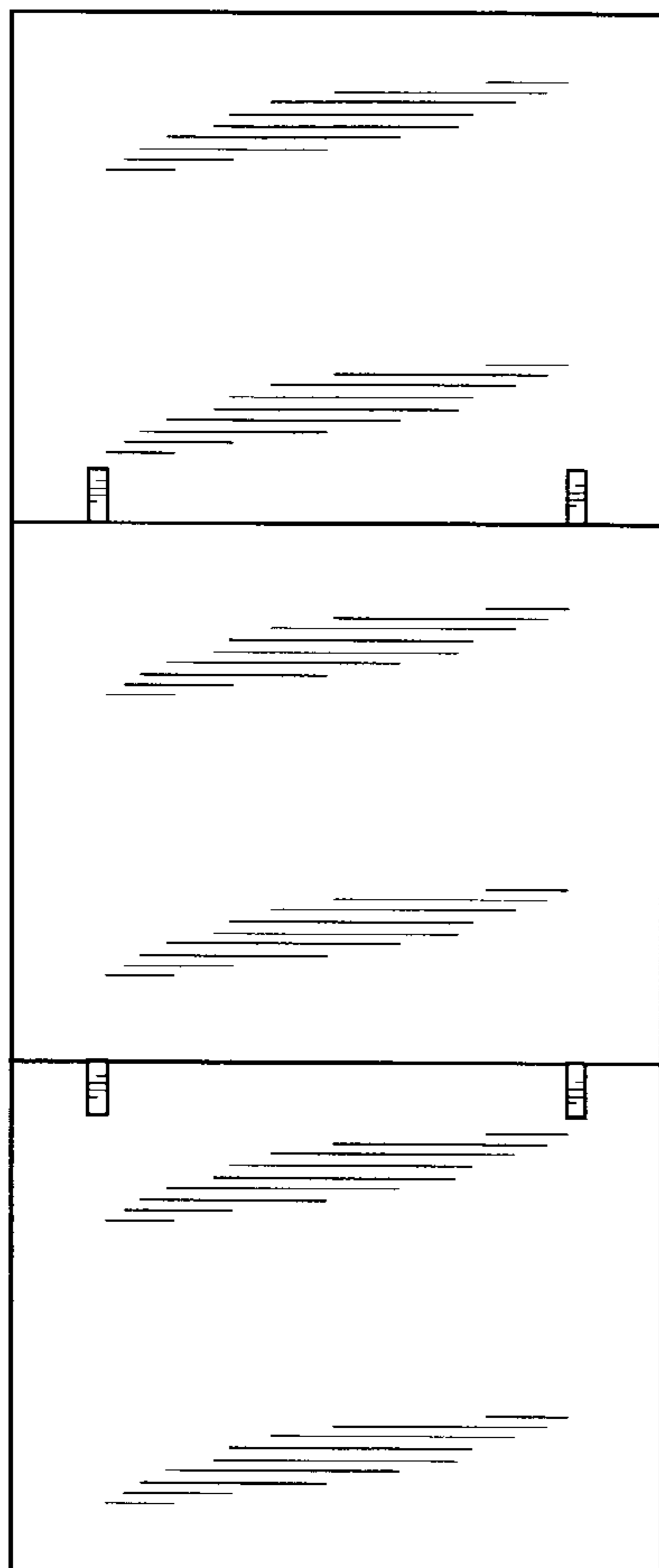


FIG. 6

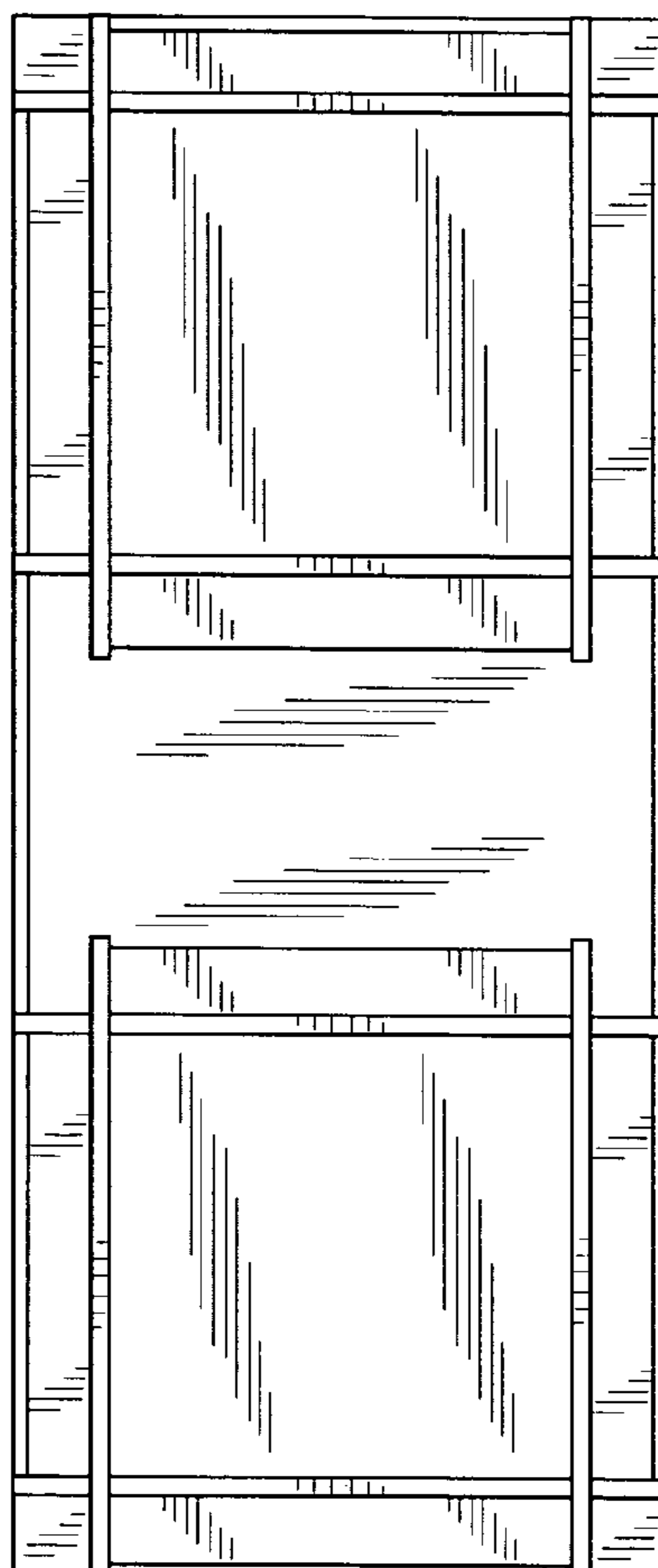


FIG. 7