



US00D647327S

(12) **United States Design Patent**  
**Levin et al.**

(10) **Patent No.:** **US D647,327 S**  
(45) **Date of Patent:** **\*\* Oct. 25, 2011**

(54) **BAG RACK**

(75) Inventors: **Gregg M. Levin**, Boston, MA (US);  
**Guang Yu Gao**, Malden, MA (US); **Roy A. Rudder**, Dorchester, MA (US);  
**Michael C. Kowalski**, Boston, MA (US)

(73) Assignee: **Perfect Curve, Inc.**, Boston, MA (US)

(\*\*) Term: **14 Years**

(21) Appl. No.: **29/310,699**

(22) Filed: **Sep. 5, 2008**

(51) **LOC (9) Cl.** ..... **06-04**

(52) **U.S. Cl.** ..... **D6/468**

(58) **Field of Classification Search** ..... D6/396,  
D6/405, 407, 449, 455, 457-464, 466-468,  
D6/474, 476, 479, 509, 514, 410-411, 512,  
D6/310, 418, 553; 211/13.1, 41.1, 49.1,  
211/50, 126.2, 126.3, 134, 85.3, 85.6, 85.7,  
211/18, 71.01, 187, 113, 87.01; 108/147.11,  
108/59, 92, 115; 206/278, 292, 482; 248/214,  
248/309.1

See application file for complete search history.

(56) **References Cited**

**U.S. PATENT DOCUMENTS**

D202,676 S *	10/1965	Weitzman	.....	D6/468
D401,084 S *	11/1998	Martin	.....	D6/474
D468,934 S *	1/2003	Dienstmann	.....	D6/449
D496,194 S *	9/2004	Mason	.....	D6/468
D534,376 S *	1/2007	Sparkowski	.....	D6/468
D537,655 S *	3/2007	Hessell	.....	D6/468
D573,811 S *	7/2008	Weigand	.....	D6/468

\* cited by examiner

*Primary Examiner* — Caron D Veynar

*Assistant Examiner* — Abraham Bahta

(74) *Attorney, Agent, or Firm* — William Nitkin

(57) **CLAIM**

The ornamental design for a bag rack, as shown and described.

**DESCRIPTION**

FIG. 1 is an enlarged front elevational view of a single clip mounted on a strap, being one of a plurality of identical clips used in our bag rack design as described below;

FIG. 2 is an enlarged bottom plan view of the design of this invention;

FIG. 3 is an enlarged front perspective view of a single clip mounted on a strap;

FIG. 4 is an enlarged top plan view of the design of this invention;

FIG. 5 is an enlarged rear elevational view of a single clip mounted on a strap;

FIG. 6 is an enlarged left side view of a single clip mounted on a strap;

FIG. 7A is a front perspective view of the lowest section of six continuous sections of the bag rack showing our new design;

FIG. 7B is a front perspective view of the next higher section being a continuation of the section of FIG. 7A;

FIG. 7C is a front perspective view of the next higher section being a continuation of the section of FIG. 7B;

FIG. 7D is a front perspective view of the next higher section being a continuation of the section of FIG. 7C;

FIG. 7E is a front perspective view of the next higher section being a continuation of the section of FIG. 7D;

FIG. 7F is a front perspective view of the highest section being a continuation of the section of FIG. 7E;

FIG. 8A is a rear perspective view of the lowest section of six continuous sections of the bag rack showing our new design;

FIG. 8B is a rear perspective view of the next higher section being a continuation of the section of FIG. 7A;

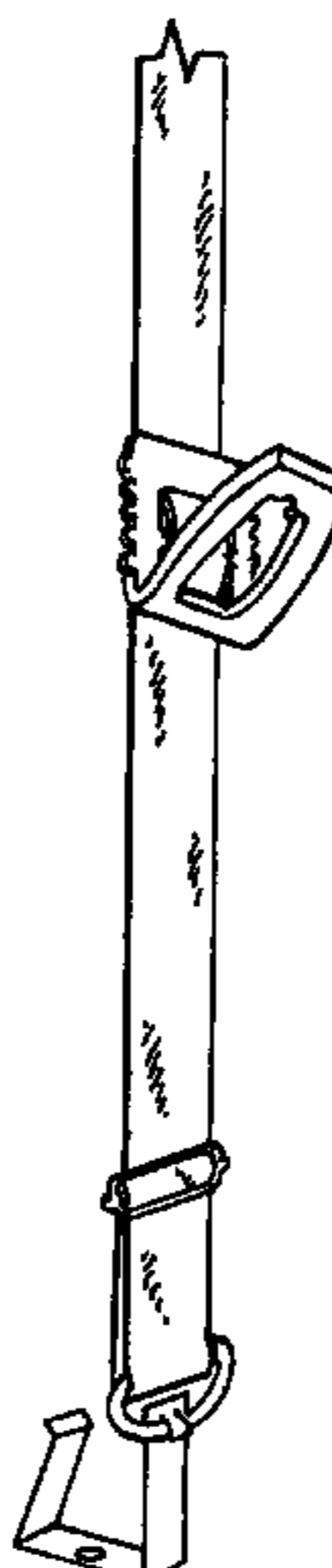
FIG. 8C is a rear perspective view of the next higher section being a continuation of the section of FIG. 7B;

FIG. 8D is a rear perspective view of the next higher section being a continuation of the section of FIG. 7C;

FIG. 8E is a rear perspective view of the next higher section being a continuation of the section of FIG. 7D; and,

FIG. 8F is a rear perspective view of the highest section being a continuation of the section of FIG. 7E.

**1 Claim, 14 Drawing Sheets**



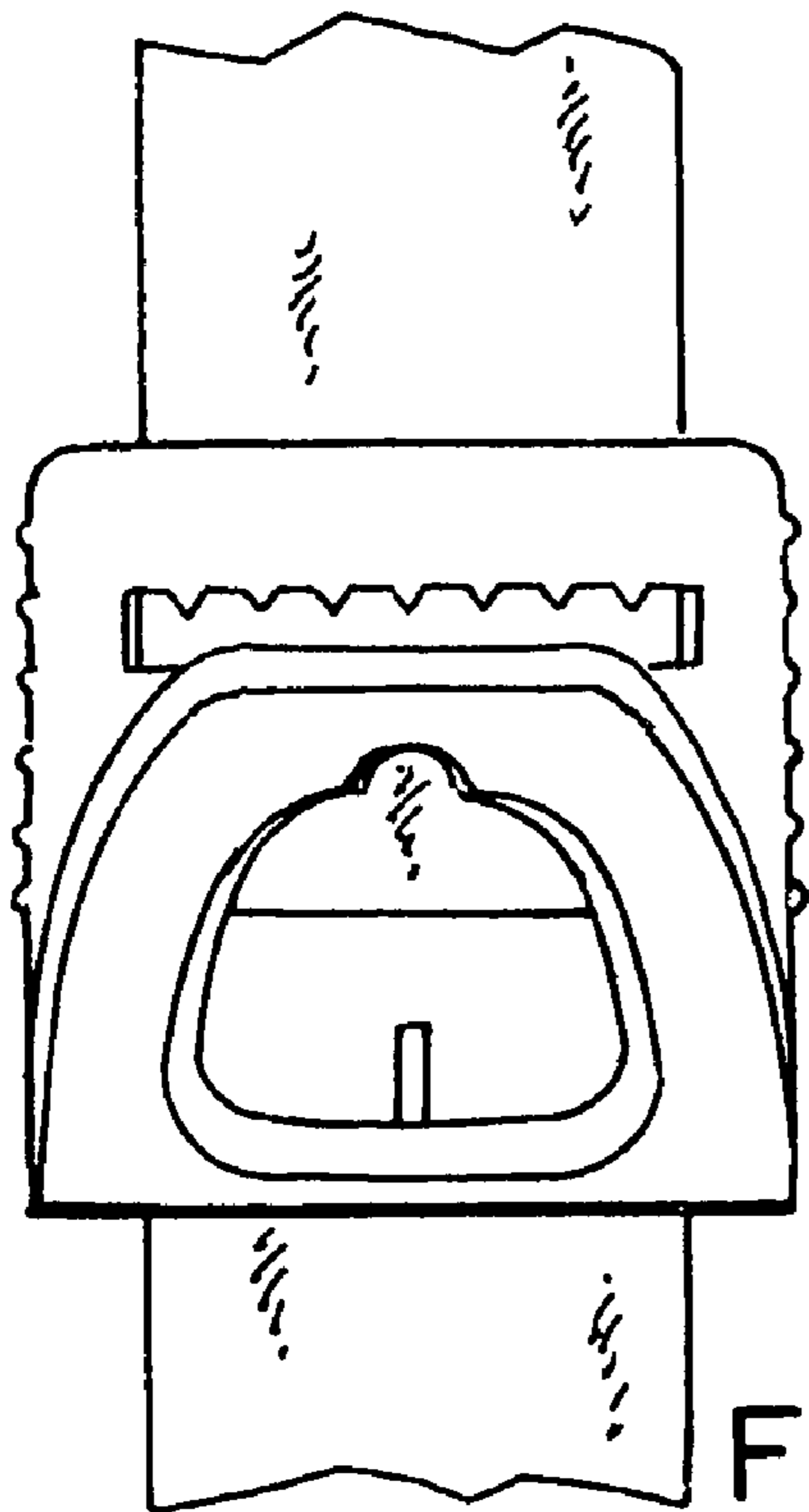


FIG. 1

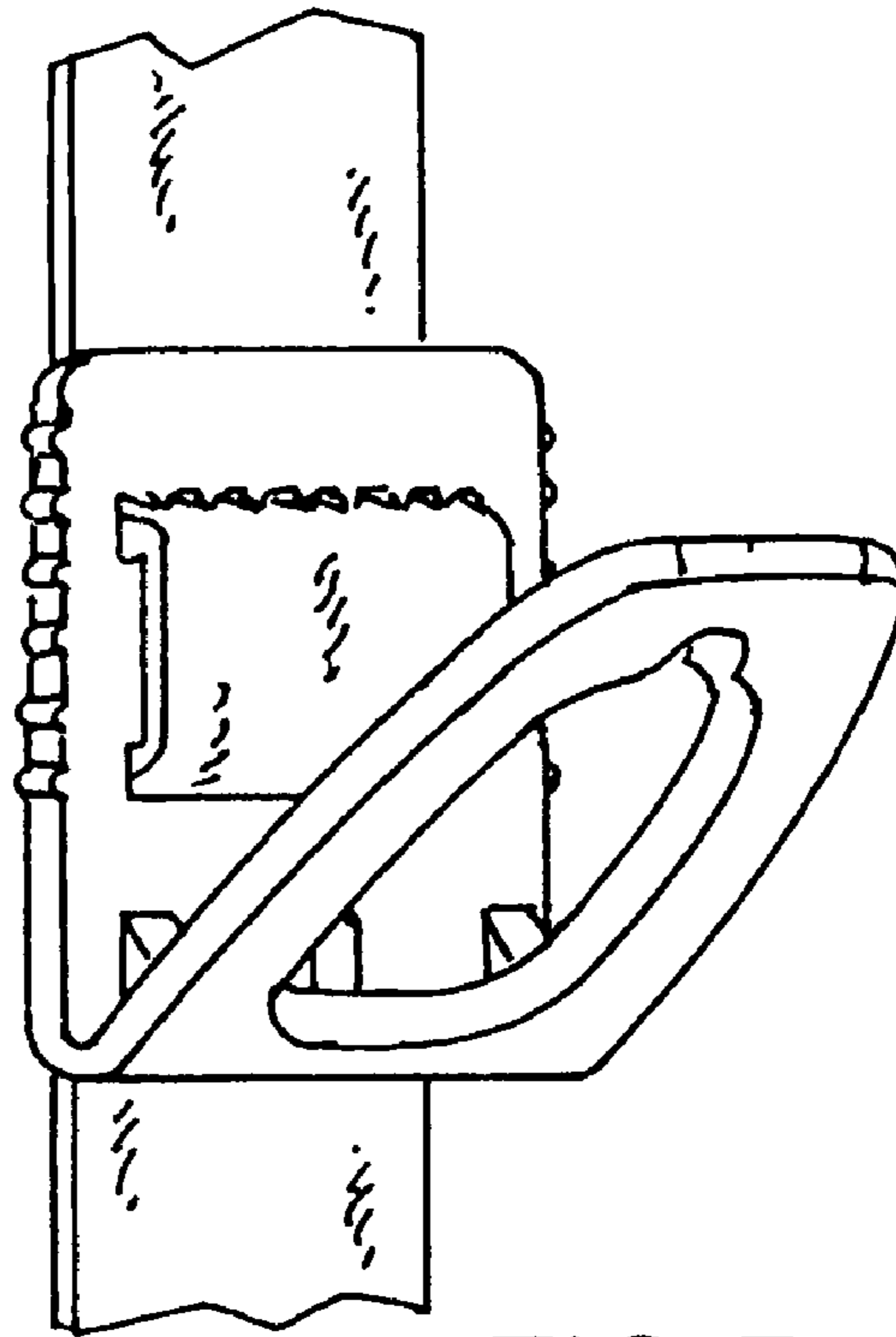


FIG. 3

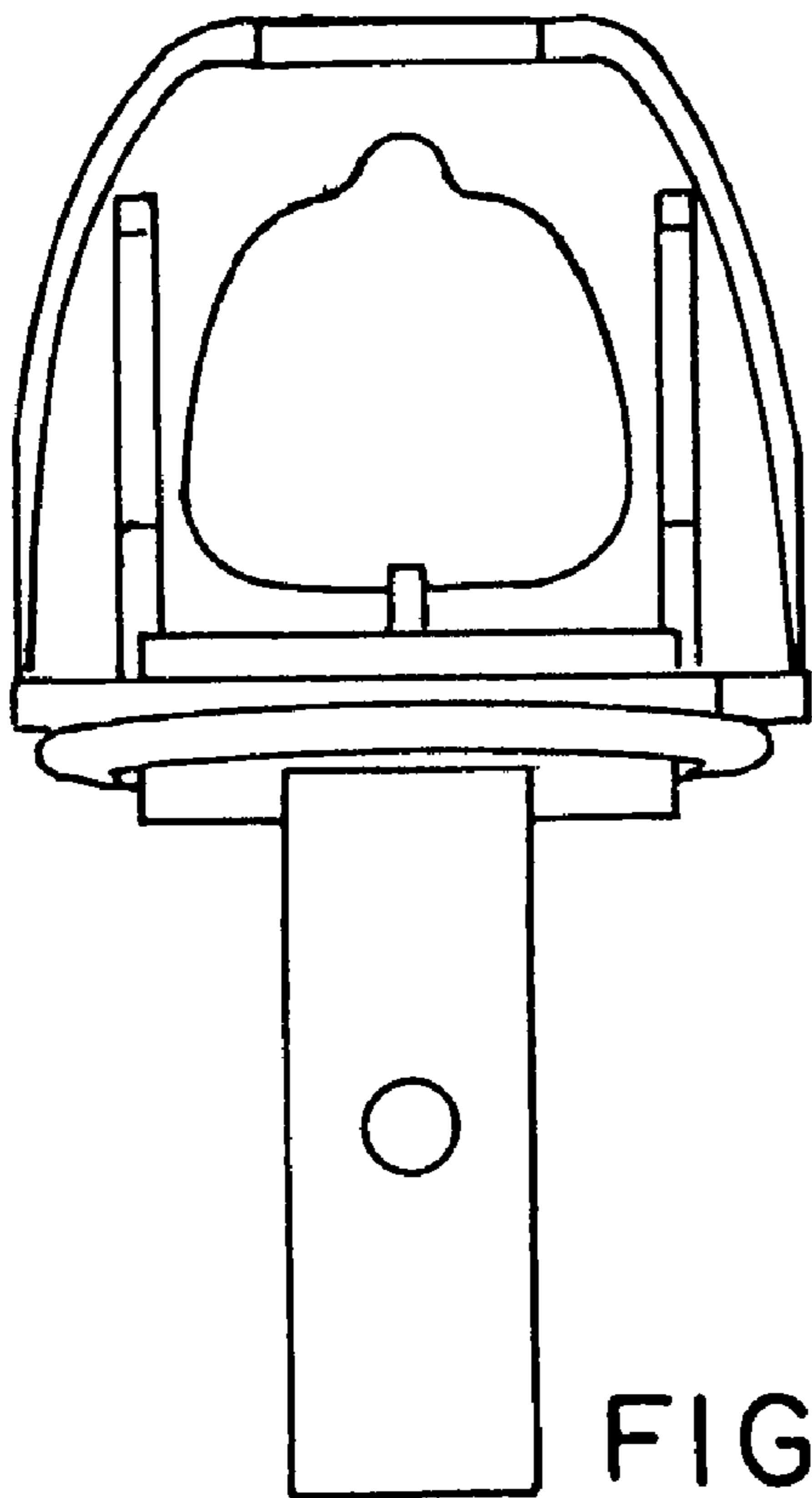


FIG. 2

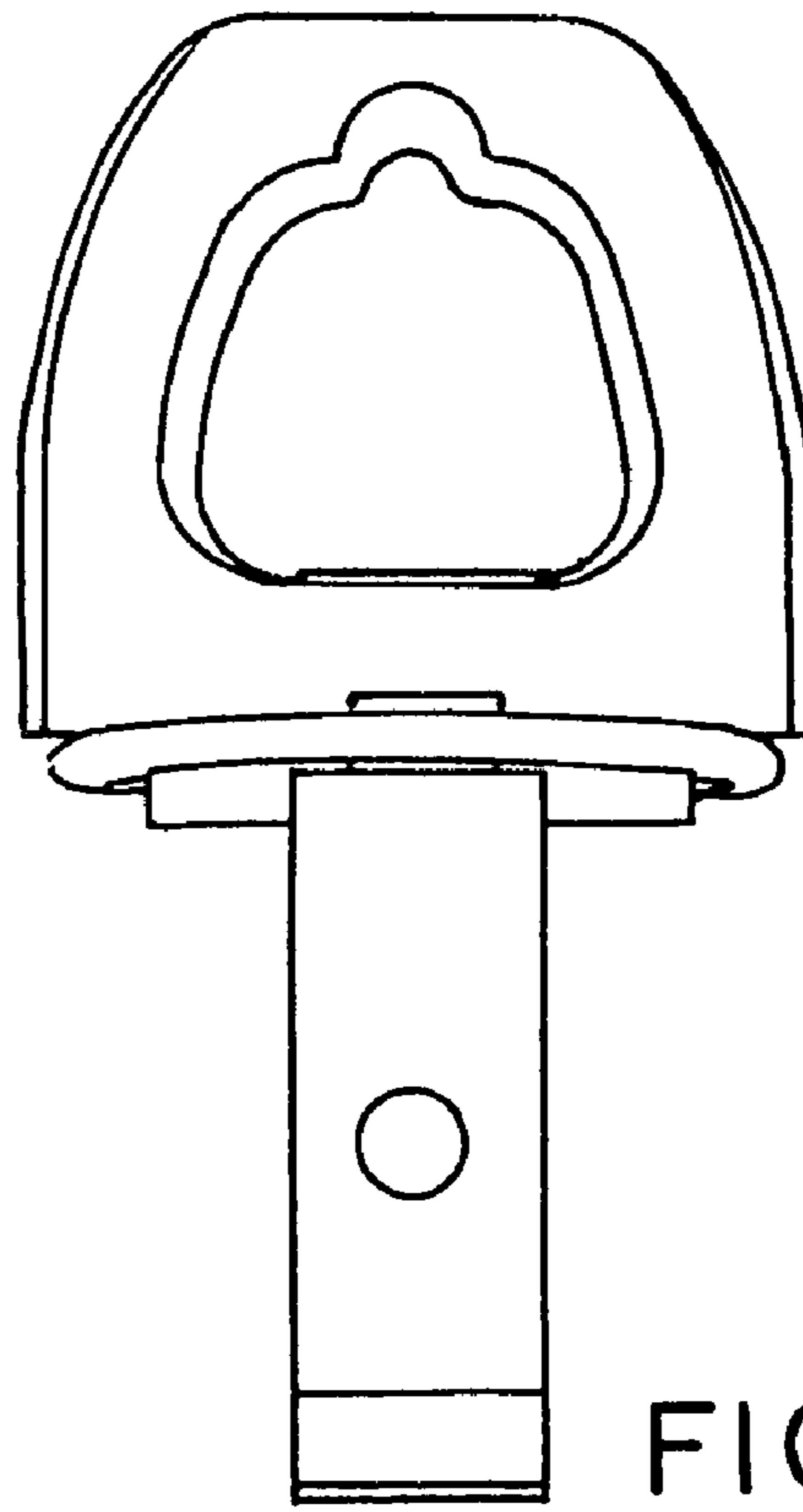


FIG. 4

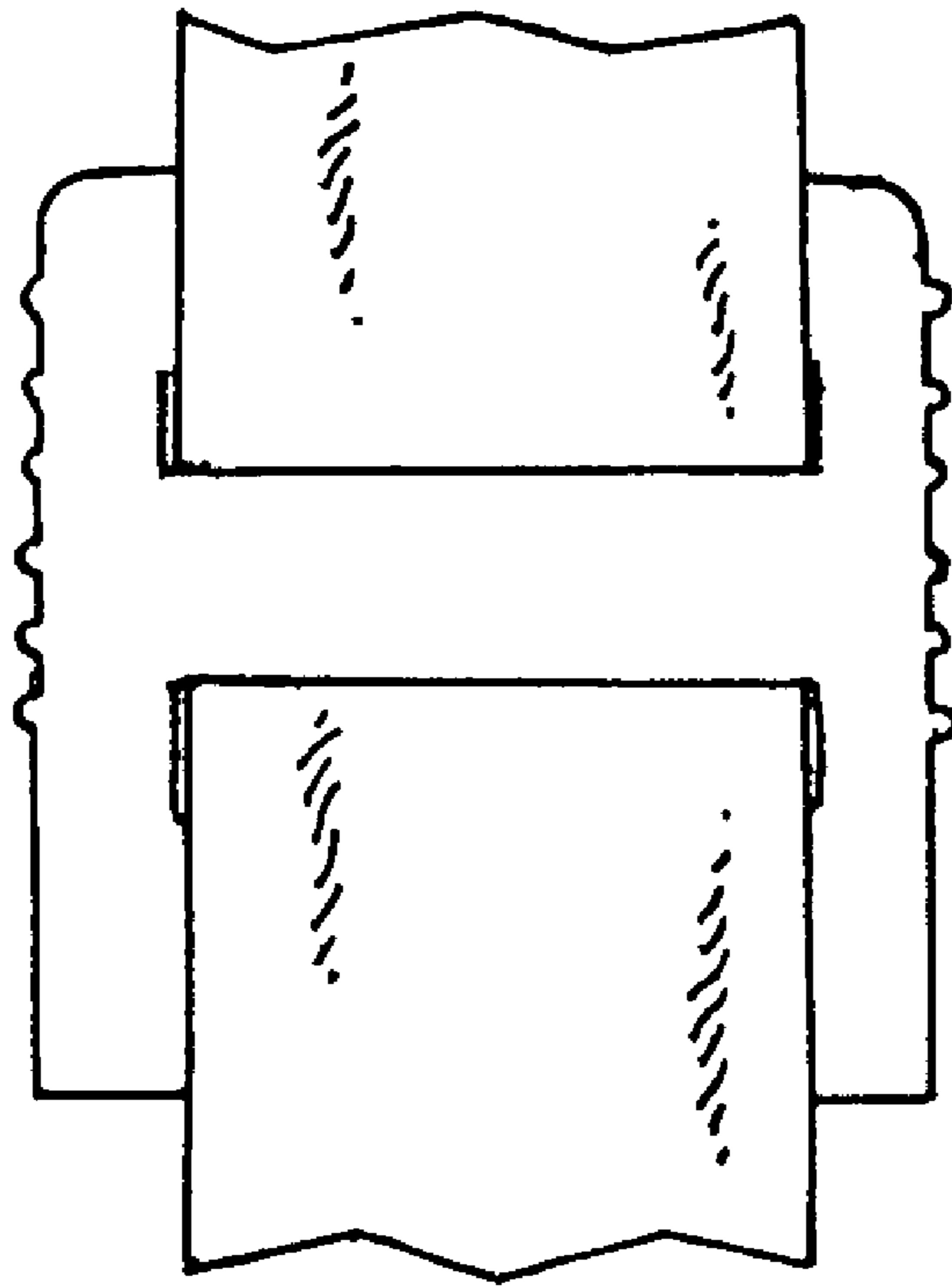


FIG. 5

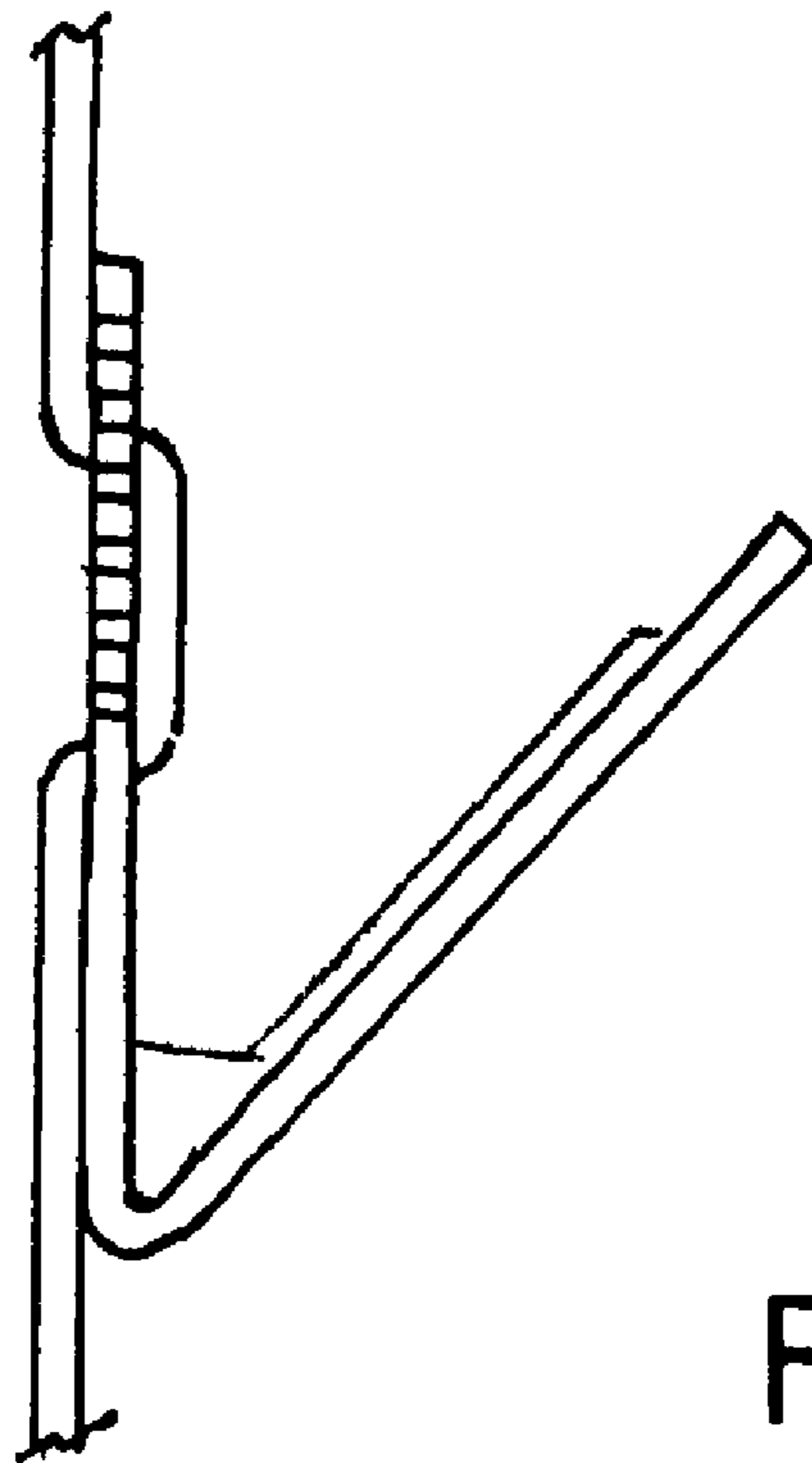


FIG. 6

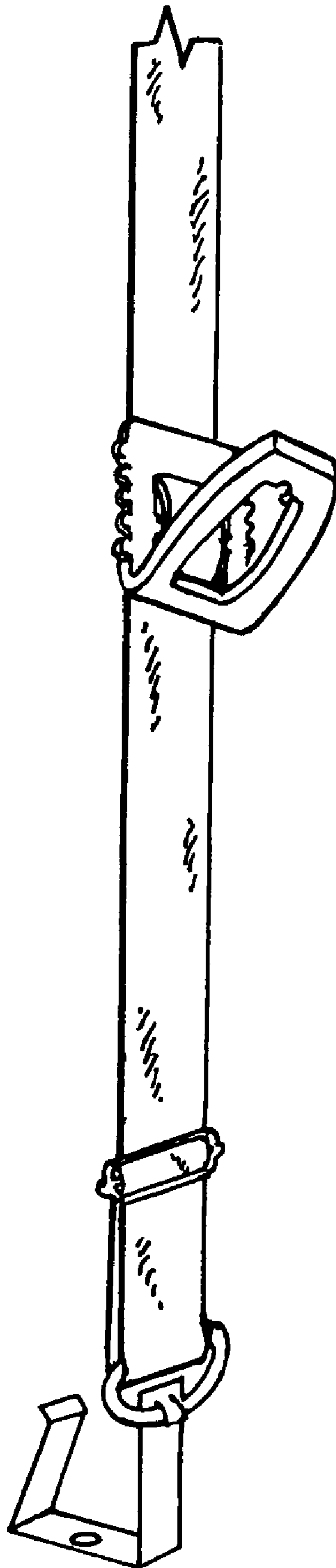


FIG. 7 A

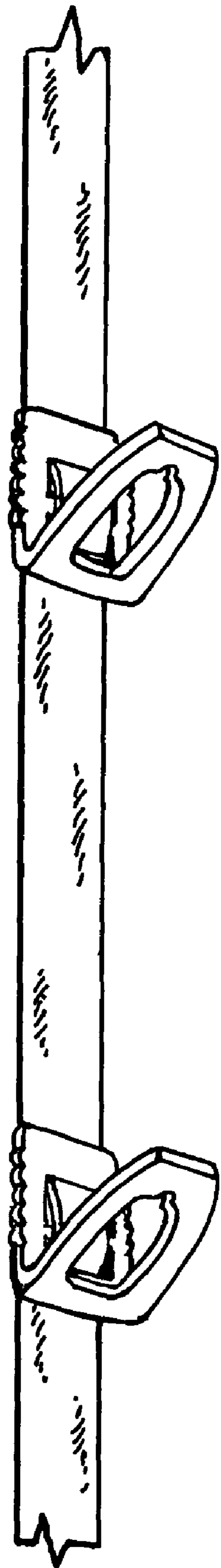


FIG. 7B

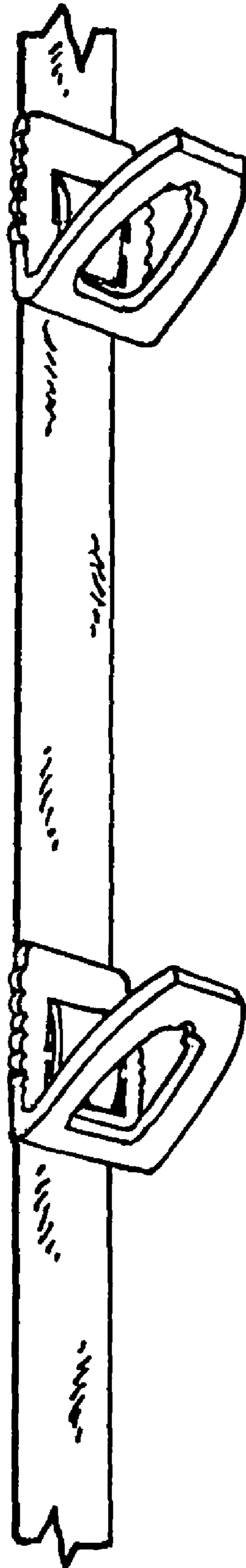


FIG. 7C

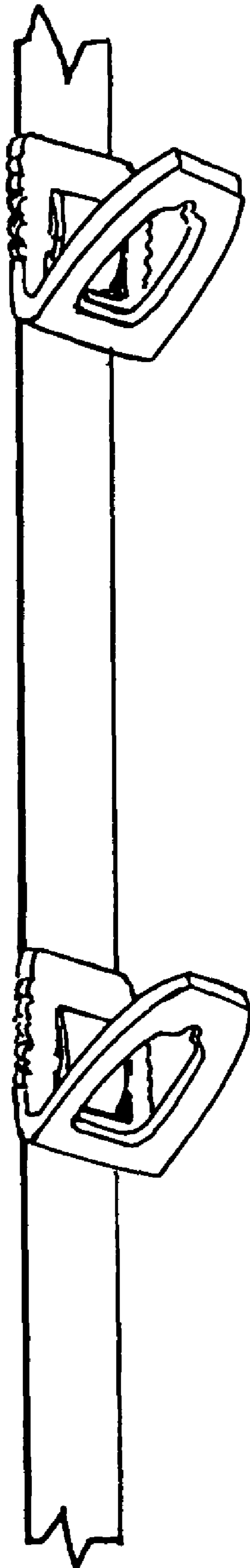


FIG. 7D

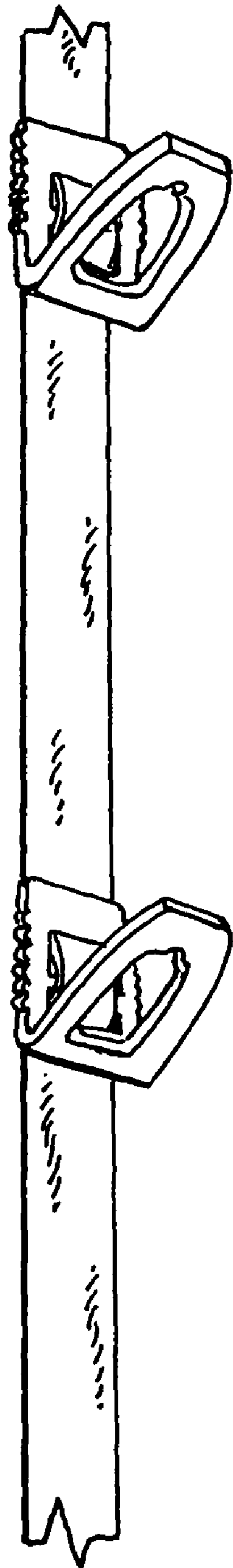


FIG. 7E



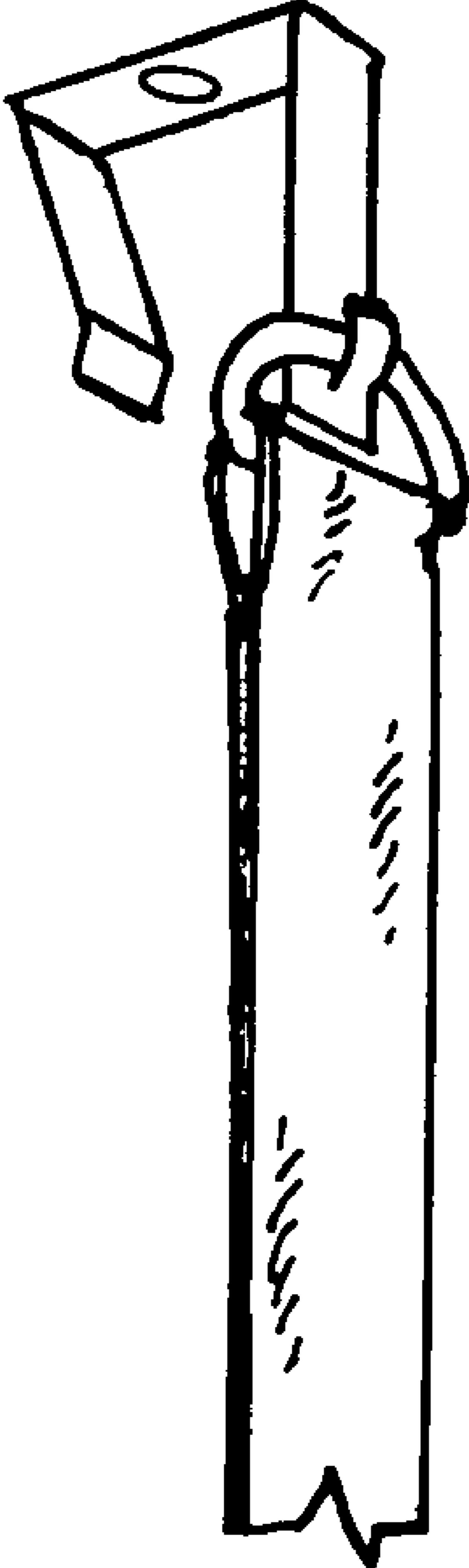


FIG. 7F

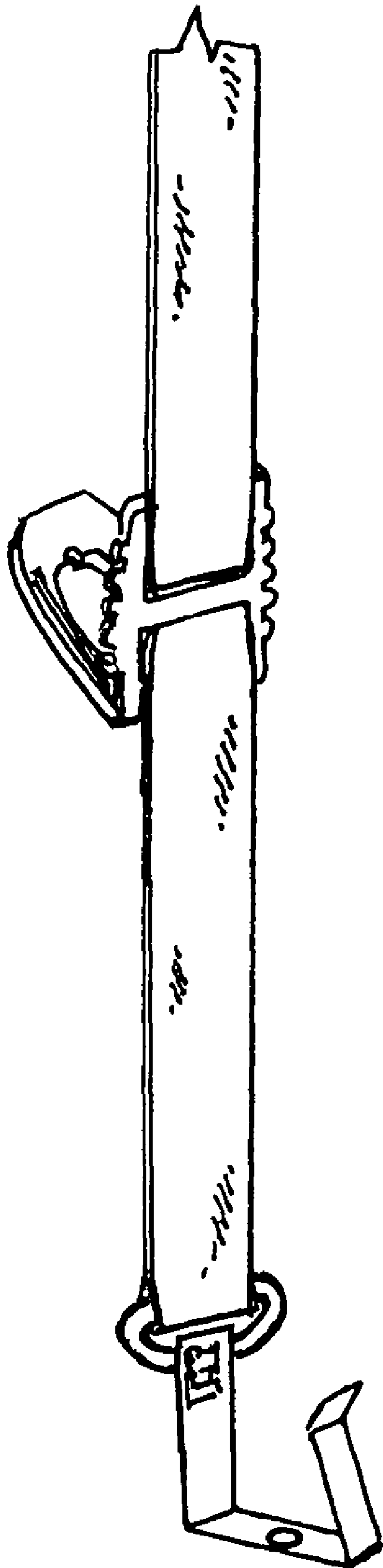


FIG. 8A

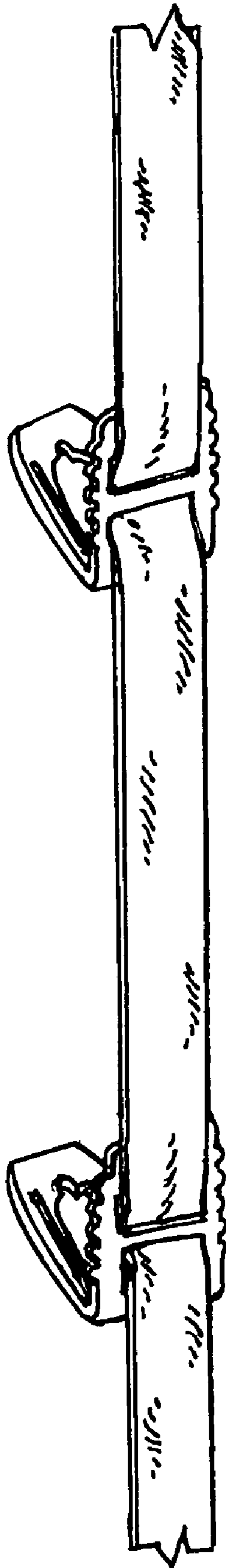


FIG. 8B

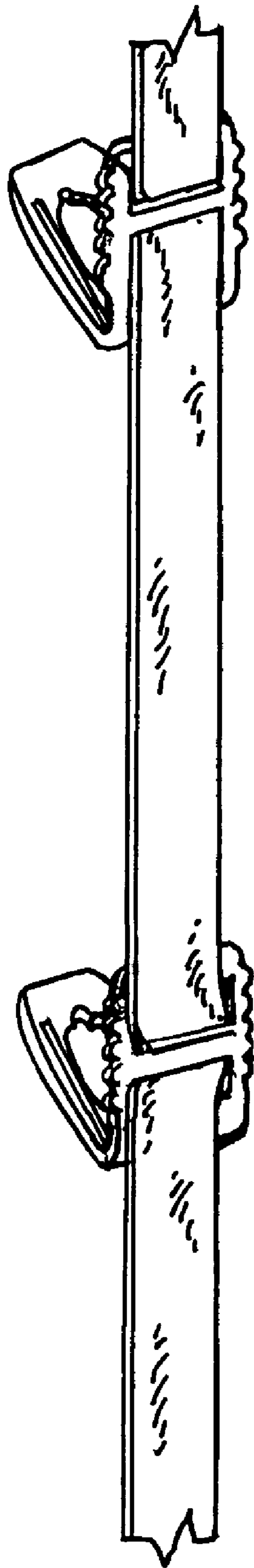


FIG. 8C

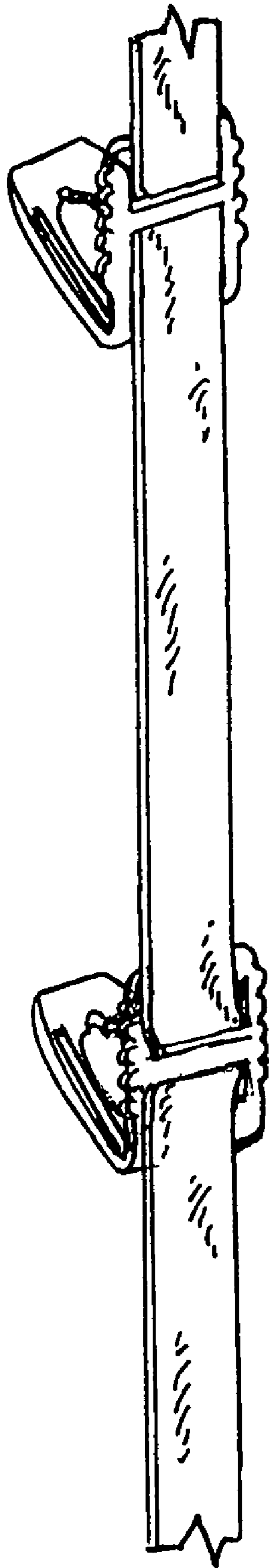


FIG. 8D

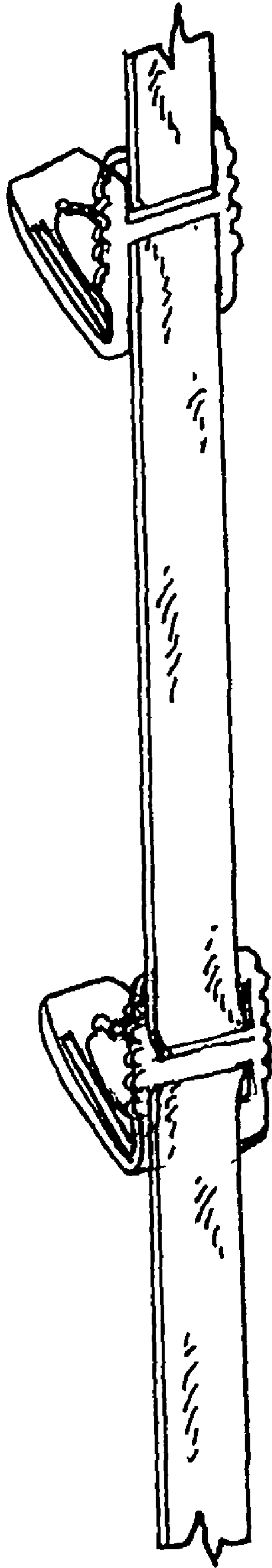


FIG. 8E

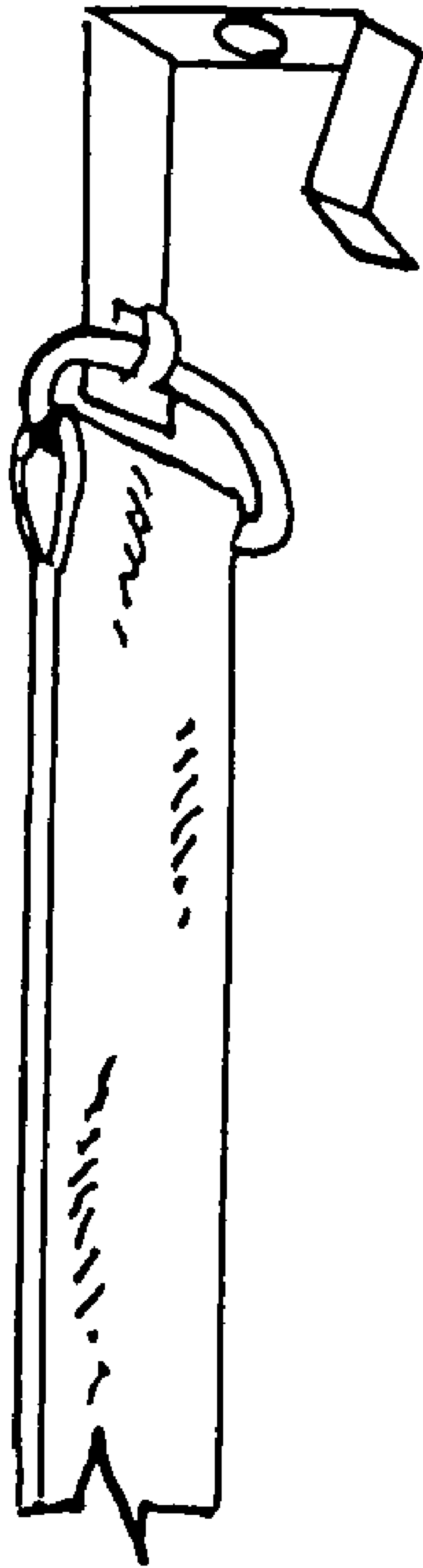


FIG. 8F