



US00D647324S

(12) **United States Design Patent**
Kincaid et al.

(10) **Patent No.:** **US D647,324 S**
(45) **Date of Patent:** **** Oct. 25, 2011**

- (54) **DESK AND PILING CENTER**
- (75) Inventors: **Brett Kincaid**, Lowell, MI (US);
William Bennie, Mazomanie, WI (US);
Mauricio Escobar, New York, NY (US);
Duck Young Kong, Kentwood, MI (US)
- (73) Assignee: **Steelcase Inc.**, Grand Rapids, MI (US)
- (**) Term: **14 Years**

- 4,735,152 A 4/1988 Bricker
 - D300,392 S 3/1989 Sapper
 - D302,497 S 8/1989 Zapf
 - 4,852,500 A 8/1989 Ryburg et al.
 - 4,960,271 A 10/1990 Sebring
 - 5,009,407 A 4/1991 Watanabe
 - D322,183 S 12/1991 Martin et al.
 - D324,963 S * 3/1992 LaCour D6/422
 - D327,791 S 7/1992 Lechman
 - D330,123 S 10/1992 Moschini
- (Continued)

- (21) Appl. No.: **29/362,731**
 - (22) Filed: **May 28, 2010**
 - (51) **LOC (9) Cl.** **06-03**
 - (52) **U.S. Cl.** **D6/422; D6/423**
 - (58) **Field of Classification Search** D6/421-423,
D6/425-428, 429-431, 481, 397, 486, 480;
312/140.1, 140.2, 140.3, 194, 195, 238, 239;
108/50.01, 50.02
- See application file for complete search history.

FOREIGN PATENT DOCUMENTS

- EP 1886598 A1 2/2008
- Primary Examiner* — Janice Seeger
- (74) *Attorney, Agent, or Firm* — Prince Heneveld LLP

(57) **CLAIM**
We claim the ornamental design of a desk and piling center, as shown and described.

DESCRIPTION

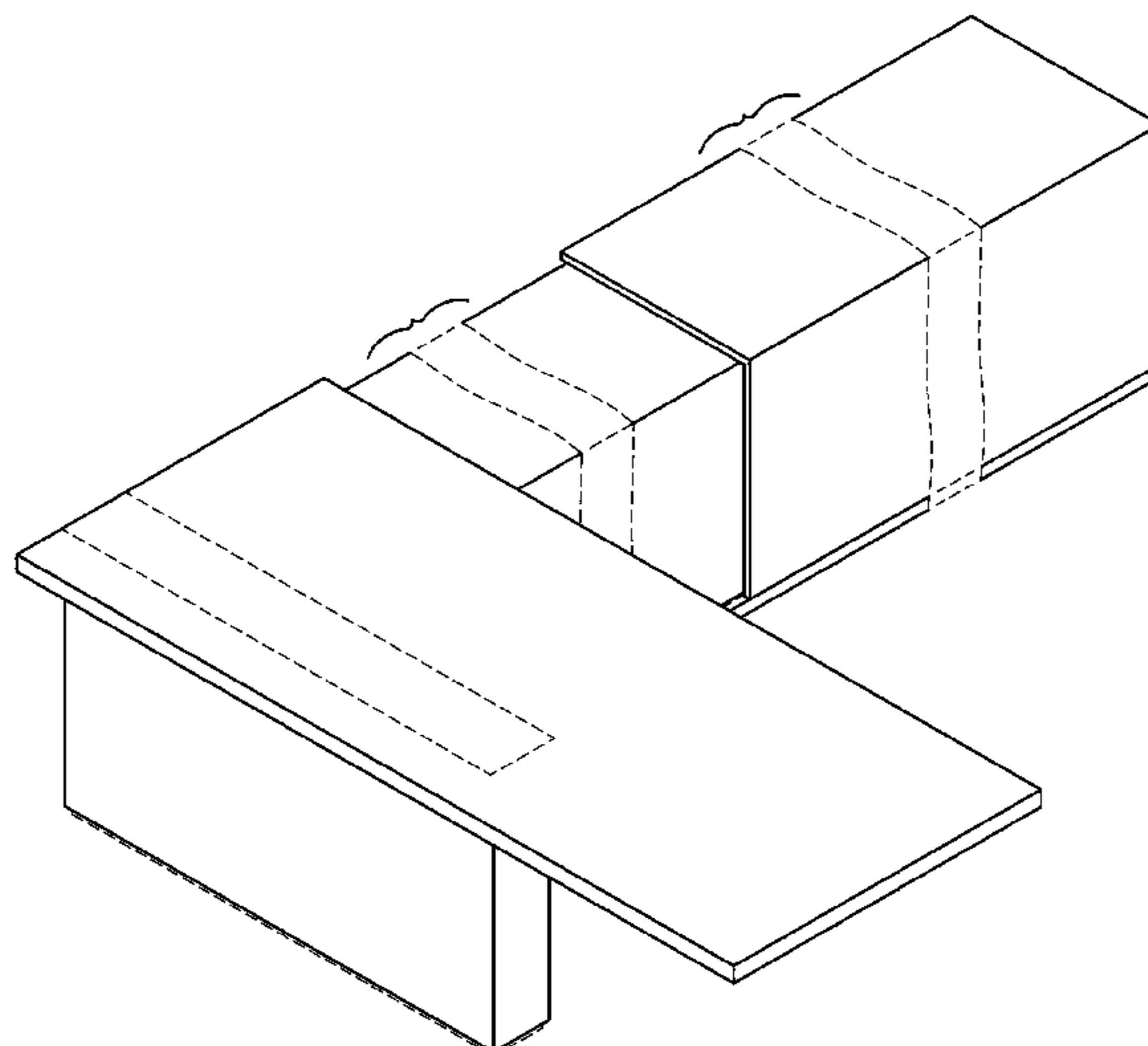
FIG. 1 is a perspective view of the desk and piling center embodying the present invention;
 FIG. 2 is a front elevational view of the desk and piling center shown in FIG. 1;
 FIG. 3 is a first side elevational view of the desk and piling center shown in FIG. 1;
 FIG. 4 is a second side elevational view of the desk and piling center shown in FIG. 1;
 FIG. 5 is a rear elevational view of the desk and piling center shown in FIG. 1;
 FIG. 6 is a top plan view of the desk and piling center shown in FIG. 1; and,
 FIG. 7 is a bottom plan view of the desk and piling center shown in FIG. 1.
 The dashed lines and broken lines are for purposes of illustrating environmental structure and form no part of the claimed design.

(56) **References Cited**

U.S. PATENT DOCUMENTS

- 1,886,598 A 11/1932 Schweiter
- D154,440 S * 7/1949 Taubert D6/425
- D169,375 S * 4/1953 Knoll D6/426
- 3,217,673 A 11/1965 Knoblock
- 3,574,434 A 4/1971 Propst
- D223,046 S * 2/1972 Nance D6/426
- 3,658,285 A 4/1972 Cohen
- 3,666,339 A 5/1972 Neufeld
- 3,748,010 A 7/1973 Garte
- 3,859,931 A 1/1975 Lalonde
- 3,866,991 A 2/1975 Wener
- D237,851 S * 12/1975 Sklaroff D6/427
- 3,963,272 A 6/1976 Jones
- 3,992,067 A 11/1976 Kane
- D251,526 S 4/1979 Zapf
- 4,323,291 A 4/1982 Ball
- D275,349 S 9/1984 Thompson
- 4,555,150 A 11/1985 Turnbull

1 Claim, 5 Drawing Sheets



US D647,324 S

Page 2

U.S. PATENT DOCUMENTS

D335,591 S	5/1993	Lechman	D476,503 S	7/2003	Chesser et al.
5,259,326 A	11/1993	Borgman et al.	6,725,784 B2	4/2004	Crinion
D349,200 S	8/1994	Kelley	6,782,571 B1	8/2004	Josephson et al.
D354,408 S	1/1995	Kelley	6,883,881 B2	4/2005	Gauss
5,394,658 A	3/1995	Schreiner et al.	6,895,868 B1	5/2005	Cronk et al.
5,408,940 A	4/1995	Winchell	D506,888 S	7/2005	Althofer
5,428,928 A	7/1995	Hellwig et al.	D515,850 S	2/2006	Duke
5,473,997 A	12/1995	Solomon et al.	D524,570 S *	7/2006	Newhouse et al. D6/422
5,483,903 A	1/1996	Pierce et al.	D528,822 S	9/2006	Newhouse
5,601,348 A	2/1997	Minkovski	7,121,274 B2	10/2006	Wishart
D392,813 S	3/1998	Welborn, Jr. et al.	D537,650 S	3/2007	Luong
D405,624 S	2/1999	Newhouse	D539,059 S	3/2007	Vander Park
D405,982 S	2/1999	Newhouse	7,314,010 B2	1/2008	George et al.
D407,916 S	4/1999	Zaidman et al.	D576,422 S	9/2008	Grabowski et al.
5,890,438 A	4/1999	Frankish	D577,509 S	9/2008	Grabowski et al.
D410,349 S	6/1999	Kelley et al.	D635,376 S *	4/2011	Cortivo et al. D6/422
6,029,587 A	2/2000	Rozier, Jr. et al.	2005/0189851 A1	9/2005	Martin et al.
6,047,750 A	4/2000	Jensen	2006/0162626 A1	7/2006	Brauning et al.
6,085,665 A	7/2000	Smith et al.	2007/0251428 A1	11/2007	Mead et al.
6,196,648 B1	3/2001	Henriott	2008/0035031 A1	2/2008	Yamanishi et al.
6,283,043 B1	9/2001	Stern et al.	2008/0295745 A1	12/2008	Hamilton et al.
D472,399 S	4/2003	Casteel	2009/0101047 A1	4/2009	Mulaw et al.

* cited by examiner

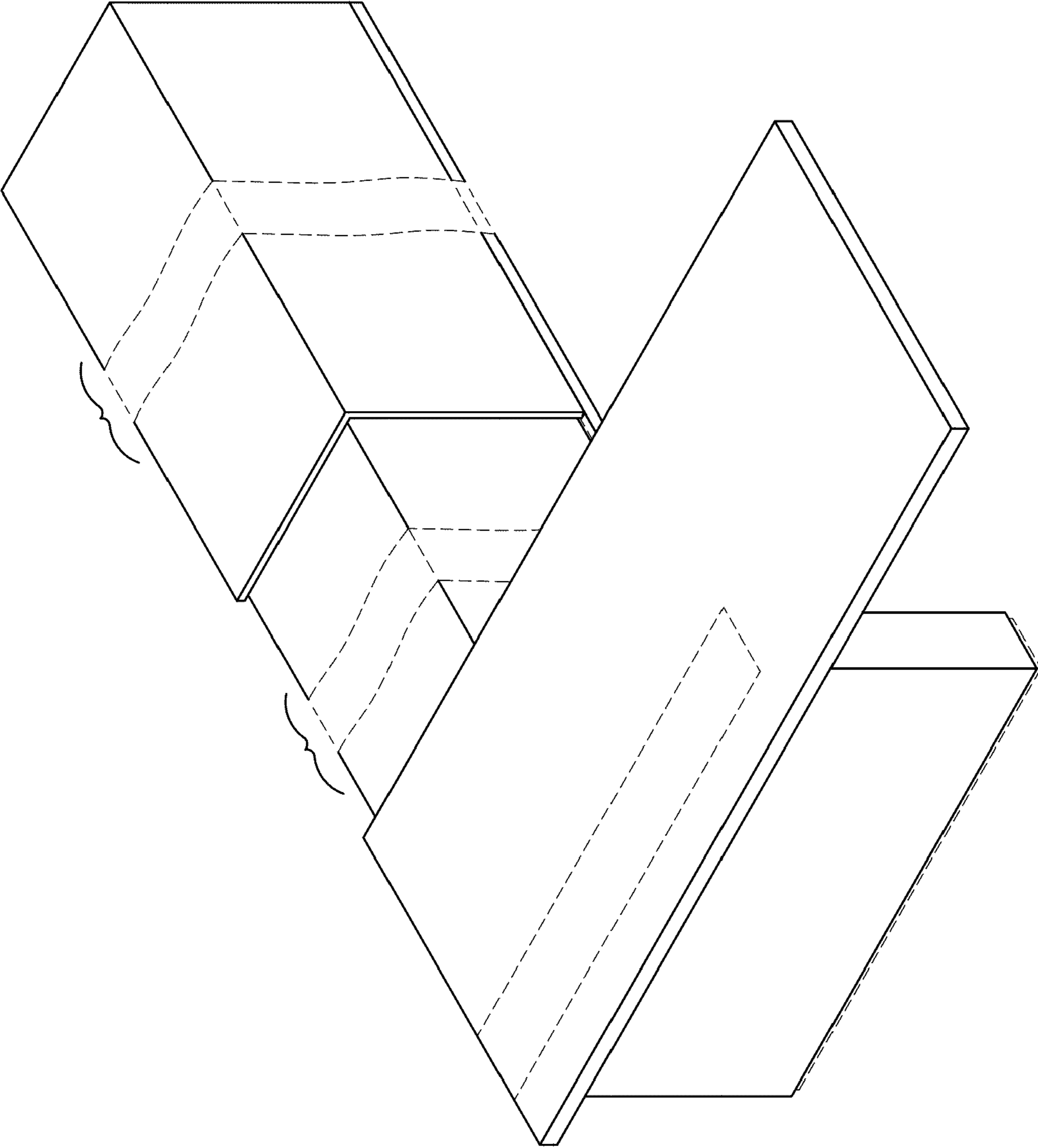


FIG. 1

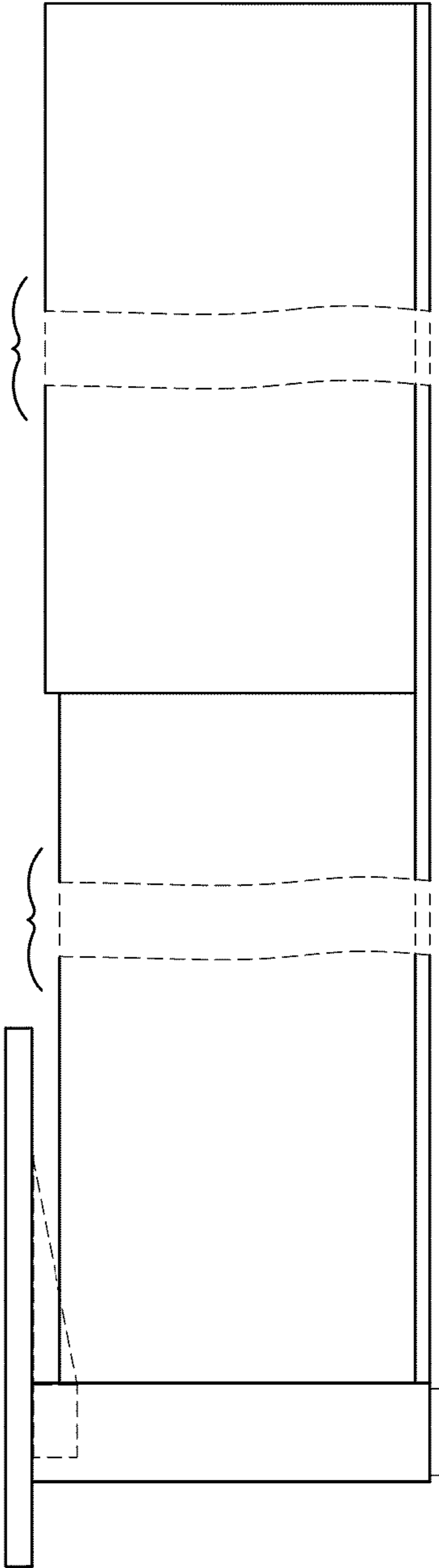


FIG. 2

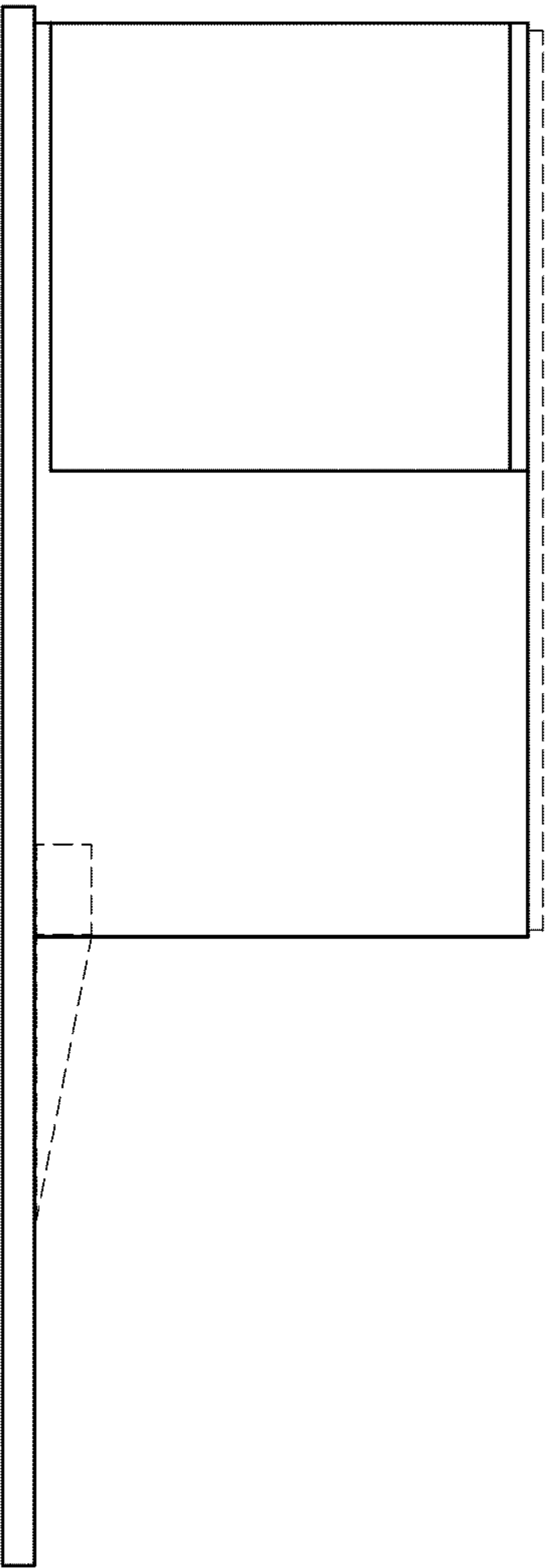


FIG. 3

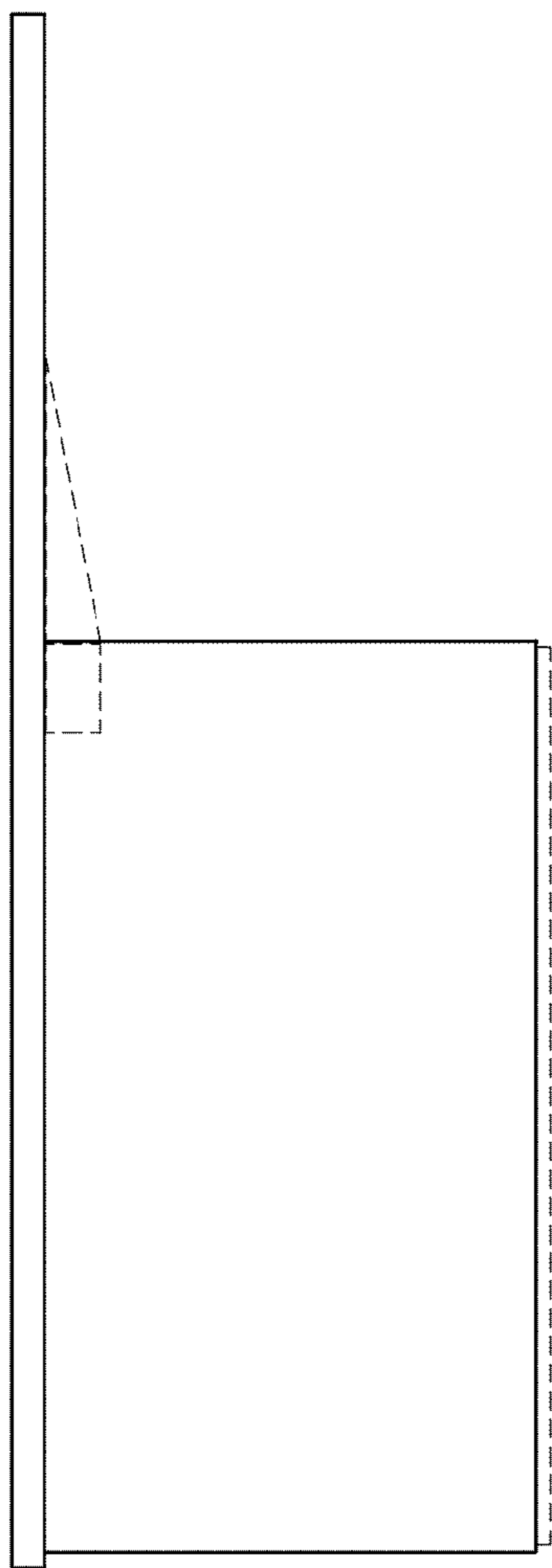


FIG. 4

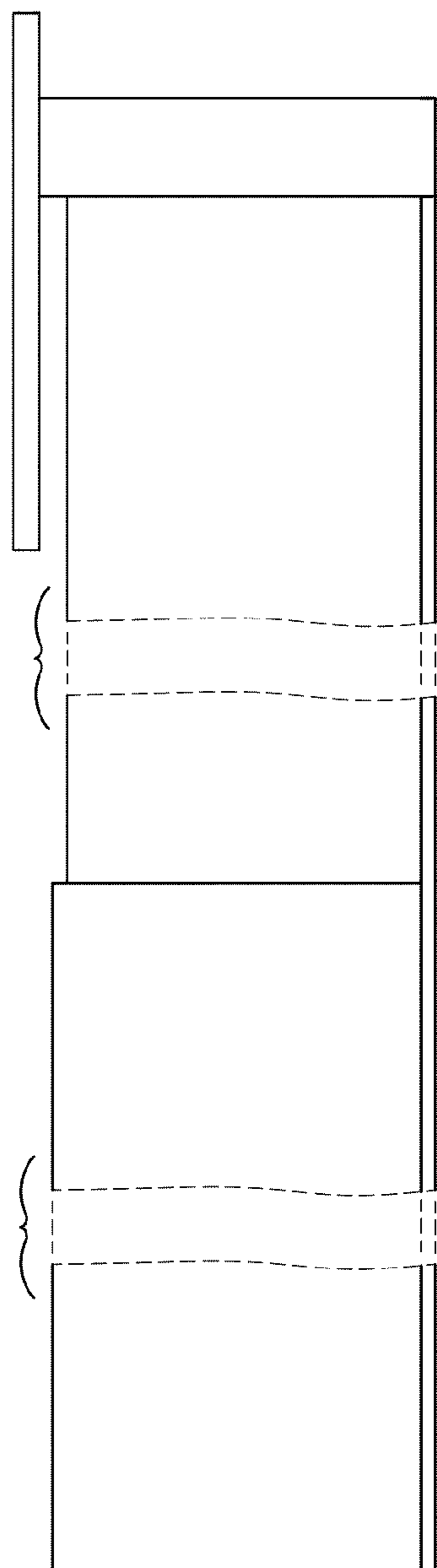


FIG. 5

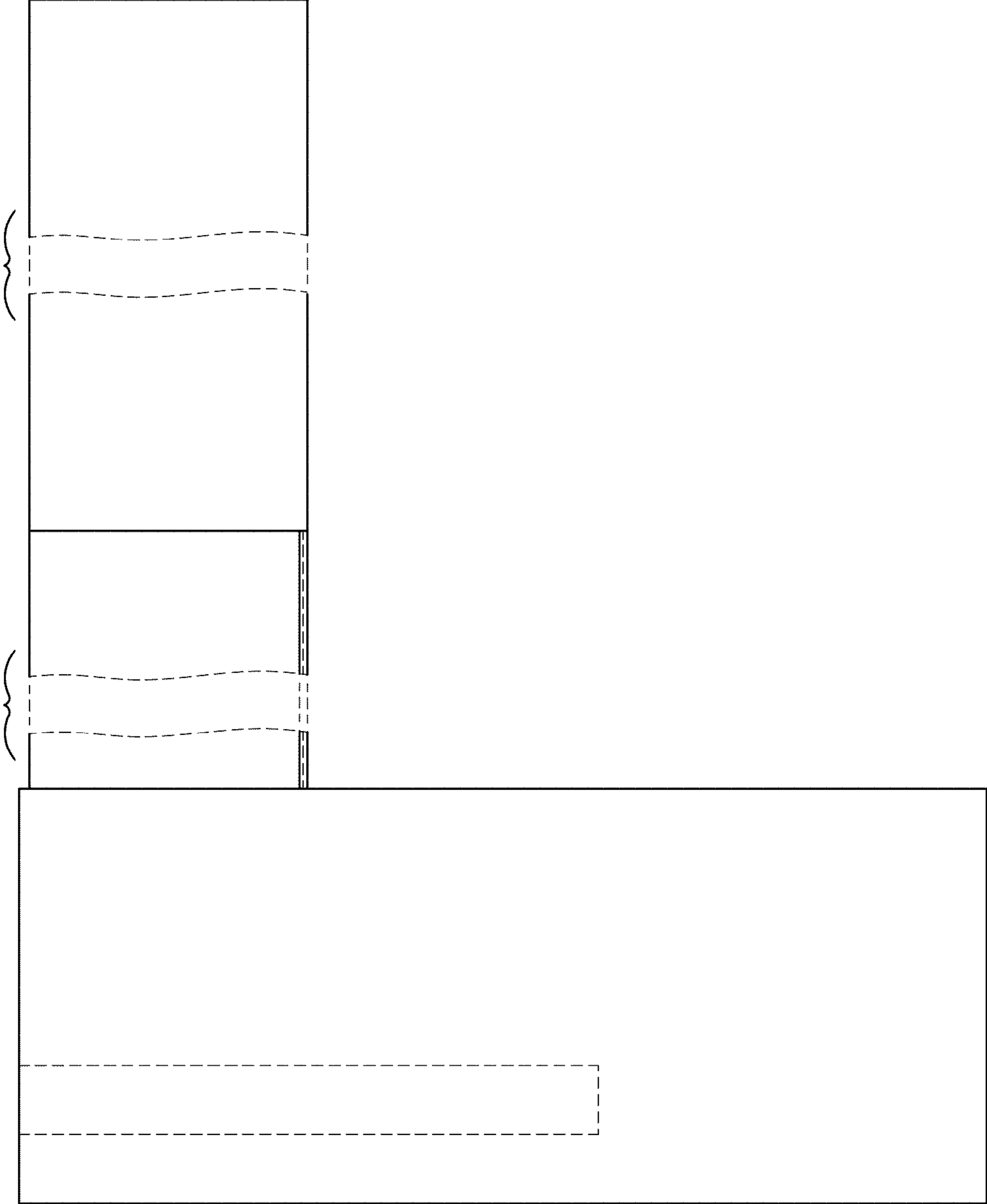


FIG. 6

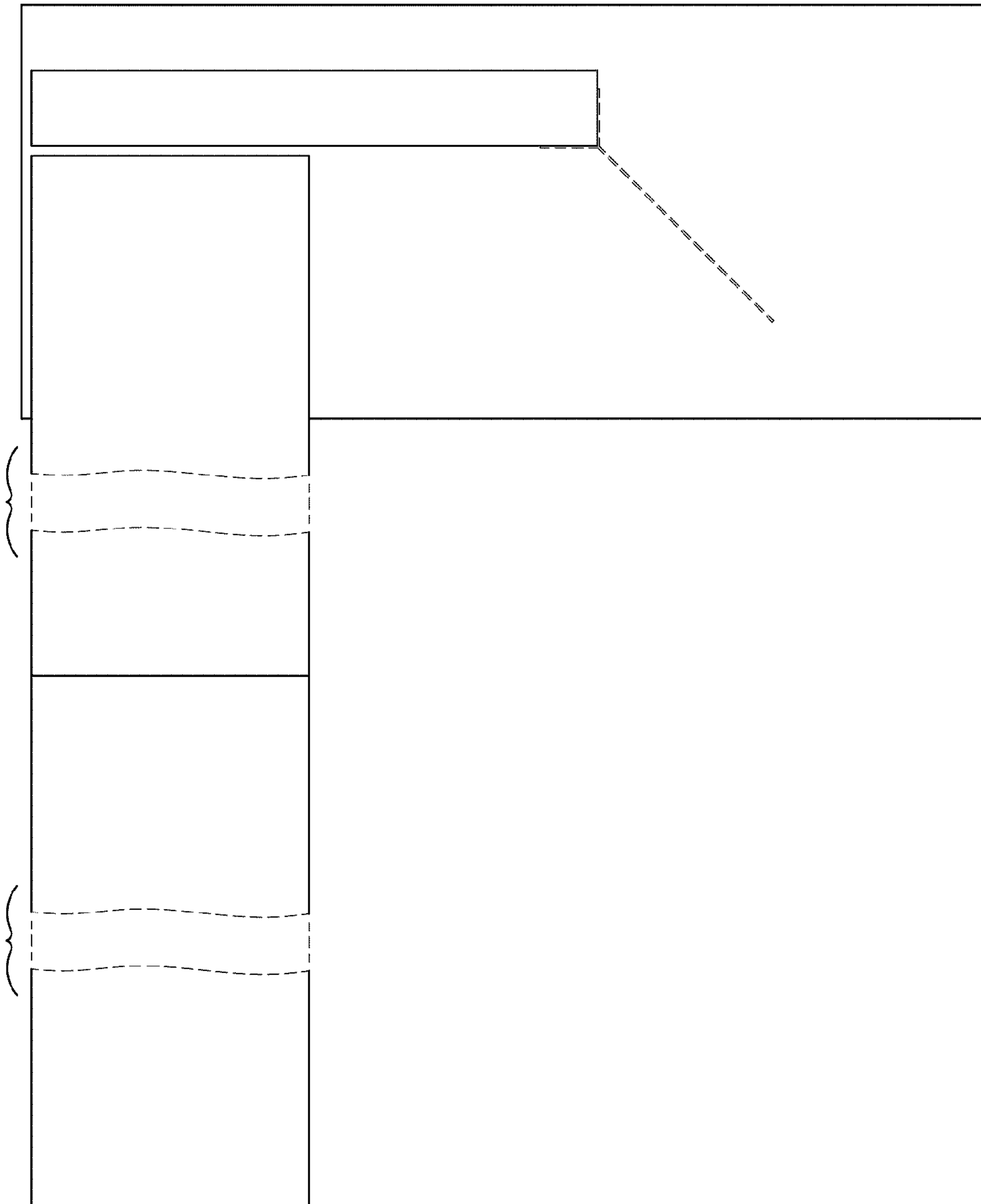


FIG. 7