



US00D647322S

(12) **United States Design Patent**
Domack et al.

(10) **Patent No.:** **US D647,322 S**

(45) **Date of Patent:** **** *Oct. 25, 2011**

- (54) **BED**
- (75) Inventors: **Randy D. Domack**, Holmen, WI (US);
Terry A. Everson, Blair, WI (US);
Craig C. Bacon, Trempealeau, WI (US)

- D458,472 S 6/2002 Risdon
- D459,608 S 7/2002 O'Hare et al.
- D460,288 S 7/2002 Vaaler
- D469,285 S 1/2003 Stanton
- D474,917 S 5/2003 Risdon
- D475,862 S 6/2003 McDaniel et al.

(Continued)

- (73) Assignee: **Ashley Furniture Industries, Inc.**,
Arcadia, WI (US)

(**) Term: **14 Years**

(21) Appl. No.: **29/384,330**

(22) Filed: **Jan. 29, 2011**

(51) **LOC (9) Cl.** **06-02**

(52) **U.S. Cl.** **D6/393**

(58) **Field of Classification Search** D6/382,
D6/383, 388, 393-395, 505-508, 503; 5/53.1,
5/907, 279.1, 280, 281

See application file for complete search history.

(56) **References Cited**

U.S. PATENT DOCUMENTS

D340,147 S	10/1993	Black	
D353,954 S	1/1995	Bowman	
D368,178 S	3/1996	Walters, III et al.	
D376,283 S	12/1996	James	
D387,919 S	12/1997	Keller et al.	
D390,389 S	2/1998	Walters, III et al.	
D394,167 S	5/1998	Estape et al.	
D400,377 S	11/1998	Hazen et al.	
D400,378 S	11/1998	Hazen et al.	
D400,379 S	11/1998	Hazen et al.	
D404,217 S *	1/1999	Zaidman et al.	D6/393
D405,973 S	2/1999	Estape et al.	
D405,974 S *	2/1999	Estape et al.	D6/393
D405,975 S	2/1999	Keller et al.	
D441,980 S	5/2001	McDaniel et al.	
D443,334 S	6/2001	Duncan	
D443,432 S	6/2001	Vaaler	
D443,433 S	6/2001	McDaniel et al.	
D443,445 S	6/2001	O'Hare et al.	
D443,446 S	6/2001	O'Hare et al.	
D449,178 S	10/2001	Wanek et al.	

OTHER PUBLICATIONS

Ashley Furniture, "Fowler" B685, (2008 or earlier), 1 page.

(Continued)

Primary Examiner — Janice Seeger

(74) *Attorney, Agent, or Firm* — Patterson Thuent
Christensen Pedersen P.A.

(57) **CLAIM**

We claim the ornamental design for a bed, as shown and described.

DESCRIPTION

FIG. 1 is a front perspective view of a bed of the invention. The view from the adjacent front corner being a mirror image thereto.

FIG. 2 is a front elevational view of a headboard of a bed of the invention.

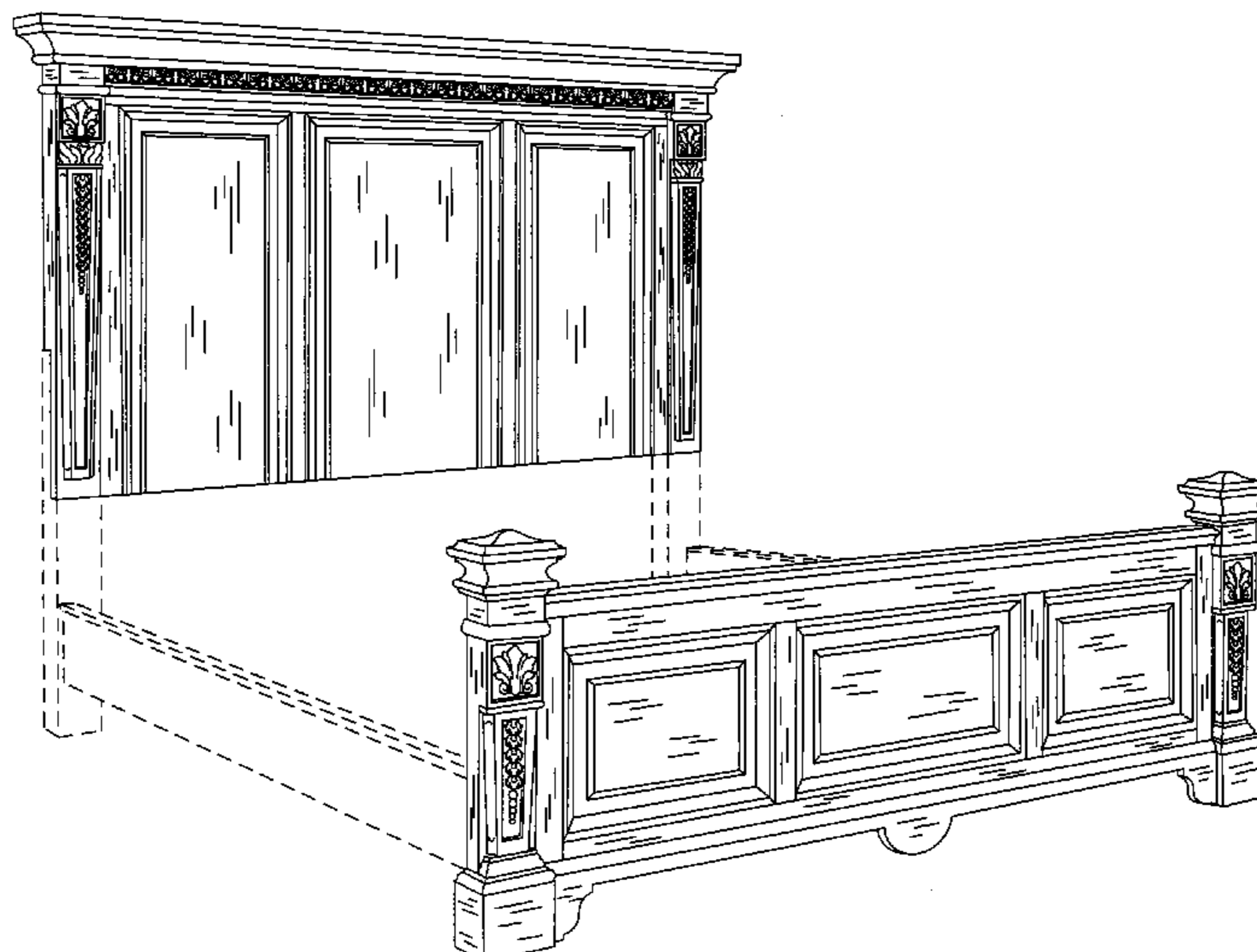
FIG. 3 is a front elevational view of a footboard of a bed of the invention.

FIG. 4 is a side elevational view of a bed according to the invention. The view from the opposite side being a mirror image thereto; and,

FIG. 5 is a top plan view of a bed according to the invention. The headboard and footboard are shown separately for clarity of disclosure.

The broken lines on the bed in the figures are for illustrative purposes only and form no part of the claimed invention. The backside of the footboard and the backside of the headboard of the bed are not shown and form no part of the claimed invention.

1 Claim, 5 Drawing Sheets



US D647,322 S

Page 2

U.S. PATENT DOCUMENTS

D481,219 S 10/2003 Paus
D487,199 S 3/2004 Schmitt
D487,363 S 3/2004 Schmitt
D492,501 S 7/2004 Domack
D492,502 S 7/2004 Domack
D492,855 S 7/2004 Wanek et al.
D494,773 S 8/2004 Domack
D499,271 S 12/2004 Wanek et al.
D505,035 S 5/2005 Mohundro
D507,714 S 7/2005 Mohundro
D508,178 S 8/2005 Mohundro
D509,976 S 9/2005 Mohundro
D509,977 S 9/2005 Mohundro
D510,828 S 10/2005 Mohundro
D511,428 S 11/2005 Mohundro
D514,351 S * 2/2006 Berry et al. D6/393
D518,659 S 4/2006 Domack et al.
D518,660 S 4/2006 Domack et al.
D518,973 S 4/2006 Domack et al.
D519,297 S 4/2006 Wanek et al.
D526,508 S 8/2006 Mohundro
D527,925 S 9/2006 Domack et al.
D528,331 S 9/2006 Mohundro
D535,507 S 1/2007 Schmitt
D536,558 S 2/2007 Schmitt
D536,914 S 2/2007 Schmitt
D543,050 S 5/2007 Mohundro
D547,969 S 8/2007 Domack et al.
D548,481 S 8/2007 Domack et al.

D552,372 S * 10/2007 Domack et al. D6/393
D552,874 S 10/2007 Everson et al.
D554,388 S 11/2007 Leigh
D554,883 S 11/2007 Voorhees
D560,385 S 1/2008 Domack et al.
D560,386 S 1/2008 Janke et al.
D560,923 S 2/2008 Janke et al.
D564,778 S 3/2008 Juneau
D565,333 S * 4/2008 Mohundro D6/505
D565,864 S 4/2008 Domack et al.
D567,552 S 4/2008 Domack et al.
D568,076 S 5/2008 Schmitt
D585,659 S 2/2009 Domack et al.
D585,660 S * 2/2009 Domack et al. D6/393
D589,717 S 4/2009 Domack et al.
D611,724 S 3/2010 Everson

OTHER PUBLICATIONS

Ashley Furniture, "Britannia Rose" B651, (2010 or earlier), 1 page.
Ashley Furniture, "Monaco" B621, (2010 or earlier), 1 page.
Ashley Furniture, "Ladora" B557, (2010 or earlier), 1 page.
Ashley Furniture, "Nolan" B519, (2010 or earlier), 1 page.
Ashley Furniture, "Angelo" B515, (2010 or earlier), 1 page.
Ashley Furniture, "Oakland Park" B485, (2010 or earlier), 1 page.
Ashley Furniture, "Woodboro" B478, (2010 or earlier), 1 page.
Ashley Furniture, B378, (2010 or earlier), 1 page.
Ashley Furniture, "Catarina" B375, (2010 or earlier), 1 page.
Ashley Furniture, "Wood Bridge" B248, (2010 or earlier), 1 page.

* cited by examiner

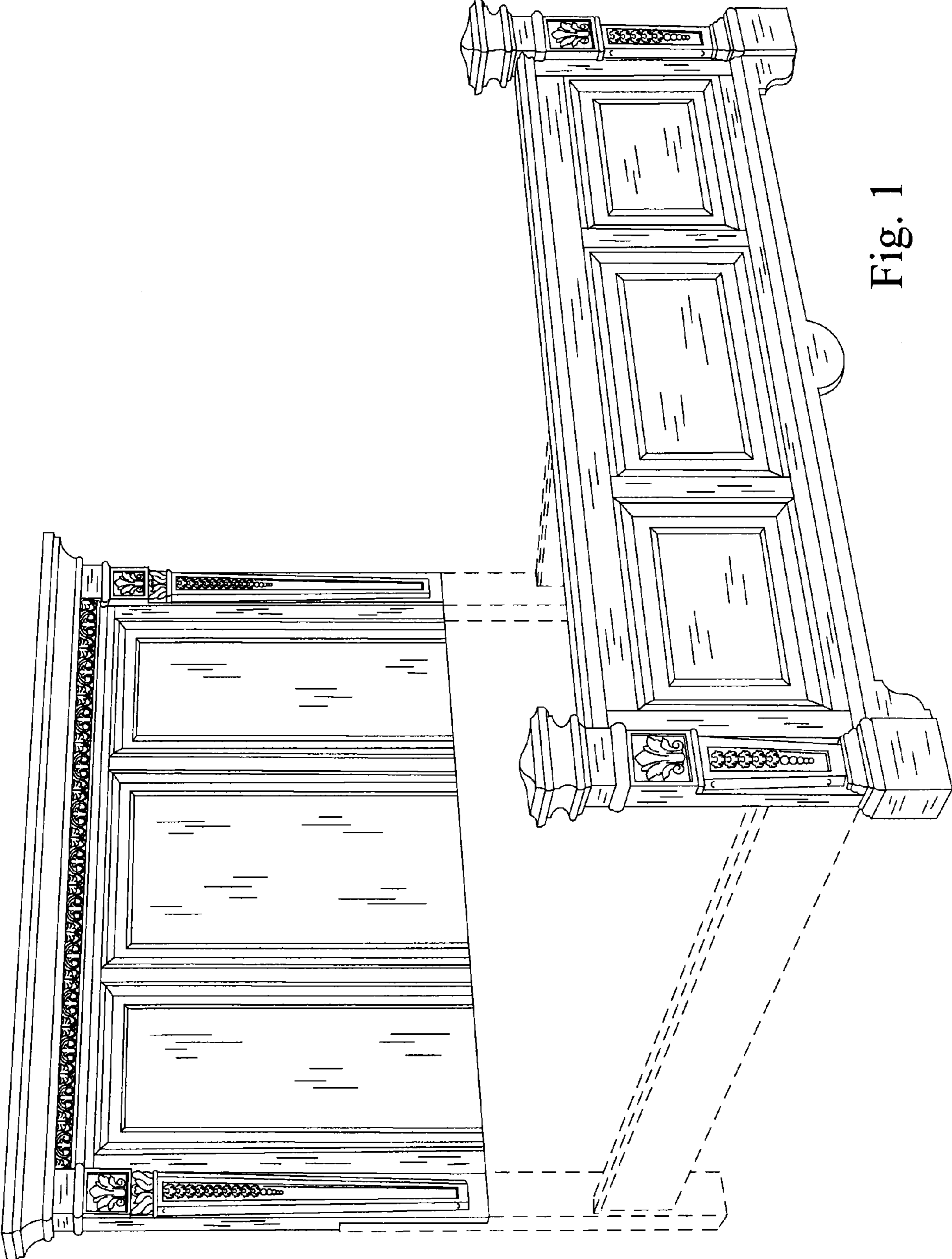


Fig. 1

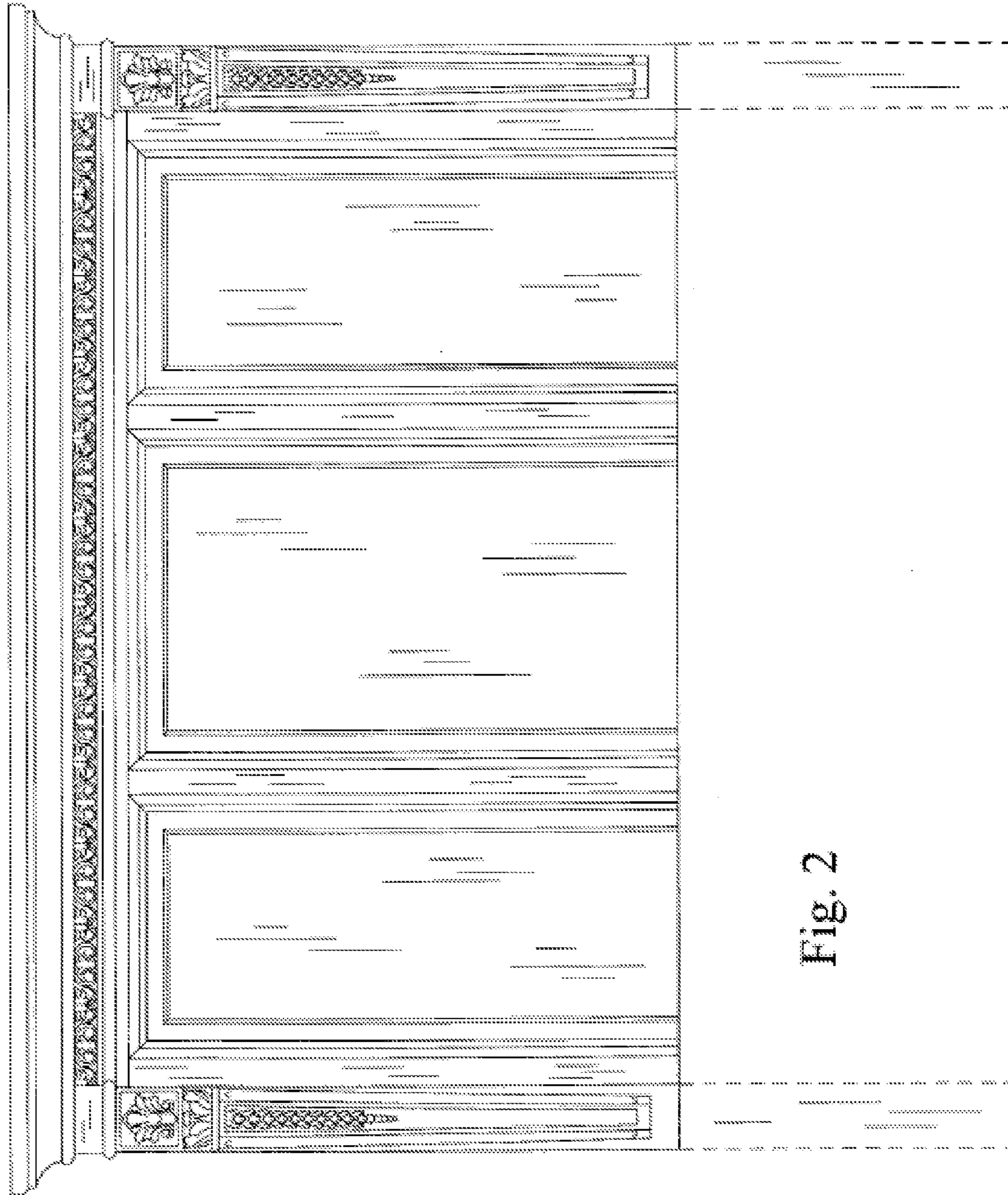


Fig. 2

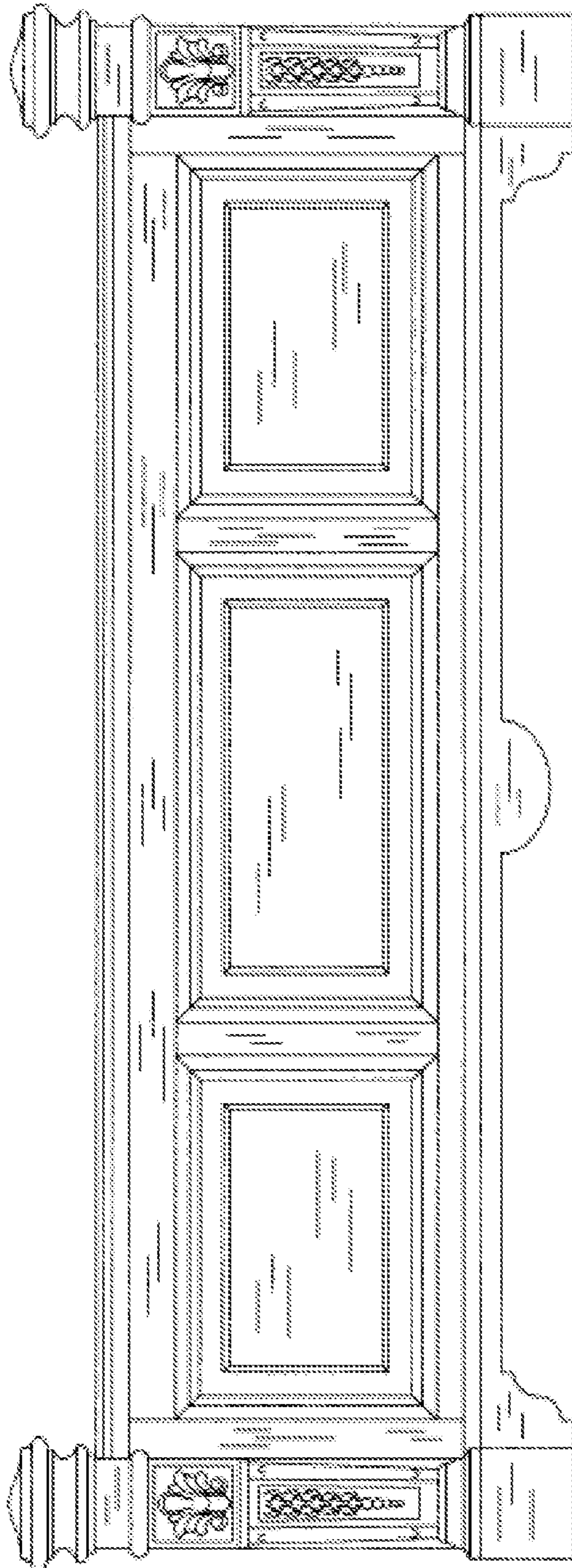


Fig. 3

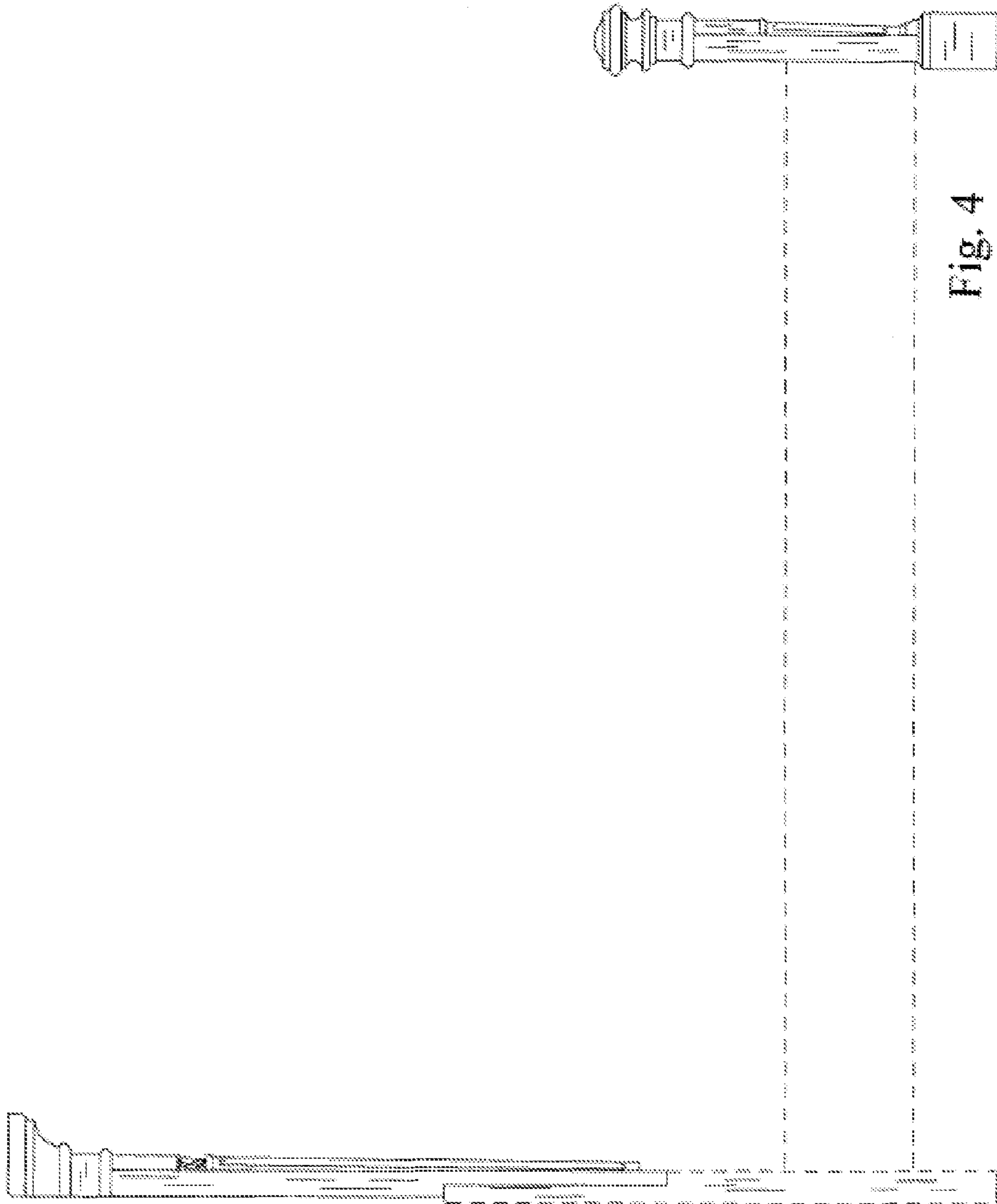


Fig. 4

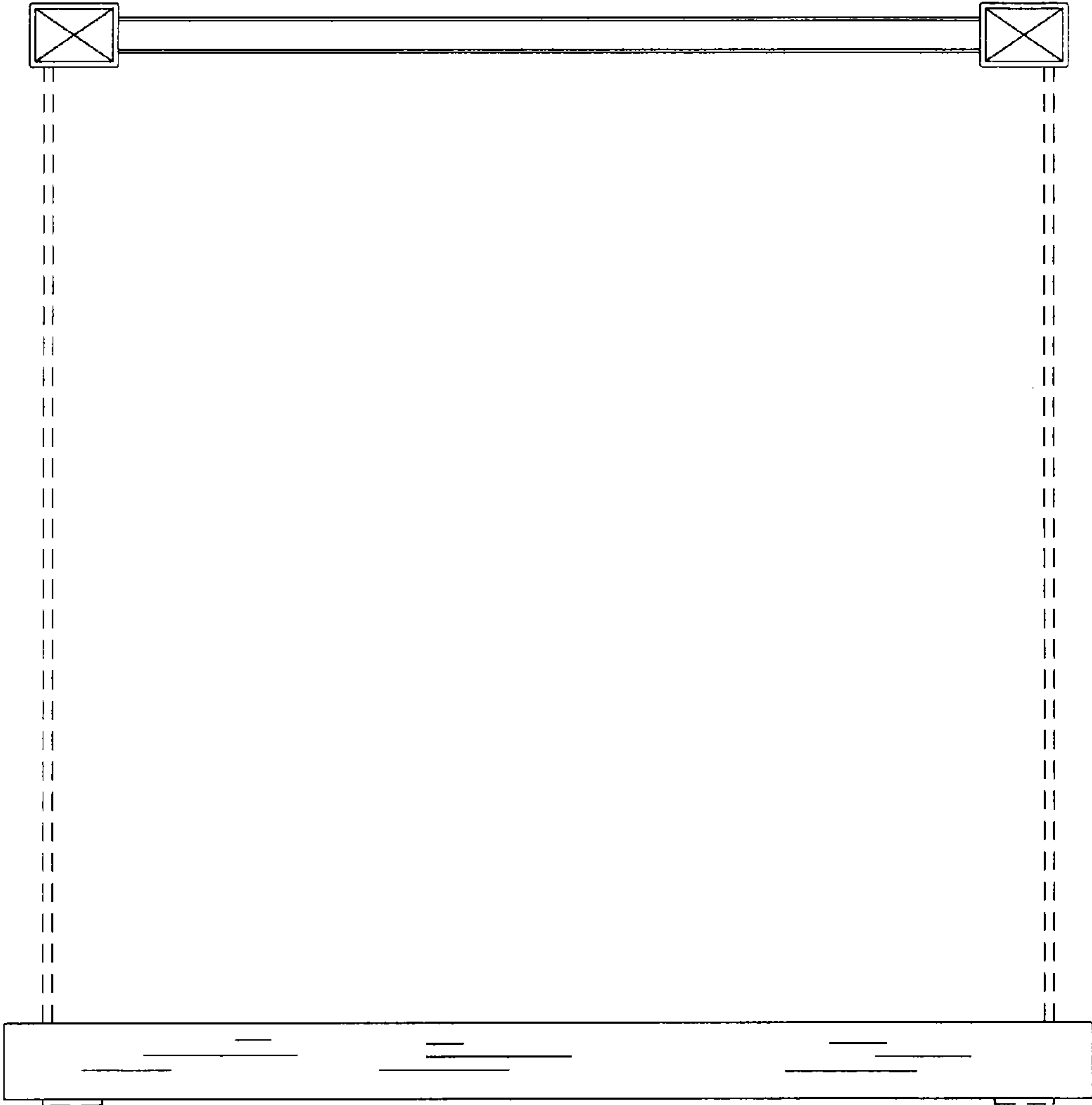


Fig. 5