



US00D647321S

(12) **United States Design Patent**
Garfunkle

(10) **Patent No.:** **US D647,321 S**

(45) **Date of Patent:** **** Oct. 25, 2011**

(54) **CHAIR**

(75) Inventor: **Sam Garfunkle**, Red Bank, NJ (US)

(73) Assignee: **Gar Products, Inc.**, Lakewood, NJ (US)

(**) Term: **14 Years**

(21) Appl. No.: **29/389,777**

(22) Filed: **Apr. 15, 2011**

(51) **LOC (9) Cl.** **06-01**

(52) **U.S. Cl.** **D6/380**

(58) **Field of Classification Search** D6/334-336,
D6/370, 374, 376, 379, 380, 500-502; 297/239,
297/445.1, 446.1, 452.1, 452.21, 452.46
See application file for complete search history.

(56) **References Cited**

U.S. PATENT DOCUMENTS

3,159,428 A * 12/1964 Schier 297/239
D264,779 S * 6/1982 Wenger et al. D6/380
D297,890 S * 10/1988 Hockenberry et al. D6/380

D464,494 S * 10/2002 Gasca Burges D6/374
D482,540 S * 11/2003 Ashby D6/374
D581,689 S * 12/2008 Marini D6/380
2005/0173954 A1 * 8/2005 Weber et al. 297/239

* cited by examiner

Primary Examiner — Mimoso De

(74) *Attorney, Agent, or Firm* — McDonnell Boehmen
Hulbert & Berghoff LLP

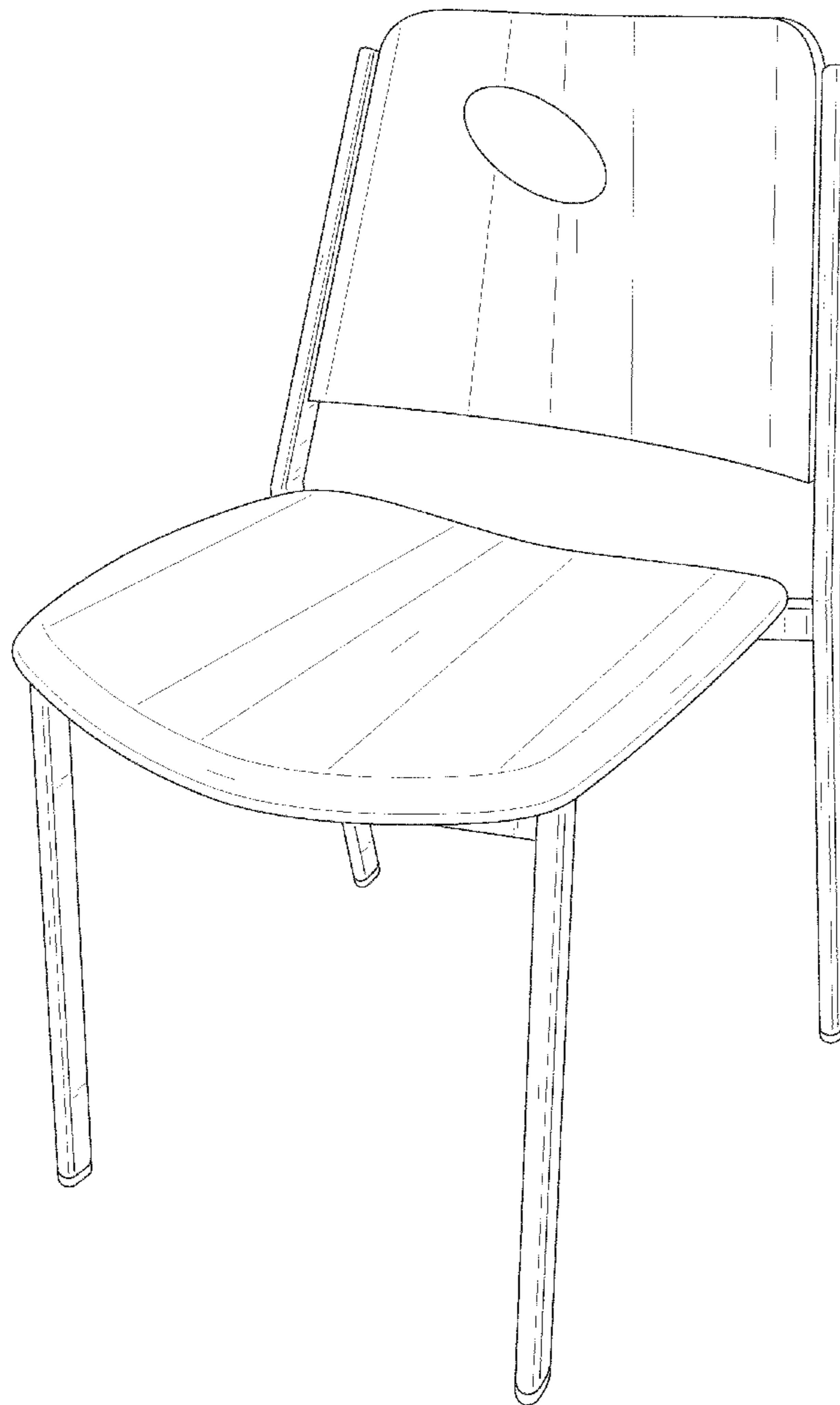
(57) **CLAIM**

The ornamental design for a chair, as shown and described.

DESCRIPTION

FIG. 1 is a perspective view of the chair of the present design;
FIG. 2 is a front view thereof;
FIG. 3 is a rear view thereof;
FIG. 4 is a left side view thereof;
FIG. 5 is a right side view thereof;
FIG. 6 is a top view thereof; and,
FIG. 7 is a bottom view thereof;

1 Claim, 7 Drawing Sheets



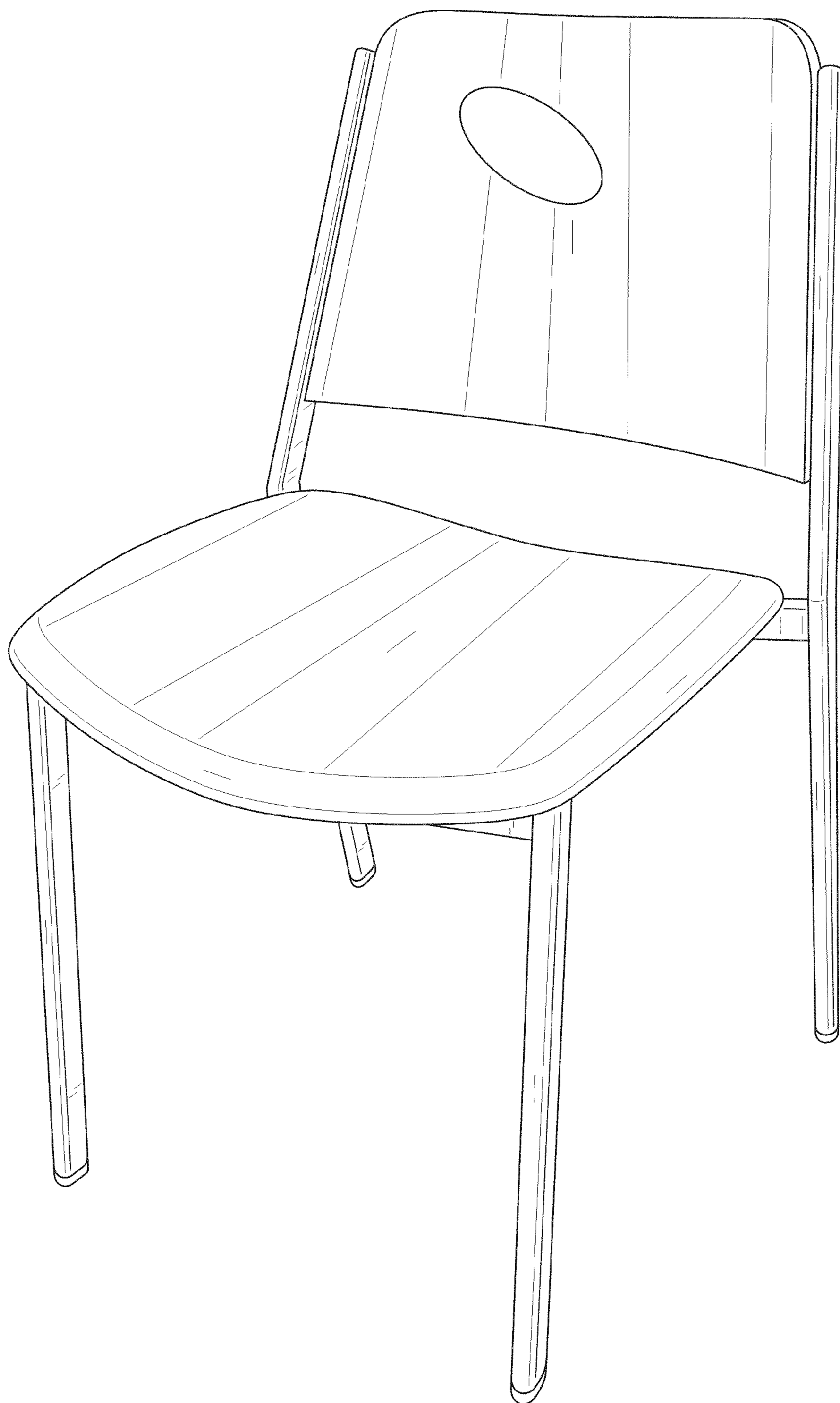


FIG. 1

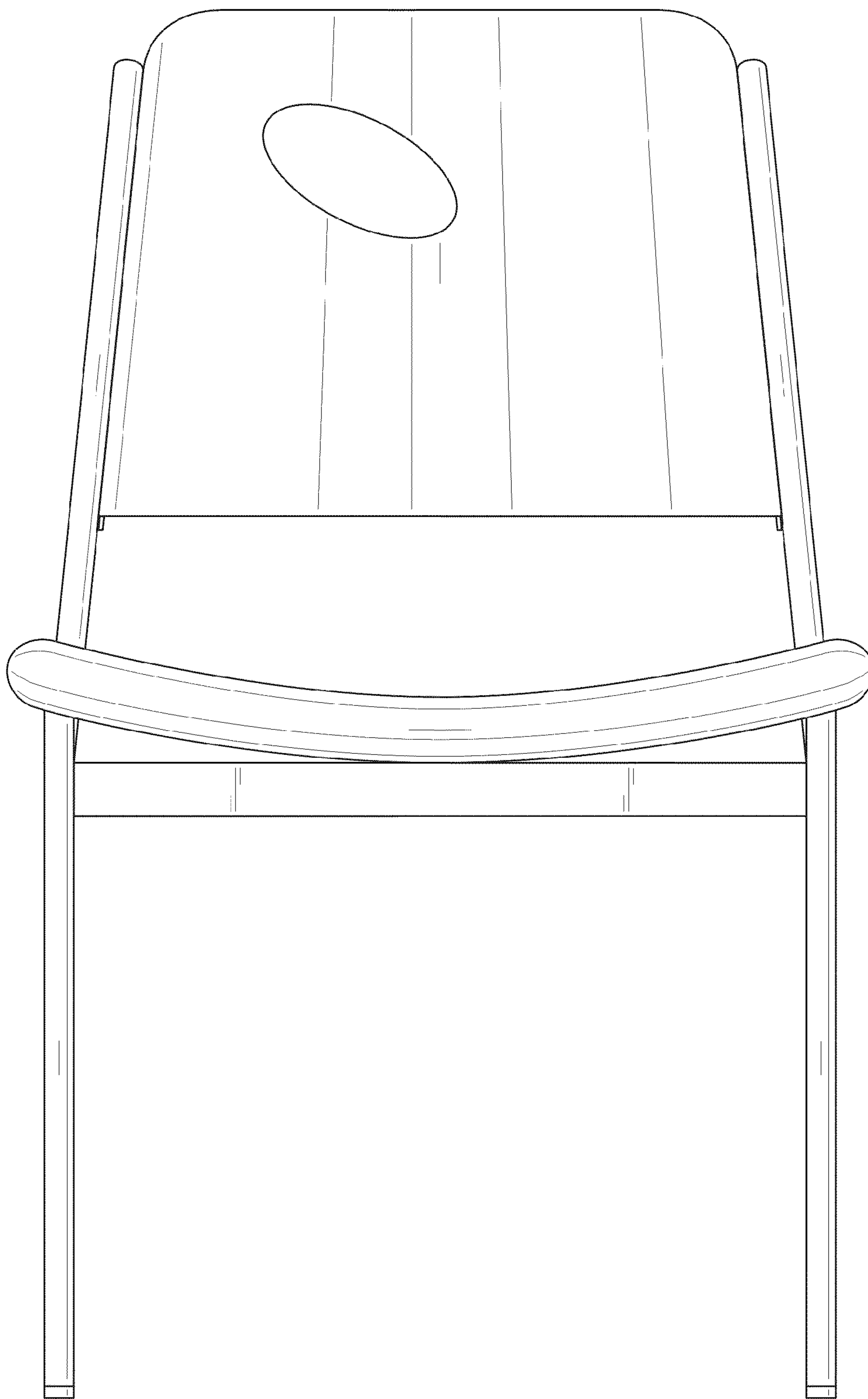


FIG. 2

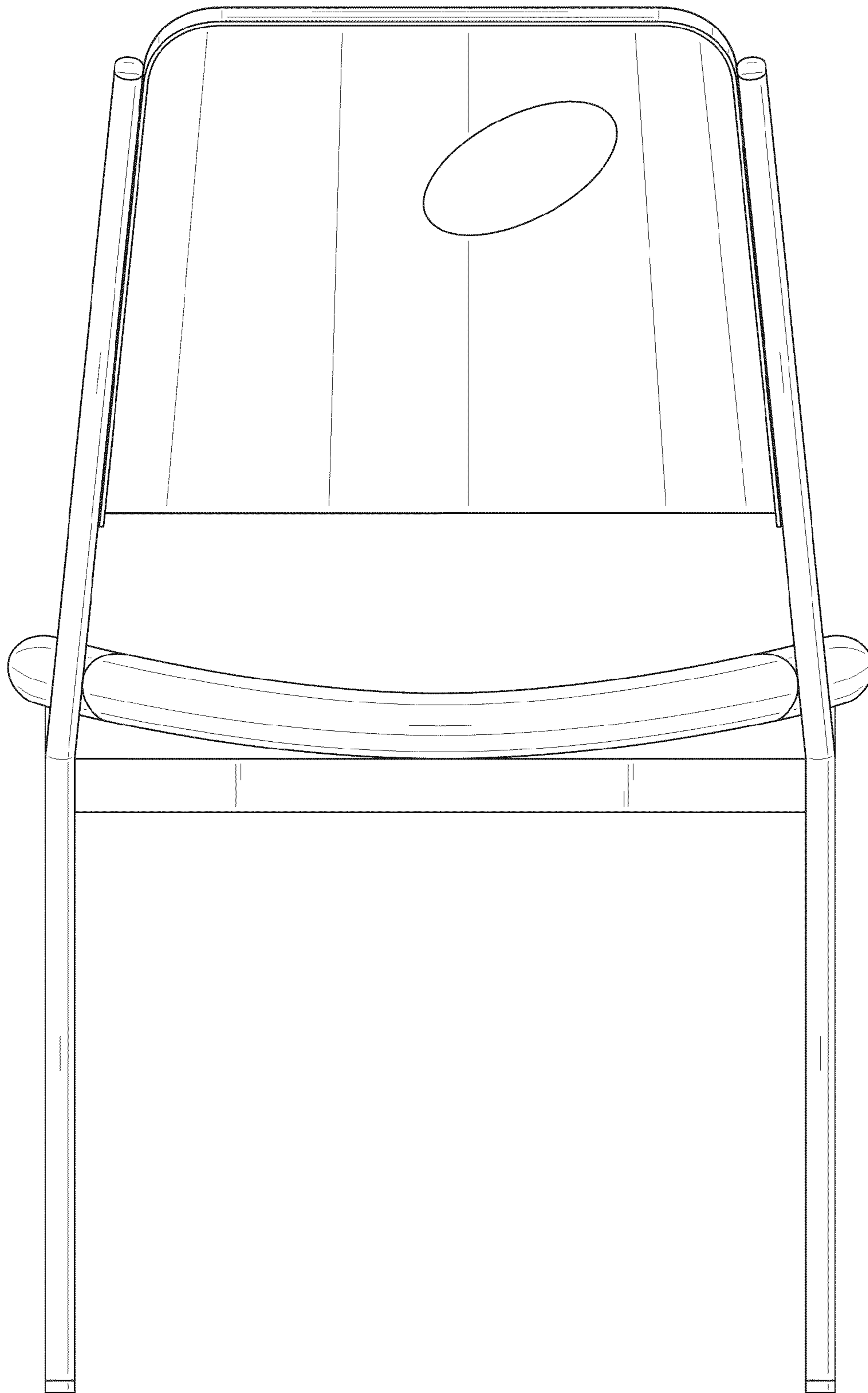


FIG. 3

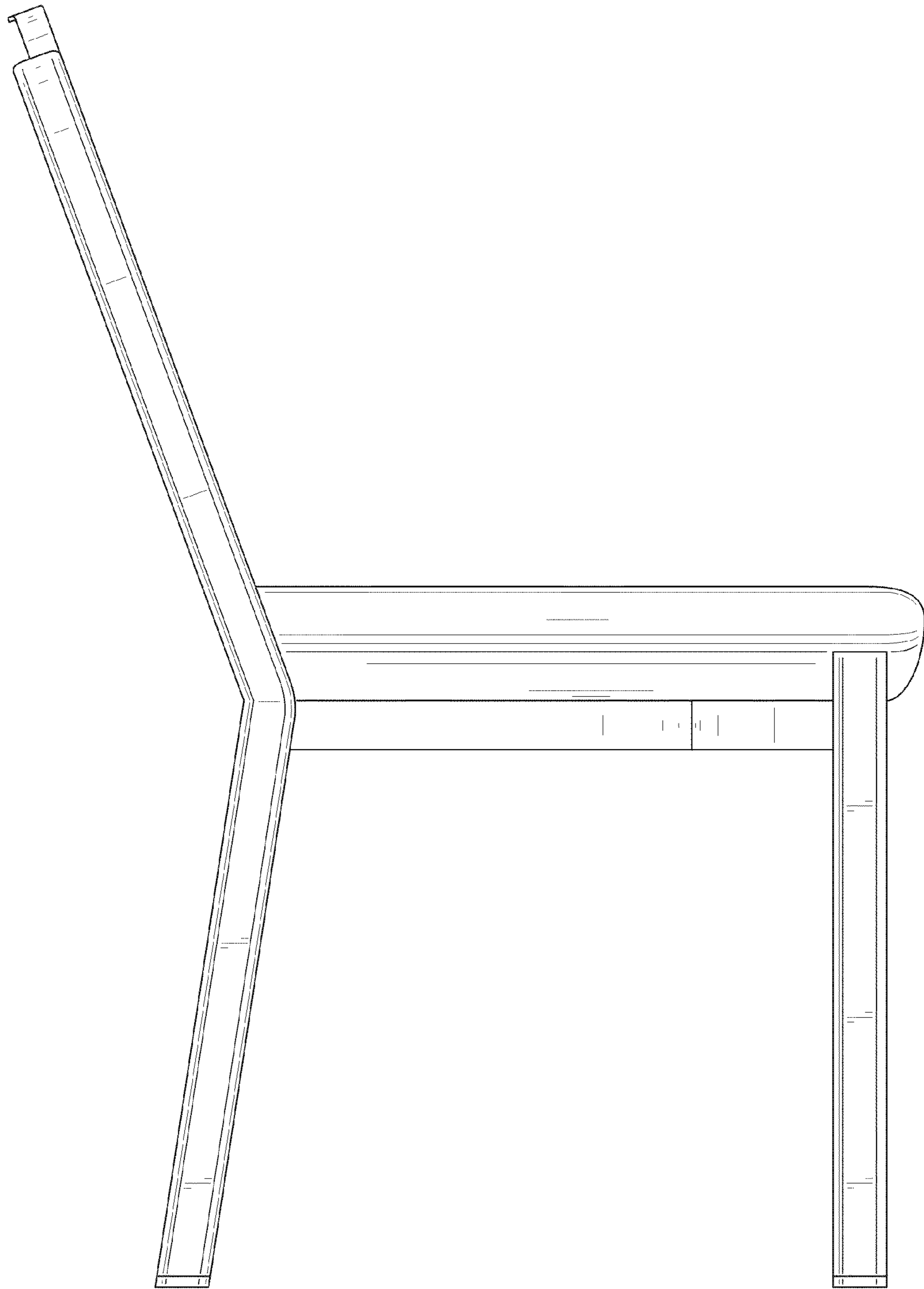


FIG. 4

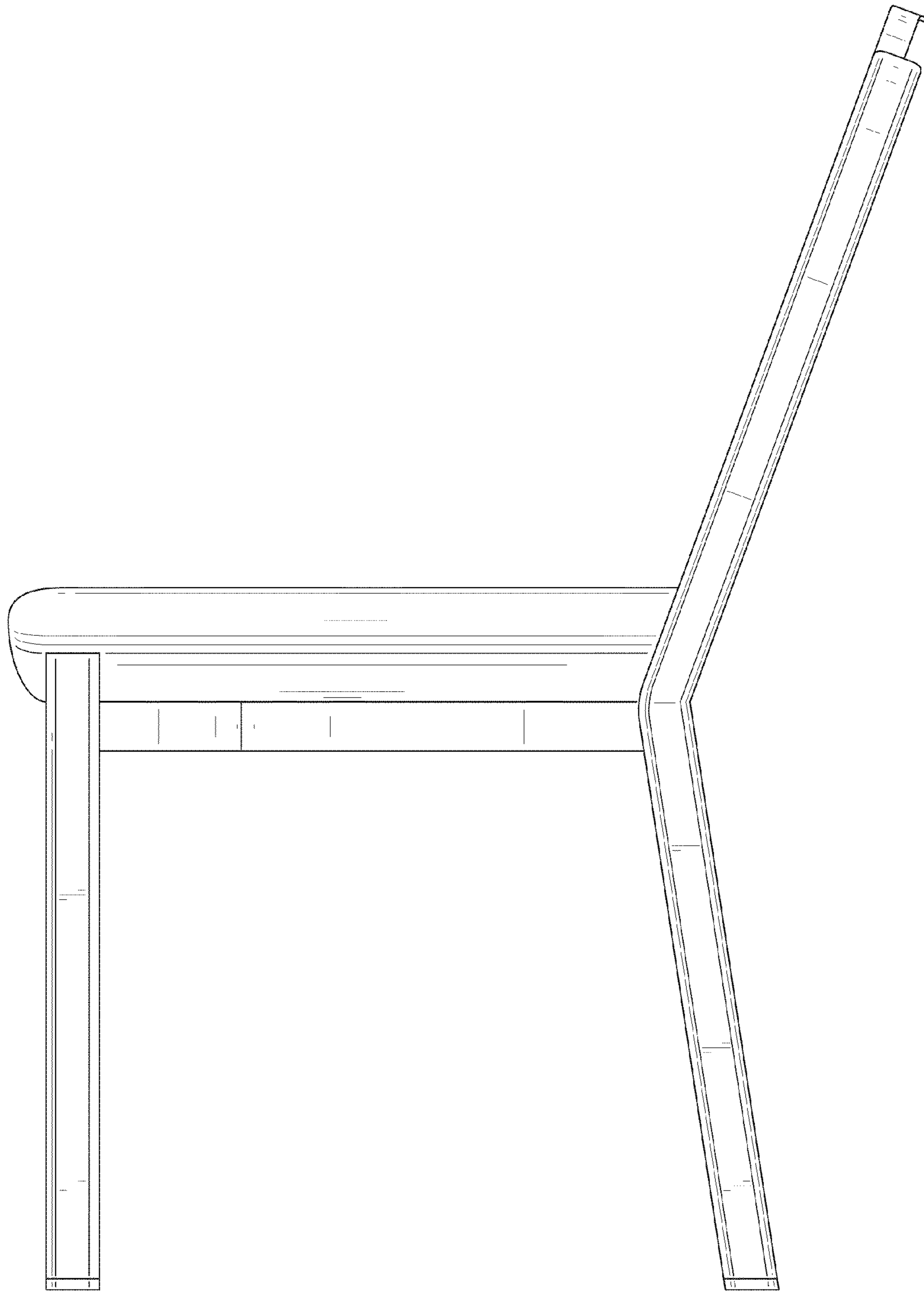


FIG. 5

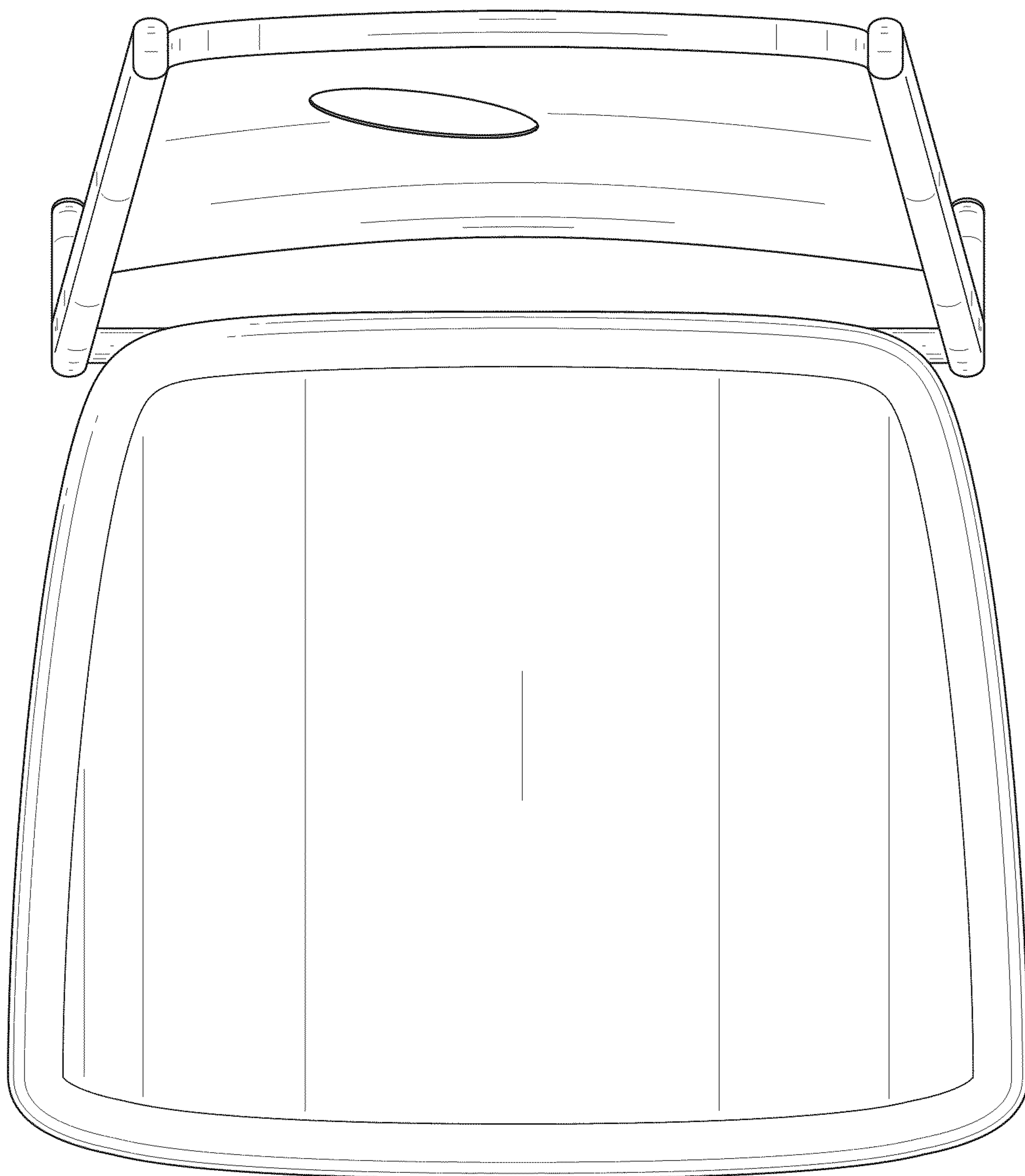


FIG. 6

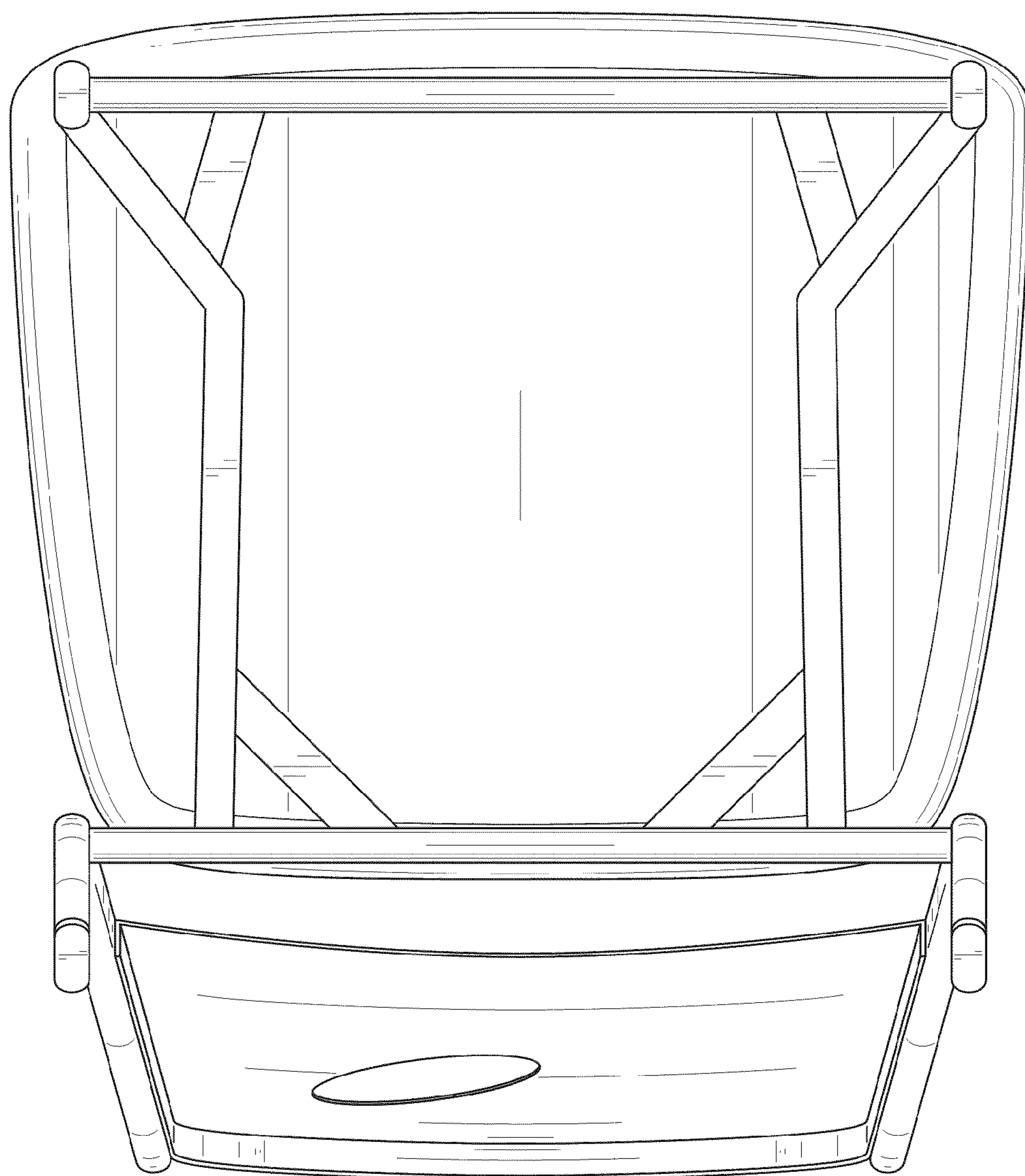


FIG. 7