

US00D647318S

(12) **United States Design Patent**  
**Bogdan et al.**

(10) **Patent No.:** **US D647,318 S**  
(45) **Date of Patent:** **\*\* Oct. 25, 2011**

(54) **CHAIR**

(75) Inventors: **Chad M. Bogdan**, St. Paul, MN (US);  
**Becca J. Koehler**, Minneapolis, MN  
(US); **Elizabeth J. Schlotfeldt**, St. Paul,  
MN (US); **Elizabeth R. Tremblay**,  
Minneapolis, MN (US); **Rachel A.**  
**Jones**, Minneapolis, MN (US)

(73) Assignee: **Target Brands, Inc.**, Minneapolis, MN  
(US)

(\*\*) Term: **14 Years**

(21) Appl. No.: **29/366,446**

(22) Filed: **Jul. 26, 2010**

(51) **LOC (9) Cl.** ..... **06-01**

(52) **U.S. Cl.** ..... **D6/379**

(58) **Field of Classification Search** ..... D6/310,  
D6/334-336, 348, 358-381, 500-502; 280/47.4;  
297/31, 239, 271.6, 11.2, 411.27, 411.28,  
297/440.13, 440.15, 445.1, 446.1, 452.13

See application file for complete search history.

(56) **References Cited**

**U.S. PATENT DOCUMENTS**

D279,243 S *	6/1985	Vanderminde	.....	D6/370
D311,098 S *	10/1990	Lee et al.	.....	D6/380
D333,925 S *	3/1993	Ricchio et al.	.....	D6/370
D338,115 S *	8/1993	Grosfillex	.....	D6/370
D359,397 S *	6/1995	McPhee	.....	D6/370
D366,774 S *	2/1996	Frinier	.....	D6/370
D370,570 S *	6/1996	Green et al.	.....	D6/370
D376,270 S *	12/1996	Slear	.....	D6/370
D396,365 S *	7/1998	Lizell	.....	D6/500
D399,667 S *	10/1998	Muller	.....	D6/370
D419,326 S	1/2000	Davidson		
D425,718 S	5/2000	van Valderen		
D433,579 S *	11/2000	Kane	.....	D6/379
D437,136 S *	2/2001	Tseng	.....	D6/370
D457,341 S *	5/2002	Muller	.....	D6/370
D457,342 S *	5/2002	Muller	.....	D6/370
D466,708 S	12/2002	Chau		
D473,391 S *	4/2003	Haney et al.	.....	D6/370
D474,904 S *	5/2003	Ciabatti	.....	D6/370

D477,926 S *	8/2003	Haney et al.	.....	D6/370
D479,774 S	9/2003	Wimberger		
D482,206 S *	11/2003	Ciabatti	.....	D6/376
D512,234 S *	12/2005	Spector et al.	.....	D6/370
D513,369 S	1/2006	Cross		
D513,900 S	1/2006	Tseng		
D520,255 S *	5/2006	King	.....	D6/370
D541,547 S *	5/2007	Goldstein	.....	D6/381
D543,373 S *	5/2007	Schweikarth et al.	.....	D6/379
D551,459 S *	9/2007	Zagler	.....	D6/379
D557,919 S *	12/2007	Rech	.....	D6/369
D564,247 S *	3/2008	Chipman	.....	D6/370
D571,119 S *	6/2008	Leonetti et al.	.....	D6/379

**OTHER PUBLICATIONS**

Patio Furniture Universe, "International Caravan VF-4110 Foot Bench," pp. 1-3 of 3, [http://www.patiofurnitureuniverse.com/benches/international-caravan-vf-4110-foot-bench\\_g417296.html](http://www.patiofurnitureuniverse.com/benches/international-caravan-vf-4110-foot-bench_g417296.html) (last visited Jul. 1, 2010).

All Outdoor Benches, "Richmond Deluxe Straight-Back Outdoor Bench," pp. 1-2 of 2, <http://www.alloutdoorbenches.com/outdoor-benches/garden-benches/richmonddeluxestraightbackbench.cfm> (last visited Jul. 1, 2010).

Garden Centre "Alexander Rose Broadfield FSC Karri Armchair," p. 1 of 1, <http://www.gardencentre.co.uk/fulldetails.asp?id=3165> (last visited Jul. 1, 2010).

\* cited by examiner

*Primary Examiner* — Ricky Pham

(74) *Attorney, Agent, or Firm* — Leanne Taveggia Farrell; Westman, Champlin & Kelly, P.A.

(57) **CLAIM**

The ornamental design for a chair, as shown and described.

**DESCRIPTION**

FIG. 1 is a perspective view of one embodiment of the chair. FIG. 2 is a left side view of the chair illustrated in FIG. 1. FIG. 3 is a right side view of the chair illustrated in FIG. 1. FIG. 4 is a top view of the chair illustrated in FIG. 1. FIG. 5 is a bottom view of the chair illustrated in FIG. 1. FIG. 6 is a front elevation view of the chair illustrated in FIG. 1. FIG. 7 is a rear elevation view of the chair illustrated in FIG. 1.

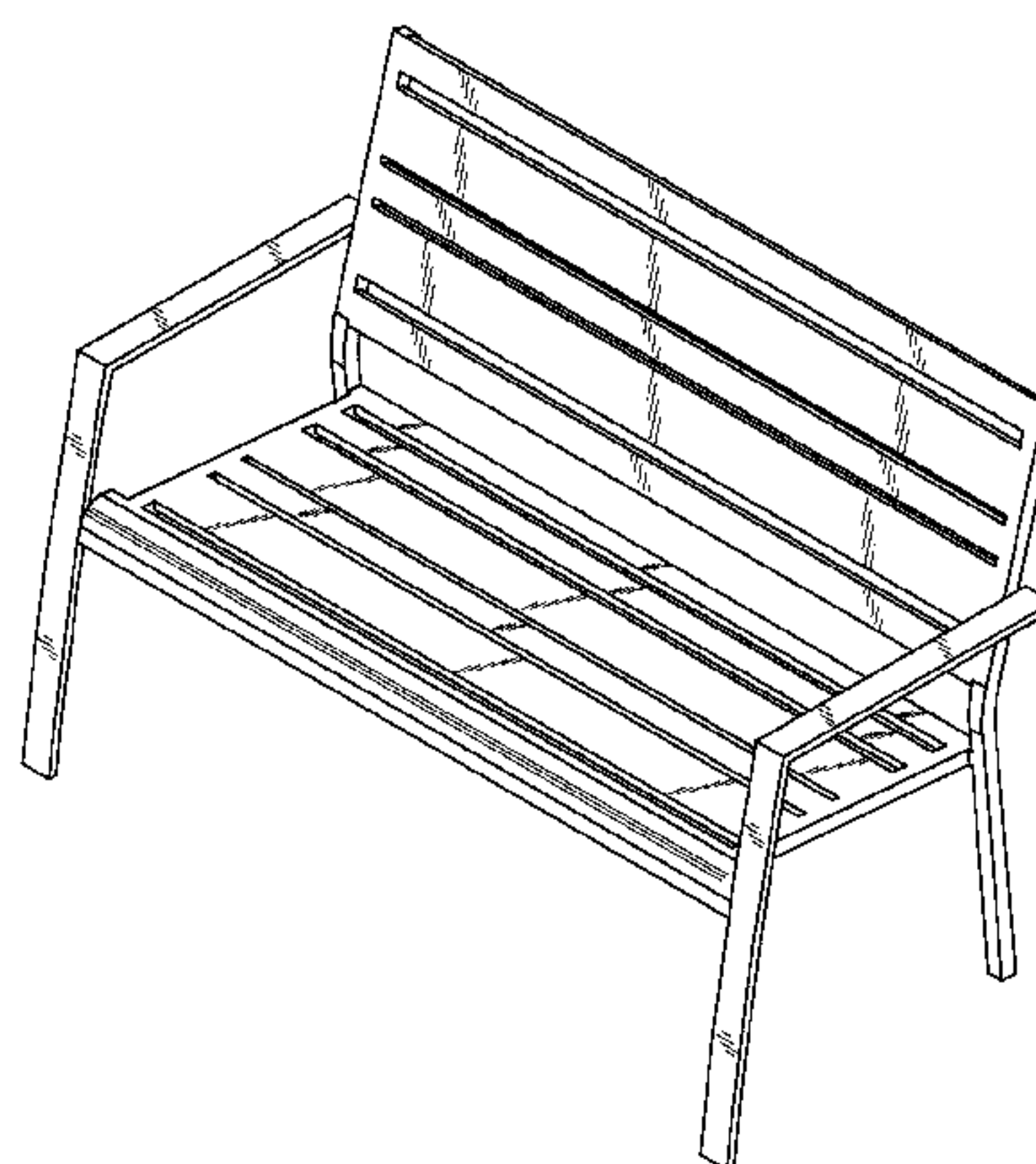
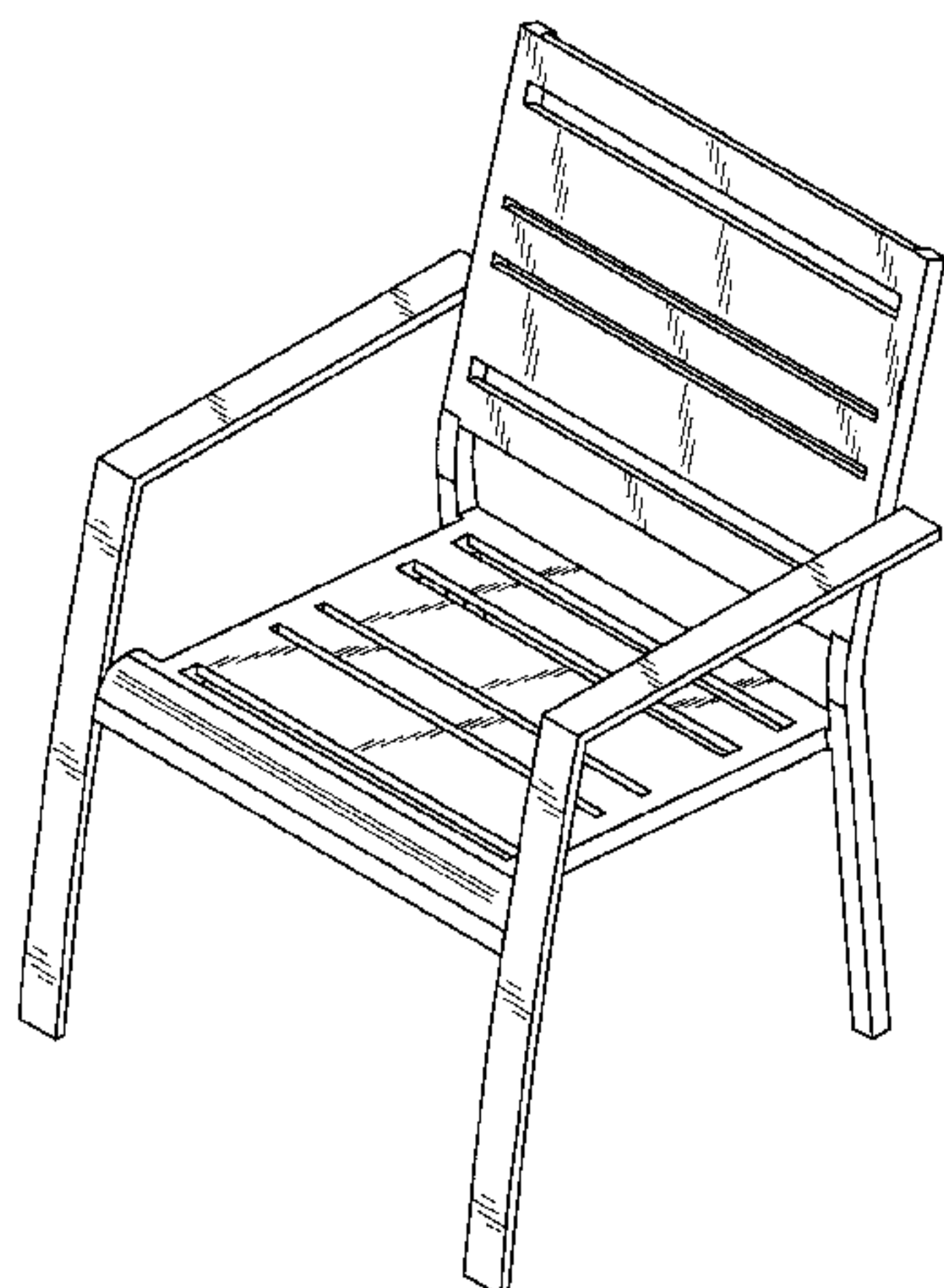


FIG. 8 is a perspective view of a second embodiment of multiple instances of the chair stacked.

FIG. 9 is a right side view of the multiple instances of the chair stacked illustrated in FIG. 8.

FIG. 10 is a left side view of the multiple instances of the chair stacked illustrated in FIG. 8.

FIG. 11 is a top view of the multiple instances of the chair stacked illustrated in FIG. 8.

FIG. 12 is a bottom view of the multiple instances of the chair stacked illustrated in FIG. 8.

FIG. 13 is a front elevation view of the multiple instances of the chair stacked illustrated in FIG. 8.

FIG. 14 is a back elevation view of the multiple instances of the chair stacked illustrated in FIG. 8.

FIG. 15 is a perspective view of a third embodiment of the chair.

FIG. 16 is a left side view of the chair illustrated in FIG. 15.

FIG. 17 is a right side view of the chair illustrated in FIG. 15.

FIG. 18 is a top view of the chair illustrated in FIG. 15.

FIG. 19 is a bottom view of the chair illustrated in FIG. 15.

FIG. 20 is a front elevation view of the chair illustrated in FIG. 15.

FIG. 21 is a rear elevation view of the chair illustrated in FIG. 15.

FIG. 22 is a perspective view of a fourth embodiment of multiple instances of the chair stacked.

FIG. 23 is a right side view of the multiple instances of the chair stacked illustrated in FIG. 22.

FIG. 24 is a left side view of the multiple instances of the chair stacked illustrated in FIG. 22.

FIG. 25 is a top view of the multiple instances of the chair stacked illustrated in FIG. 22.

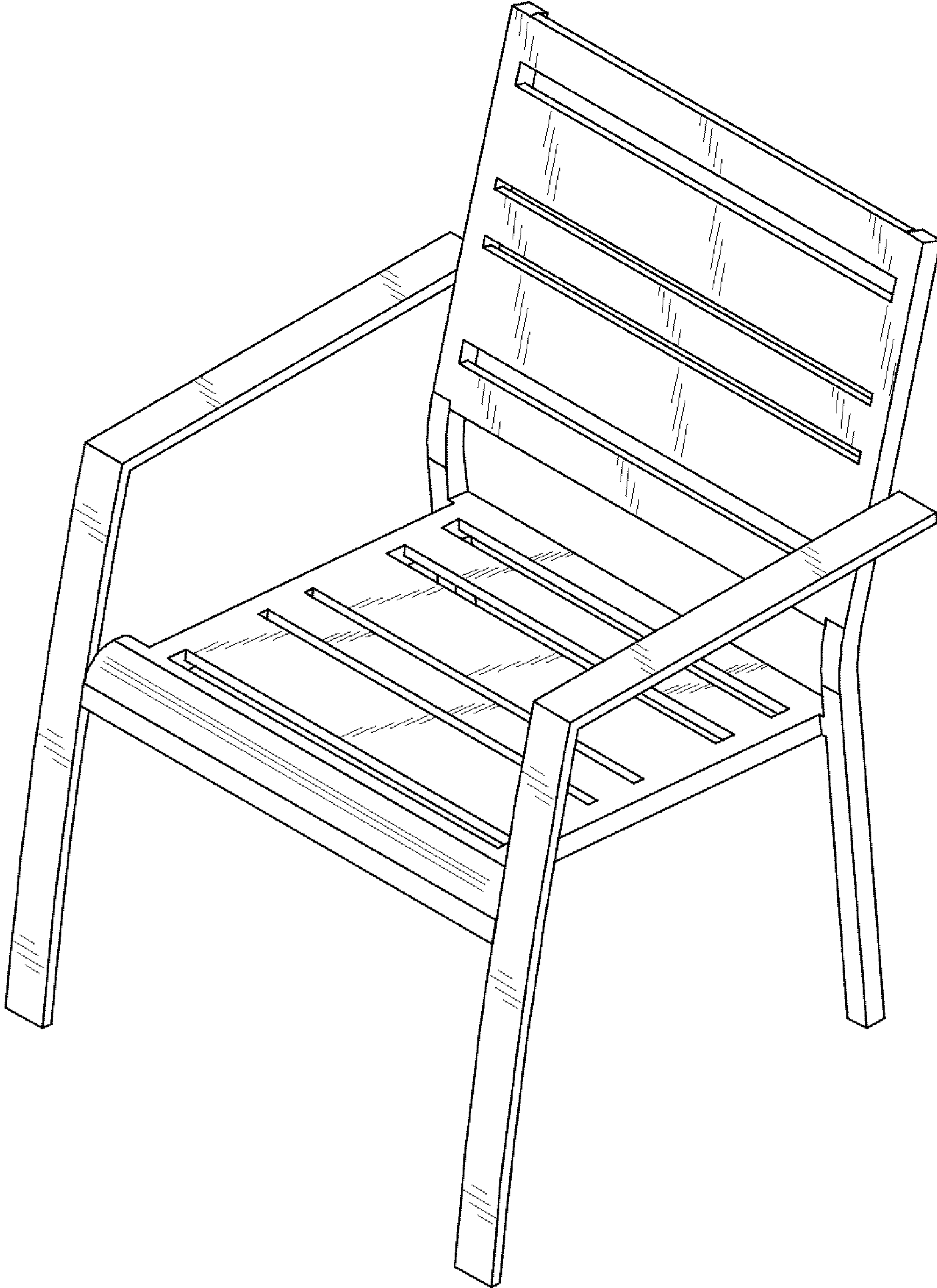
FIG. 26 is a bottom view of the multiple instances of the chair stacked illustrated in FIG. 22.

FIG. 27 is a front elevation view of the multiple instances of the chair stacked illustrated in FIG. 22; and,

FIG. 28 is a back elevation view of the multiple instances of the chair stacked illustrated in FIG. 22.

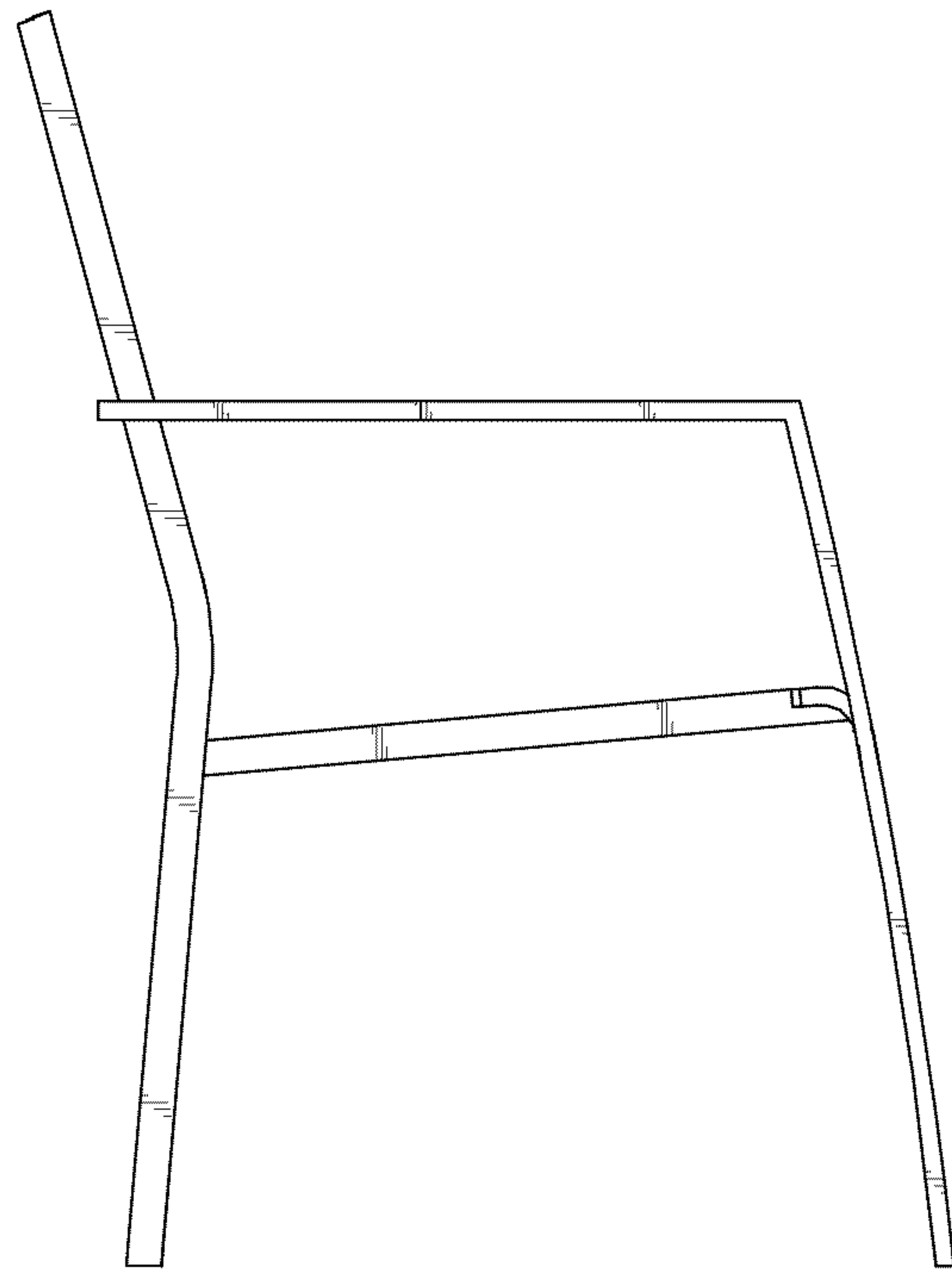
The dashed lines in FIGS. 8-14 and 22-28 do not form any part of the claimed design for the chair.

**1 Claim, 16 Drawing Sheets**

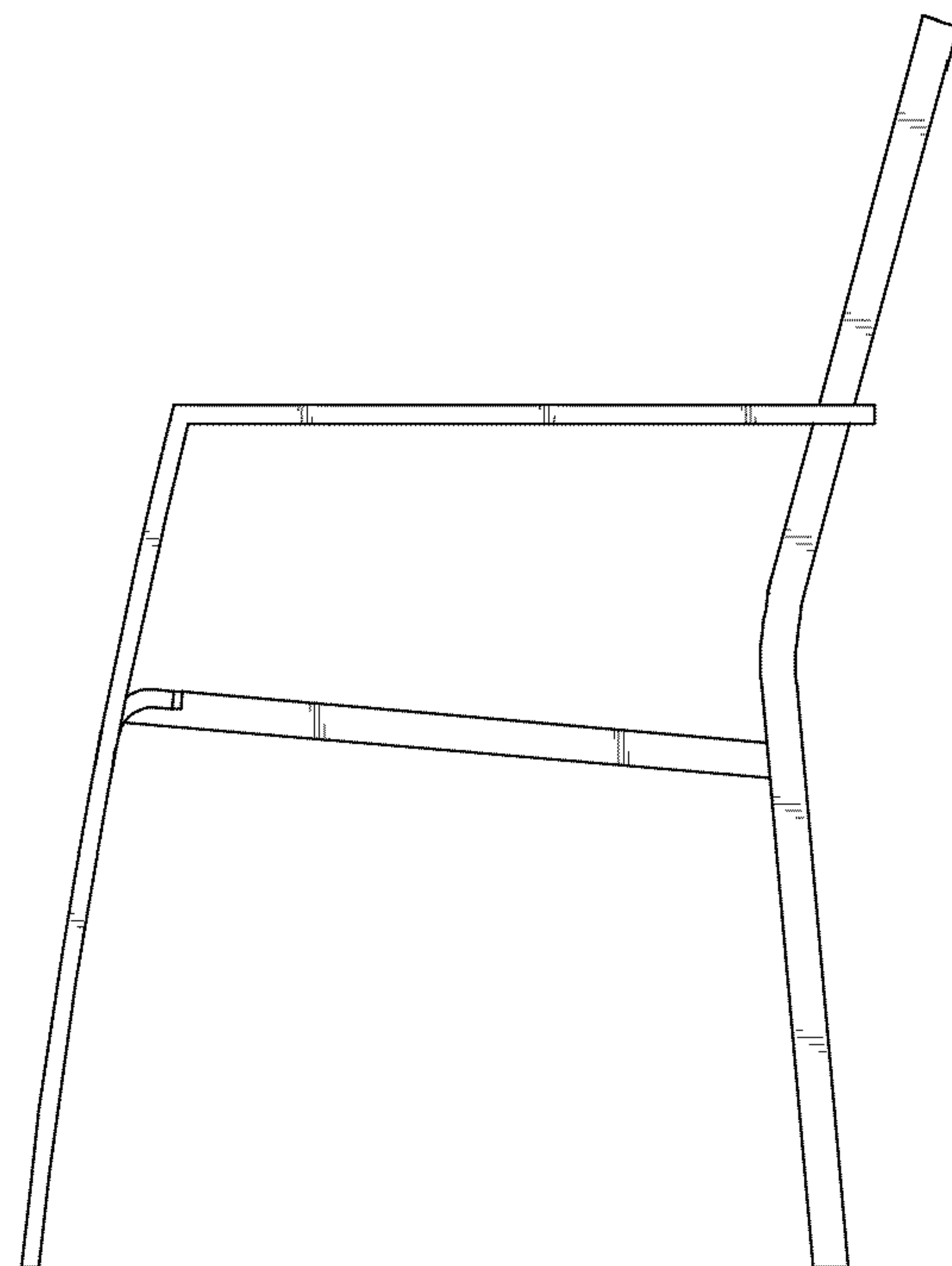


*FIG. 1*

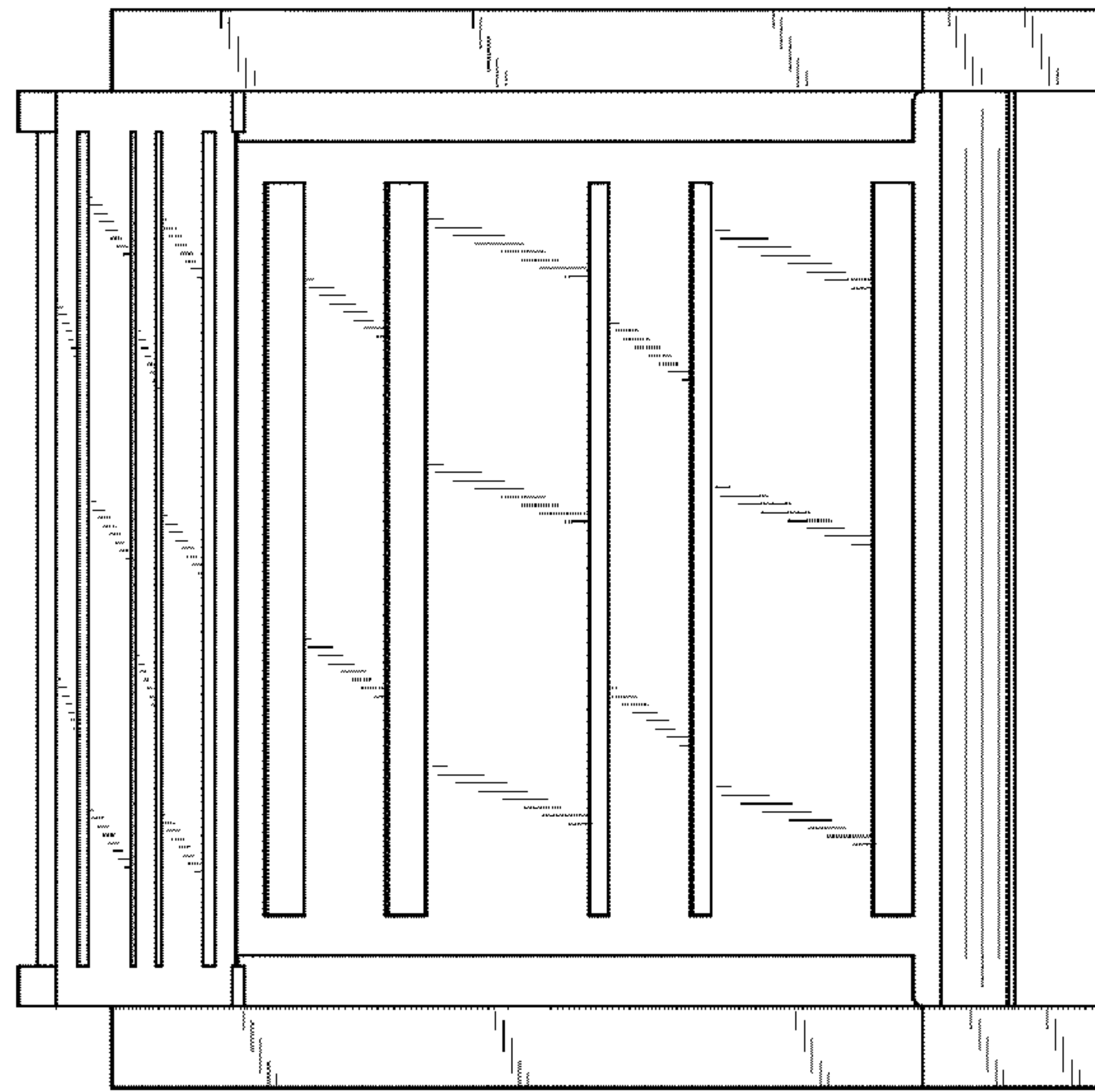




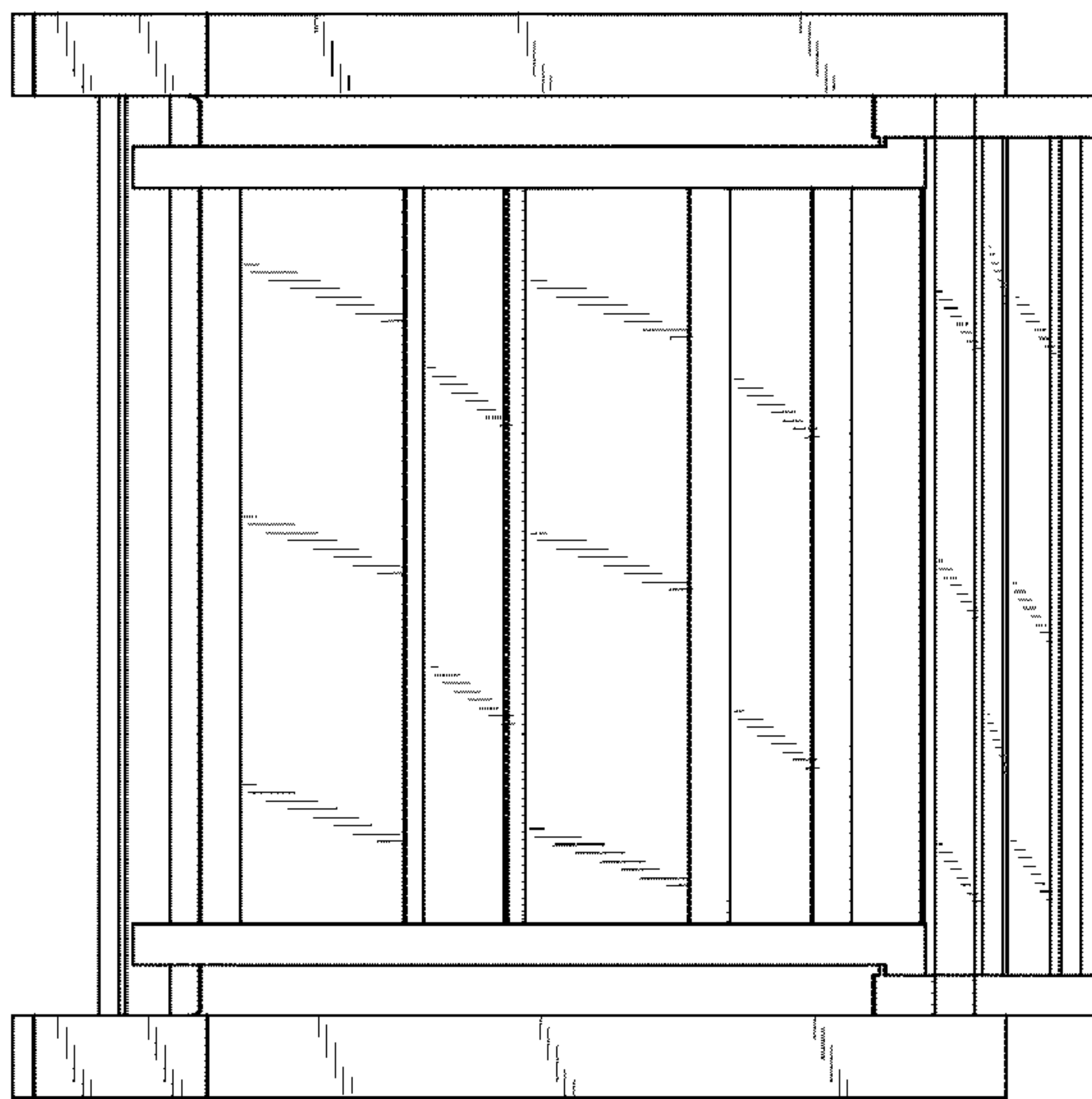
*FIG. 2*



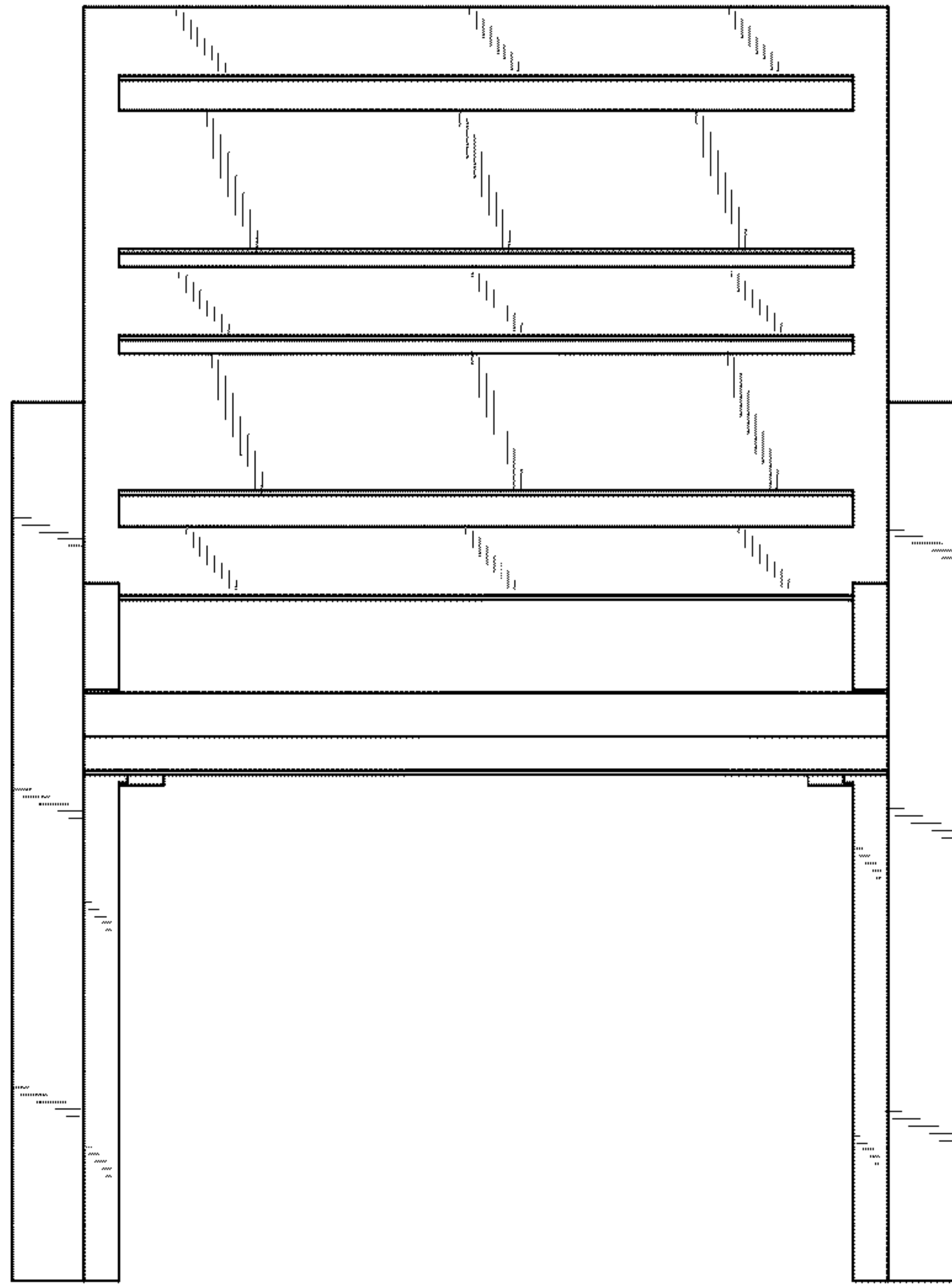
*FIG. 3*



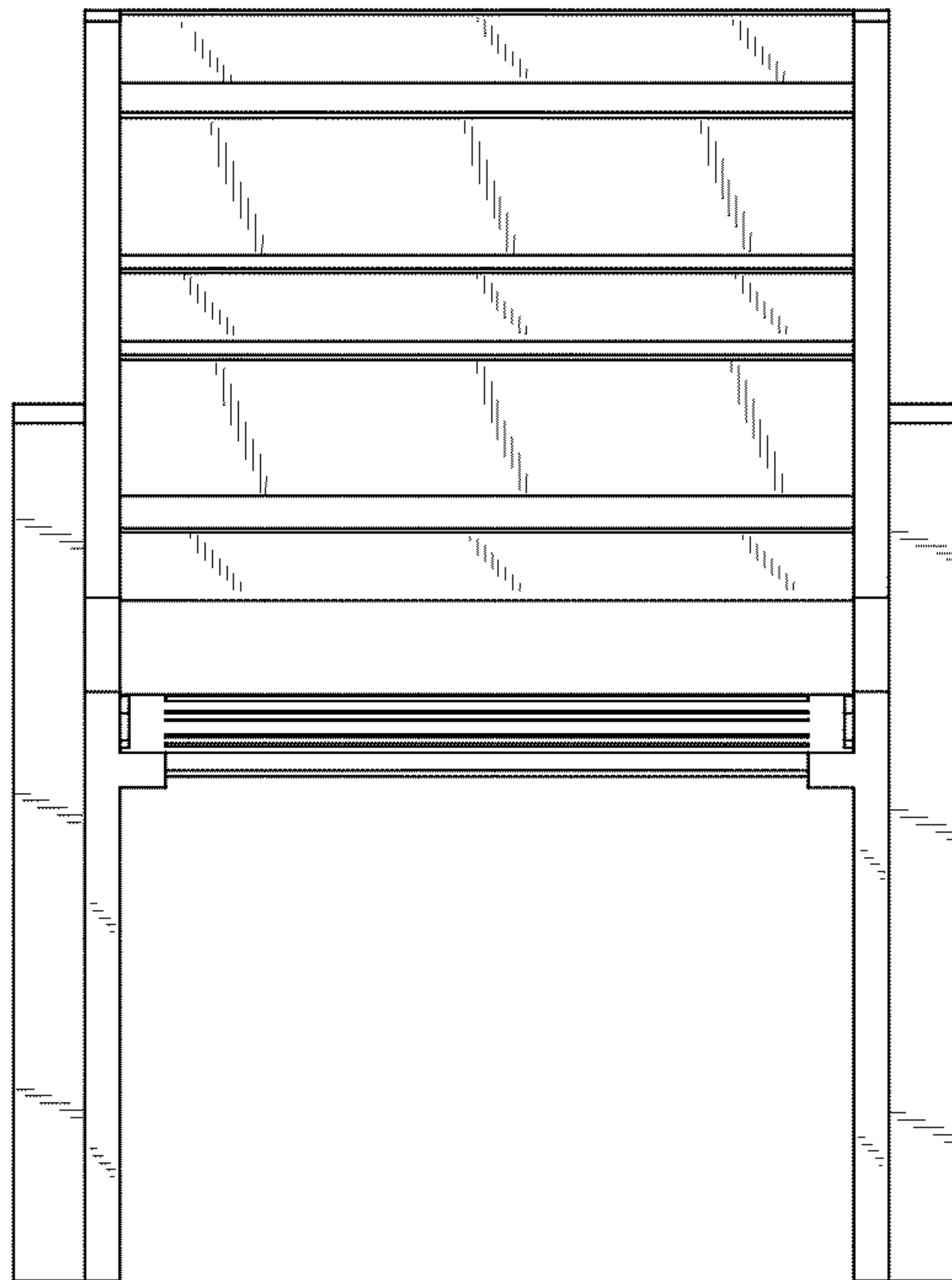
*FIG. 4*



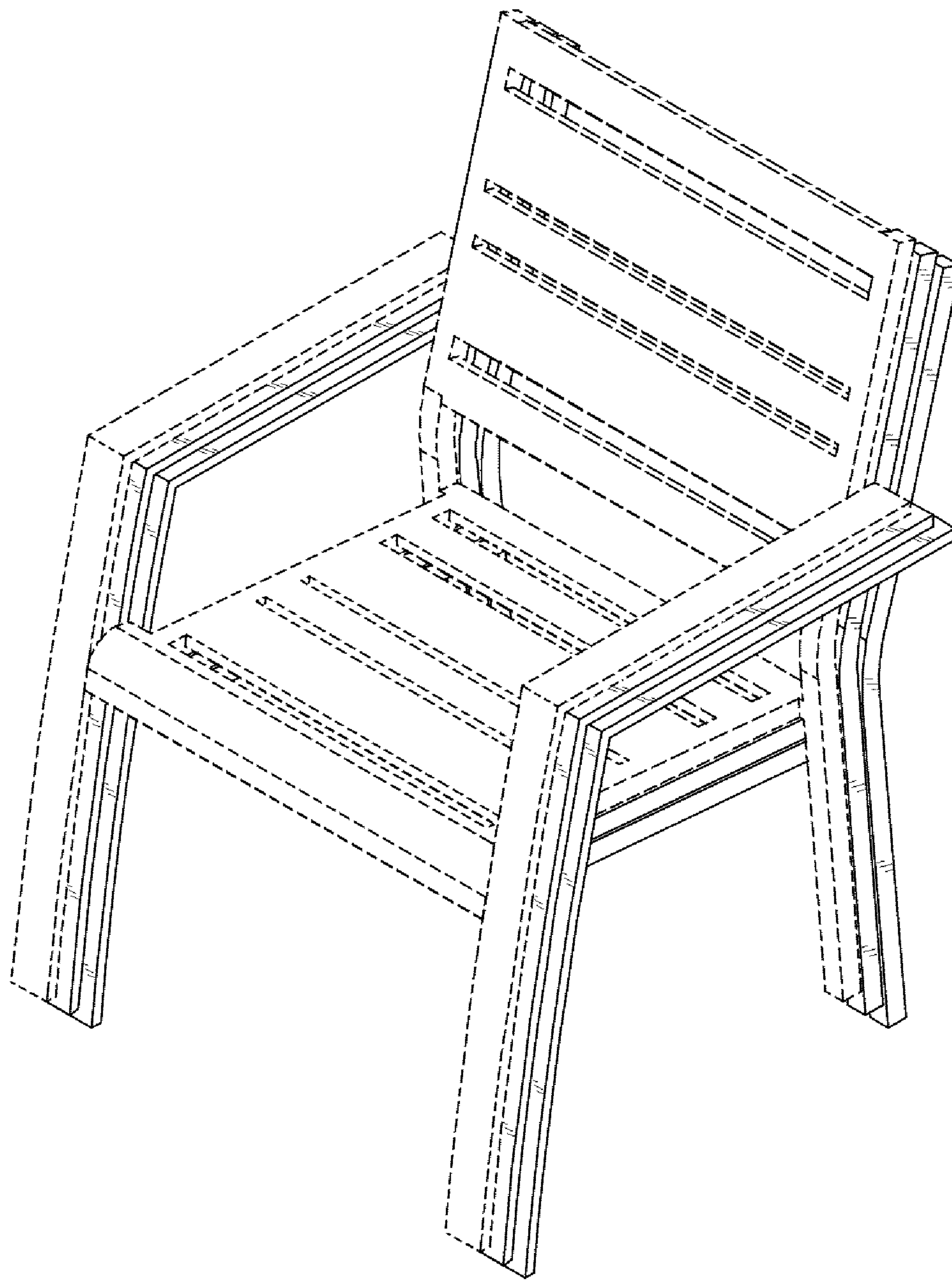
*FIG. 5*



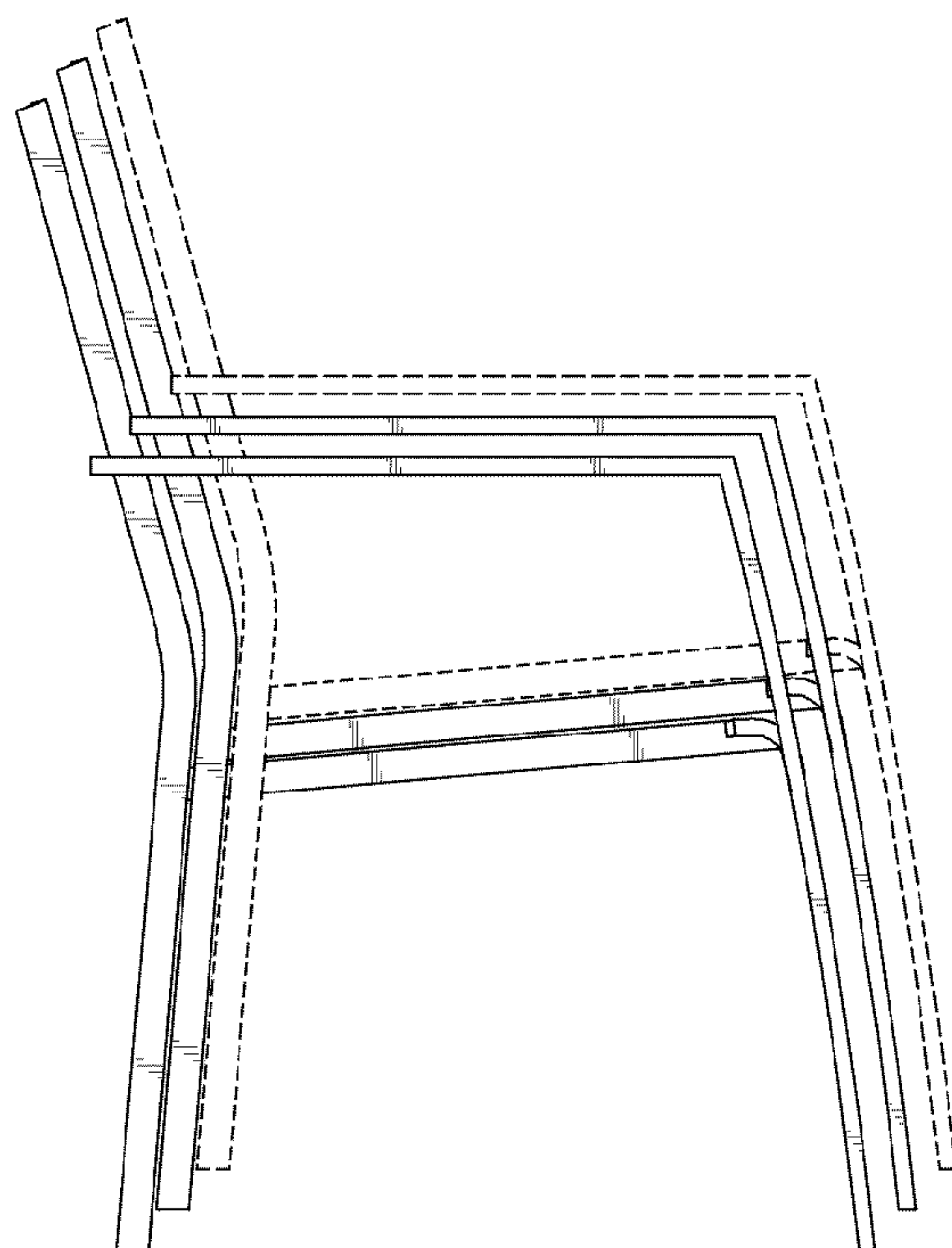
*FIG. 6*



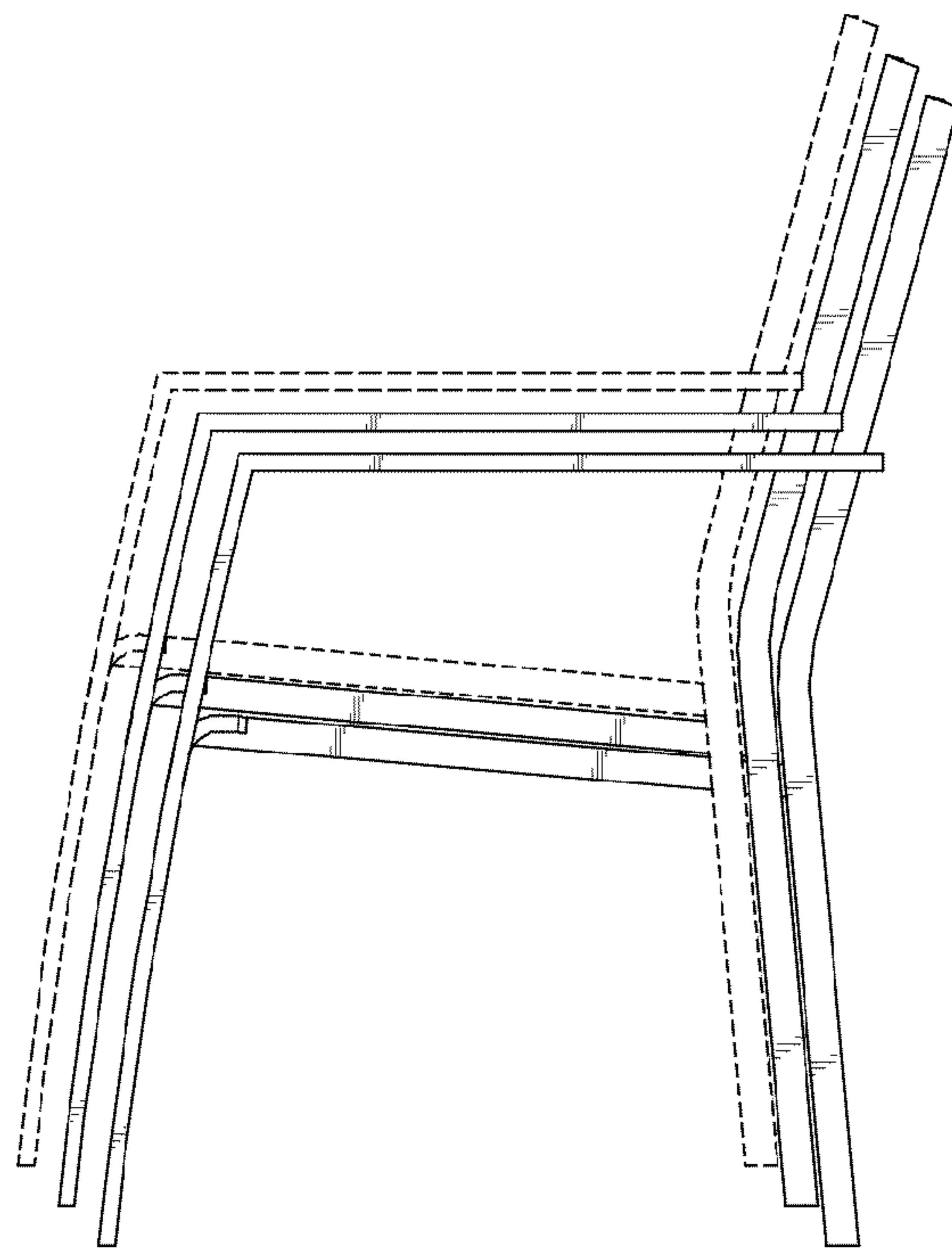
*FIG. 7*



**FIG. 8**

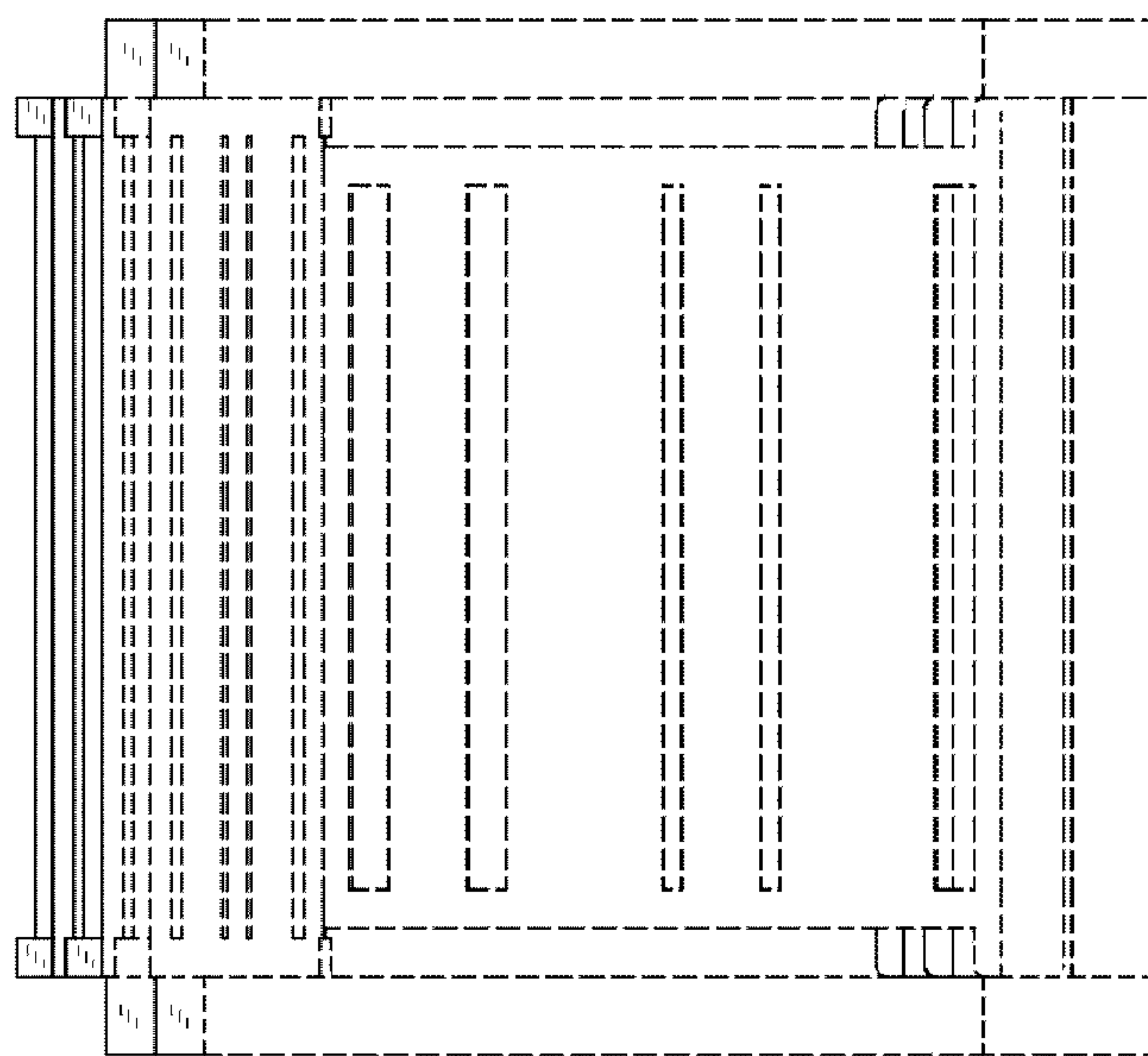


*FIG. 9*

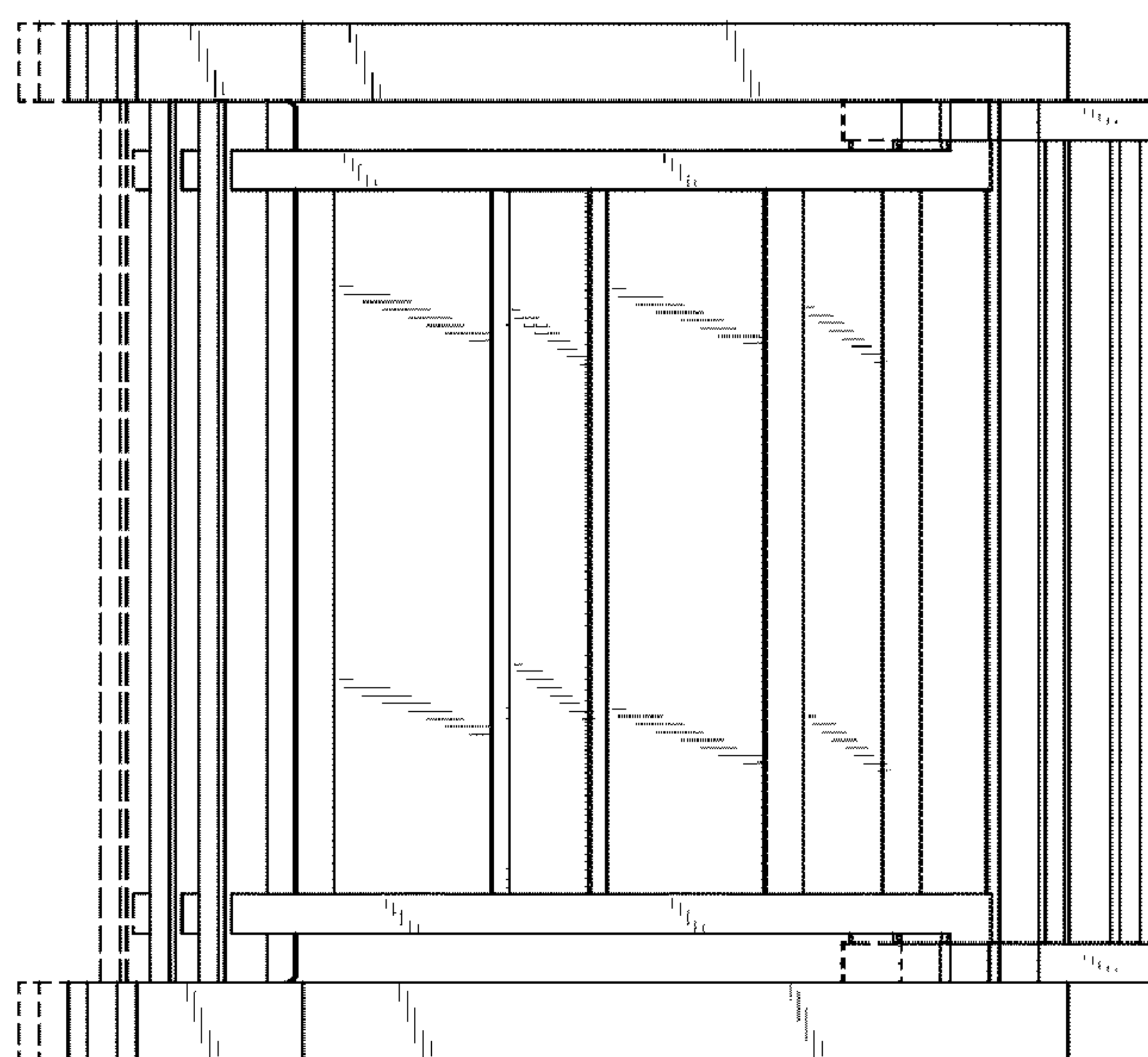


*FIG. 10*

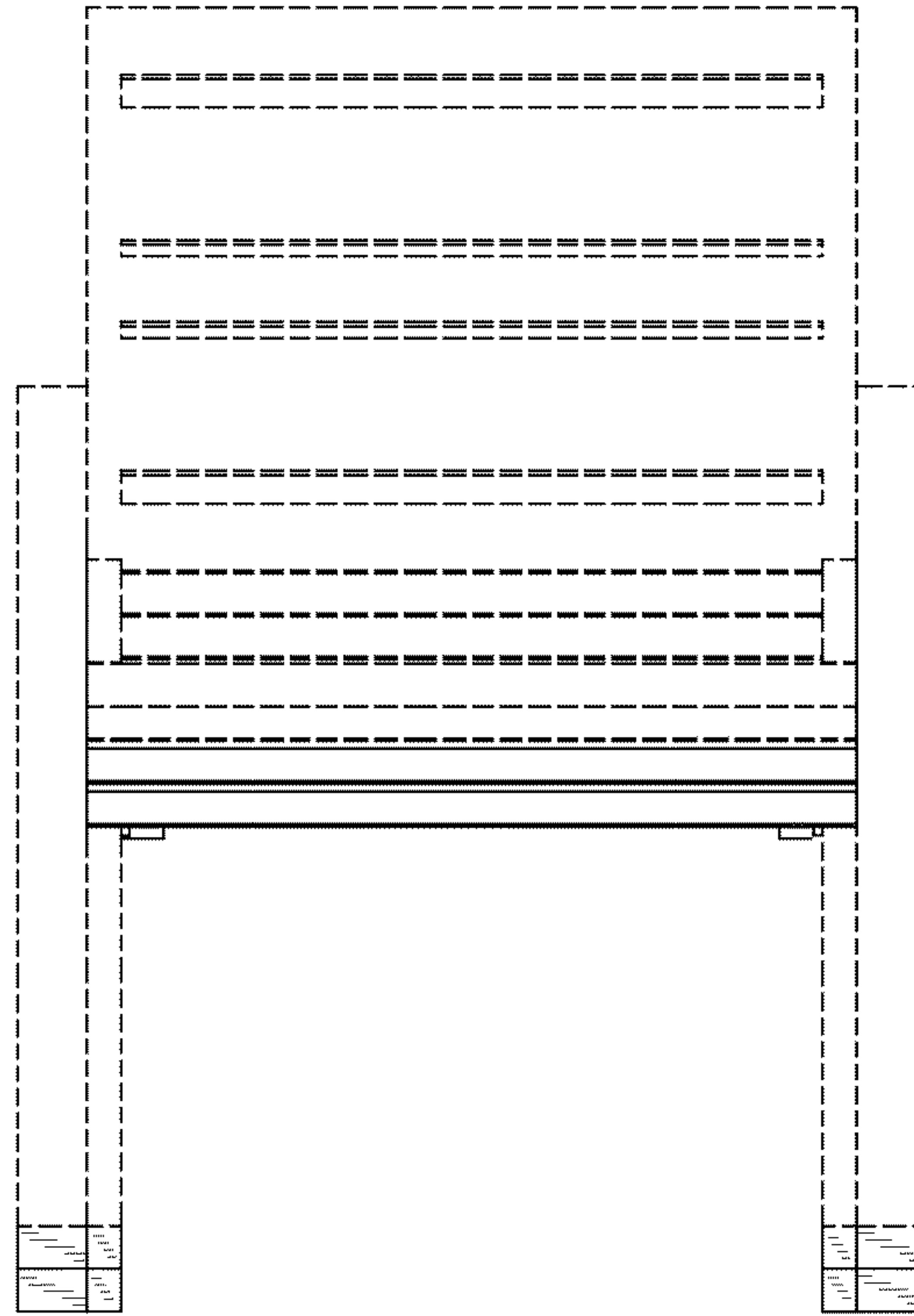




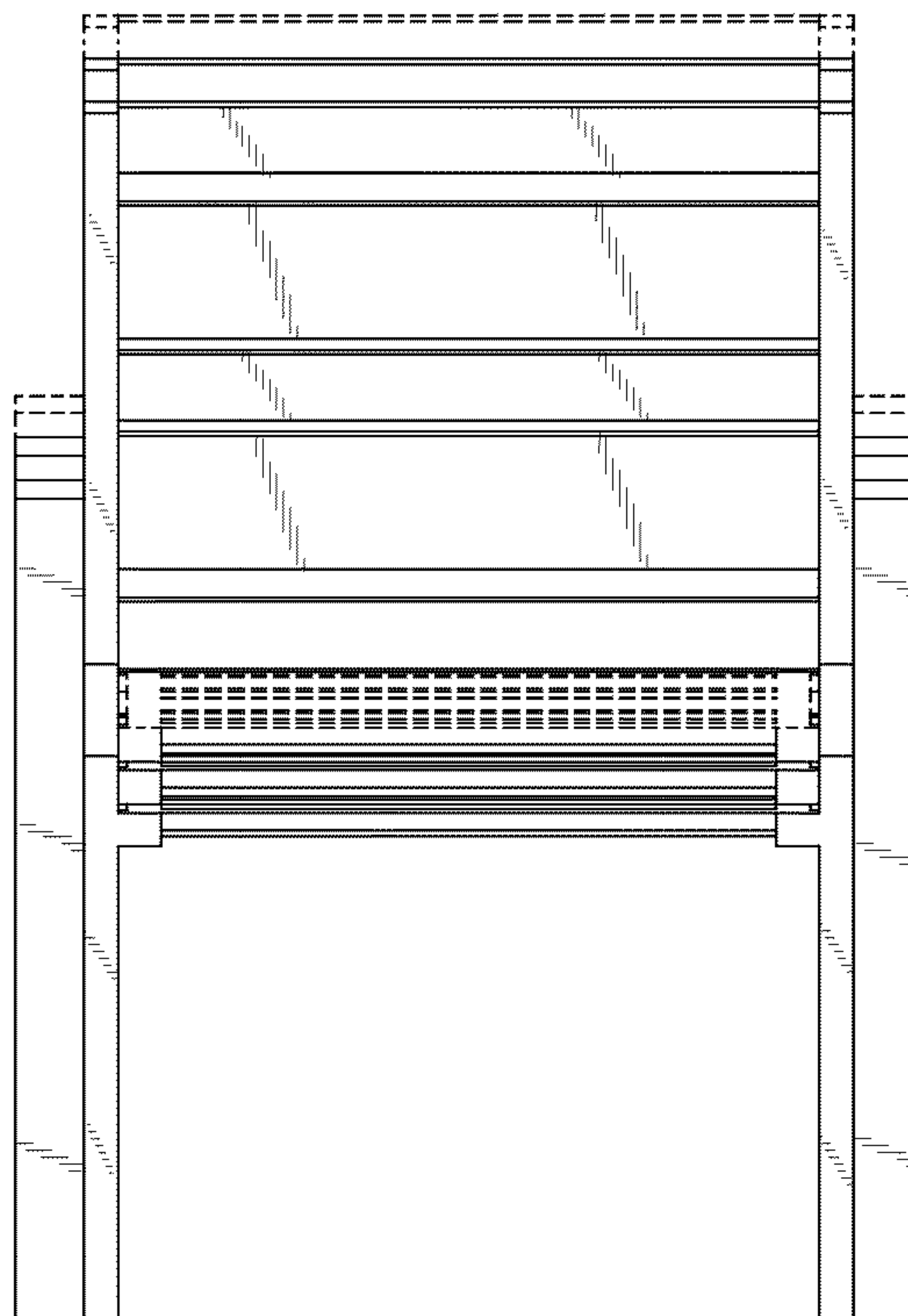
*FIG. 11*



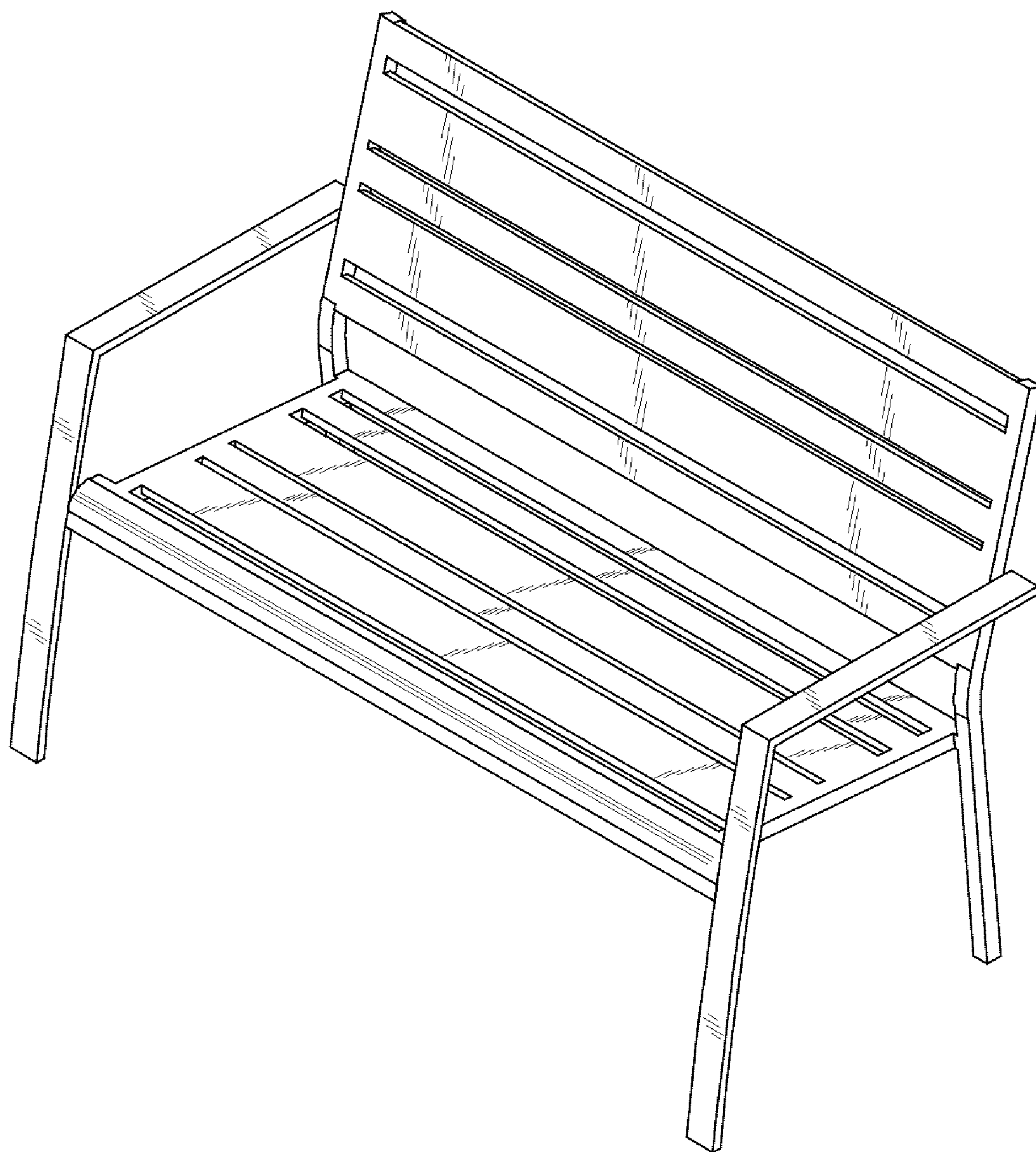
*FIG. 12*



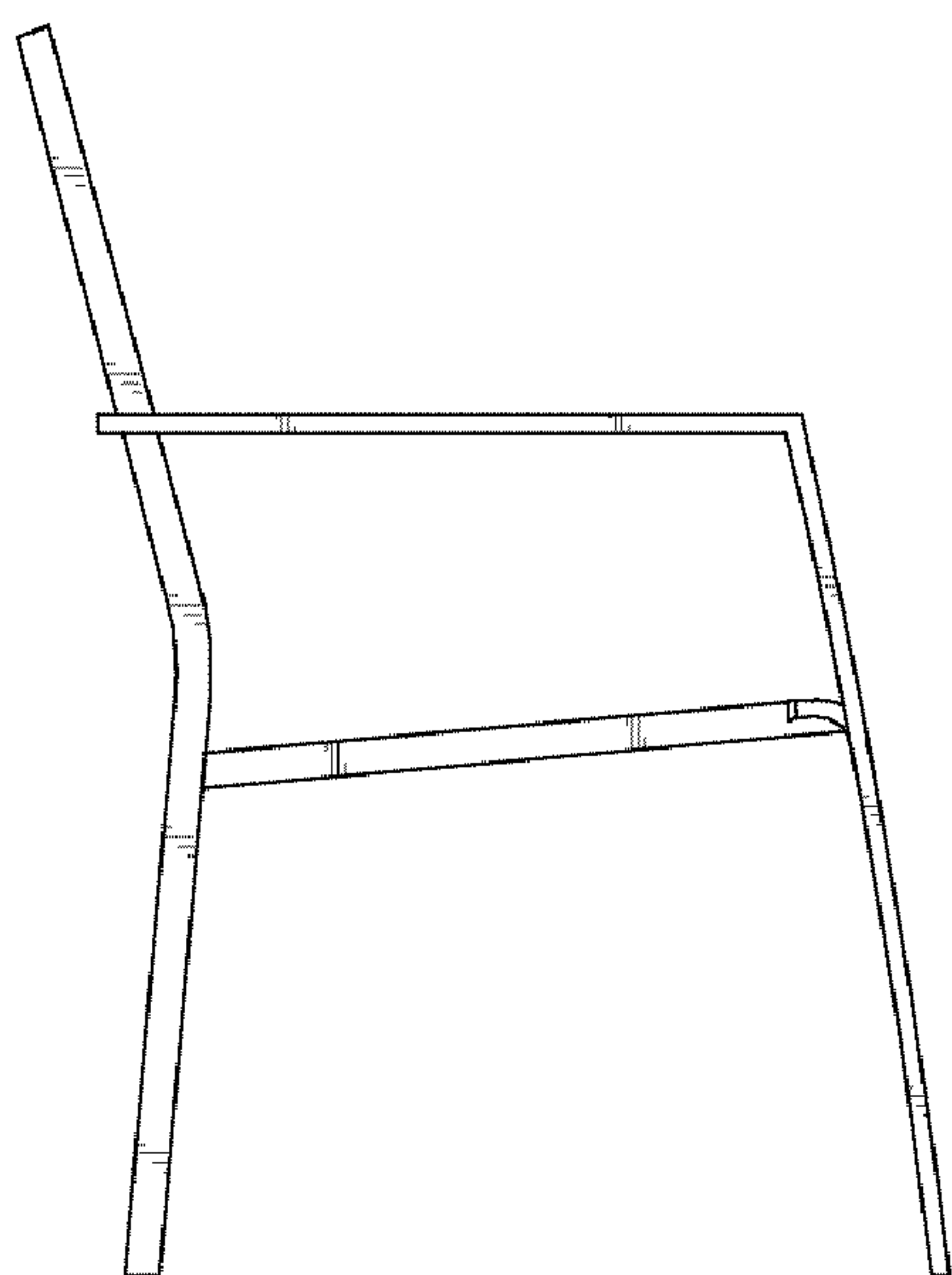
*FIG. 13*



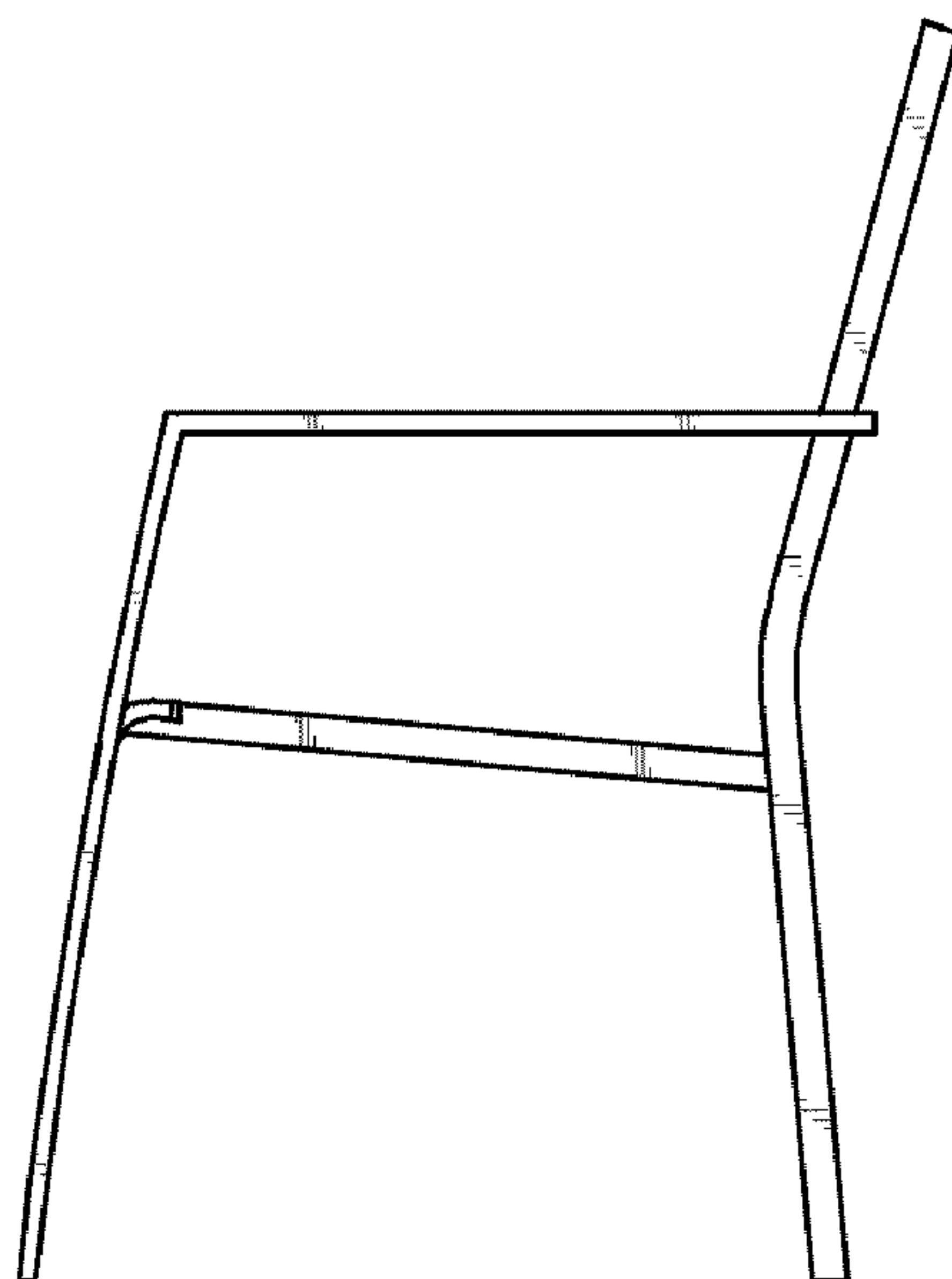
*FIG. 14*



*FIG. 15*

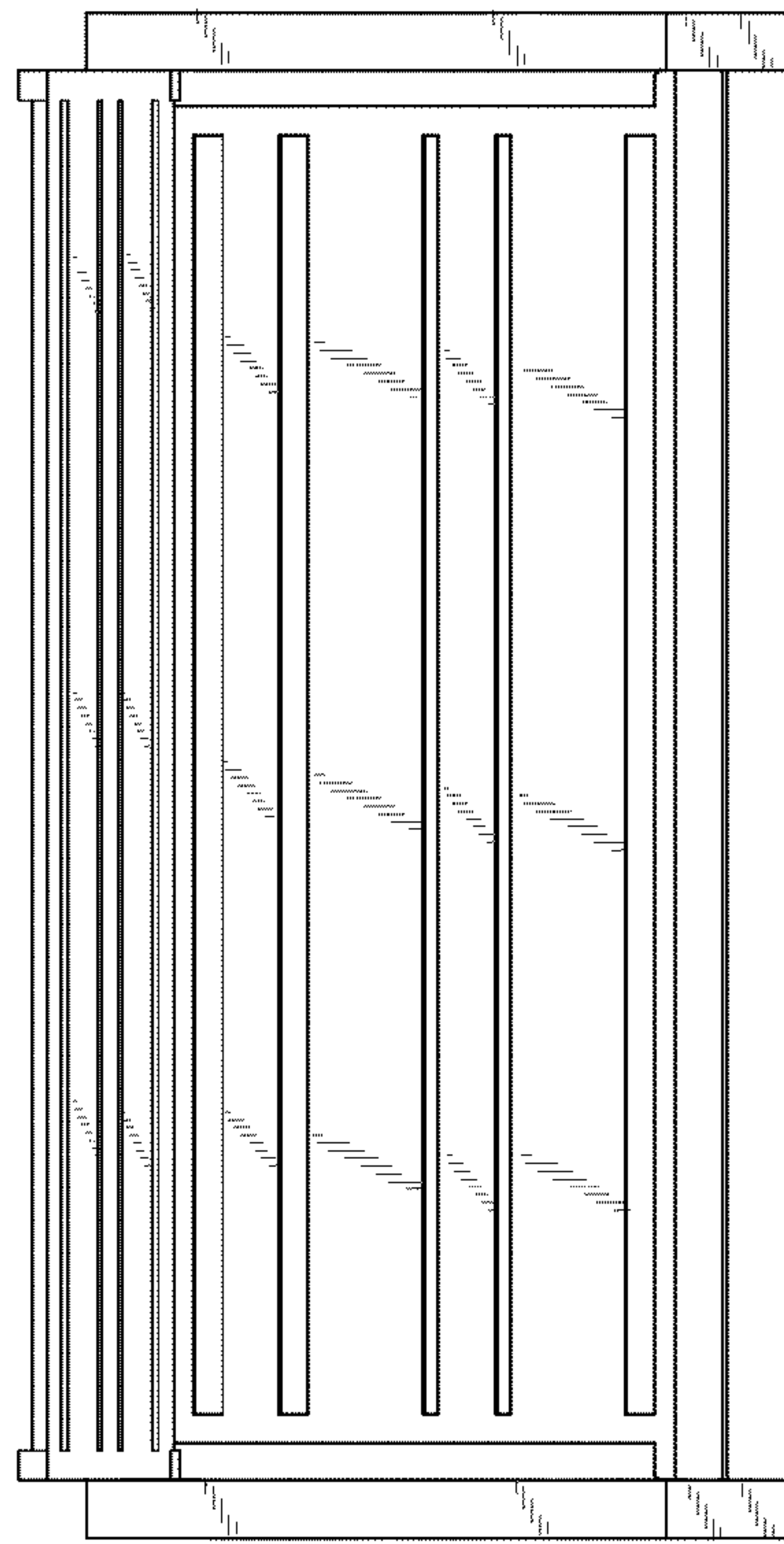


*FIG. 16*

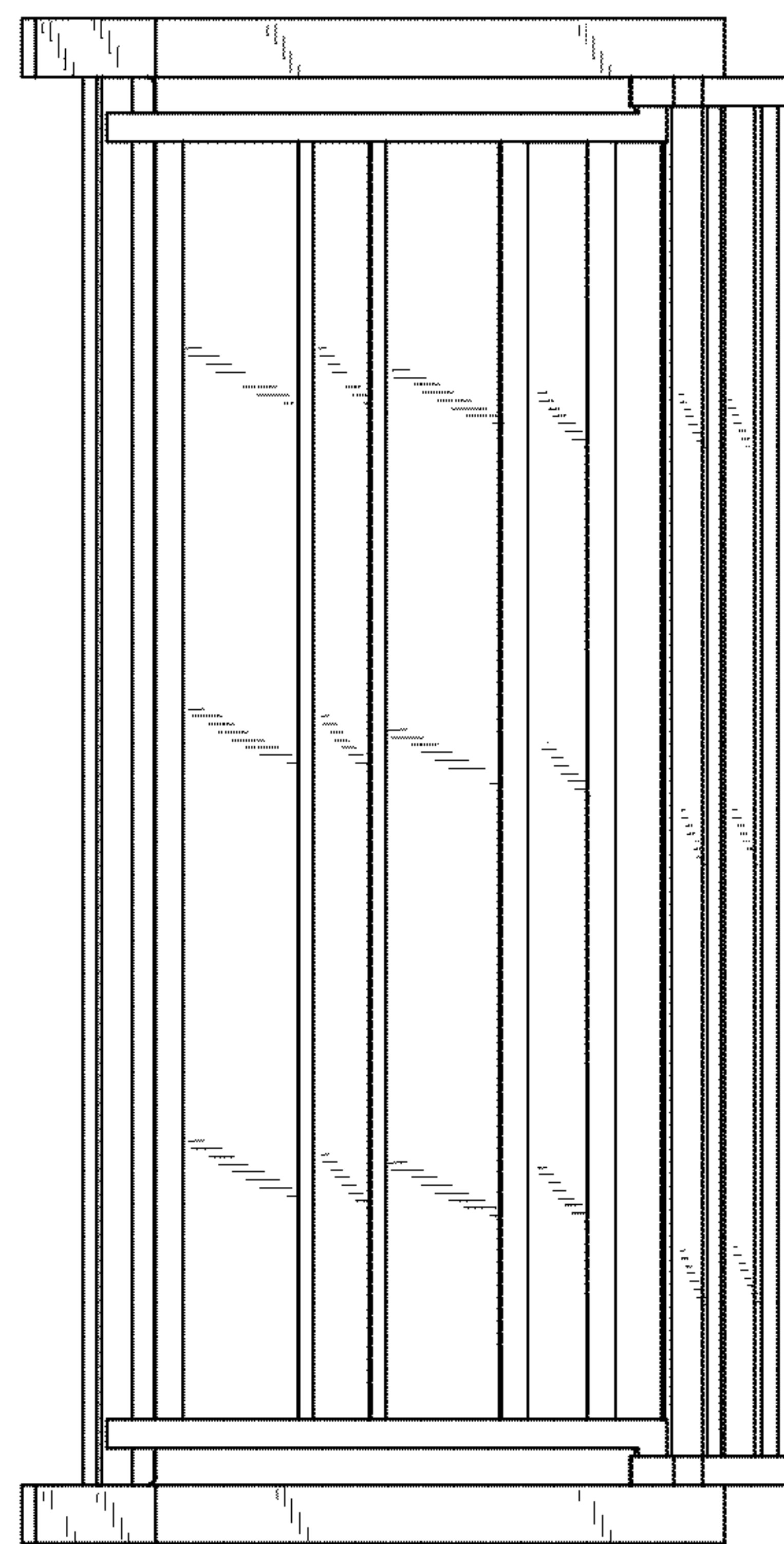


*FIG. 17*

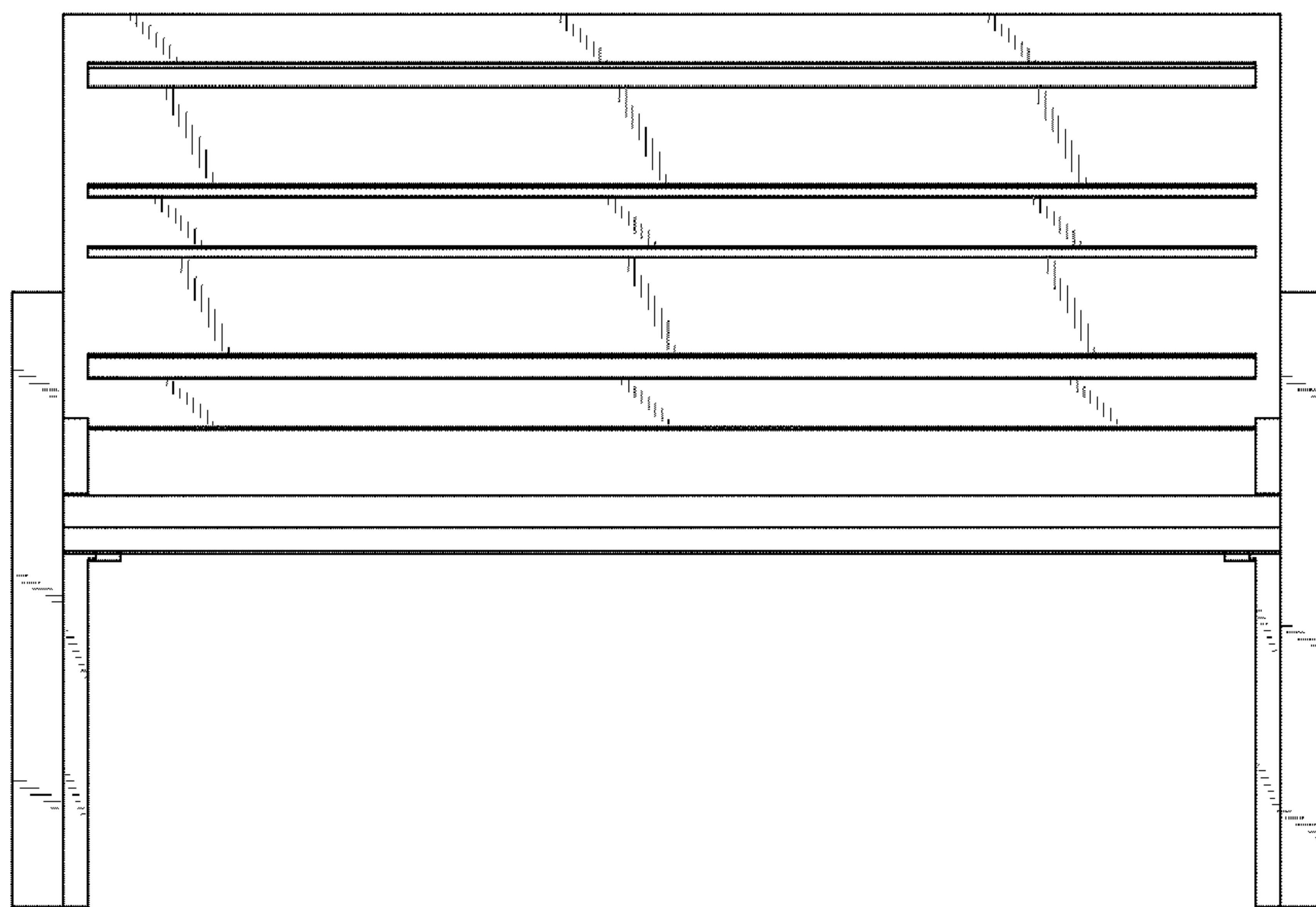




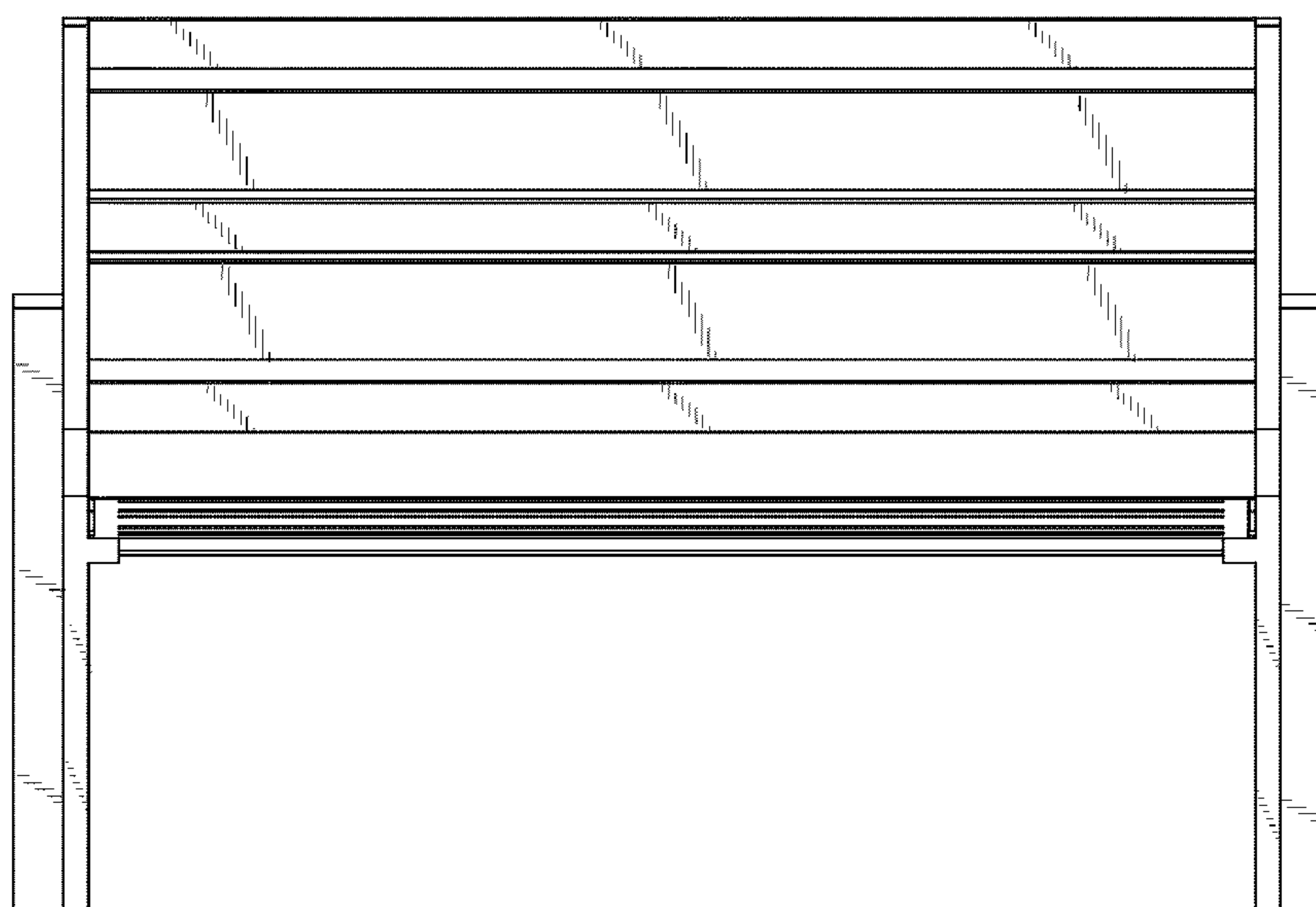
*FIG. 18*



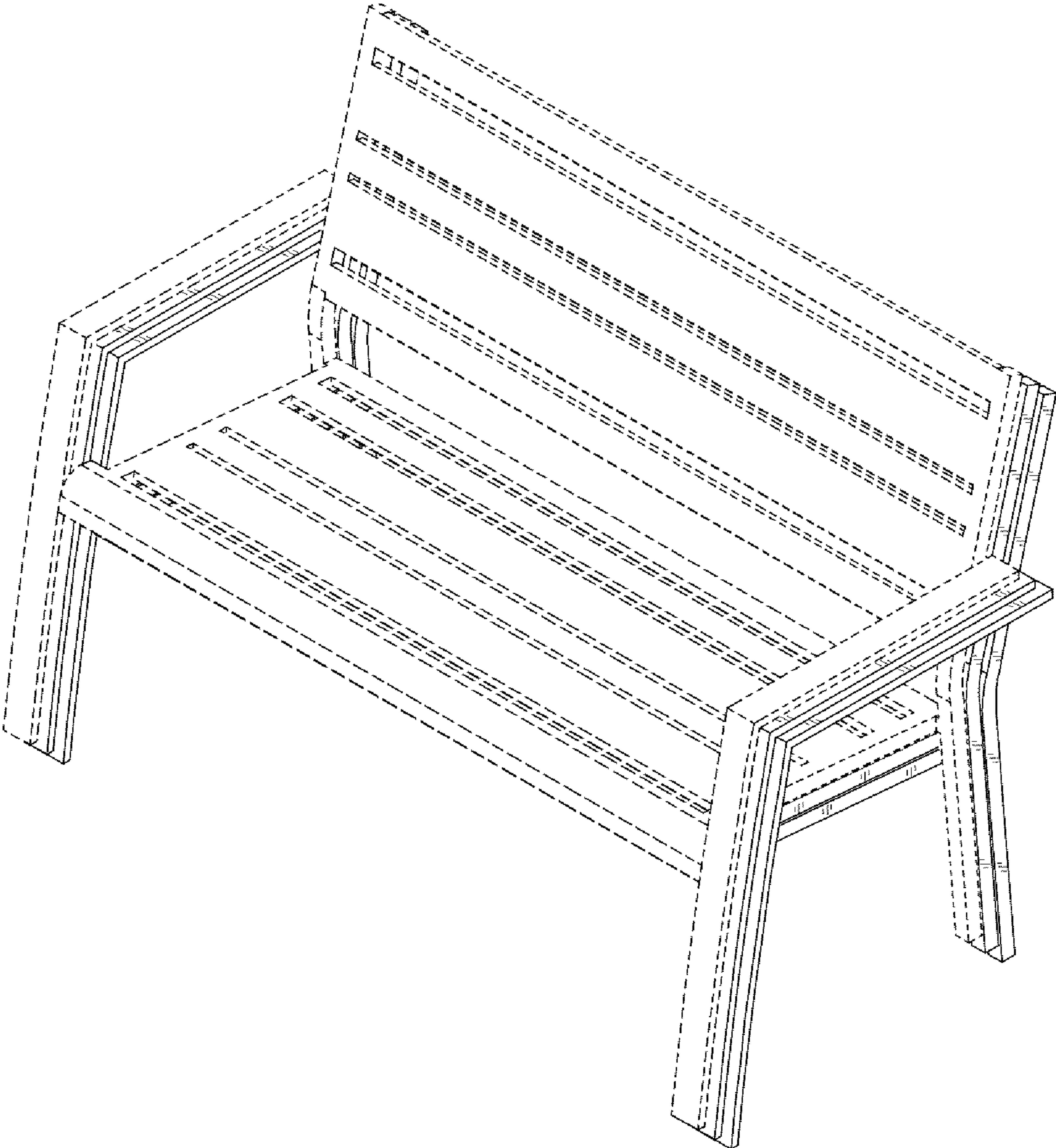
*FIG. 19*



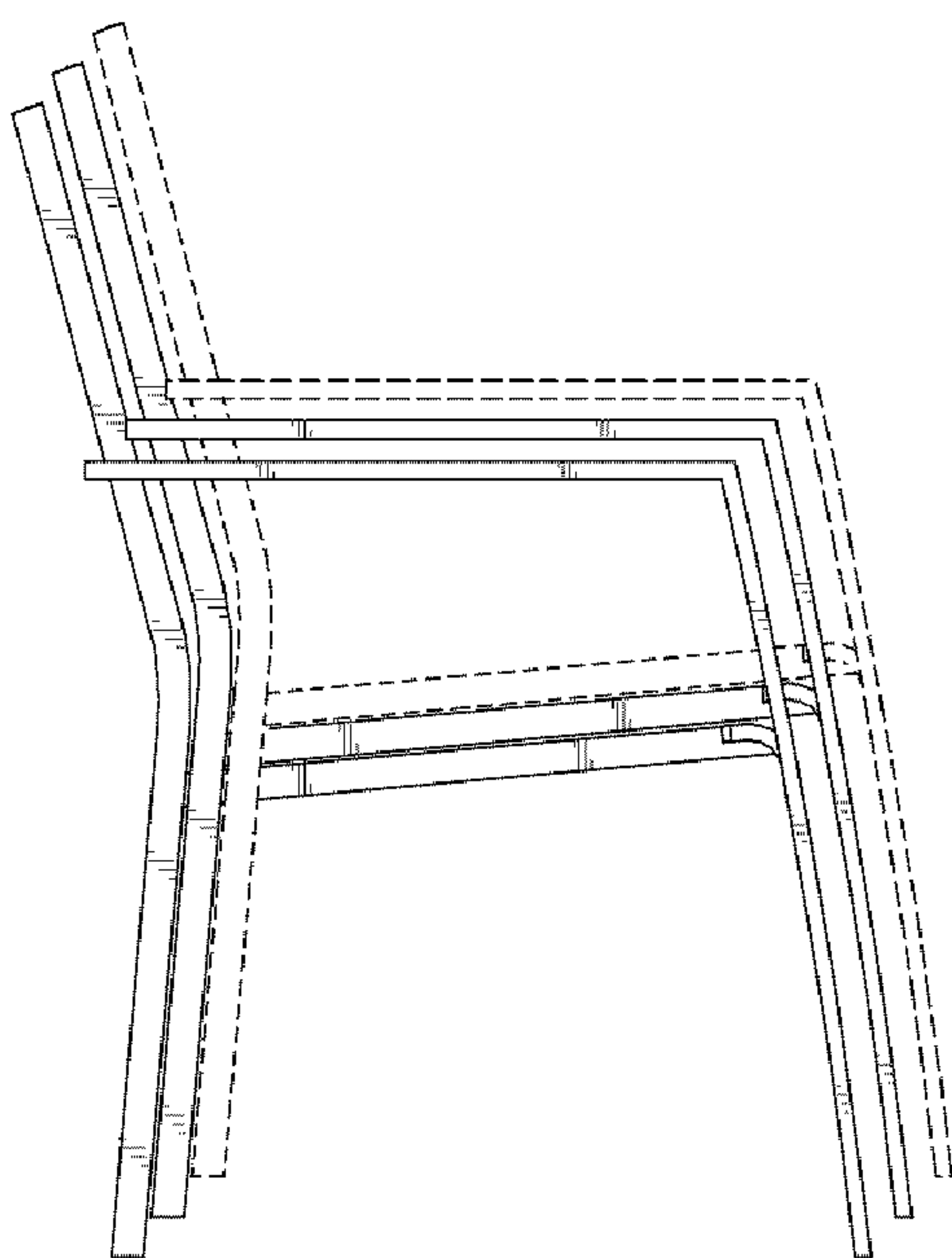
*FIG. 20*



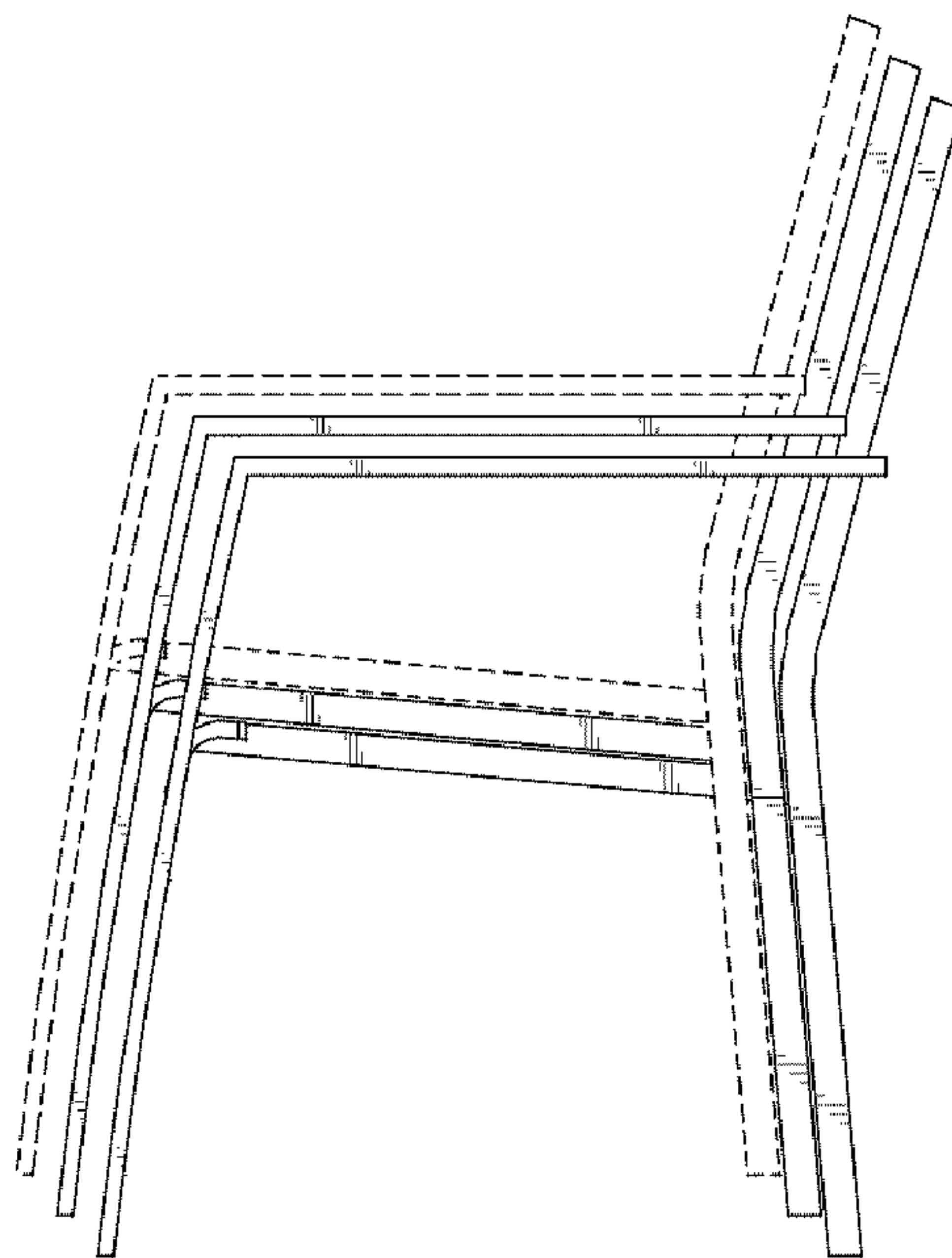
*FIG. 21*



**FIG. 22**

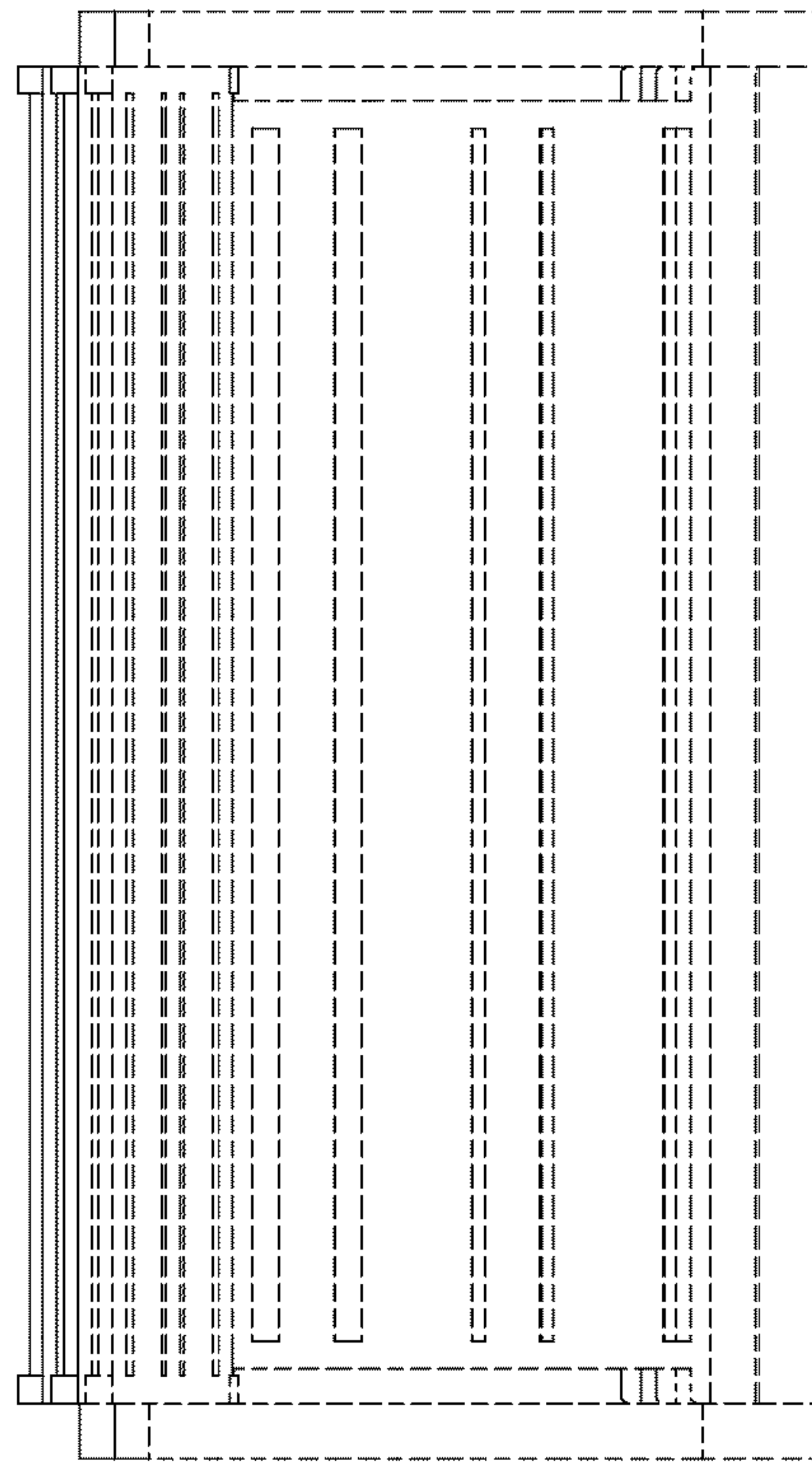


*FIG. 23*

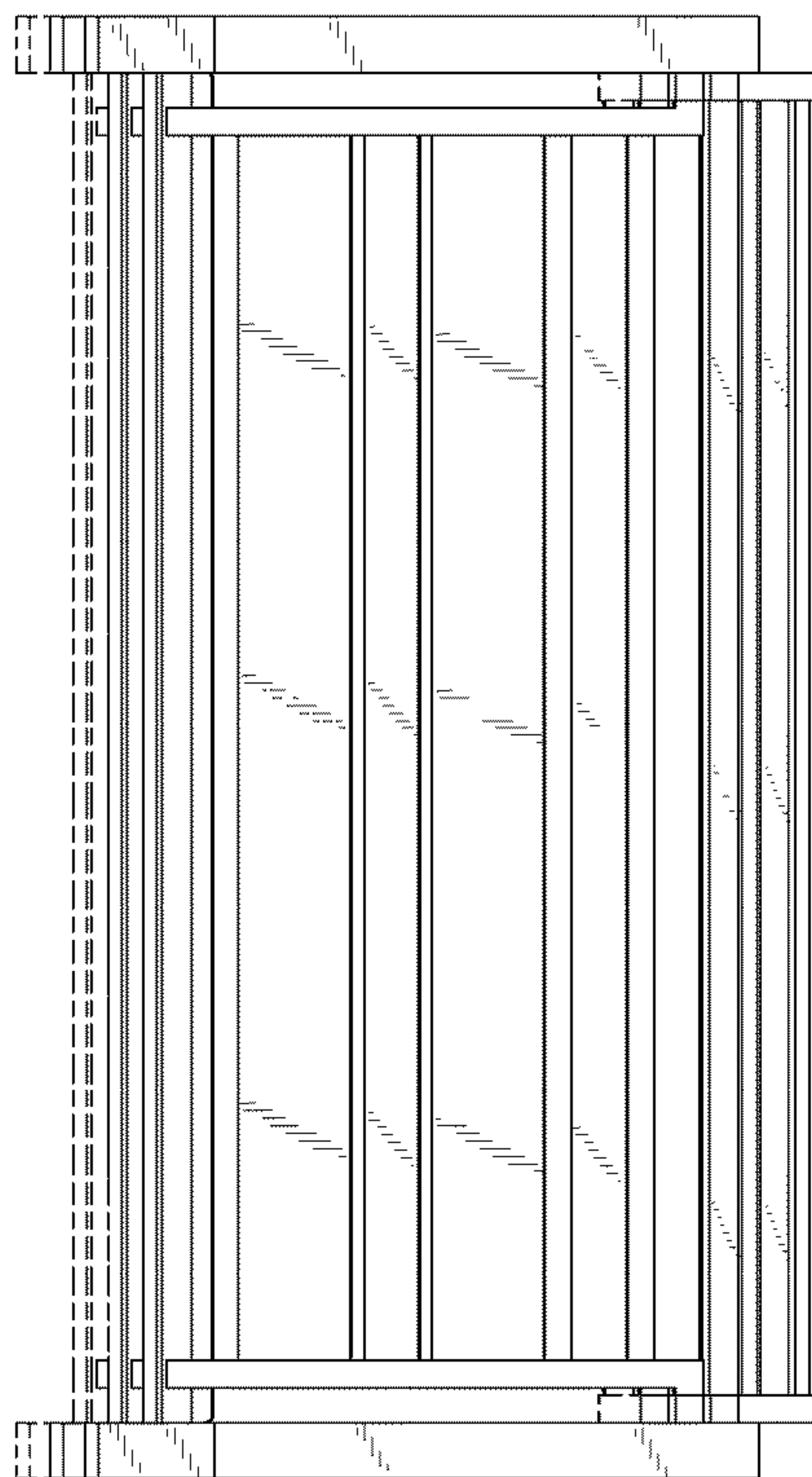


*FIG. 24*

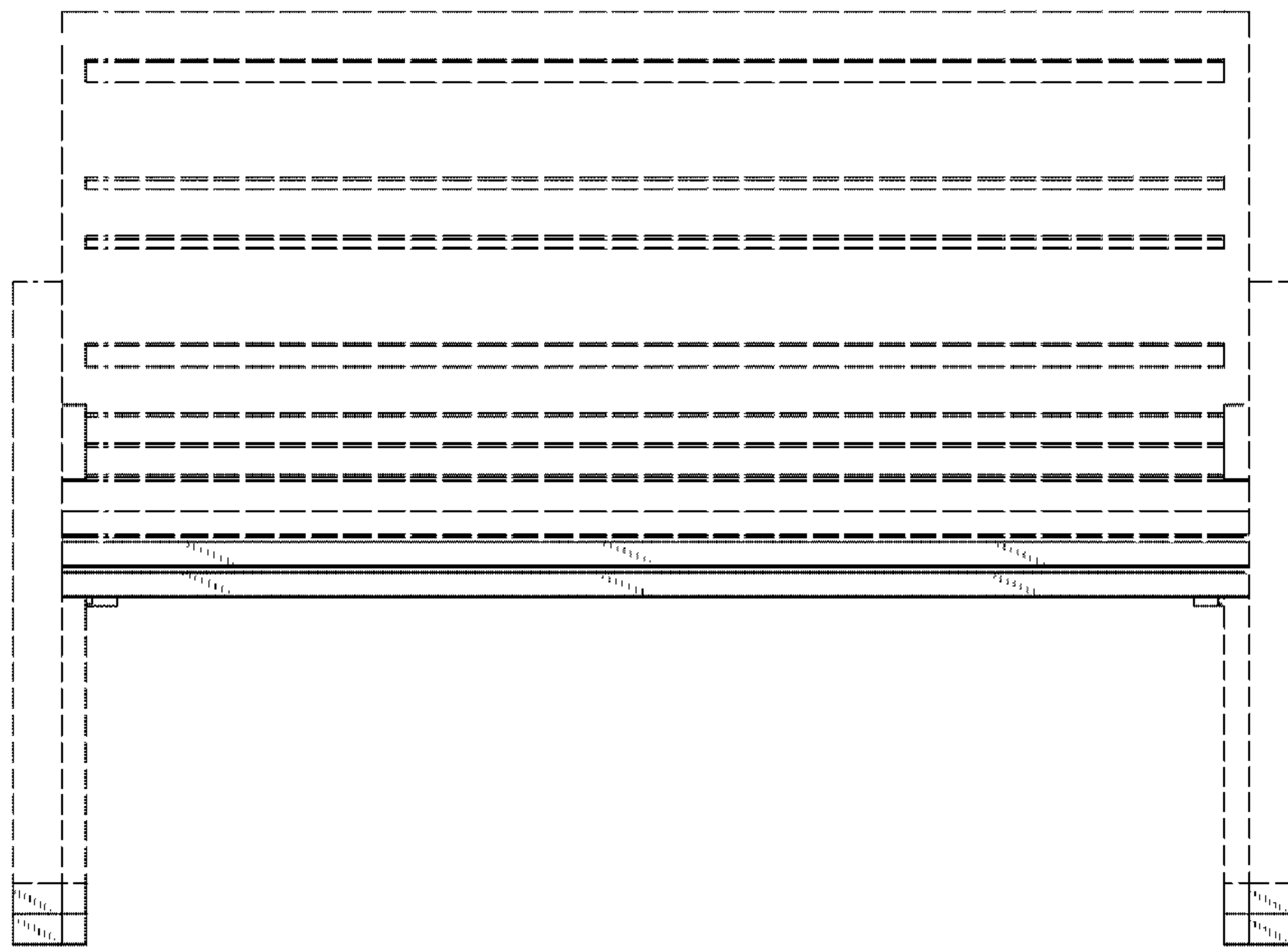




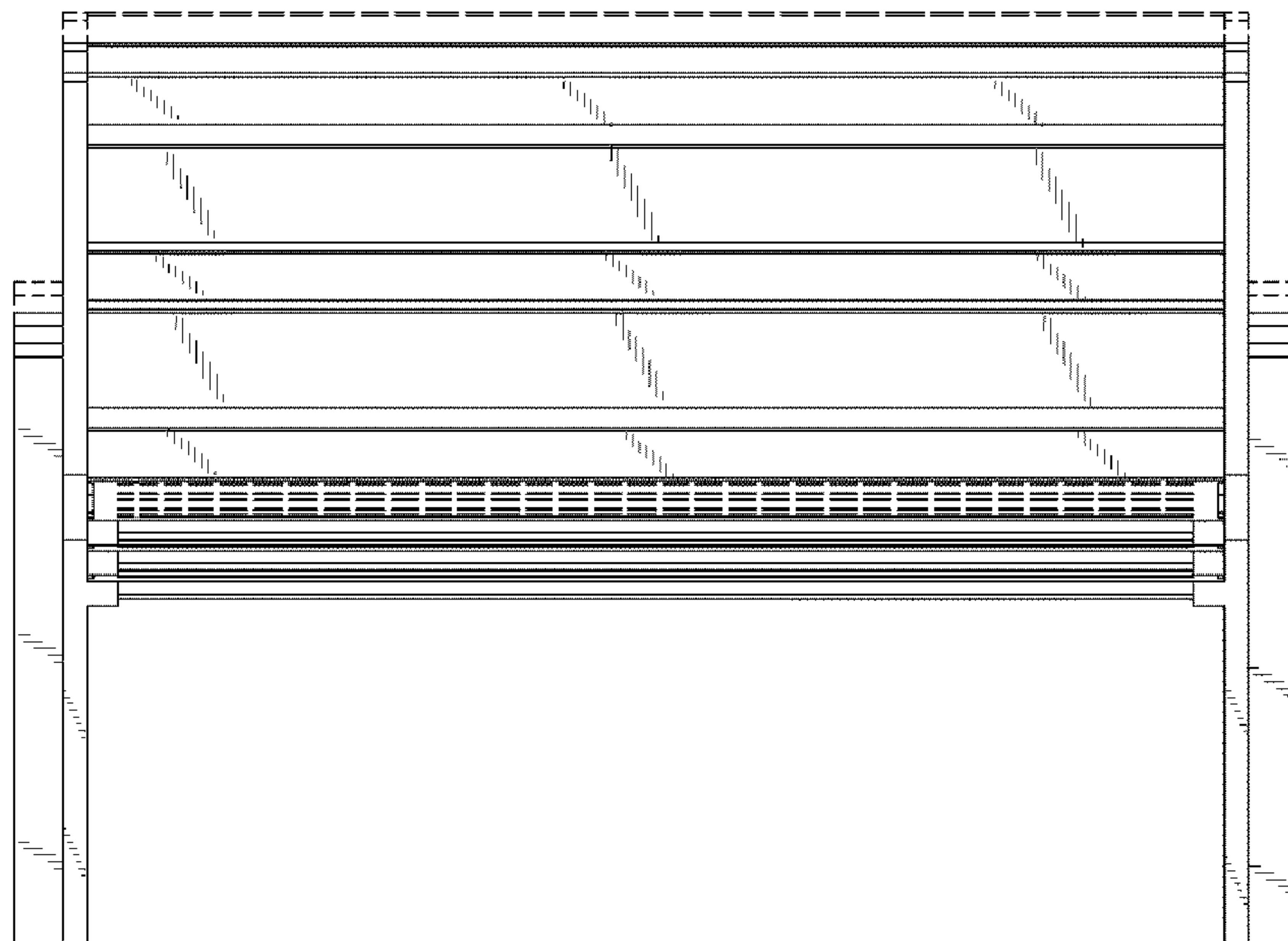
*FIG. 25*



*FIG. 26*



*FIG. 27*



*FIG. 28*